

# Dimension Drawings

## SINAMICS G130 Drive Converter Chassis Units

## Power components

	Line voltage		Order No	Dimension drawing Page		
Line filters	380 - 480 V		6SL3000-0BE32-5AA0	3		
			6SL3000-0BE34-4AA0	3		
			6SL3000-0BE36-0AA0	3		
			6SL3000-0BE41-2AA0	3		
	500 - 690 V		6SL3000-0BG32-5AA0	4		
			6SL3000-0BG34-4AA0	4		
			6SL3000-0BG36-0AA0	4		
			6SL3000-0BG41-2AA0	4		
Line harmonics filters LHF	380 - 480 V		6SL3000-0JE36-1AA0	5		
			6SL3000-0JE38-4AA0	6		
			6SL3000-0JE41-0AA0	7		
	500 - 690 V		6SL3000-0JH33-3AA0	5		
			6SL3000-0JH34-7AA0	6		
			6SL3000-0JH35-8AA0	7		
			6SL3000-0JH38-1AA0	7		
	Line reactors	380 - 480 V		6SL3000-0CE32-3AA0	8	
			6SL3000-0CE32-8AA0	8		
			6SL3000-0CE33-3AA0	8		
			6SL3000-0CE35-1AA0	8		
			6SL3000-0CE36-3AA0	8		
			6SL3000-0CE37-7AA0	8		
			6SL3000-0CE38-7AA0	8		
			6SL3000-0CE41-0AA0	8		
500 - 690 V			6SL3000-0CH31-1AA0	9		
			6SL3000-0CH31-6AA0	9		
			6SL3000-0CH32-2AA0	9		
			6SL3000-0CH32-7AA0	9		
			6SL3000-0CH33-4AA0	9		
			6SL3000-0CH34-8AA0	9		
			6SL3000-0CH36-0AA0	9		
			6SL3000-0CH38-4AA0	9		
		Braking resistors	380 - 480 V	25 kW	6SL3000-1BE31-3AA0	10
				50 kW	6SL3000-1BE32-5AA0	11
500 - 690 V	50 kW		6SL3000-1BF32-5AA0	11		
	25 kW		6SL3000-1BH31-3AA0	10		
	50 kW		6SL3000-1BH32-5AA0	11		
Motor reactors	380 - 480 V		6SL3000-2BE32-1AA0	12		
			6SL3000-2BE32-6AA0	12		
			6SL3000-2BE33-2AA0	12		
			6SL3000-2BE33-8AA0	12		
			6SL3000-2BE35-0AA0	12		
			6SL3000-2AE36-1AA0	12		
			6SL3000-2AE38-4AA0	12		
			6SL3000-2AE41-0AA0	12		
		500 - 690 V		6SL3000-2AH31-0AA0	13	
				6SL3000-2AH31-5AA0	13	
			6SL3000-2AH31-8AA0	13		
			6SL3000-2AH32-4AA0	13		
			6SL3000-2AH32-6AA0	13		
			6SL3000-2AH33-6AA0	14		
			6SL3000-2AH34-5AA0	14		
			6SL3000-2AH34-7AA0	14		
			6SL3000-2AH35-8AA0	14		
			6SL3000-2AH38-1AA0	14		

# Dimension Drawings

## SINAMICS G130 Drive Converter Chassis Units

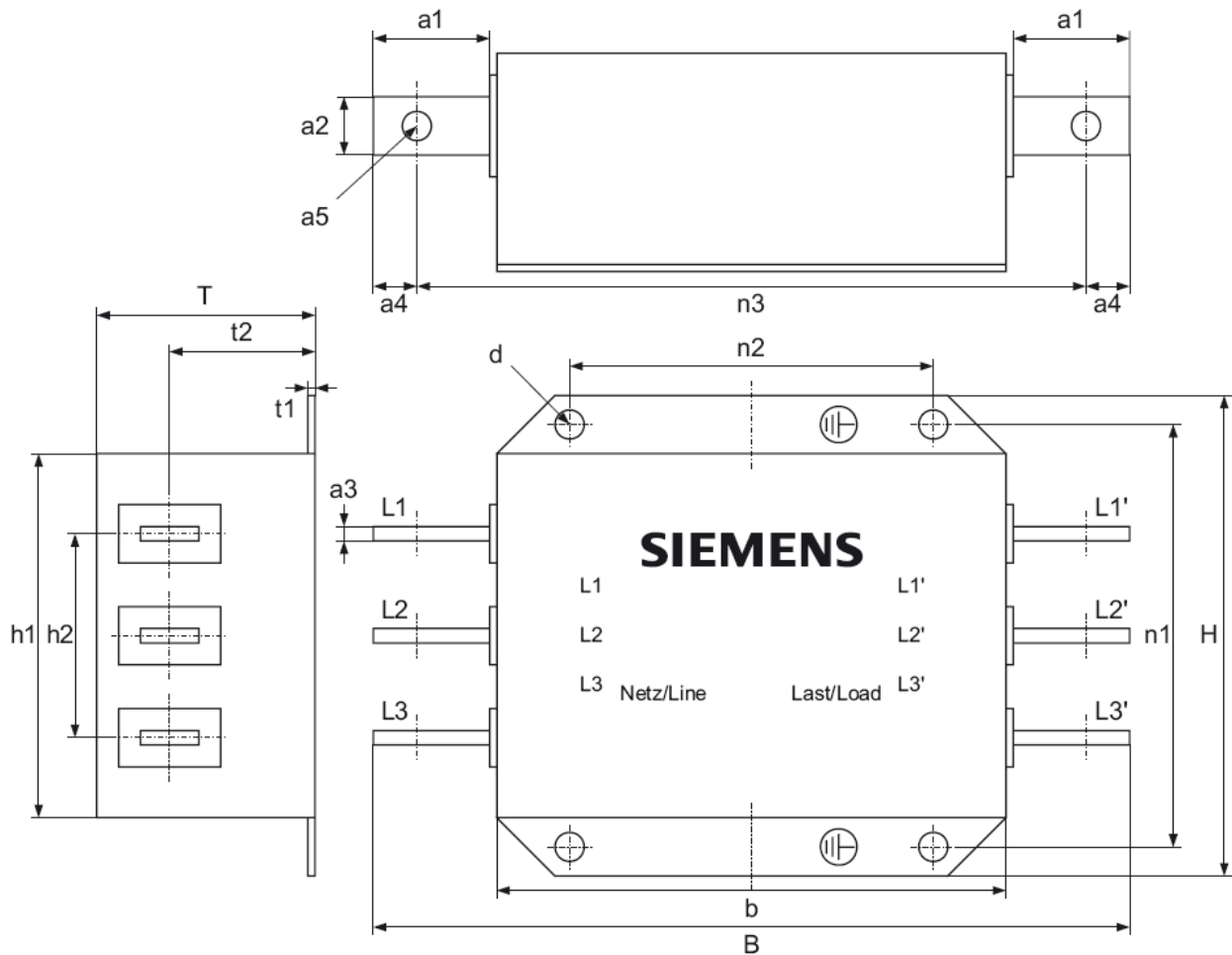
## Power components

	Line voltage		Order No	Dimension drawing Page
dv/dt filters plus VPL	380 - 480 V		6SL3000-2DE32-6AA0	15 / 16 / 17
			6SL3000-2DE35-0AA0	15 / 16 / 17
			6SL3000-2DE38-4AA0	15 / 16 / 17
			6SL3000-2DE41-4AA0	15 / 16 / 17
	500 - 690 V		6SL3000-2DH31-0AA0	18 / 19 / 20
			6SL3000-2DH31-5AA0	18 / 19 / 20
			6SL3000-2DH32-2AA0	18 / 19 / 20
			6SL3000-2DH33-3AA0	18 / 19 / 20
			6SL3000-2DH34-1AA0	18 / 19 / 20
			6SL3000-2DH35-8AA0	18 / 19 / 20
	6SL3000-2DH38-1AA0	18 / 19 / 20		
dv/dt filters compact plus VPL	380 - 480 V	260 A	6SL3000-2DE32-6EA0	21
		490 A	6SL3000-2DE35-0EA0	22
		840 A	6SL3000-2DE38-4EA0	23
		1405 A	6SL3000-2DE41-4EA0	24 / 25
	500 - 690 V	100 A	6SL3000-2DG31-0EA0	21
		150 A	6SL3000-2DG31-5EA0	21
		215 A	6SL3000-2DG32-2EA0	22
		330 A	6SL3000-2DG33-3EA0	22
		410 A	6SL3000-2DG34-1EA0	23
		575 A	6SL3000-2DG35-8EA0	23
	810 A	6SL3000-2DG38-1EA0	24 / 25	
Sine-wave filters	380 - 480 V		6SL3000-2CE32-3AA0	26
			6SL3000-2CE32-8AA0	26
			6SL3000-2CE33-3AA0	26
			6SL3000-2CE34-1AA0	26
	500 - 600 V		6SL3000-2CF31-7AA0	26

## SINAMICS G130 Drive Converter Chassis Units

Line filters

Line voltage 380 - 480 V



### 3 AC 380 V – 480 V

	6SL3000-0BE32-5AA0	6SL3000-0BE34-4AA0	6SL3000-0BE36-0AA0	6SL3000-0BE41-2AA0
B	360	360	400	425
H	240	240	265	265
T	116	116	140	145
a1	40	40	40	50
a2	25	25	25	50
a3	5	5	8	10
a4	15	15	15	20
a5	11	11	11	14
b	270	270	310	300
h1	200	200	215	215
h2	100	100	120	142
t1	2	2	2,5	2,5
t2	78,2	78,2	90	91
n1 <sup>1)</sup>	220	220	240	240
n2 <sup>1)</sup>	210	210	250	255
n3	330	330	370	385
d	9	9	12	12

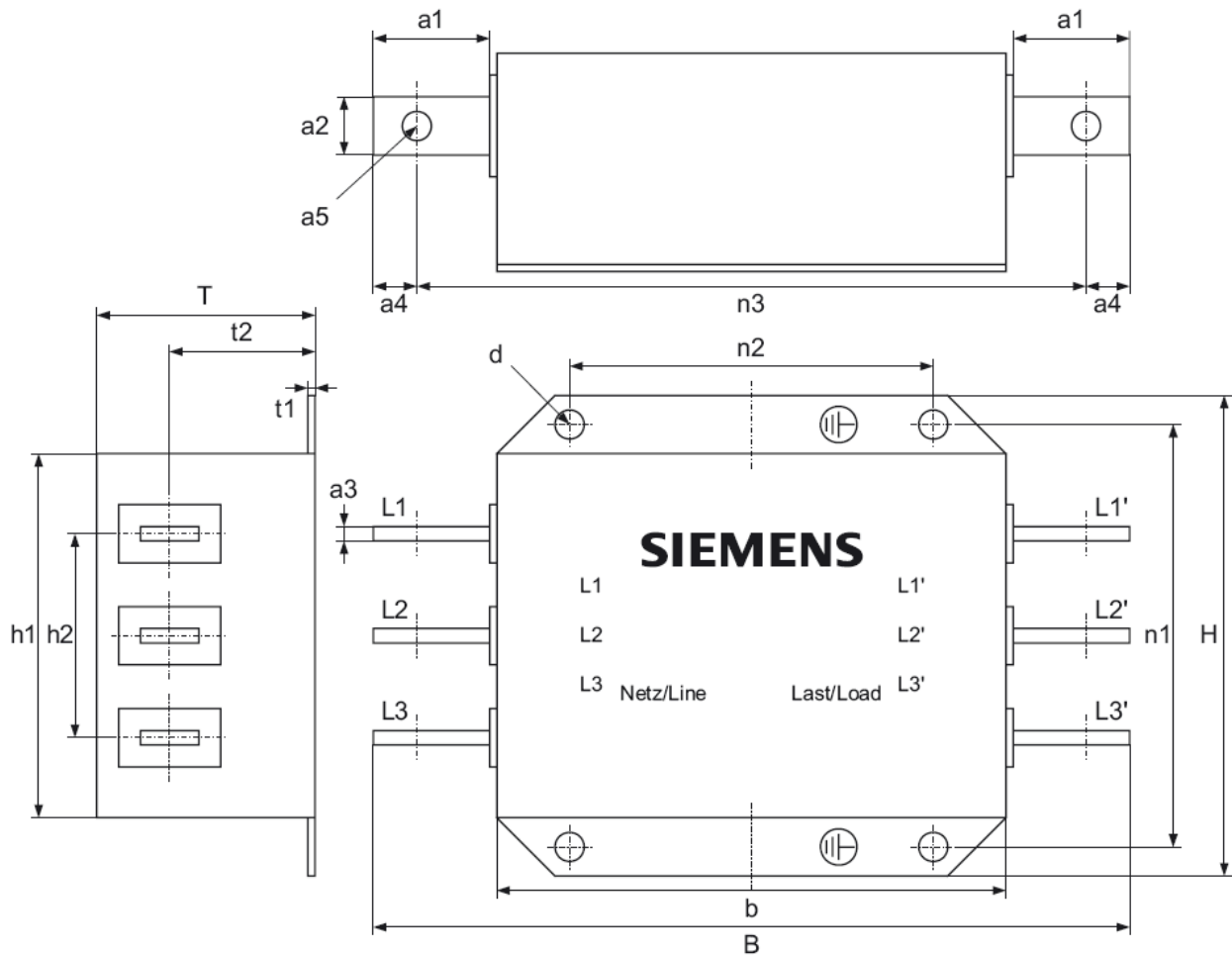
<sup>1)</sup> Dimensions n1 and n2 correspond to the drill hole spacing

All specifications in mm

## SINAMICS G130 Drive Converter Chassis Units

Line filters

Line voltage 500 - 690 V



### 3 AC 500 V – 690 V

	6SL3000-0BG32-5AA0	6SL3000-0BG34-4AA0	6SL3000-0BG36-0AA0	6SL3000-0BG41-2AA0
B	360	360	400	425
H	240	240	265	265
T	116	116	140	145
a1	40	40	40	50
a2	25	25	25	50
a3	5	5	8	10
a4	15	15	15	20
a5	11	11	11	14
b	270	270	310	300
h1	200	200	215	215
h2	100	100	120	142
t1	2	2	2,5	2,5
t2	78,2	78,2	90	91
n1 <sup>1)</sup>	220	220	240	240
n2 <sup>1)</sup>	210	210	250	255
n3	330	330	370	385
d	9	9	12	12

<sup>1)</sup> Dimensions n1 and n2 correspond to the drill hole spacing

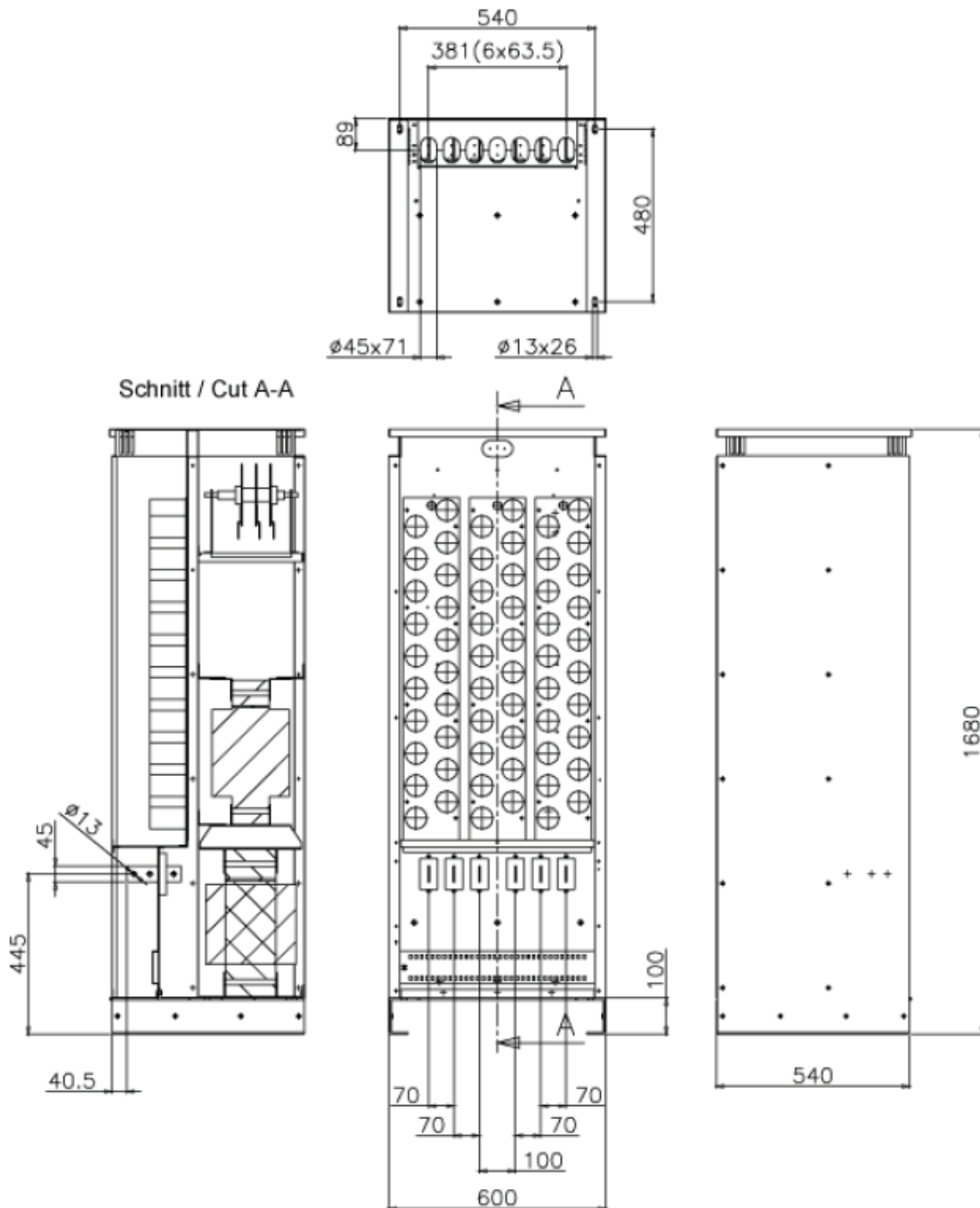
All specifications in mm

## SINAMICS G130 Drive Converter Chassis Units

Line voltage 380 - 480 V  
500 - 690 V

## Line harmonics filters

6SL3000-0JE36-1AA0  
6SL3000-0JH33-3AA0



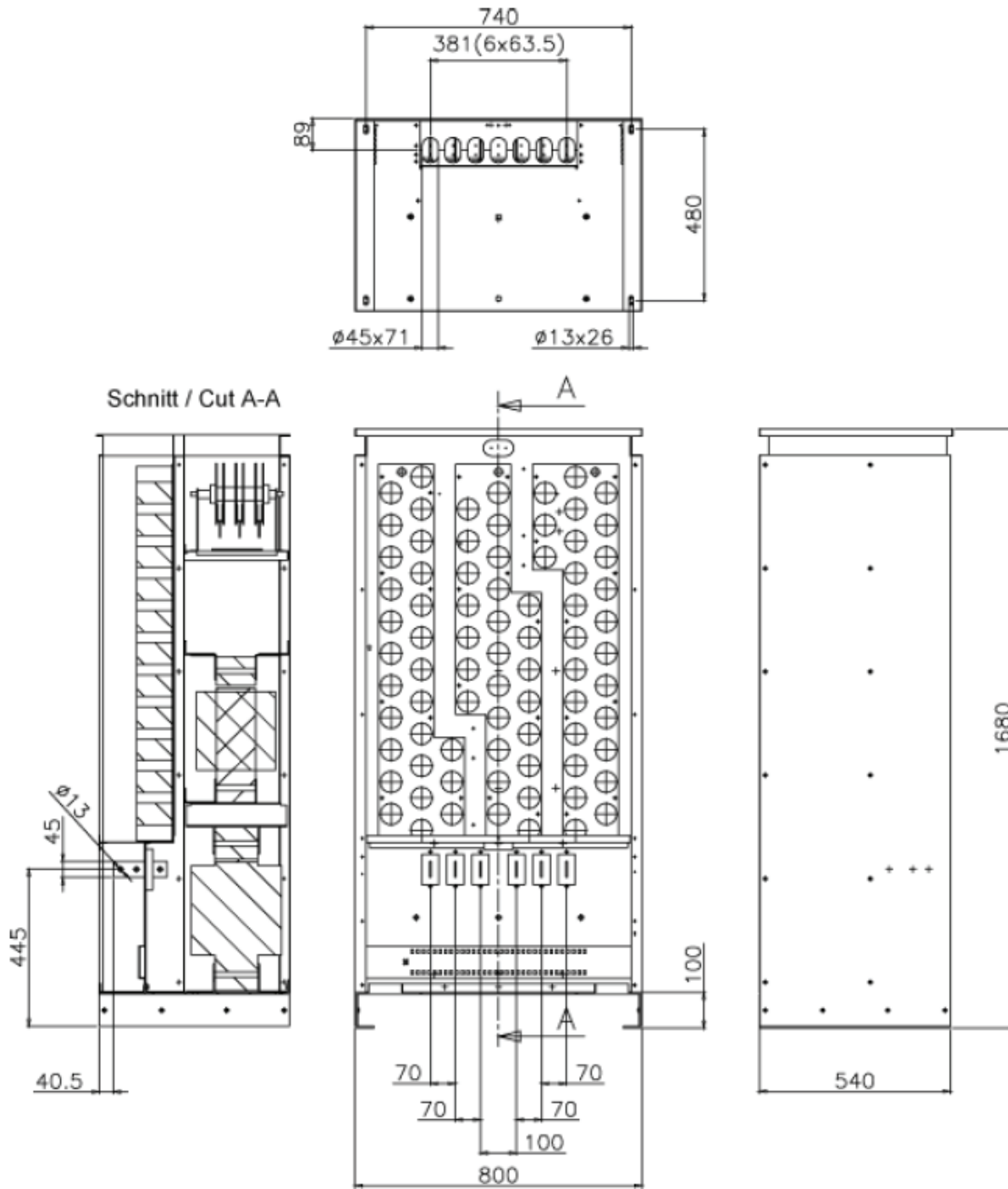
All specifications in mm

## SINAMICS G130 Drive Converter Chassis Units

Line voltage 380 - 480 V  
500 - 690 V

## Line harmonics filters

6SL3000-0JE38-4AA0  
6SL3000-0JH34-7AA0



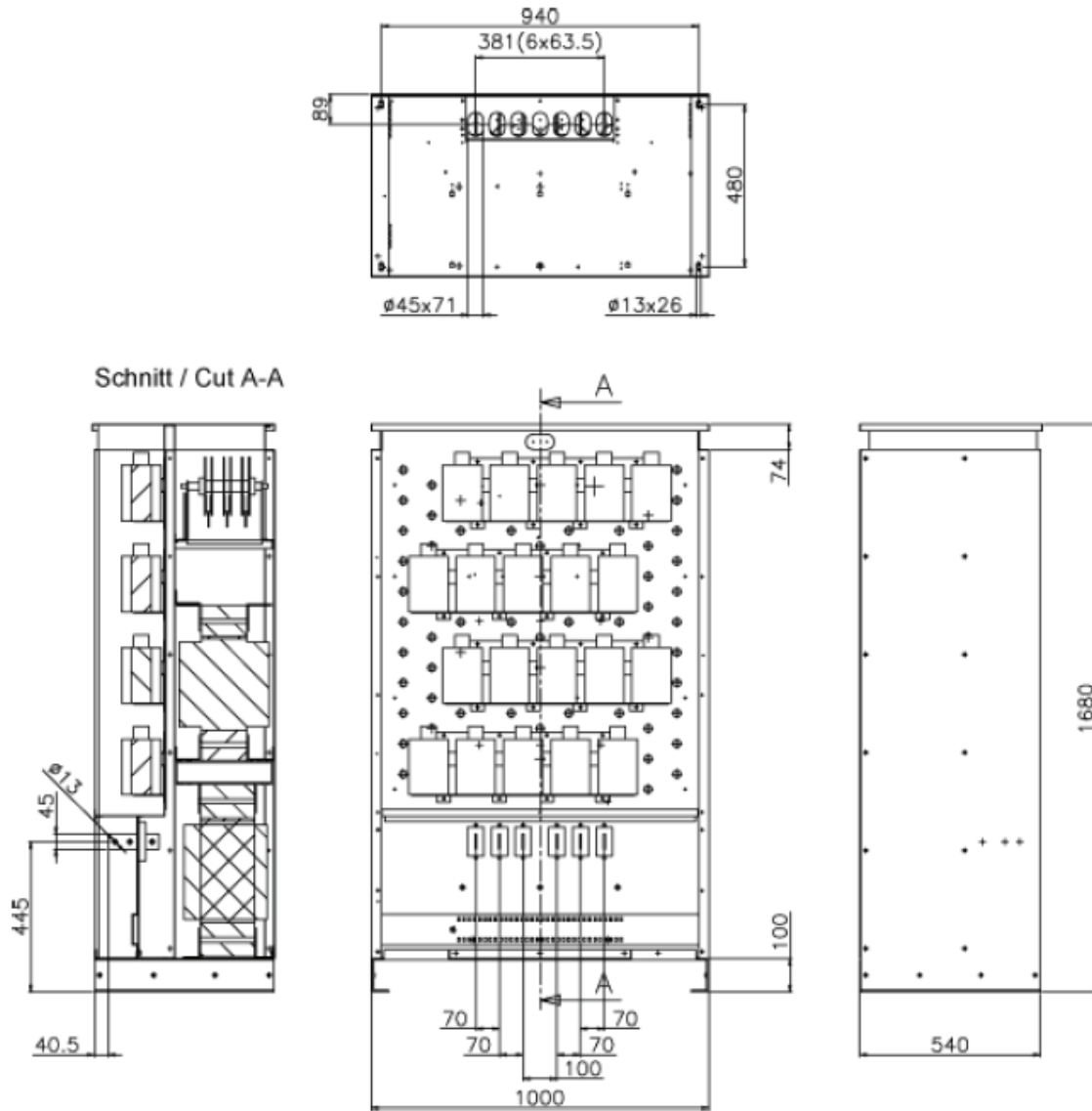
All specifications in mm

## SINAMICS G130 Drive Converter Chassis Units

Line voltage 380 - 480 V  
500 - 690 V

### Line harmonics filters

6SL3000-0JE41-0AA0  
6SL3000-0JH35-8AA0  
6SL3000-0JH38-1AA0

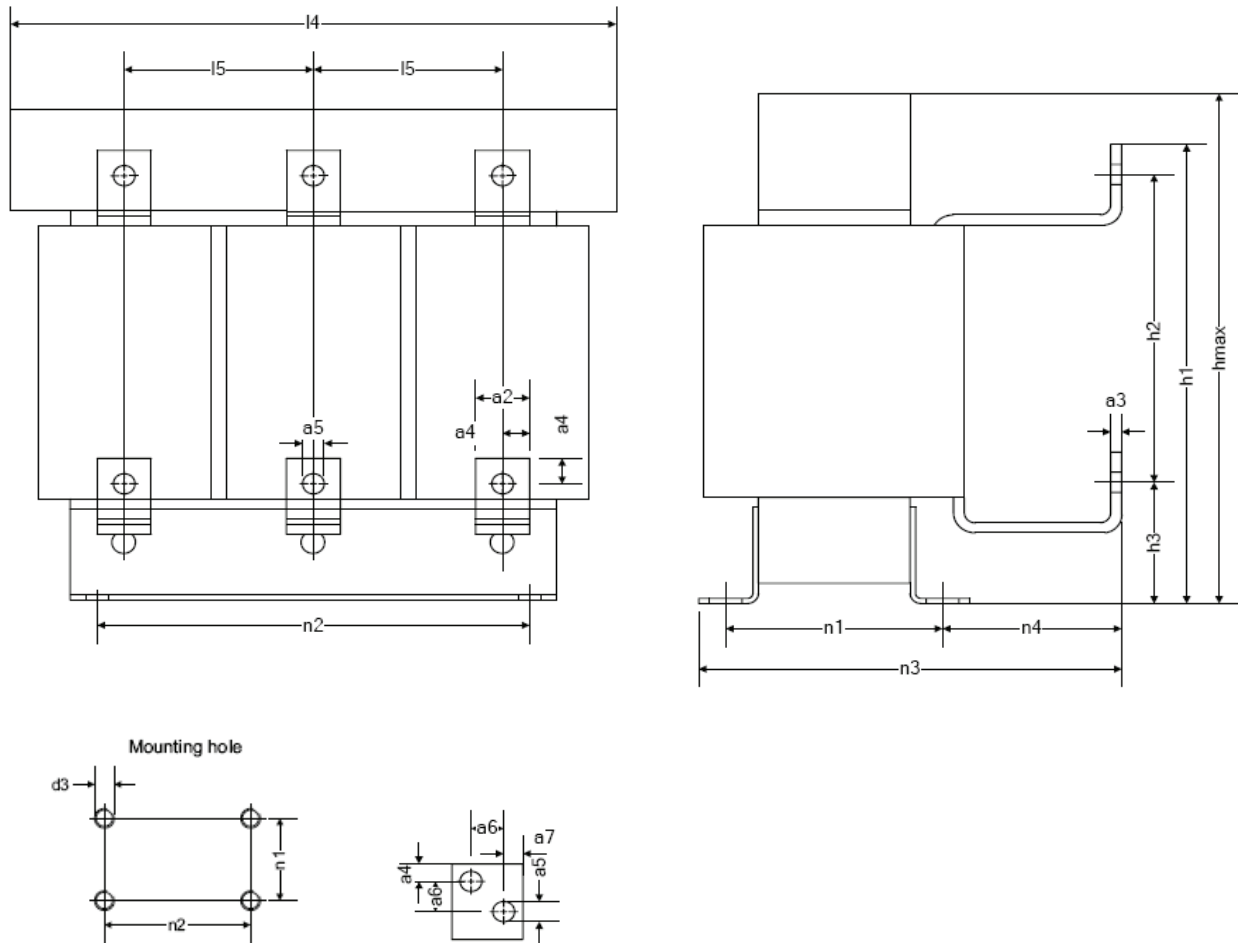


All specifications in mm

## SINAMICS G130 Drive Converter Chassis Units

Line reactors

Line voltage 380 - 480 V



### 3 AC 380 V – 480 V

	6SL3000-0CE32-3AA0 6SL3000-0CE32-8AA0 6SL3000-0CE33-3AA0	6SL3000-0CE35-1AA0 6SL3000-0CE36-3AA0 6SL3000-0CE37-7AA0	6SL3000-0CE38-7AA0	6SL3000-0CE41-0AA0
a2	25	30	40	50
a3	5	6	8	8
a4	12,5	15	20	25
a5	11	14	14	14
l4	270	300	350	350
l5	88	100	120	120
hmax	248	269	321	321
h1			392	397
h2	150	180	252	252
h3	60	60	120	120
n1 <sup>1)</sup>	101	118	138	138
n2 <sup>1)</sup>	200	224	264	264
n3	200	212,5	211,5	211,5
n4	84,5	81	60	60
d3	M8	M8	M8	M8

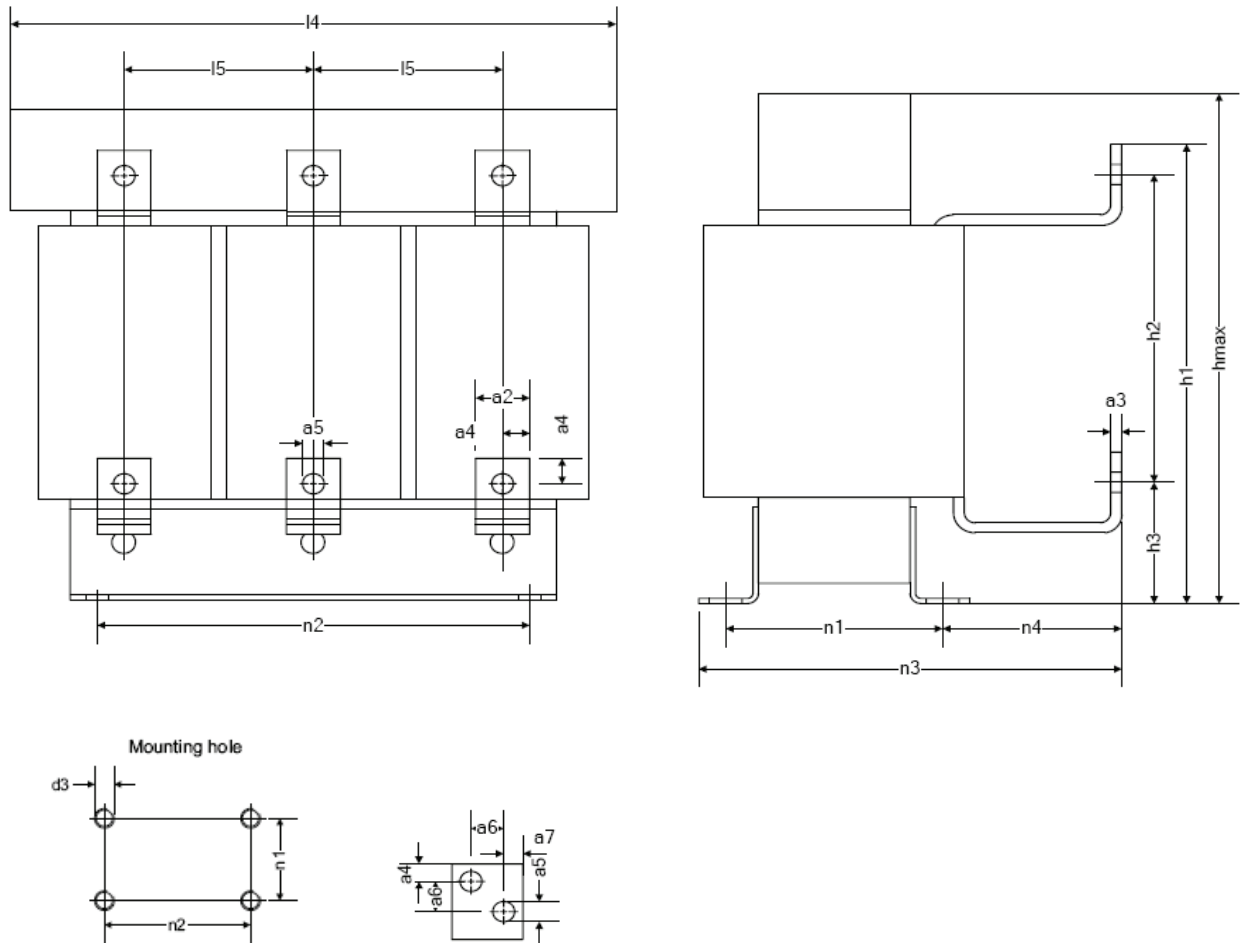
<sup>1)</sup> Dimensions n1 and n2 correspond to the drill hole spacing  
All specifications in mm



## SINAMICS G130 Drive Converter Chassis Units

Line reactors

Line voltage 500 - 690 V



### 3 AC 500 V – 690 V

	6SL3000-0CH31-1AA0 6SL3000-0CH31-6AA0 6SL3000-0CH32-2AA0 6SL3000-0CH32-7AA0 6SL3000-0CH33-4AA0	6SL3000-0CH34-8AA0 6SL3000-0CH36-0AA0	6SL3000-0CH38-4AA0
a2	25	30	40
a3	5	6	8
a4	12,5	15	20
a5	11	14	14
l4	270	350	410
l5	88	120	135
hmax	248	321	385
h1	-	-	392
h2	150	198	252
h3	60	75	120
n1 <sup>1)</sup>	101	138	141
n2 <sup>1)</sup>	200	264	316
n3	200	232,5	224
n4	84,5	81	56,5
d3	M8	M8	M10

<sup>1)</sup> Dimensions n1 and n2 correspond to the drill hole spacing

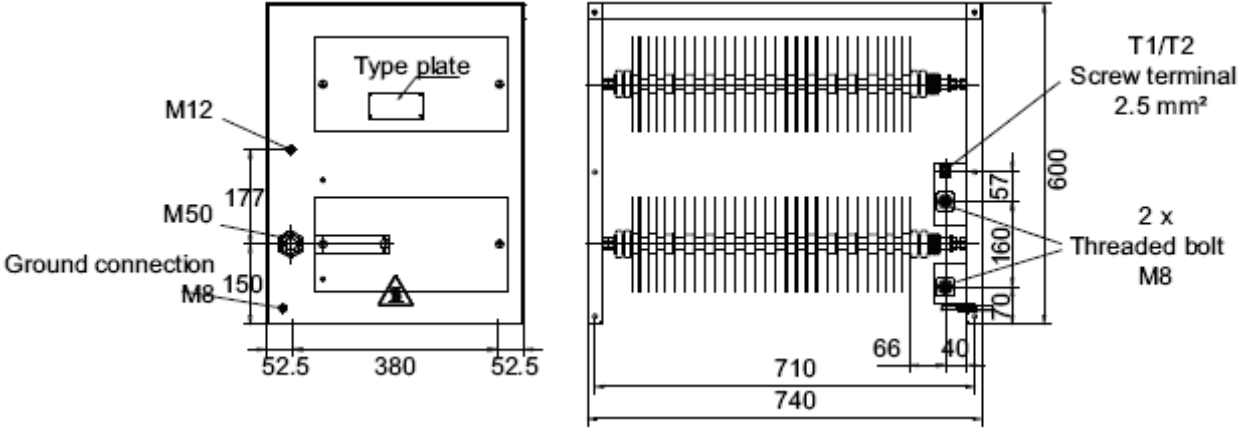
All specifications in mm

SINAMICS G130 Drive Converter Chassis Units

Line voltage 380 - 480 V  
660 - 690 V

25 kW  
25 kW

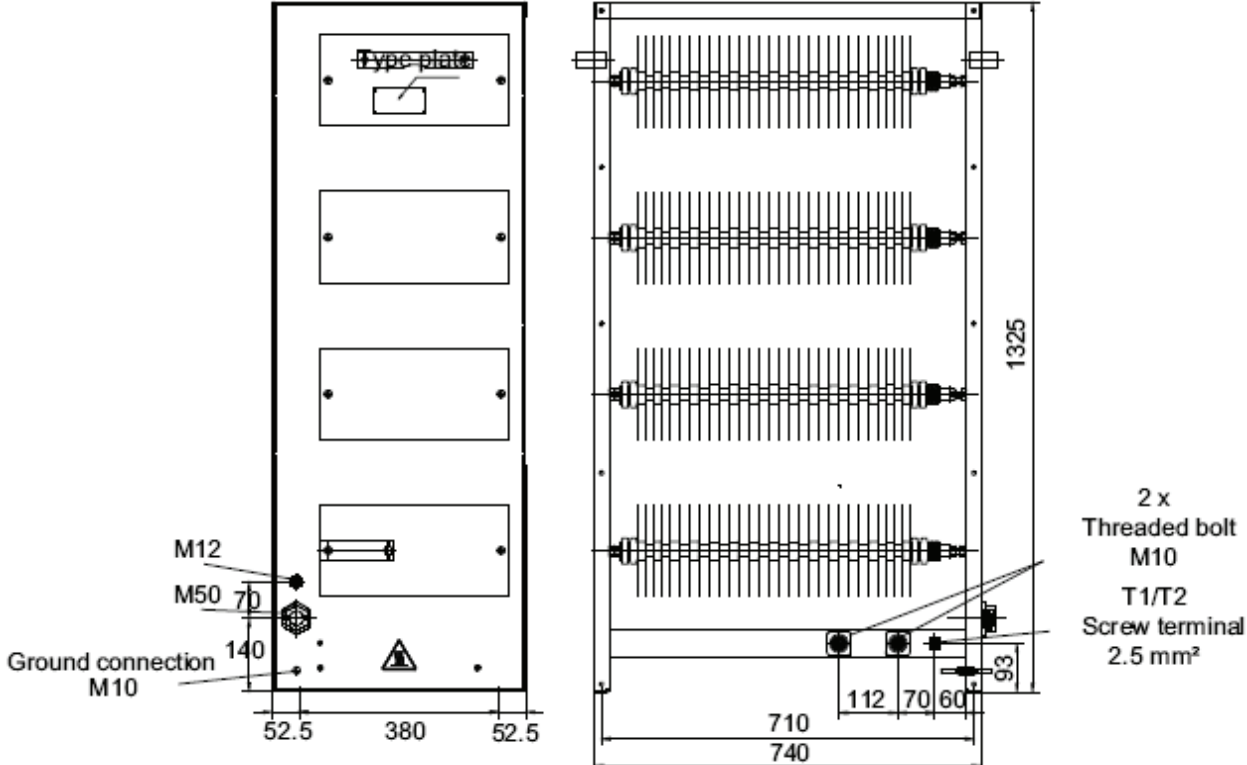
**Braking resistor**  
6SL3000-1BE31-3AA0  
6SL3000-1BH31-3AA0



All specifications in mm

SINAMICS G130 Drive Converter Chassis Units

Line voltage	380 - 480 V	50 kW	<b>Braking resistor</b> 6SL3000-1BE32-5AA0
	500 - 600 V	50 kW	6SL3000-1BF32-5AA0
	660 - 690 V	50 kW	6SL3000-1BH32-5AA0

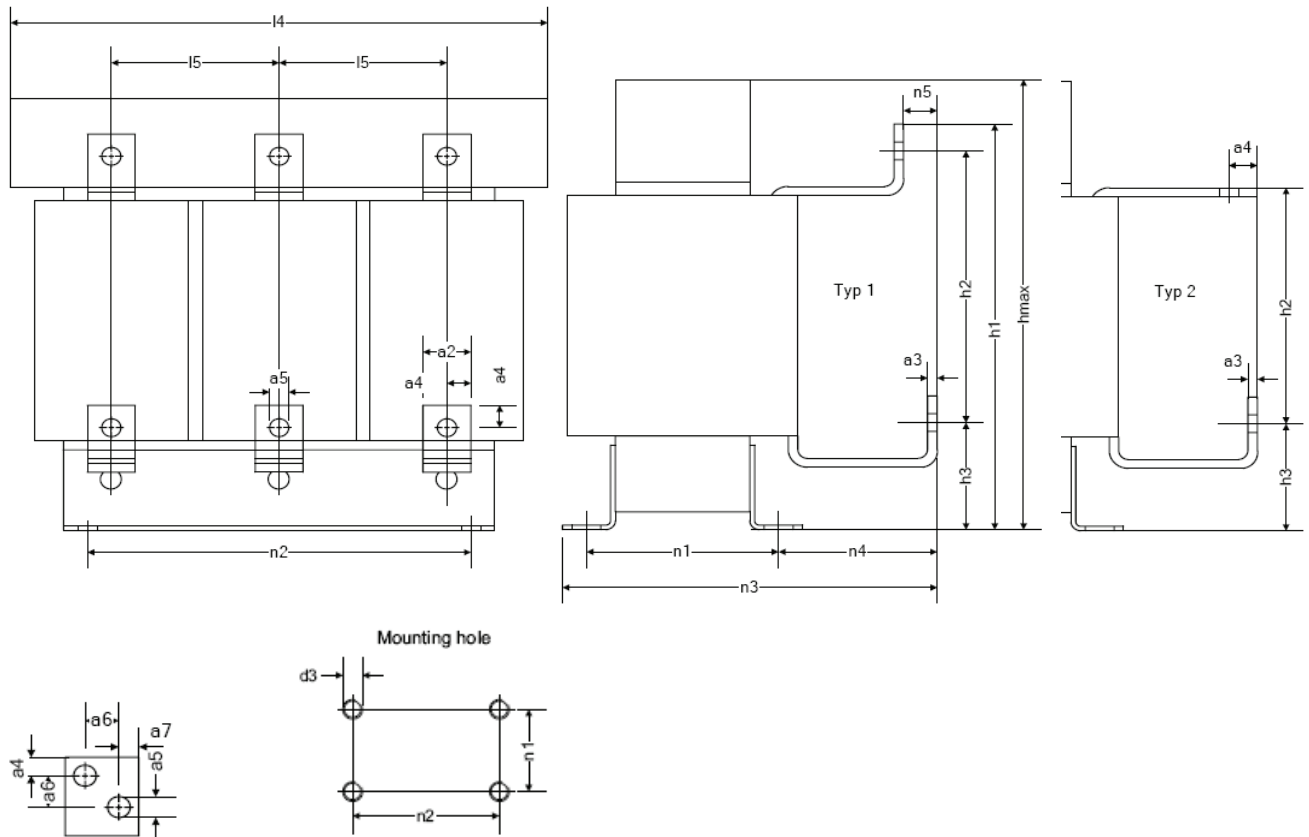


All specifications in mm

## SINAMICS G130 Drive Converter Chassis Units

Motor reactors

Line voltage 380 - 480 V



### 3 AC 380 V – 480 V

	6SL3000-2BE32-1AA0	6SL3000-2BE32-6AA0	6SL3000-2BE33-2AA0	6SL3000-2BE33-8AA0	6SL3000-2BE35-0AA0	6SL3000-2AE36-1AA0	6SL3000-2AE38-4AA0	6SL3000-2AE41-0AA0
Typ	1	1	1	1	2	1	1	1
a2	25	25	25	25	30	40	40	40
a3	5	5	5	5	6	8	8	8
a4	12,5	12,5	12,5	12,5	15	20	20	20
a5	11	11	11	11	14	14	14	14
a6	-	-	-	-	-	-	-	-
a7	-	-	-	-	-	-	-	-
l4	300	300	300	300	300	410	410	410
l5	100	100	100	100	100	140	140	140
hmax	285	315	285	285	365	385	385	385
h1	-	-	-	-	-	392	392	392
h2	194	227	194	194	245	252	252	252
h3	60	60	60	60	60	120	120	120
n1 <sup>1)</sup>	163	183	163	183	183	191	191	206
n2 <sup>1)</sup>	224	224	224	224	224	316	316	316
n3	257	277	257	277	277	292	292	302
n4	79	79	79	79	79	84,5	84,5	79,5
n5	-	-	-	-	-	30	30	-
d3	M8	M8	M8	M8	M8	M10	M10	M10

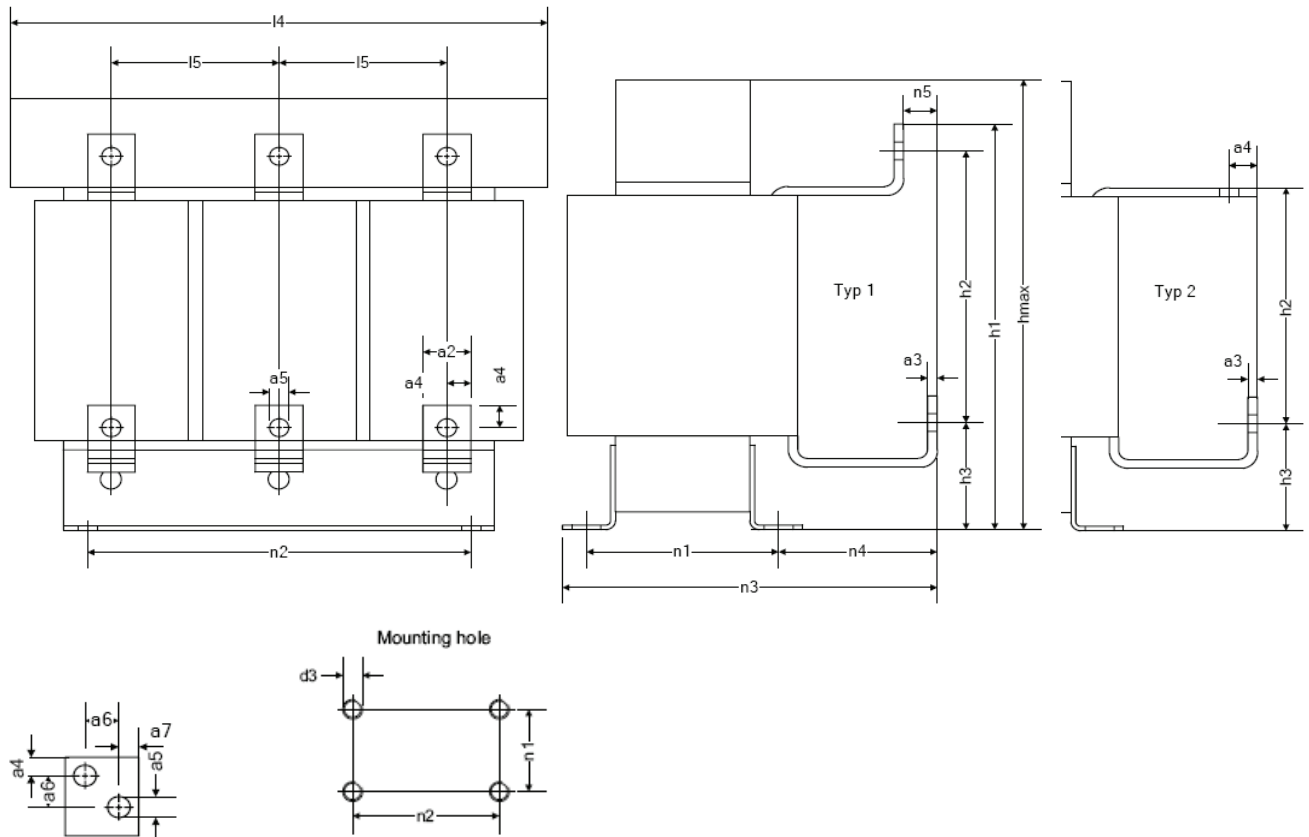
<sup>1)</sup> Dimensions n1 and n2 correspond to the drill hole spacing

All specifications in mm

## SINAMICS G130 Drive Converter Chassis Units

Motor reactors

Line voltage 500 - 690 V



### 3 AC 500 V – 690 V

	6SL3000-2AH31-0AA0	6SL3000-2AH31-5AA0	6SL3000-2AH31-8AA0	6SL3000-2AH32-4AA0	6SL3000-2AH32-6AA0
<b>Typ</b>	1	1	1	1	1
a2	25	25	25	25	25
a3	5	5	5	5	5
a4	12,5	12,5	12,5	12,5	12,5
a5	11	11	11	11	11
a6	-	-	-	-	-
a7	-	-	-	-	-
l4	270	270	300	300	300
l5	88	88	100	100	100
hmax	248	248	285	285	285
h1	-	-	-	-	-
h2	150	150	194	194	194
h3	60	60	60	60	60
n1 <sup>1)</sup>	103	103	118	118	118
n2 <sup>1)</sup>	200	200	224	224	224
n3	200	200	212	212	212
n4	82	82	79	79	79
n5	-	-	-	-	-
d3	M8	M8	M8	M8	M8

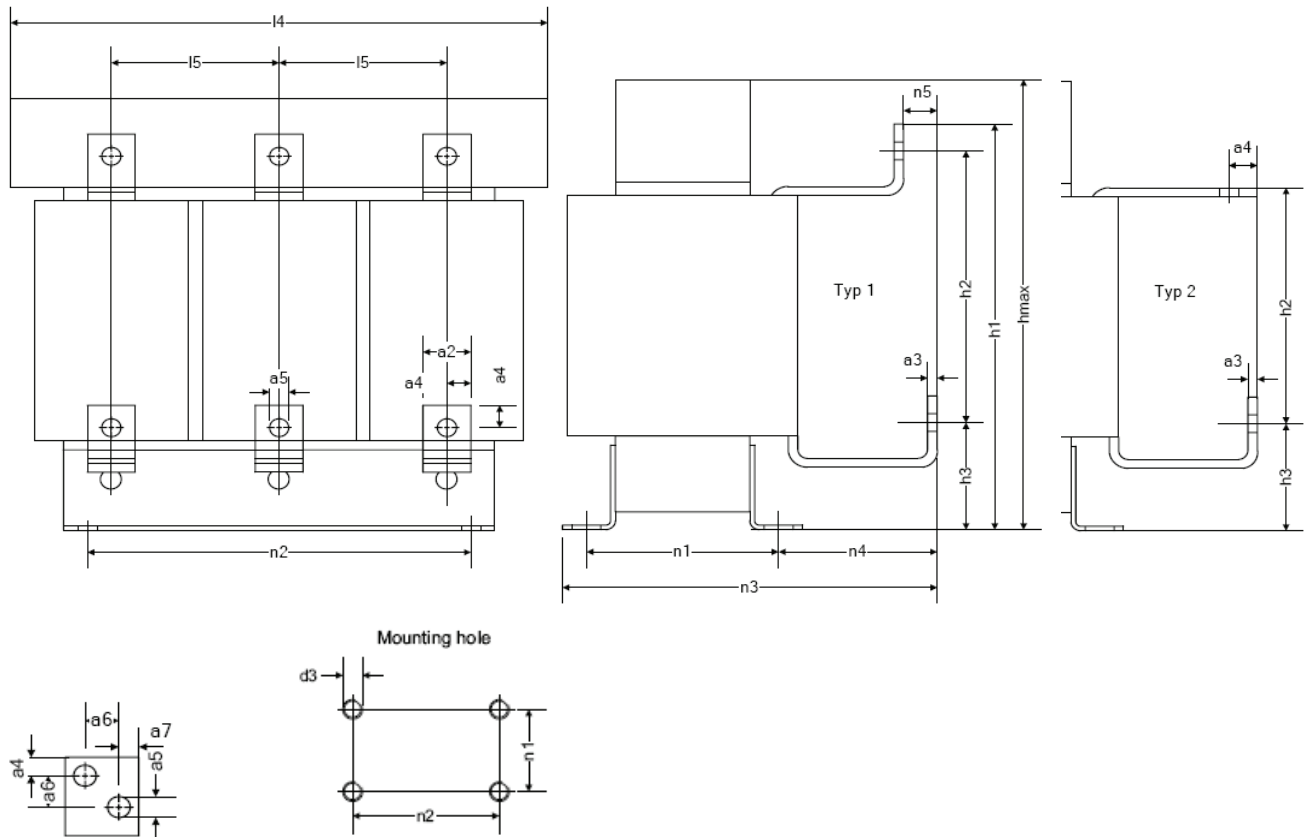
<sup>1)</sup> Dimensions n1 and n2 correspond to the drill hole spacing

All specifications in mm

## SINAMICS G130 Drive Converter Chassis Units

Motor reactors

Line voltage 500 - 690 V



### 3 AC 500 V – 690 V

	6SL3000-2AH33-6AA0	6SL3000-2AH34-5AA0	6SL3000-2AH34-7AA0	6SL3000-2AH35-8AA0	6SL3000-2AH38-1AA0
<b>Typ</b>	1	1	1	1	1
a2	25	30	40	40	40
a3	5	6	8	8	8
a4	12,5	15	20	20	20
a5	11	14	14	14	14
a6	-	-	-	-	-
a7	-	-	-	-	-
$l_4$	300	350	410	410	410
$l_5$	100	120	140	140	140
$h_{max}$	285	330	385	385	385
$h_1$	-	-	392	392	392
$h_2$	194	235	252	252	252
$h_3$	60	60	120	120	120
$n_1$ <sup>1)</sup>	118	138	141	141	183
$n_2$ <sup>1)</sup>	224	264	316	316	316
$n_3$	212	215	292	292	279
$n_4$	79	63	134,5	134,5	79,5
$n_5$	-	-	30	30	-
$d_3$	M8	M8	M10	M10	M10

<sup>1)</sup> Dimensions  $n_1$  and  $n_2$  correspond to the drill hole spacing

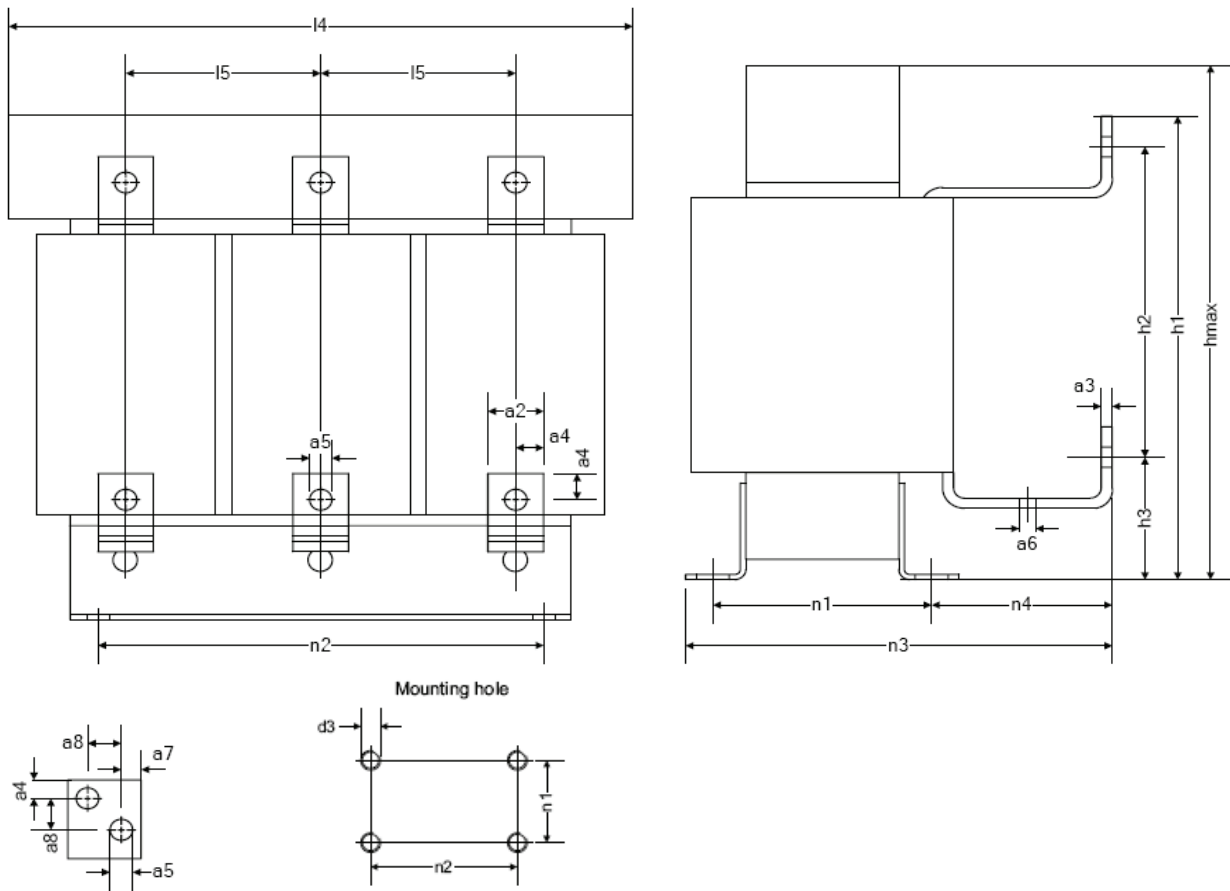
All specifications in mm

## SINAMICS G130 Drive Converter Chassis Units

Line voltage 380 - 480 V

dv/dt filters plus VPL

### dv/dt reactor



dv/dt filter plus VPL	6SL3000-2DE32-6AA0	6SL3000-2DE35-0AA0	6SL3000-2DE38-4AA0	6SL3000-2DE41-4AA0
dv/dt reactor	6SL3000-2DE32-6CA0	6SL3000-2DE35-0CA0	6SL3000-2DE38-4CA0	6SL3000-2DE41-4DA0
a2	25	30	40	60
a3	5	6	8	10
a4	14	17	22	19
a5	10,5 x 14	14 x 18	14 x 18	14 x 18
a6	7	9	11	11
a7	-	-	-	17
a8	-	-	-	26
l4	410	460	460	445
l5	135	152,5	152,5	145
hmax	370	370	385	385
h2	258	240	280	250
h3	76	83	78	121
n1 <sup>1)</sup>	141	182	212	212
n2 <sup>1)</sup>	316	356	356	341
n3	229	275	312	312
n4	72	71	78	78
d3	M10 (12 x 18)	M12 (15 x 22)	M12 (15 x 22)	M12 (15 x 22)

<sup>1)</sup> Dimensions n1 and n2 correspond to the drill hole spacing

All specifications in mm

## SINAMICS G130 Drive Converter Chassis Units

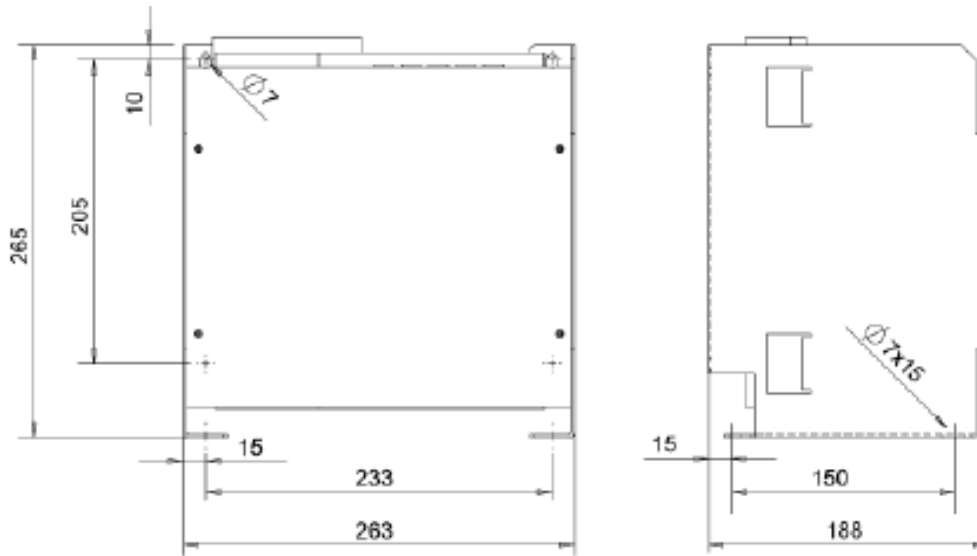
dv/dt filter plus VPL

Line voltage 380 - 480 V

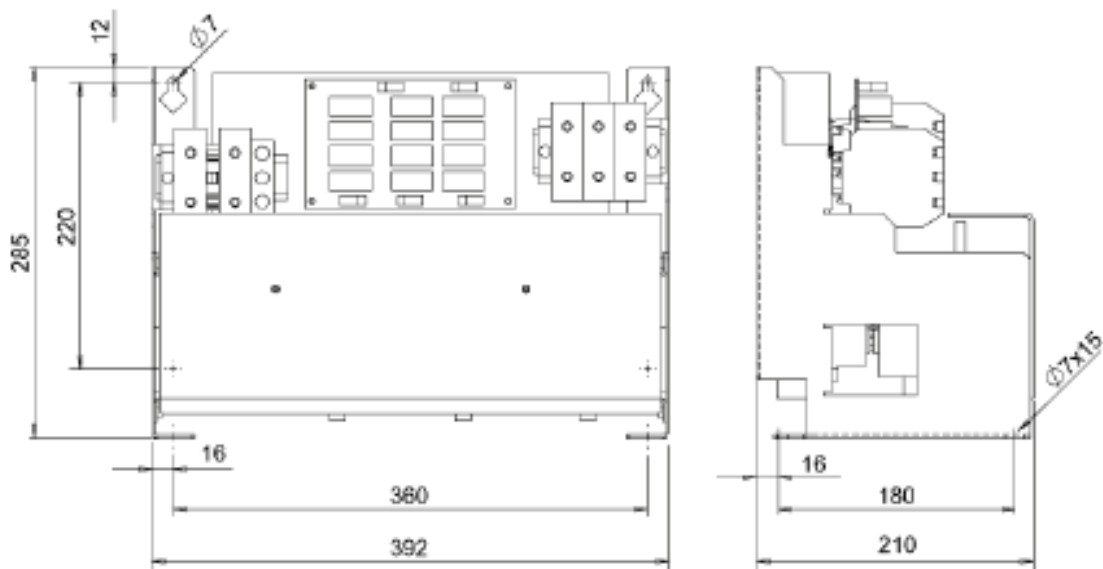
dv/dt filter plus VPL	6SL3000-2DE32-6AA0	6SL3000-2DE35-0AA0
Voltage peak limiter	6SL3000-2DE32-6BA0	6SL3000-2DE35-0BA0
Type	1	2

### Voltage peak limiter

#### Type 1



#### Type 2



All specifications in mm



## SINAMICS G130 Drive Converter Chassis Units

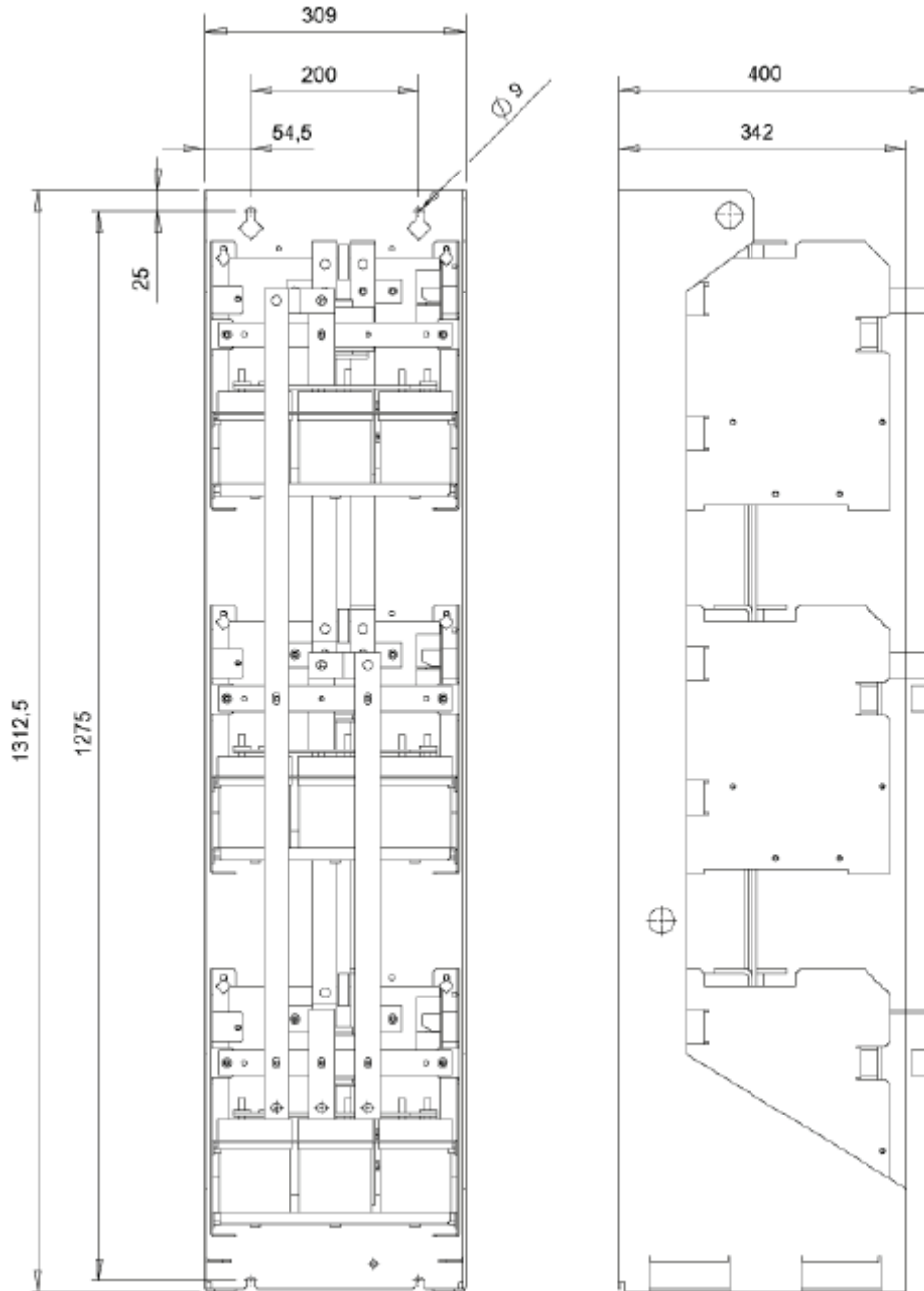
dv/dt filter plus VPL

Line voltage 3 AC 380 - 480 V

dv/dt filter plus VPL	6SL3000-2DE38-4AA0	6SL3000-2DE41-4AA0
Voltage peak limiter	6SL3000-2DE38-4BA0	6SL3000-2DE41-4BA0
Type	3	3

### Voltage peak limiter

#### Type 3

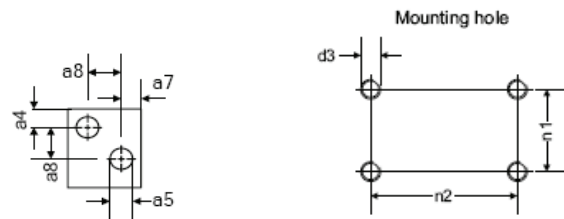
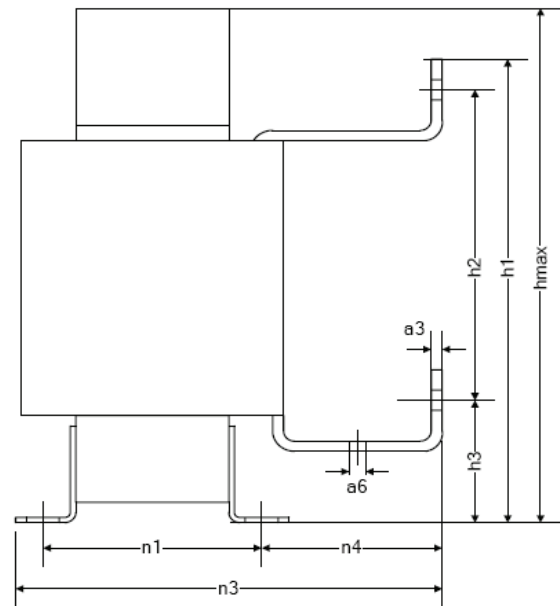
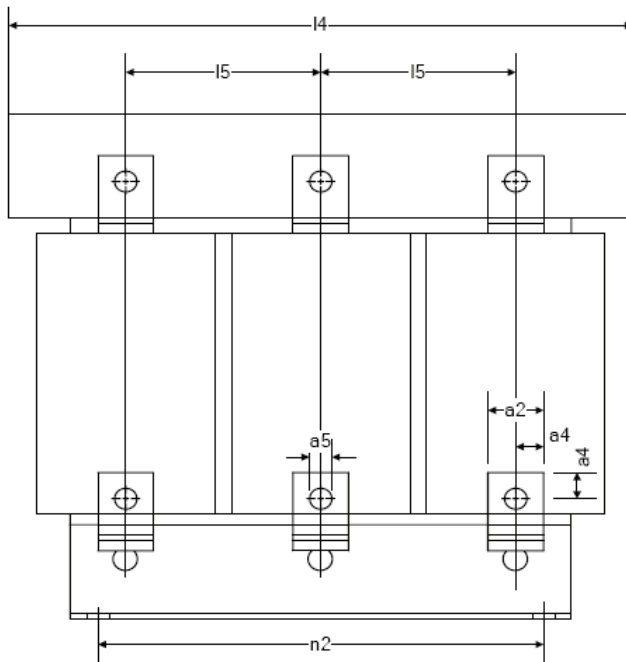


All specifications in mm

## SINAMICS G130 Drive Converter Chassis Units

Line voltage 500 - 690 V

dv/dt filter plus VPL



dv/dt reactor

### 3 AC 500 V – 690 V

dv/dt filter plus VPL	6SL3000-2DH31-0AA0	6SL3000-2DH31-5AA0	6SL3000-2DH32-2AA0	6SL3000-2DH33-3AA0	6SL3000-2DH34-1AA0	6SL3000-2DH35-8AA0	6SL3000-2DH38-1AA0
dv/dt reactor	6SL3000-2DH31-0CA0	6SL3000-2DH31-5CA0	6SL3000-2DH32-2CA0	6SL3000-2DH33-3CA0	6SL3000-2DH34-1CA0	6SL3000-2DH35-8CA0	6SL3000-2DH38-1DA0
a2	25	25	25	25	30	40	50
a3	6	6	5	5	6	8	8
a4	14	14	14	14	17	22	16
a5	10,5 x 14	10,5 x 14	10,5 x 14	10,5 x 14	14 x 18	14 x 18	14 x 18
a6	7	7	7	9	11	11	11
a7	-	-	-	-	-	-	14
a8	-	-	-	-	-	-	22
l4	350	350	460	460	460	460	445
l5	120	120	152,5	152,5	152,5	152,5	145
hmax	320	320	360	360	385	385	385
h2	215	215	240	240	280	280	255
h3	70	70	86	86	83	78	114
n1 <sup>1)</sup>	138	138	155	212	212	212	212
n2 <sup>1)</sup>	264	264	356	356	356	356	341
n3	227	227	275	275	312	312	312
n4	74	74	101	42	78	78	78
d3	M8	M8	M12 (15 x 22)	M12 (15 x 22)	M12 (15 x 22)	M12 (15 x 22)	M12 (15 x 22)

<sup>1)</sup> Dimensions n1 and n2 correspond to the drill hole spacing

All specifications in mm

## SINAMICS G130 Drive Converter Chassis Units

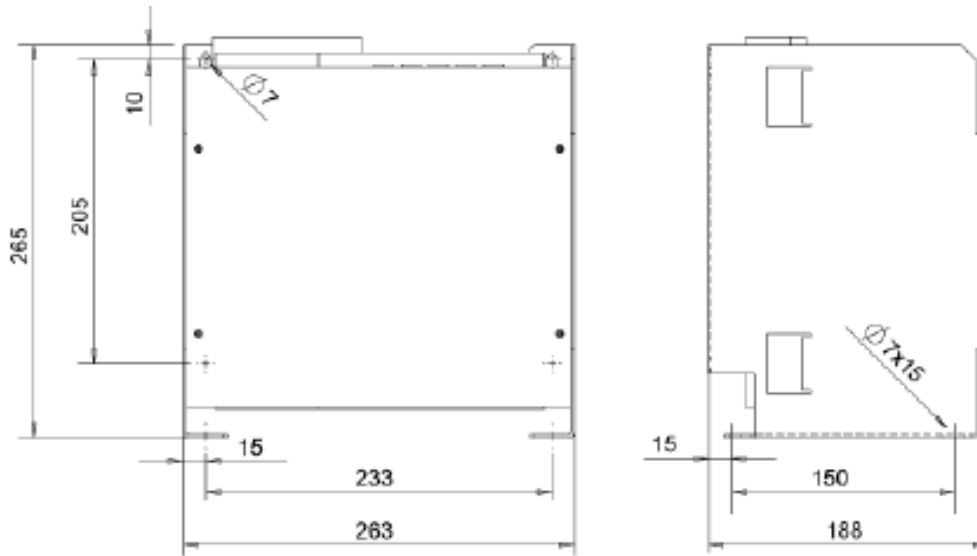
dv/dt filter plus VPL

Line voltage 500 - 690 V

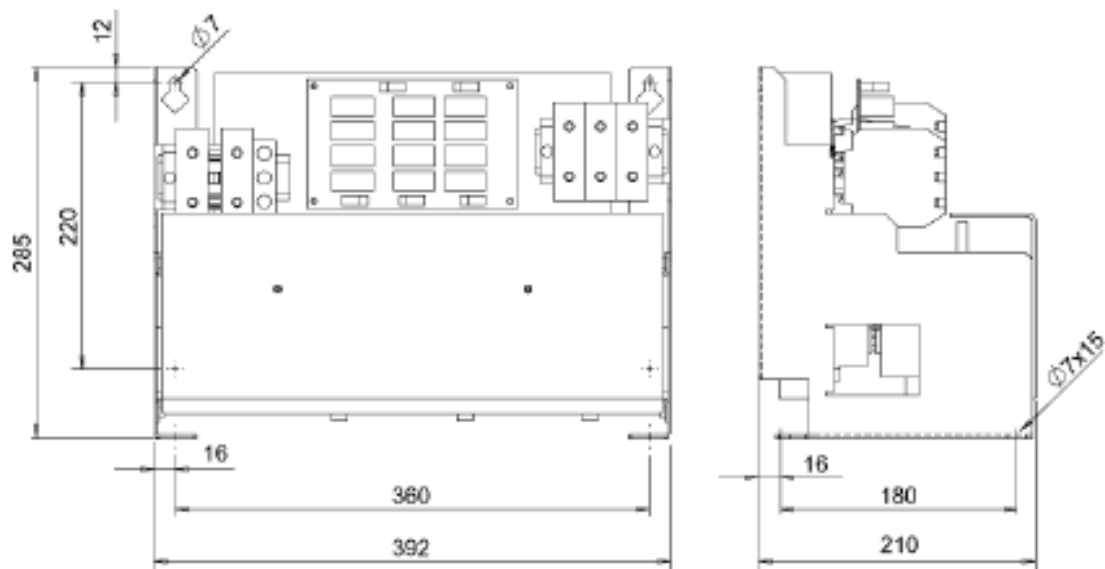
dv/dt filter plus VPL	6SL3000-2DH31-0AA0	6SL3000-2DH31-5AA0	6SL3000-2DH32-2AA0	6SL3000-2DH33-3AA0
Voltage peak limiter	6SL3000-2DH31-0BA0	6SL3000-2DH31-5BA0	6SL3000-2DH32-2BA0	6SL3000-2DH33-3BA0
Type	1	1	2	2

### Voltage peak limiter

#### Type 1



#### Type 2



All specifications in mm

## SINAMICS G130 Drive Converter Chassis Units

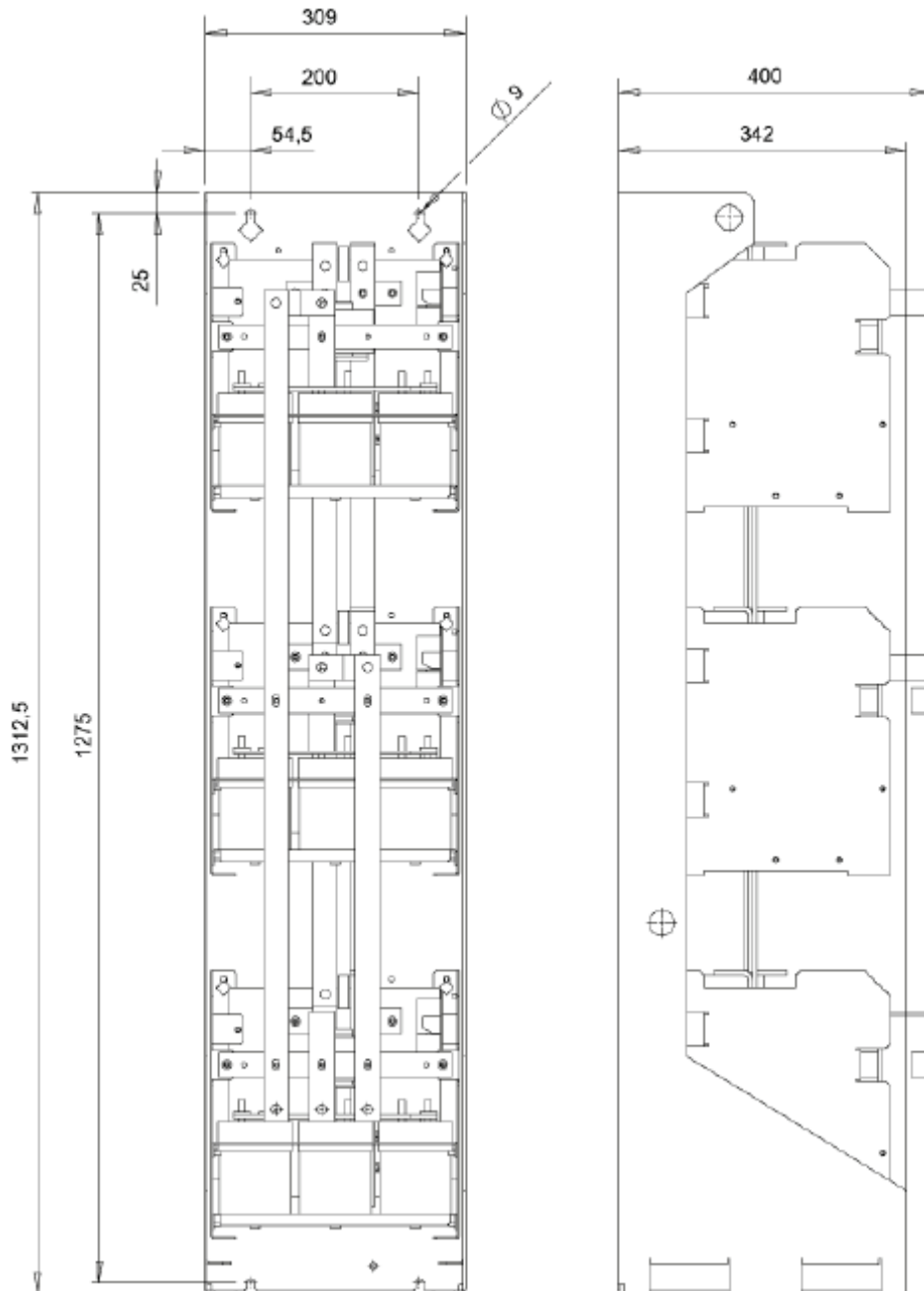
dv/dt filter plus VPL

Line voltage 500 - 690 V

dv/dt filter plus VPL	6SL3000-2DH34-1AA0	6SL3000-2DH35-8AA0	6SL3000-2DH38-1AA0
Voltage peak limiter	6SL3000-2DH34-1BA0	6SL3000-2DH35-8BA0	6SL3000-2DH38-1BA0
Type	3	3	3

### Voltage peak limiter

#### Type 3



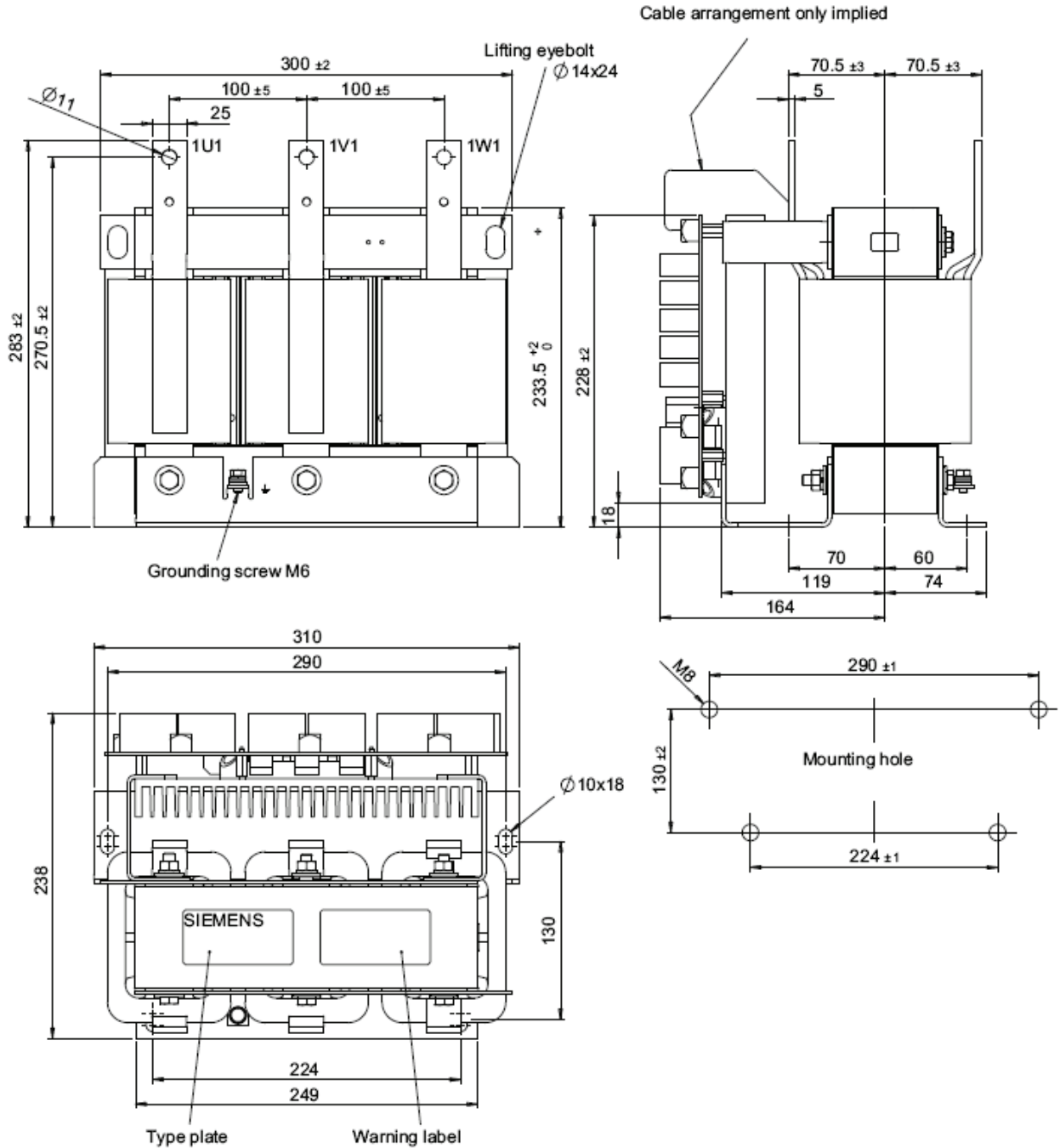
All specifications in mm

## SINAMICS G130 Drive Converter Chassis Units

Line voltage 380 - 480 V  
500 - 690 V

### dv/dt filter compact plus VPL

260 A 6SL3000-2DE32-6EA0  
100 A 6SL3000-2DG31-0EA0  
150 A 6SL3000-2DG31-5EA0



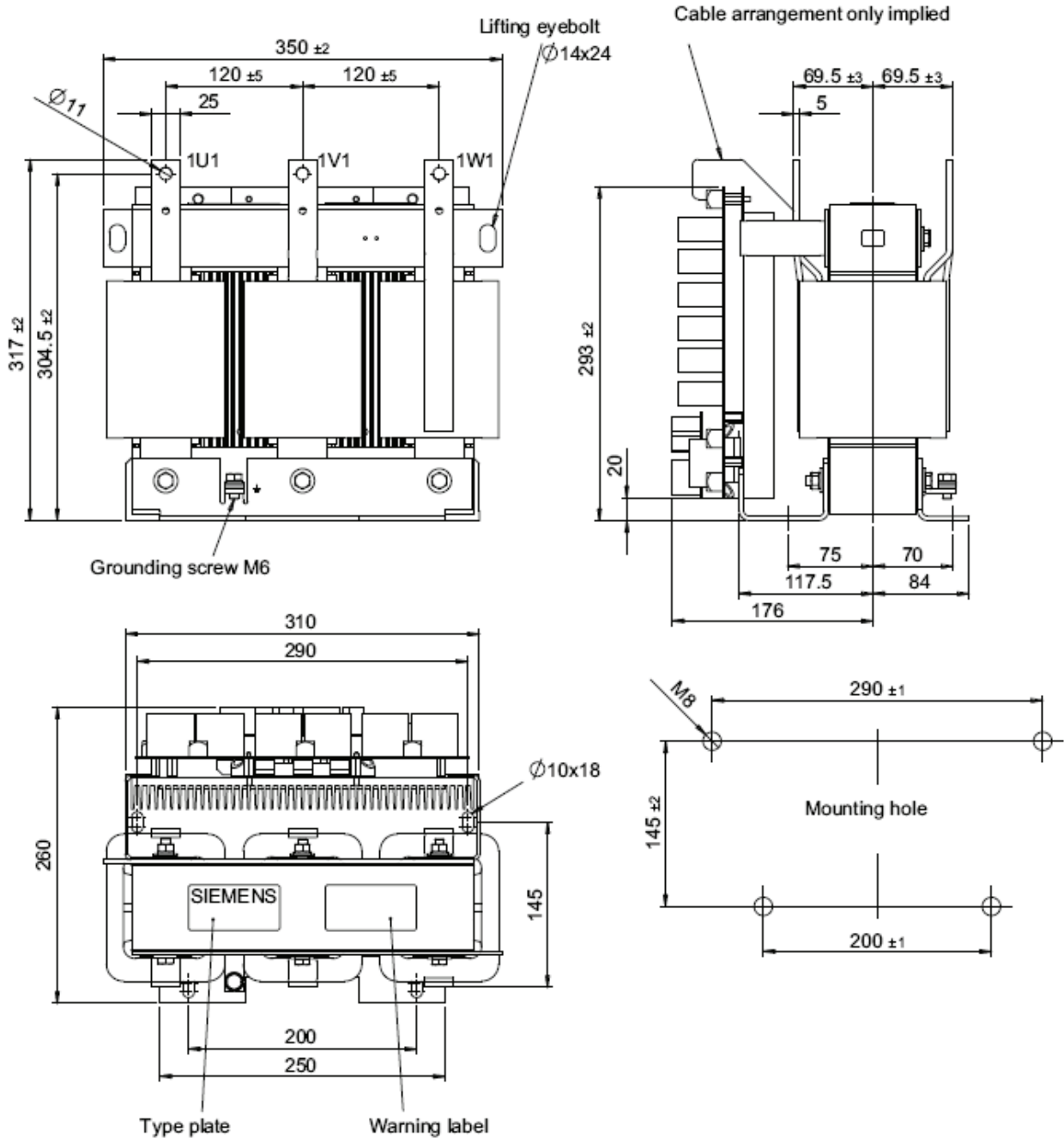
All specifications in mm

## SINAMICS G130 Drive Converter Chassis Units

Line voltage 380 - 480 V  
500 - 690 V

## dv/dt filter compact plus VPL

490 A 6SL3000-2DE35-0EA0  
215 A 6SL3000-2DG32-2EA0  
330 A 6SL3000-2DG33-3EA0



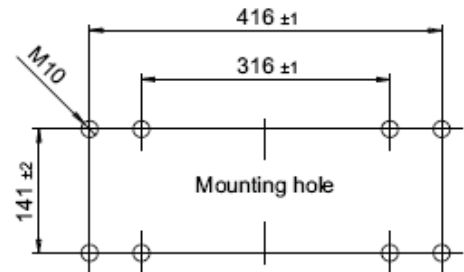
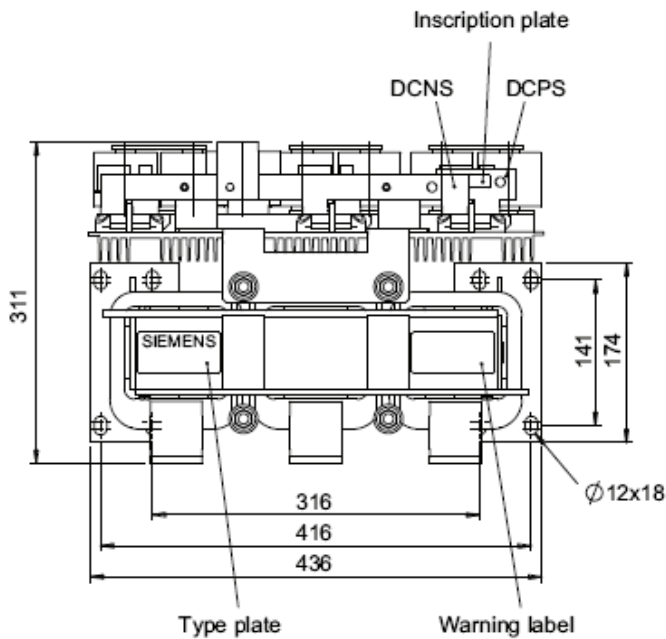
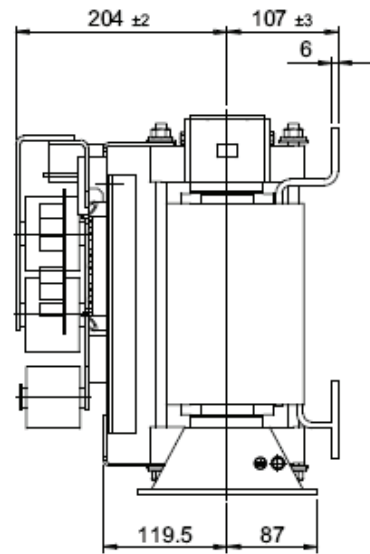
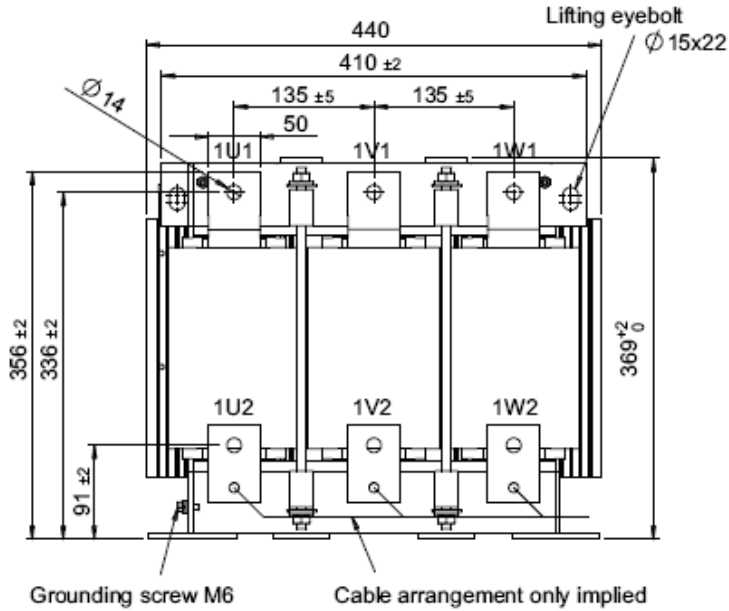
All specifications in mm

## SINAMICS G130 Drive Converter Chassis Units

Line voltage 380 - 480 V  
500 - 690 V

## dv/dt filter compact plus VPL

840 A 6SL3000-2DE38-4EA0  
410 A 6SL3000-2DG34-1EA0  
575 A 6SL3000-2DG35-8EA0



All specifications in mm

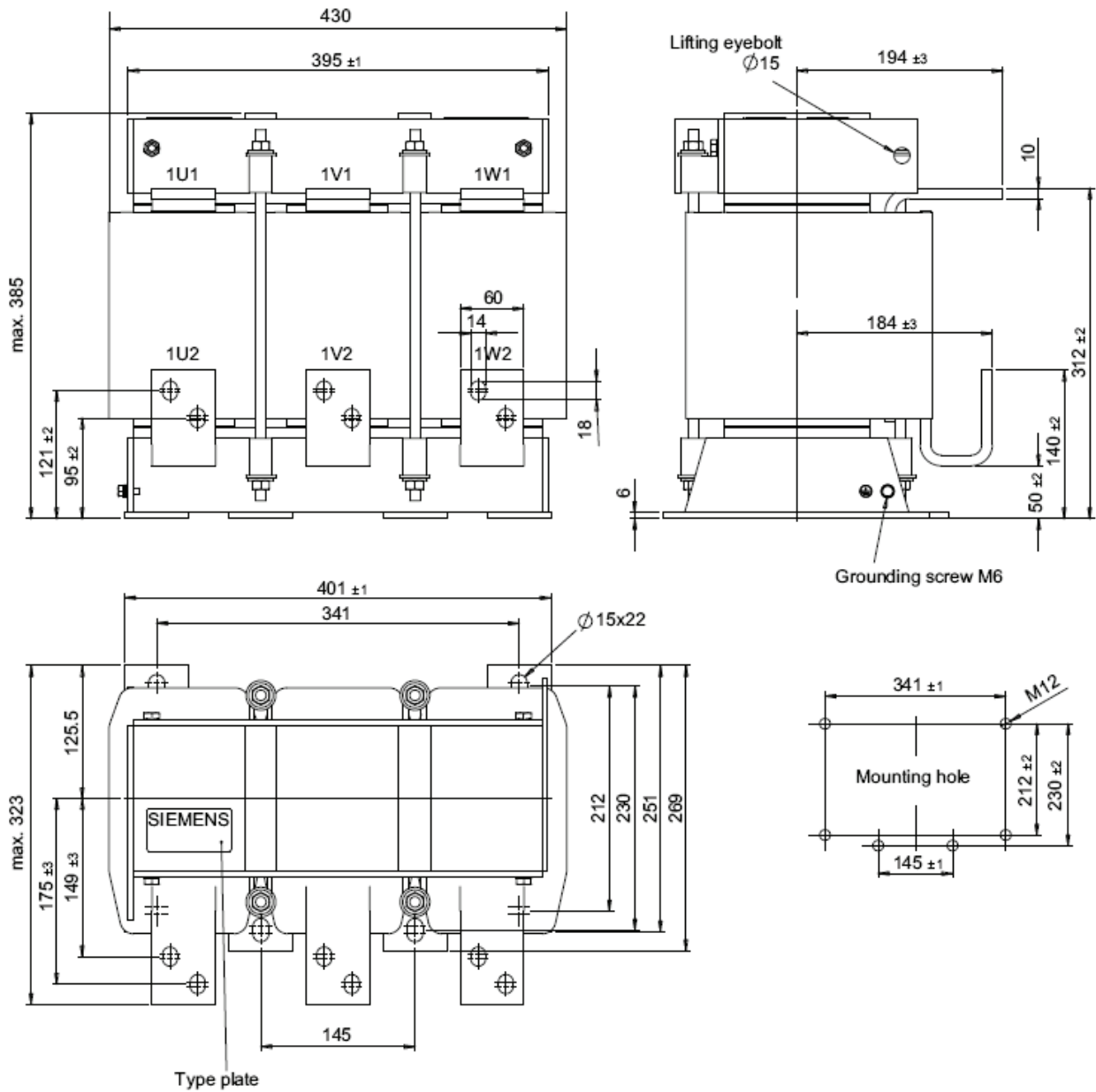
## SINAMICS G130 Drive Converter Chassis Units

Line voltage 380 - 480 V  
500 - 690 V

## dv/dt filter compact plus VPL

1405 A 6SL3000-2DE41-4E0A  
810 A 6SL3000-2DG38-1EA0

### dv/dt reactor



All specifications in mm



## SINAMICS G130 Drive Converter Chassis Units

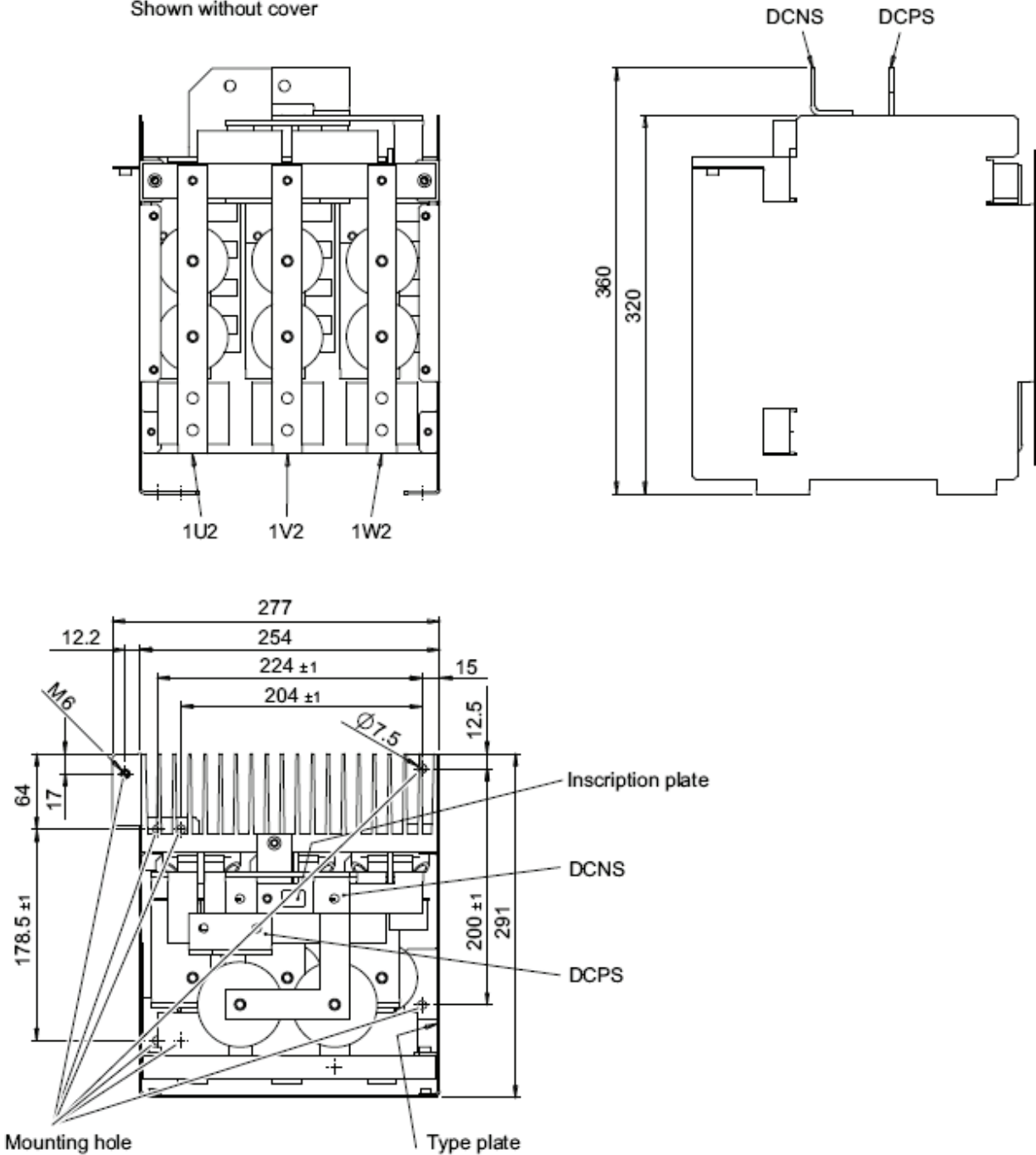
Line voltage 380 - 480 V  
500 - 690 V

**dv/dt filter compact plus VPL**

1405 A 6SL3000-2DE41-4E0A  
810 A 6SL3000-2DG38-1EA0

### Voltage peak limiter VPL

Shown without cover

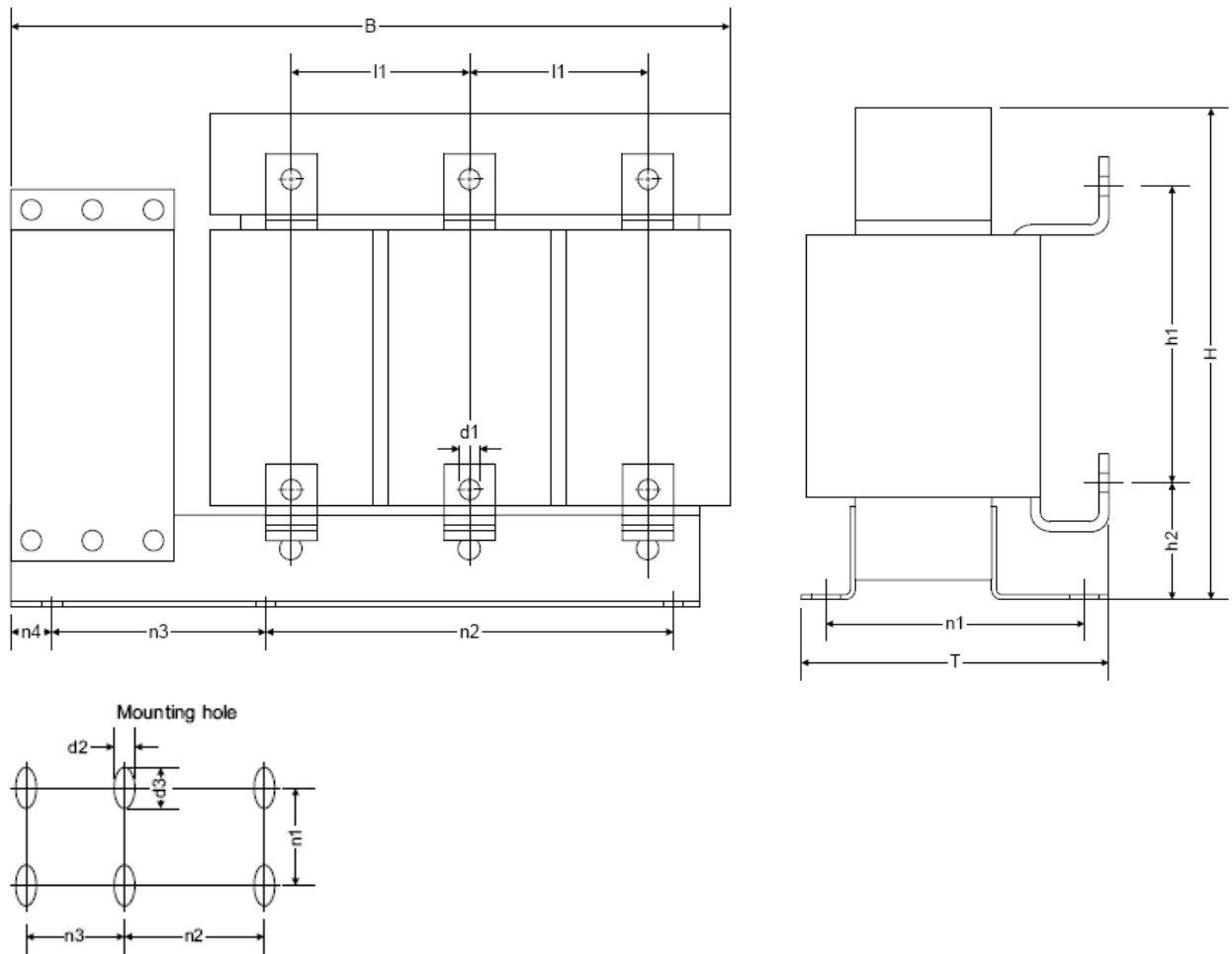


All specifications in mm

## SINAMICS G130 Drive Converter Chassis Units

Sine-wave filter

Line voltage 380 - 480 V  
500 - 600 V



### 3 AC 380 V – 480 V

	6SL3000-2CE32-3AA0	6SL3000-2CE32-8AA0	6SL3000-2CE33-3AA0	6SL3000-2CE34-1AA0
B	620	620	620	620
H	300	300	370	370
T	320	320	360	360
l1	140	140	140	140
h1	180	180	220	220
h2	65	65	65	65
n1 <sup>1)</sup>	280	280	320	320
n2 <sup>1)</sup>	150	150	150	150
n3 <sup>1)</sup>	225	225	225	225
n4	105	105	105	105
d1	12	12	12	12
d2	11	11	11	11
d3	22	22	22	22

### 3 AC 500 V – 600 V

	6SL3000-2CF31-7AA0
B	620
H	370
T	360
l1	140
h1	220
h2	65
n1 <sup>1)</sup>	320
n2 <sup>1)</sup>	150
n3 <sup>1)</sup>	225
n4	105
d1	12
d2	11
d3	22

<sup>1)</sup> The lengths n1, n2 and n3 correspond to the drill hole spacing  
All specifications in mm