

Dimension Drawings

SINAMICS G150 Drive Converter Cabinet Units

Version C

Line voltage V	Type rating kW	Output current A	Order No	No of pulses	Cable entry of power connection ¹⁾			
					below			
380 - 480	110	210	6SL3710-1GE32-1CA3	6p	2	-	-	-
	132	260	6SL3710-1GE32-6CA3		2	-	-	-
	160	310	6SL3710-1GE33-1CA3		2	-	-	-
	200	380	6SL3710-1GE33-8CA3		2	-	-	-
	250	490	6SL3710-1GE35-0CA3		2	-	-	-
	315	605	6SL3710-1GE36-1CA3		3	-	-	-
	400	745	6SL3710-1GE37-5CA3		3	-	-	-
	450	840	6SL3710-1GE38-4CA3		3	-	-	-
	560	985	6SL3710-1GE41-0CA3		4	-	-	-
	500 - 600	110	175		6SL3710-1GF31-8CA3	6p	5	-
132		215	6SL3710-1GF32-2CA3	5	-		-	-
160		260	6SL3710-1GF32-6CA3	5	-		-	-
200		330	6SL3710-1GF33-3CA3	5	-		-	-
250		410	6SL3710-1GF34-1CA3	6	-		-	-
315		465	6SL3710-1GF34-7CA3	6	-		-	-
400		410	6SL3710-1GF35-8CA3	6	-		-	-
500		735	6SL3710-1GF37-4CA3	7	-		-	-
560		810	6SL3710-1GF38-1CA3	7	-		-	-
660 - 690		75	85	6SL3710-1GH28-5CA3	6p		8	-
	90	100	6SL3710-1GH31-0CA3	8		-	-	-
	110	120	6SL3710-1GH31-2CA3	8		-	-	-
	132	150	6SL3710-1GH31-5CA3	8		-	-	-
	160	175	6SL3710-1GH31-8CA3	9		-	-	-
	200	215	6SL3710-1GH32-2CA3	9		-	-	-
	250	260	6SL3710-1GH32-6CA3	9		-	-	-
	315	330	6SL3710-1GH33-3CA3	9		-	-	-
	400	410	6SL3710-1GH34-1CA3	10		-	-	-
	450	465	6SL3710-1GH34-7CA3	10		-	-	-
	560	575	6SL3710-1GH35-8CA3	10		-	-	-
	710	735	6SL3710-1GH37-4CA3	11		-	-	-
	800	810	6SL3710-1GH38-1CA3	11		-	-	-

¹⁾ Power connections: Line side from below, Motor side from below

[\(Link to page\)](#)

SINAMICS G150 Drive Converter Cabinet Units

Version C

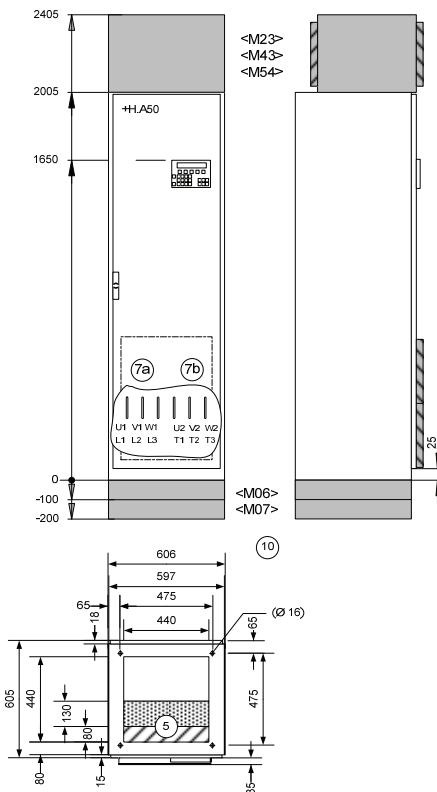
Line voltage 380 - 480 V

315 kW
400 kW
450 kW

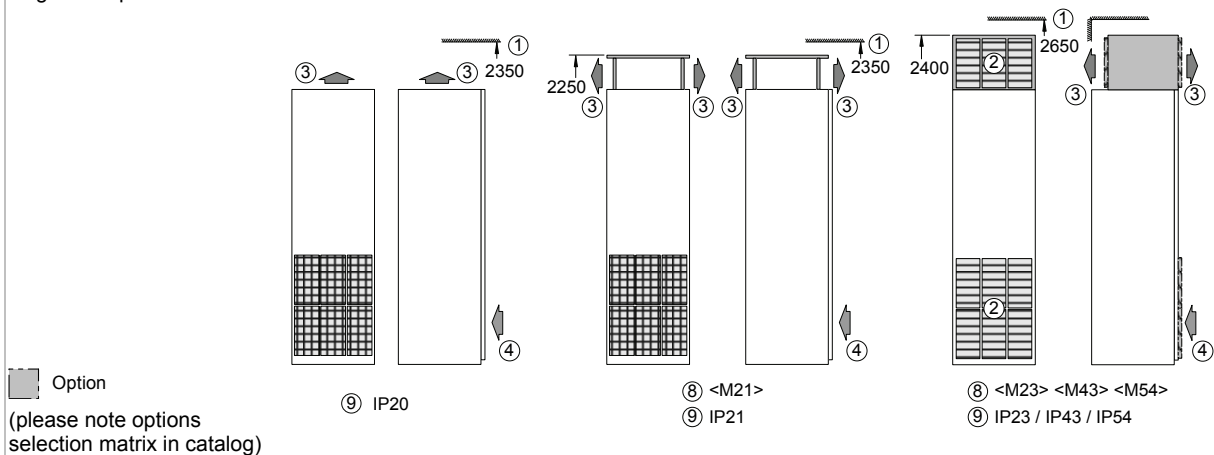
605 A
745 A
840 A

6SL3710-1GE36-1CA3
6SL3710-1GE37-5CA3
6SL3710-1GE38-4CA3

Line side connection from below
Motor side connection from below



Degrees of protection:



Legend:

- 1 Minimum ceiling height for wall mounting
- 2 Ventilation grid
- 3 Air outlet area
- 4 Air inlet area
- 5 Cables can enter from below within hatched area
- 6 Option
- 7 Power connection (7a: power supply, 7b: motor)
- 8 Degree of protection option
- 9 Degree of protection
 - IP20
 - IP21 Option <M21>
 - IP23 Option <M23>
 - IP43 Option <M43>
 - IP54 Option <M54>
- 10 Transport unit

SINAMICS G150 Drive Converter Cabinet Units

Line voltage 380 - 480 V

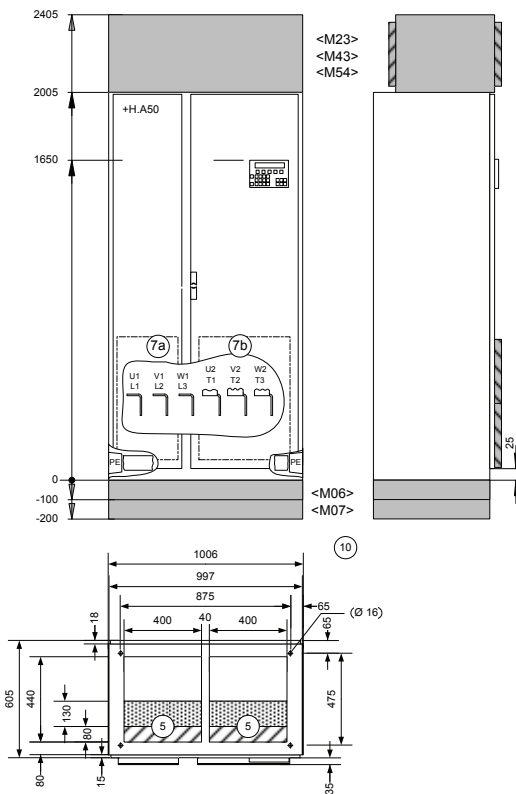
560 kW

985 A

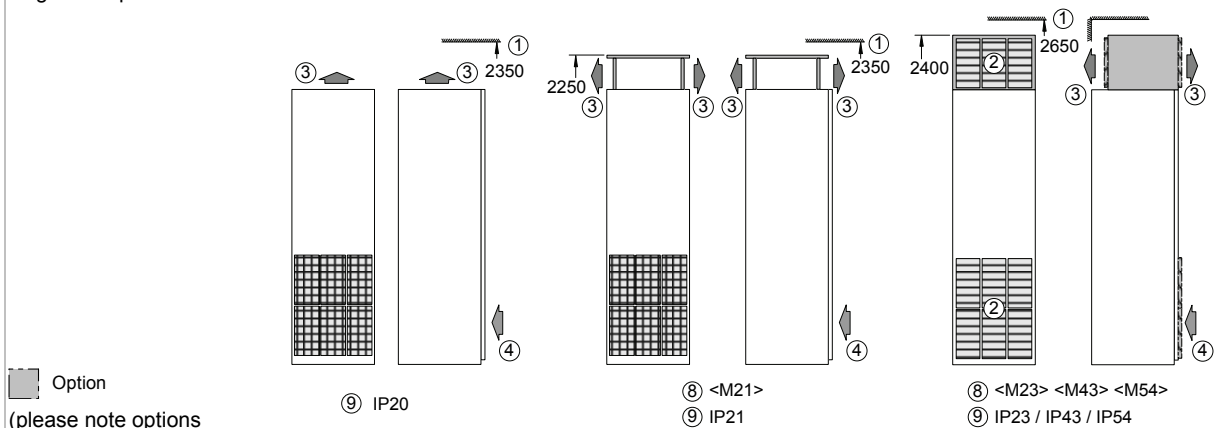
6SL3710-1GE41-0CA3

Version C

Line side connection from below
Motor side connection from below



Degrees of protection:



Option

(please note options selection matrix in catalog)

Legend:

- 1 Minimum ceiling height for wall mounting
- 2 Ventilation grid
- 3 Air outlet area
- 4 Air inlet area
- 5 Cables can enter from below within hatched area
- 6

- 7 Power connection (7a: power supply, 7b: motor)
- 8 Degree of protection option
- 9 Degree of protection
 - IP20
 - IP21 Option <M21>
 - IP23 Option <M23>
 - IP43 Option <M43>
 - IP54 Option <M54>

10 Transport unit

SINAMICS G150 Drive Converter Cabinet Units

Version C

Line voltage 500 – 600 V

110 kW	175 A	6SL3710-1GF31-8CA3
132 kW	215 A	6SL3710-1GF32-2CA3
160 kW	260 A	6SL3710-1GF32-6CA3
200 kW	330 A	6SL3710-1GF33-3CA3

Line side connection from below
Motor side connection from below

2405
2005
1650
0
-100
-200

<M23>
<M43>
<M54>

+H.A50

7b
L2 V2 W2
T1 T2 T3
L1 V1 W1
L1 L2 L3
7a

<M06>
<M07>

406
397
275
240
65
18
15
130
80
15
35
475
440
605
(Ø 16)

10

Degrees of protection:

① 2350
② 2250
③ 2350
④ 2400
⑤ 2650

⑧ <M21>
⑨ IP21

⑧ <M23> <M43> <M54>
⑨ IP23 / IP43 / IP54

Option
(please note options selection matrix in catalog)

Legend:

1	Minimum ceiling height for wall mounting	7	Power connection (7a: power supply, 7b: motor)
2	Ventilation grid	8	Degree of protection option
3	Air outlet area	9	Degree of protection
4	Air inlet area		IP20
5	Cables can enter from below within hatched area		IP21
6			IP23
			IP43
			IP54

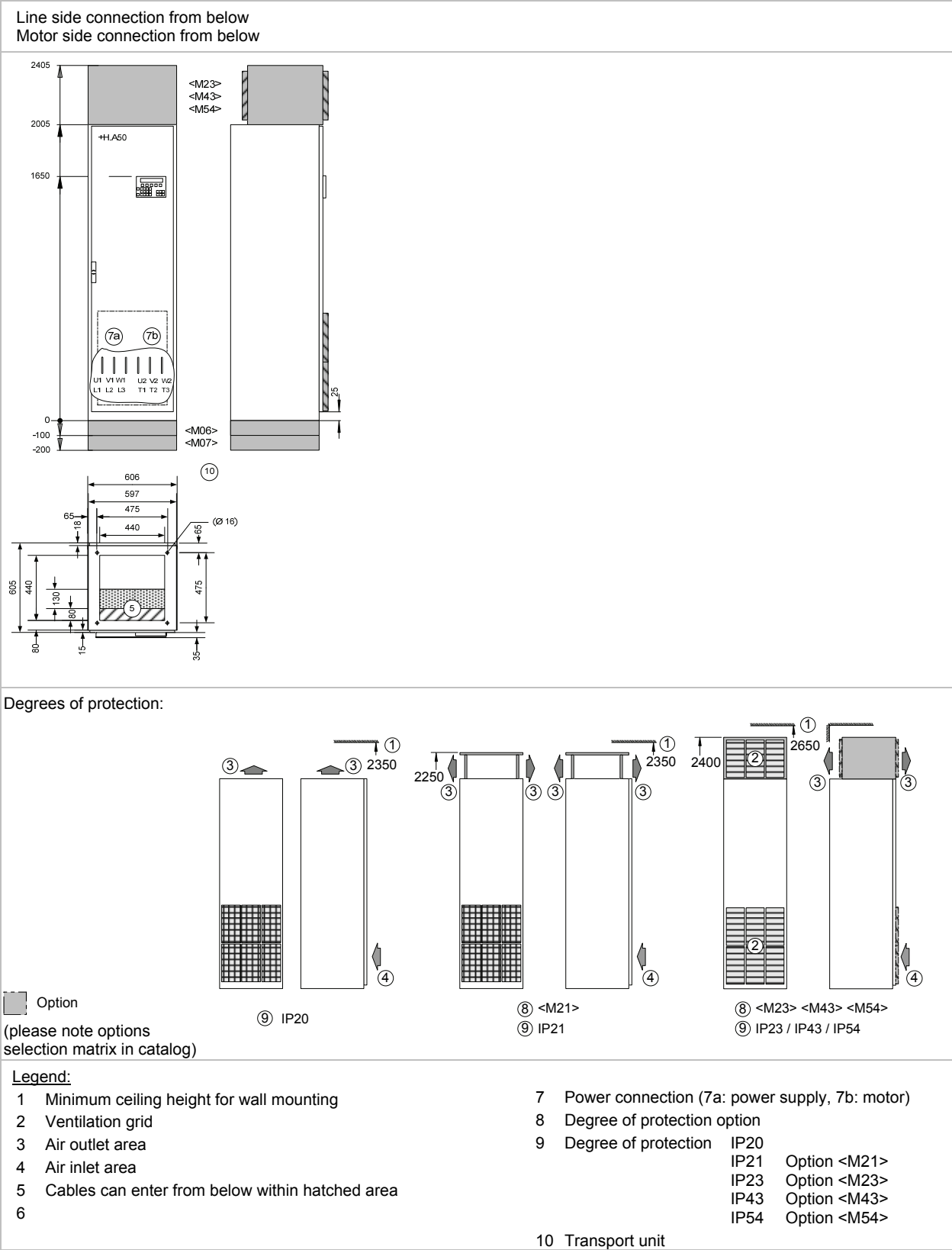
10 Transport unit

SINAMICS G150 Drive Converter Cabinet Units

Version C

Line voltage 500 - 600 V

250 kW	410 A	6SL3710-1GF34-1CA3
315 kW	465 A	6SL3710-1GF34-7CA3
400 kW	575 A	6SL3710-1GF35-8CA3



SINAMICS G150 Drive Converter Cabinet Units

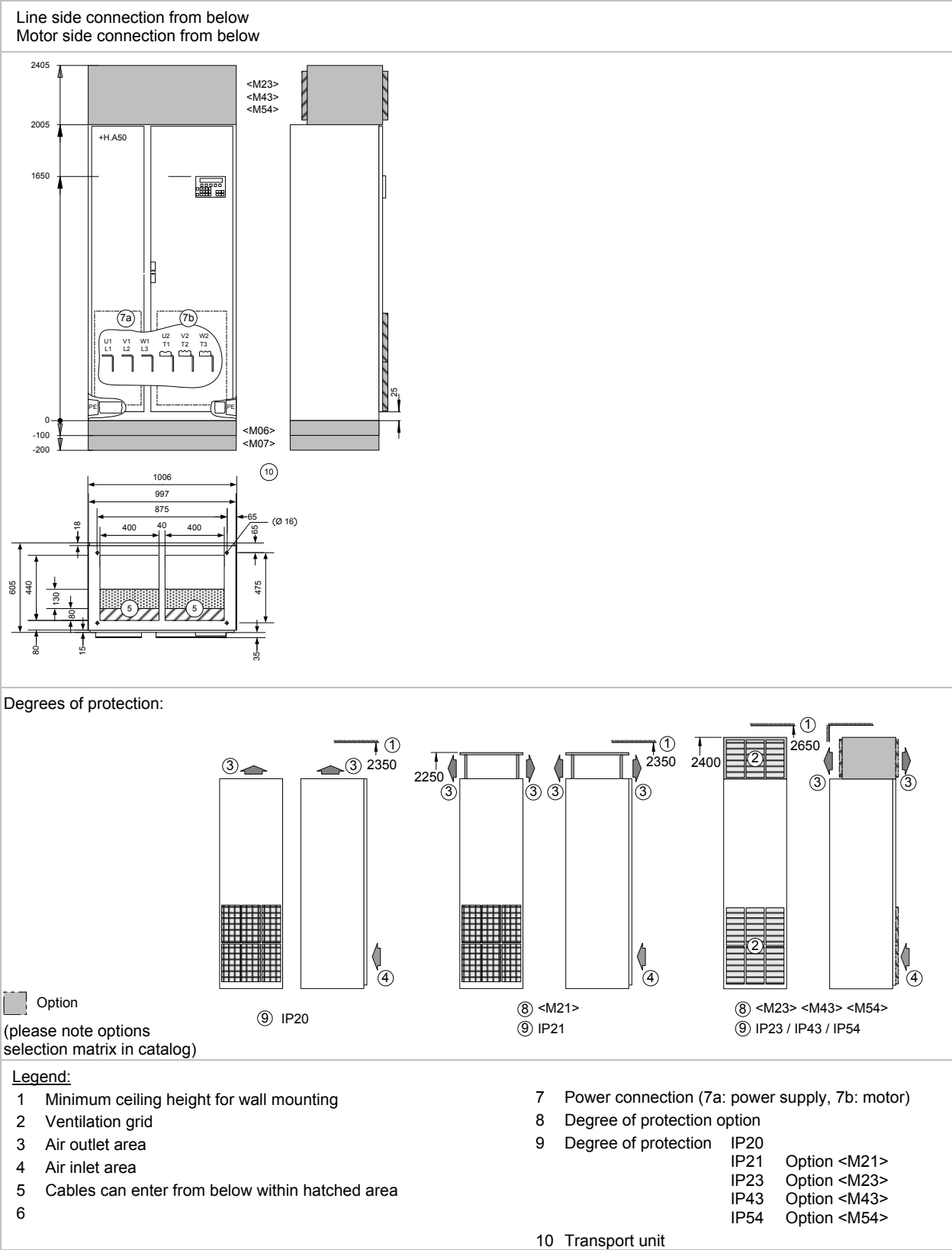
Version C

Line voltage 500 - 600 V

500 kW
560 kW

735 A
810 A

6SL3710-1GF37-4CA3
6SL3710-1GF38-1CA3



SINAMICS G150 Drive Converter Cabinet Units

Version C

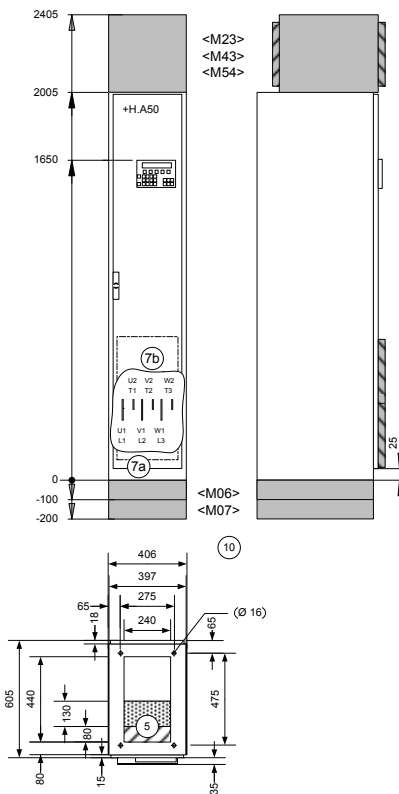
Line voltage 660 - 690 V

75 kW
90 kW
110 kW
132 kW

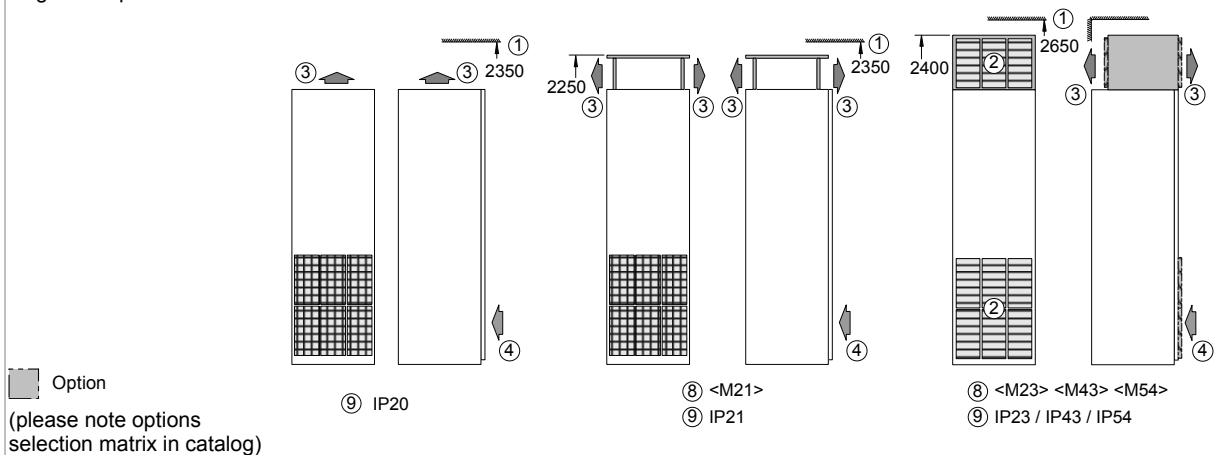
85 A
100 A
120 A
150 A

6SL3710-1GH28-5CA3
6SL3710-1GH31-0CA3
6SL3710-1GH31-2CA3
6SL3710-1GH31-5CA3

Line side connection from below
Motor side connection from below



Degrees of protection:



Legend:

- 1 Minimum ceiling height for wall mounting
- 2 Ventilation grid
- 3 Air outlet area
- 4 Air inlet area
- 5 Cables can enter from below within hatched area
- 6

- 7 Power connection (7a: power supply, 7b: motor)
- 8 Degree of protection option
- 9 Degree of protection
 - IP20
 - IP21 Option <M21>
 - IP23 Option <M23>
 - IP43 Option <M43>
 - IP54 Option <M54>

10 Transport unit

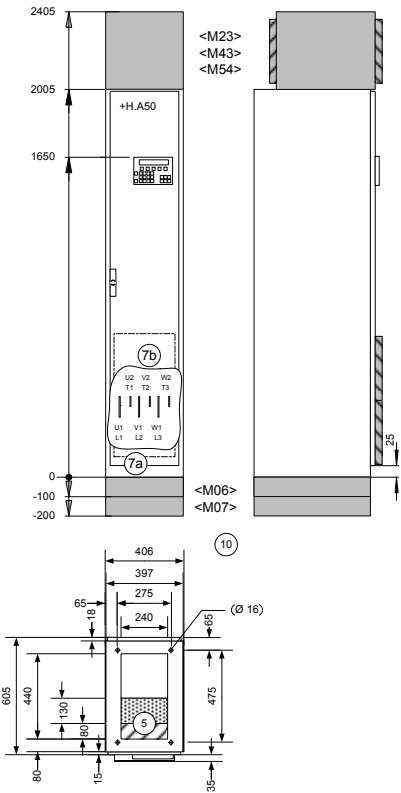
SINAMICS G150 Drive Converter Cabinet Units

Version C

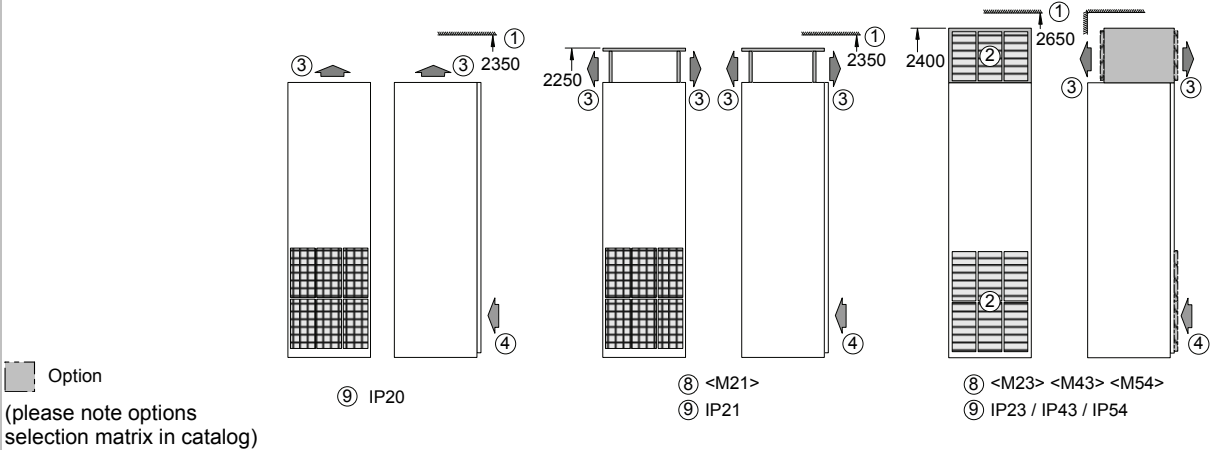
Line voltage 660 - 690 V

160 kW	175 A	6SL3710-1GH31-8CA3
200 kW	215 A	6SL3710-1GH32-2CA3
250 kW	260 A	6SL3710-1GH32-6CA3
315 kW	330 A	6SL3710-1GH33-3CA3

Line side connection from below
Motor side connection from below



Degrees of protection:



Legend:

- 1 Minimum ceiling height for wall mounting
- 2 Ventilation grid
- 3 Air outlet area
- 4 Air inlet area
- 5 Cables can enter from below within hatched area
- 6
- 7 Power connection (7a: power supply, 7b: motor)
- 8 Degree of protection option
- 9 Degree of protection IP20
IP21 Option <M21>
IP23 Option <M23>
IP43 Option <M43>
IP54 Option <M54>
- 10 Transport unit

SINAMICS G150 Drive Converter Cabinet Units

Version C

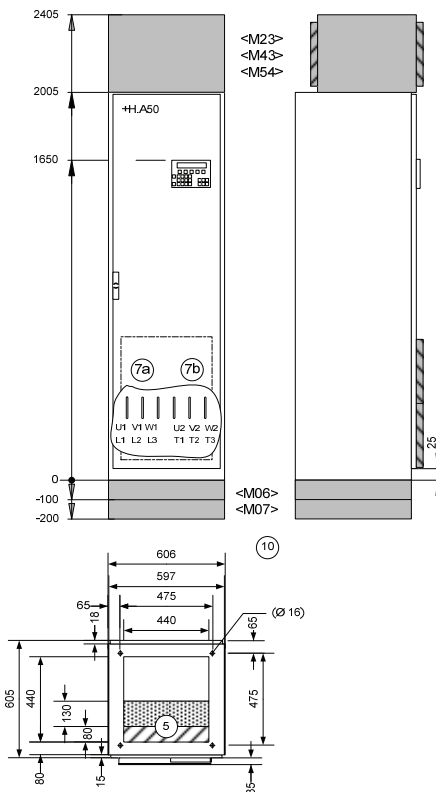
Line voltage 660 - 690 V

400 kW
450 kW
560 kW

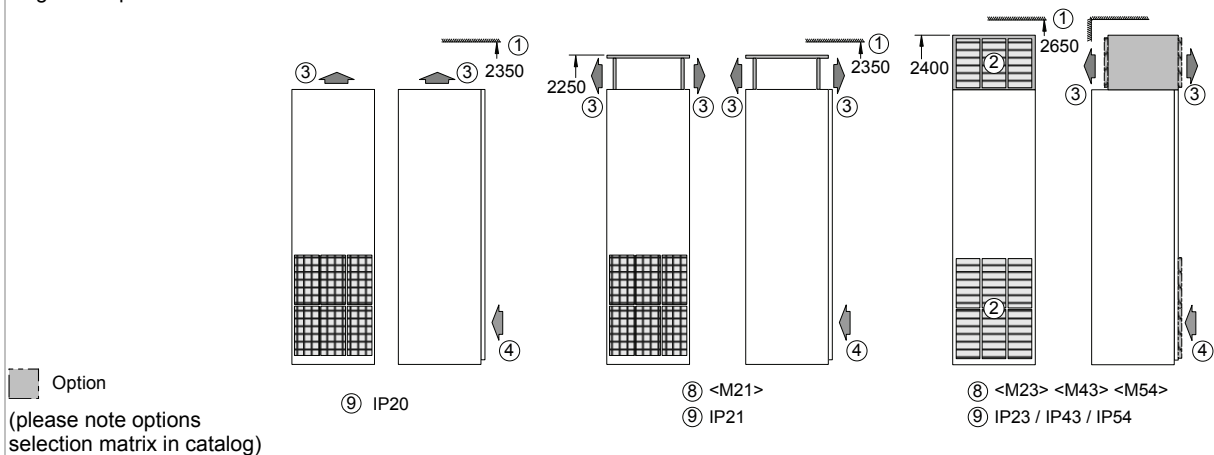
410 A
465 A
575 A

6SL3710-1GH34-1CA3
6SL3710-1GH34-7CA3
6SL3710-1GH35-8CA3

Line side connection from below
Motor side connection from below



Degrees of protection:



Legend:

- 1 Minimum ceiling height for wall mounting
- 2 Ventilation grid
- 3 Air outlet area
- 4 Air inlet area
- 5 Cables can enter from below within hatched area
- 6

- 7 Power connection (7a: power supply, 7b: motor)
- 8 Degree of protection option
- 9 Degree of protection
 - IP20
 - IP21 Option <M21>
 - IP23 Option <M23>
 - IP43 Option <M43>
 - IP54 Option <M54>

10 Transport unit

SINAMICS G150 Drive Converter Cabinet Units

Line voltage 660 - 690 V

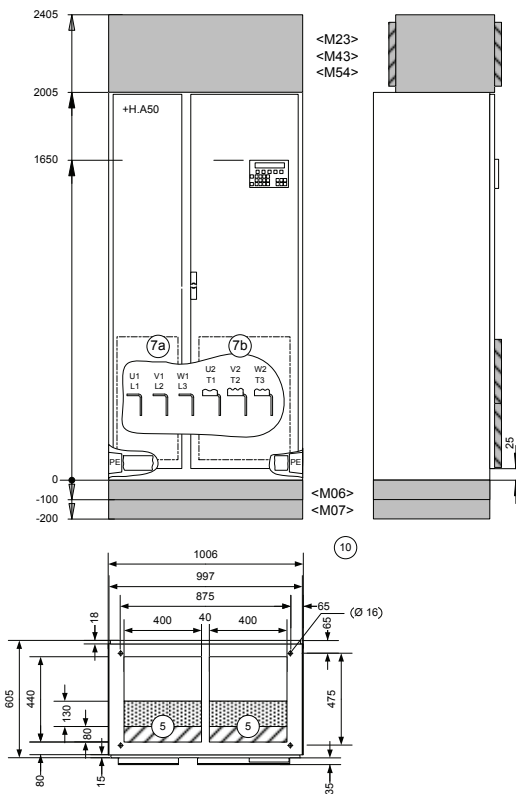
710 kW
800 kW

735 A
810 A

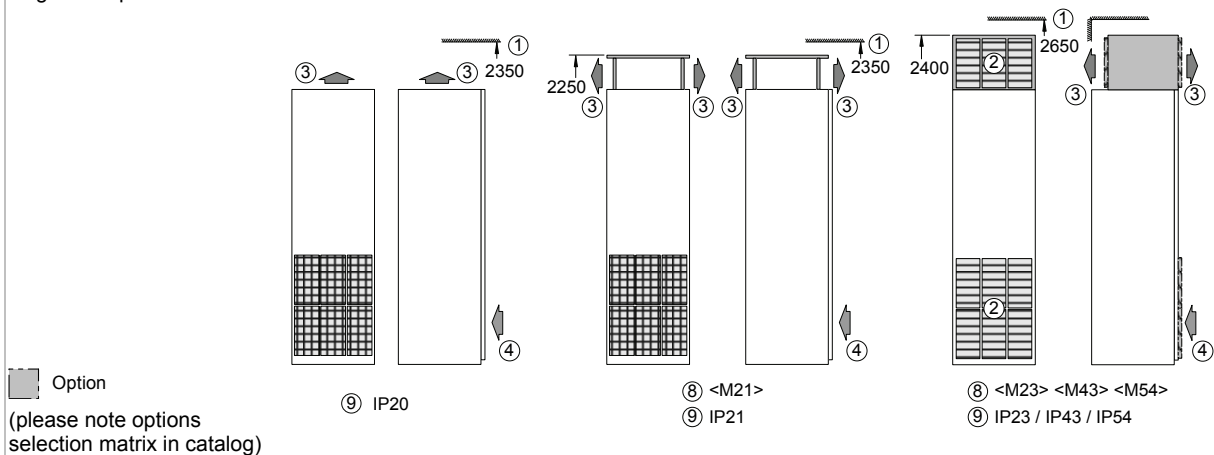
Version C

6SL3710-1GH37-4CA3
6SL3710-1GH38-1CA3

Line side connection from below
Motor side connection from below



Degrees of protection:



Legend:

- 1 Minimum ceiling height for wall mounting
- 2 Ventilation grid
- 3 Air outlet area
- 4 Air inlet area
- 5 Cables can enter from below within hatched area
- 6

- 7 Power connection (7a: power supply, 7b: motor)
- 8 Degree of protection option
- 9 Degree of protection
 - IP20
 - IP21 Option <M21>
 - IP23 Option <M23>
 - IP43 Option <M43>
 - IP54 Option <M54>

10 Transport unit