

Dimension Drawings

SINAMICS G150 Drive Converter Cabinet Units

Clean Power

Line voltage V	Type rating kW	Output current A	Order No ¹⁾	No of pulses	Cable entry of power connection ²⁾				dv/dt filter plus VPL +L10	
					below	+M13	+M78	+M13+M78		
380 - 480	110	210	6SL3710-1GE32-1AA3-Z	6p	2	2	3	3	4	
	132	260	6SL3710-1GE32-6AA3-Z		2	2	3	3	4	
	160	310	6SL3710-1GE33-1AA3-Z		2	2	3	3	4	
	200	380	6SL3710-1GE33-8AA3-Z		5	5	6	6	7	
	250	490	6SL3710-1GE35-0AA3-Z		5	5	6	6	7	
	315	605	6SL3710-1GE36-1AA3-Z		8	9	10	11	12	
	400	745	6SL3710-1GE37-5AA3-Z	8	9	10	11	12		
	450	840	6SL3710-1GE38-4AA3-Z	8	9	10	11	12		
	560	985	6SL3710-1GE41-0AA3-Z	13	14	15	16	17		
	630	1120	6SL3710-2GE41-1AA3-Z	12p	18	19	20	21	22	
	710	1380	6SL3710-2GE41-4AA3-Z		23	24	25	26	27	
	900	1560	6SL3710-2GE41-6AA3-Z		28	29	30	31	32	
500 - 600	110	175	6SL3710-1GF31-8AA3-Z	6p	33	33	34	34	35	
	132	215	6SL3710-1GF32-2AA3-Z		23	23	34	34	35	
	160	260	6SL3710-1GF32-6AA3-Z		23	23	34	34	35	
	200	330	6SL3710-1GF33-3AA3-Z		23	23	34	34	35	
	250	410	6SL3710-1GF34-1AA3-Z	12p	36	37	38	39	40	
	315	465	6SL3710-1GF34-7AA3-Z		36	37	38	39	40	
	400	410	6SL3710-1GF35-8AA3-Z		36	37	38	39	40	
	500	735	6SL3710-1GF37-4AA3-Z		41	42	43	44	45	
	560	810	6SL3710-1GF38-1AA3-Z		46	47	48	49	50	
	630	860	6SL3710-2GF38-6AA3-Z		51	52	53	54	55	
	710	1070	6SL3710-2GF41-1AA3-Z		51	52	53	54	55	
	1000	1360	6SL3710-2GF41-4AA3-Z		56	57	58	59	60	
660 - 690	75	85	6SL3710-1GH28-5AA3-Z	6p	61	61	62	62	63	
	90	100	6SL3710-1GH31-0AA3-Z		61	61	62	62	63	
	110	120	6SL3710-1GH31-2AA3-Z		61	61	62	62	63	
	132	150	6SL3710-1GH31-5AA3-Z		61	61	62	62	63	
	160	175	6SL3710-1GH31-8AA3-Z	12p	64	64	65	65	66	
	200	215	6SL3710-1GH32-2AA3-Z		64	64	65	65	66	
	250	260	6SL3710-1GH32-6AA3-Z		64	64	65	65	66	
	315	330	6SL3710-1GH33-3AA3-Z		64	64	65	65	66	
	400	410	6SL3710-1GH34-1AA3-Z		67	68	69	70	71	
	450	465	6SL3710-1GH34-7AA3-Z		67	68	69	70	71	
	560	575	6SL3710-1GH35-8AA3-Z		67	68	69	70	71	
	710	735	6SL3710-1GH37-4AA3-Z		72	73	74	75	76	
	800	810	6SL3710-1GH38-1AA3-Z		77	78	79	80	81	
	1000	1070	6SL3710-2GH41-1AA3-Z		82	83	84	85	86	
	1350	1360	6SL3710-2GH41-4AA3-Z		87	88	89	90	91	
	1500	1500	6SL3710-2GH41-5AA3-Z		92	93	94	95	96	

¹⁾ Z= +L01 (Option SINAMICS G150 Clean Power with integrated Line Harmonics Filter compact)

²⁾ Power connections:

Line side from below, Motor side from below
 Line side from above, Motor side from below
 Line side from below, Motor side from above
 Line side from above, Motor side from above

Standard
 Option **+M13**
 Option **+M78**
 Option **+M13+M78**

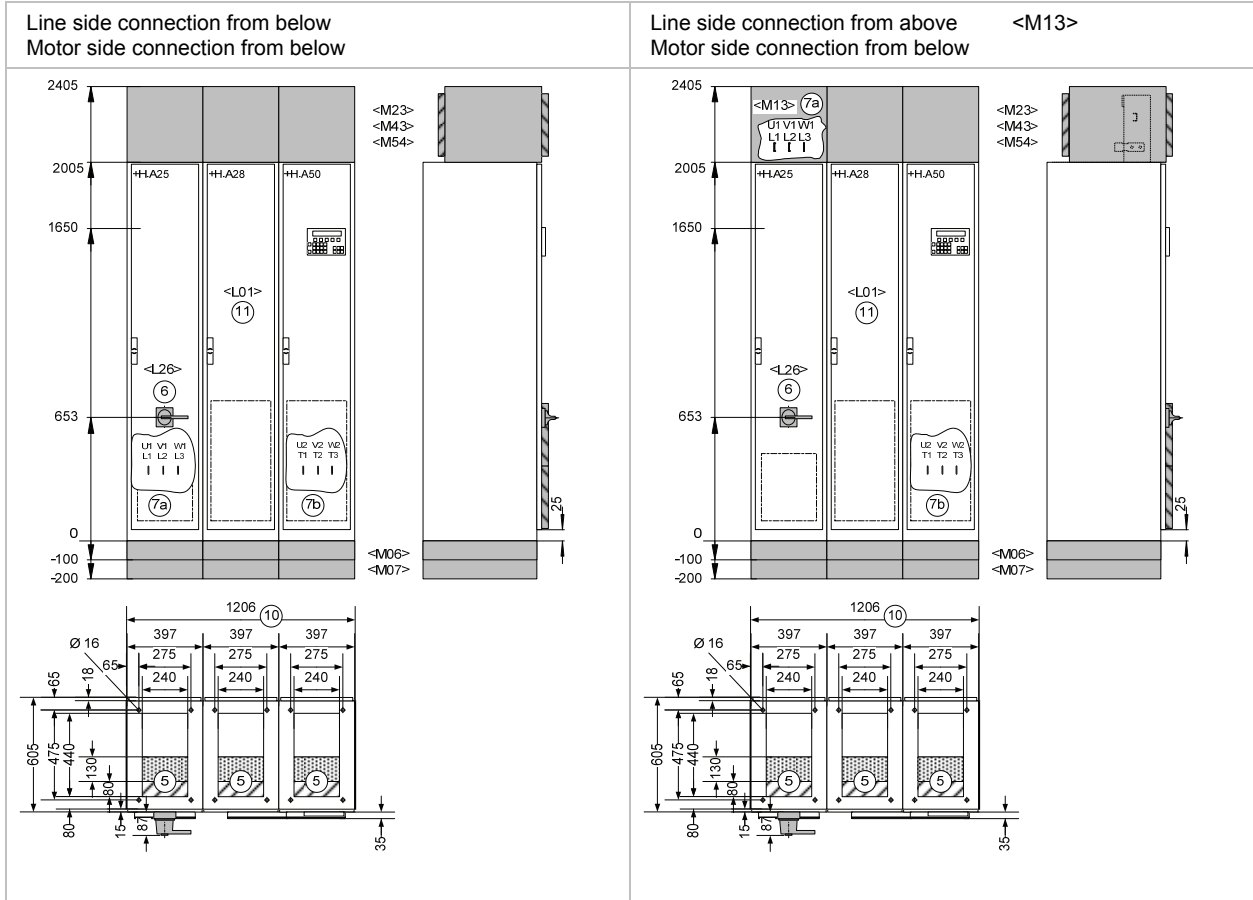
[\(Link to page\)](#)

SINAMICS G150 Drive Converter Cabinet Units

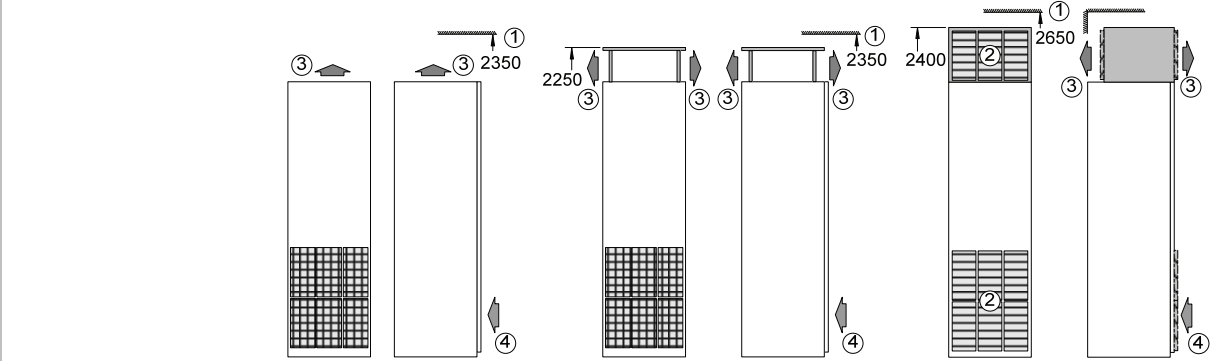
Clean Power

Line voltage 380 - 480 V
Single circuit

110 kW	210 A	6SL3710-1GE32-1AA3-Z (+L01)
132 kW	260 A	6SL3710-1GE32-6AA3-Z (+L01)
160 kW	310 A	6SL3710-1GE33-1AA3-Z (+L01)



Degrees of protection:



Option
(please note options selection matrix in catalog)

Legend:

- 1 Minimum ceiling height for wall mounting
- 2 Ventilation grid
- 3 Air outlet area
- 4 Air inlet area
- 5 Cables can enter from below within hatched area
- 6 Main circuit breaker, can be secured by padlock
- 7 Power connection (7a: power supply, 7b: motor)
- 8 Degree of protection option
- 9 Degree of protection IP20
IP21 Option <M21>
IP23 Option <M23>
IP43 Option <M43>
IP54 Option <M54>
- 10 Transport unit
- 11 Line harmonics filter compact, Option <L01>

SINAMICS G150 Drive Converter Cabinet Units

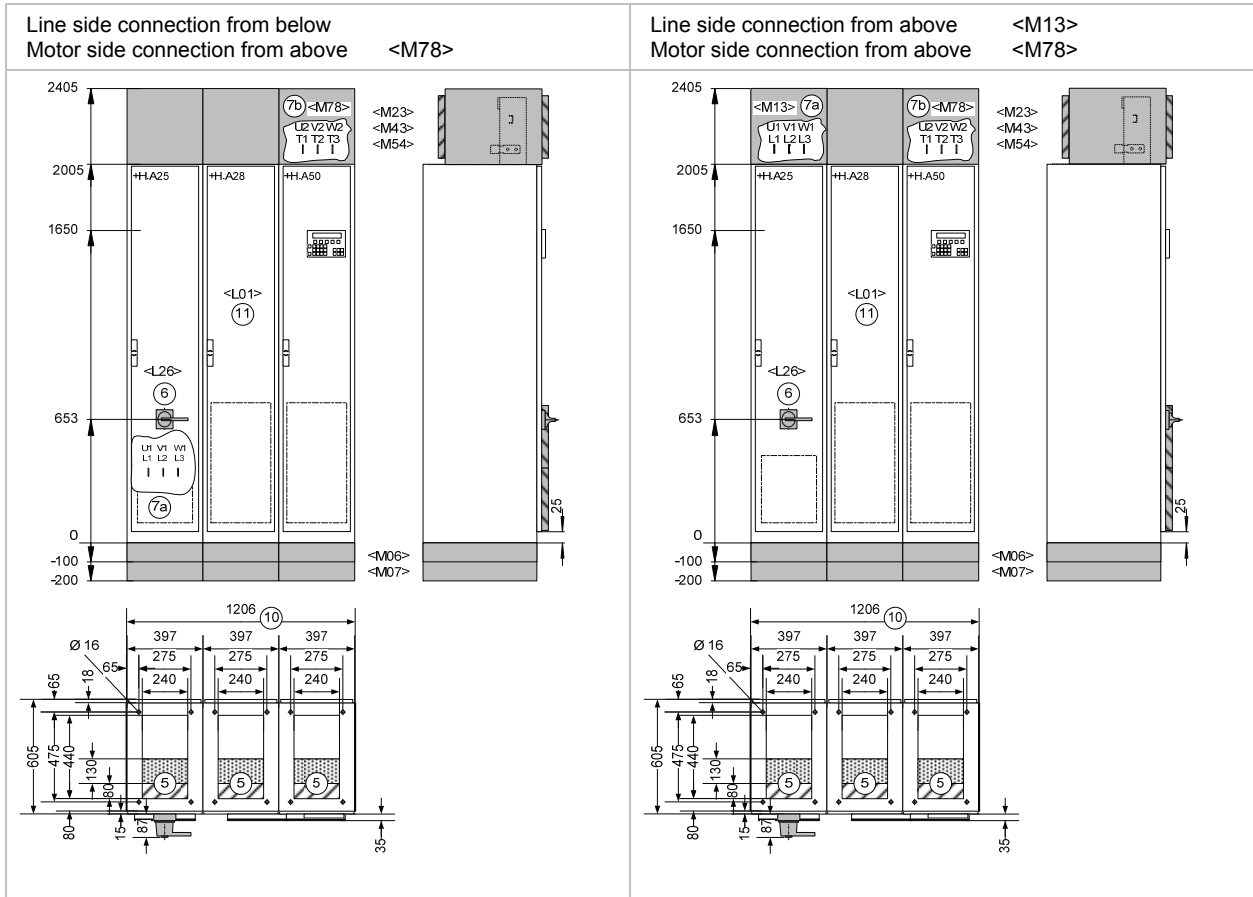
Clean Power

Line voltage 380 - 480 V
Single circuit

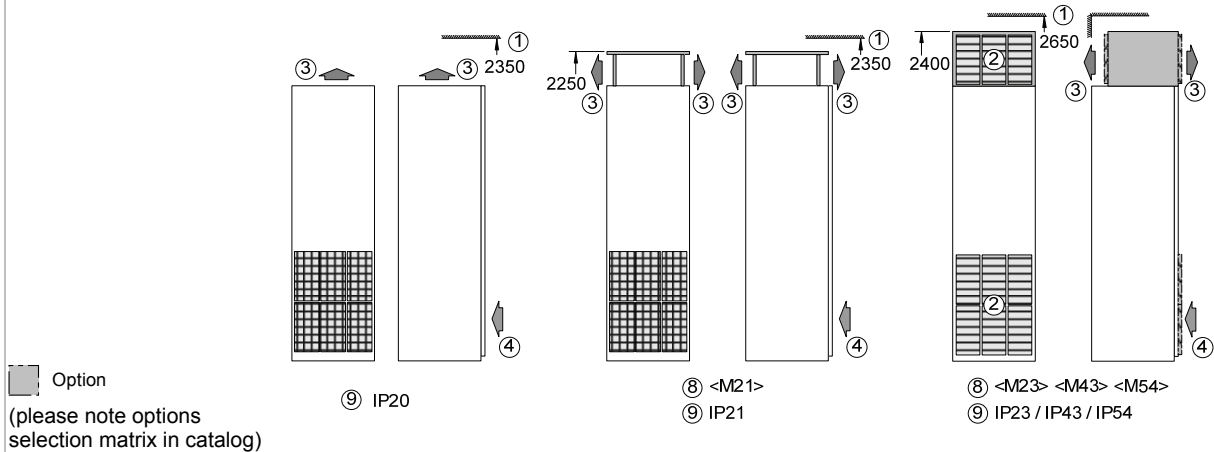
110 kW
132 kW
160 kW

210 A
260 A
310 A

6SL3710-1GE32-1AA3-Z (+L01)
6SL3710-1GE32-6AA3-Z (+L01)
6SL3710-1GE33-1AA3-Z (+L01)



Degrees of protection:



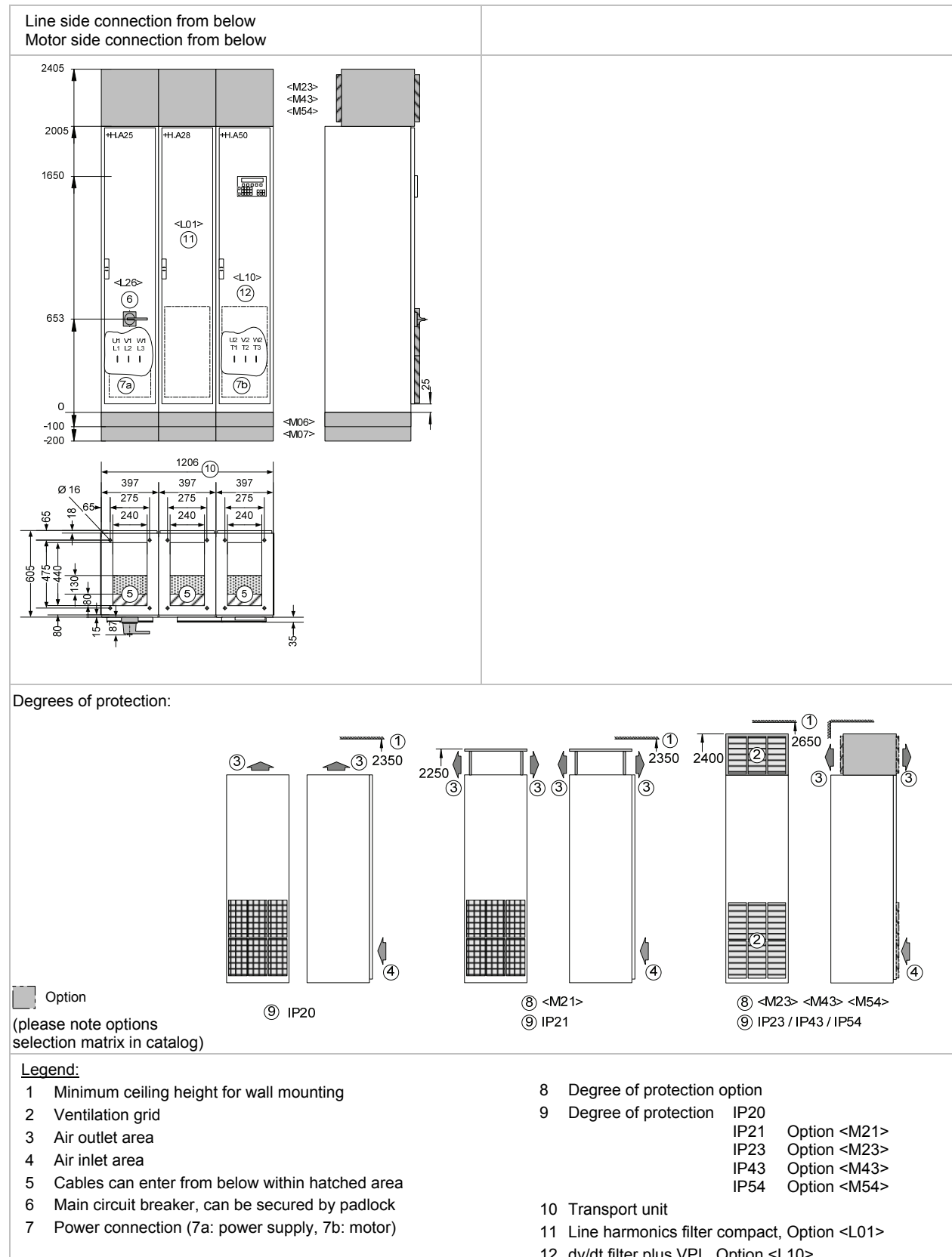
SINAMICS G150 Drive Converter Cabinet Units

Clean Power

Line voltage 380 - 480 V
Single circuit
with dv/dt filter plus VPL

110 kW 210 A
132 kW 260 A
160 kW 310 A

6SL3710-1GE32-1AA3-Z (+L01+L10)
6SL3710-1GE32-6AA3-Z (+L01+L10)
6SL3710-1GE33-1AA3-Z (+L01+L10)



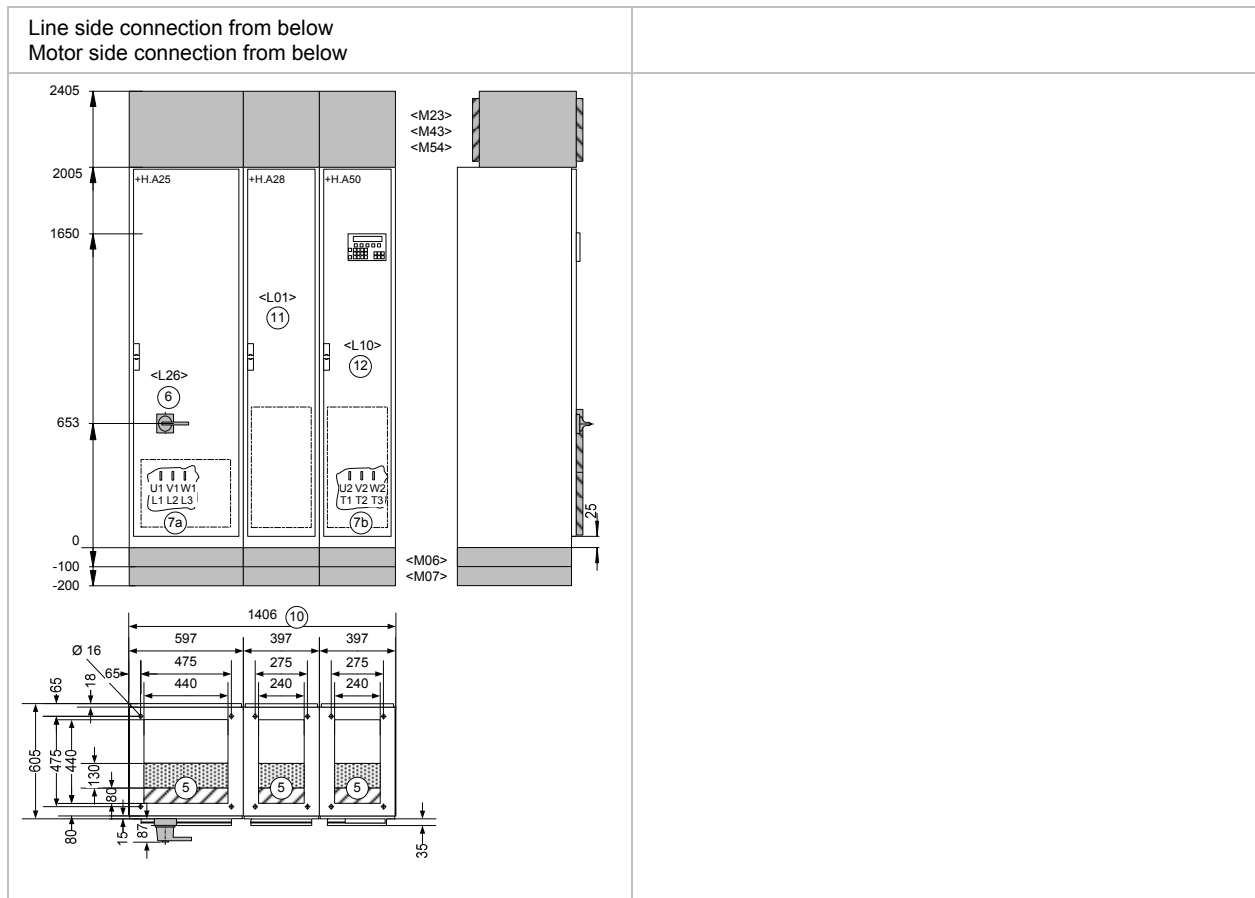
SINAMICS G150 Drive Converter Cabinet Units

Clean Power

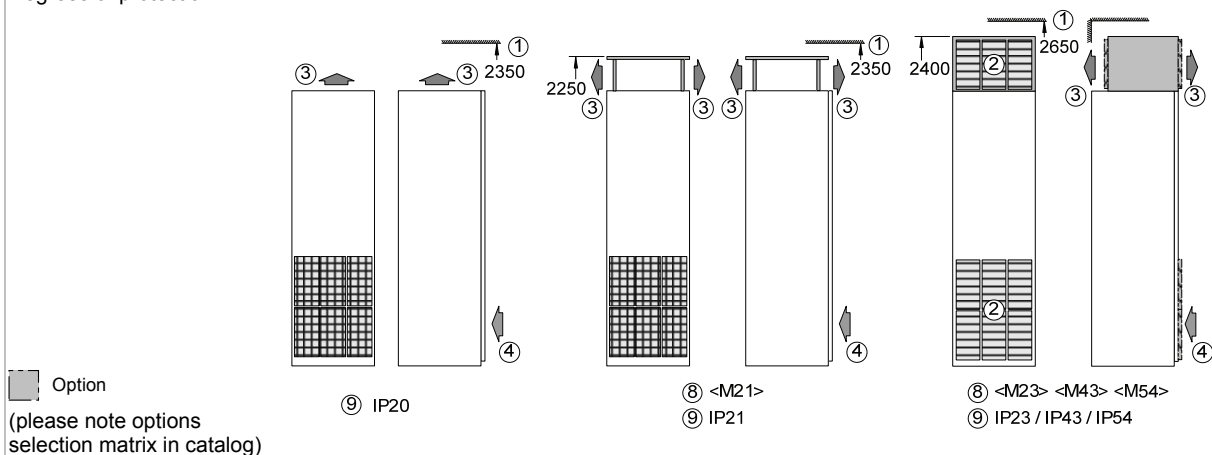
Line voltage 380 - 480 V
Single circuit
with dv/dt filter plus VPL

200 kW 380 A
250 kW 490 A

6SL3710-1GE33-8AA3-Z (+L01+L10)
6SL3710-1GE35-0AA3-Z (+L01+L10)



Degrees of protection:



Legend:

- | | |
|---|--|
| 1 Minimum ceiling height for wall mounting | 8 Degree of protection option |
| 2 Ventilation grid | 9 Degree of protection IP20 |
| 3 Air outlet area | IP21 Option <M21> |
| 4 Air inlet area | IP23 Option <M23> |
| 5 Cables can enter from below within hatched area | IP43 Option <M43> |
| 6 Main circuit breaker, can be secured by padlock | IP54 Option <M54> |
| 7 Power connection (7a: power supply, 7b: motor) | 10 Transport unit |
| | 11 Line harmonics filter compact, Option <L01> |
| | 12 dv/dt filter plus VPL, Option <L10> |

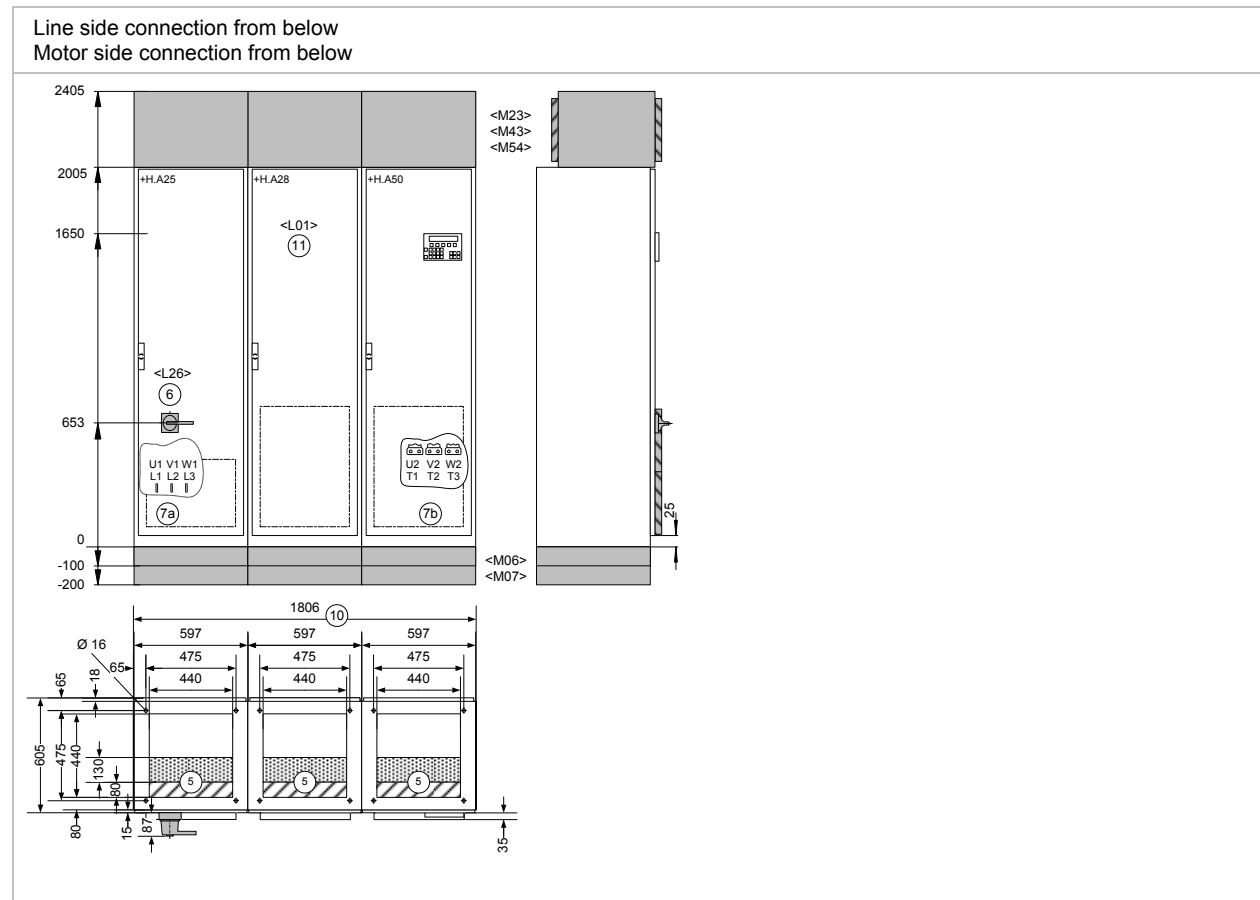
SINAMICS G150 Drive Converter Cabinet Units

Clean Power

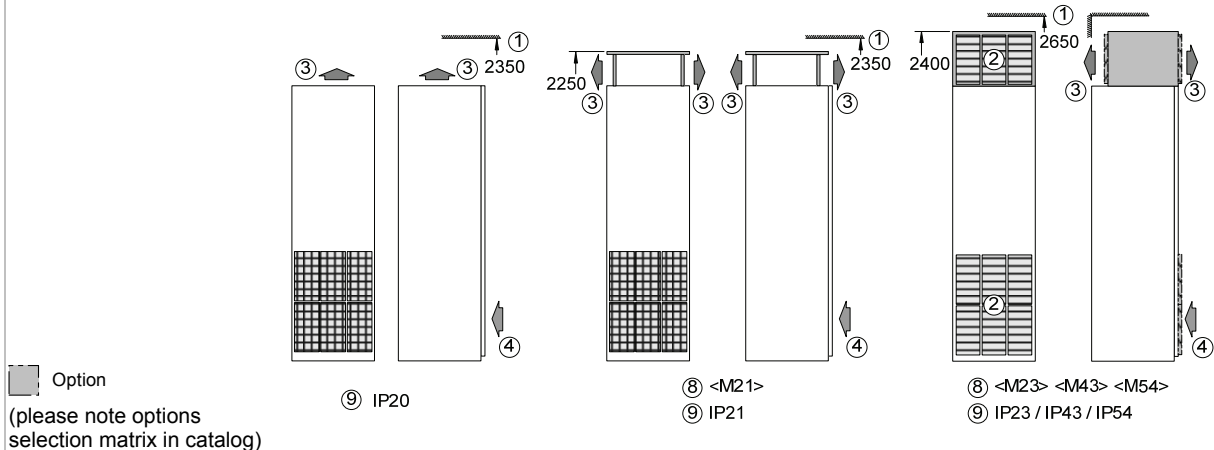
Line voltage 380 - 480 V
Single circuit

315 kW 605 A
400 kW 745 A
450 kW 840 A

6SL3710-1GE36-1AA3-Z (+L01)
6SL3710-1GE37-5AA3-Z (+L01)
6SL3710-1GE38-4AA3-Z (+L01)



Degrees of protection:



Legend:

- | | |
|---|--|
| 1 Minimum ceiling height for wall mounting | 8 Degree of protection option |
| 2 Ventilation grid | 9 Degree of protection IP20 |
| 3 Air outlet area | IP21 Option <M21> |
| 4 Air inlet area | IP23 Option <M23> |
| 5 Cables can enter from below within hatched area | IP43 Option <M43> |
| 6 Main circuit breaker, can be secured by padlock | IP54 Option <M54> |
| 7 Power connection (7a: power supply, 7b: motor) | 10 Transport unit |
| | 11 Line harmonics filter compact, Option <L01> |

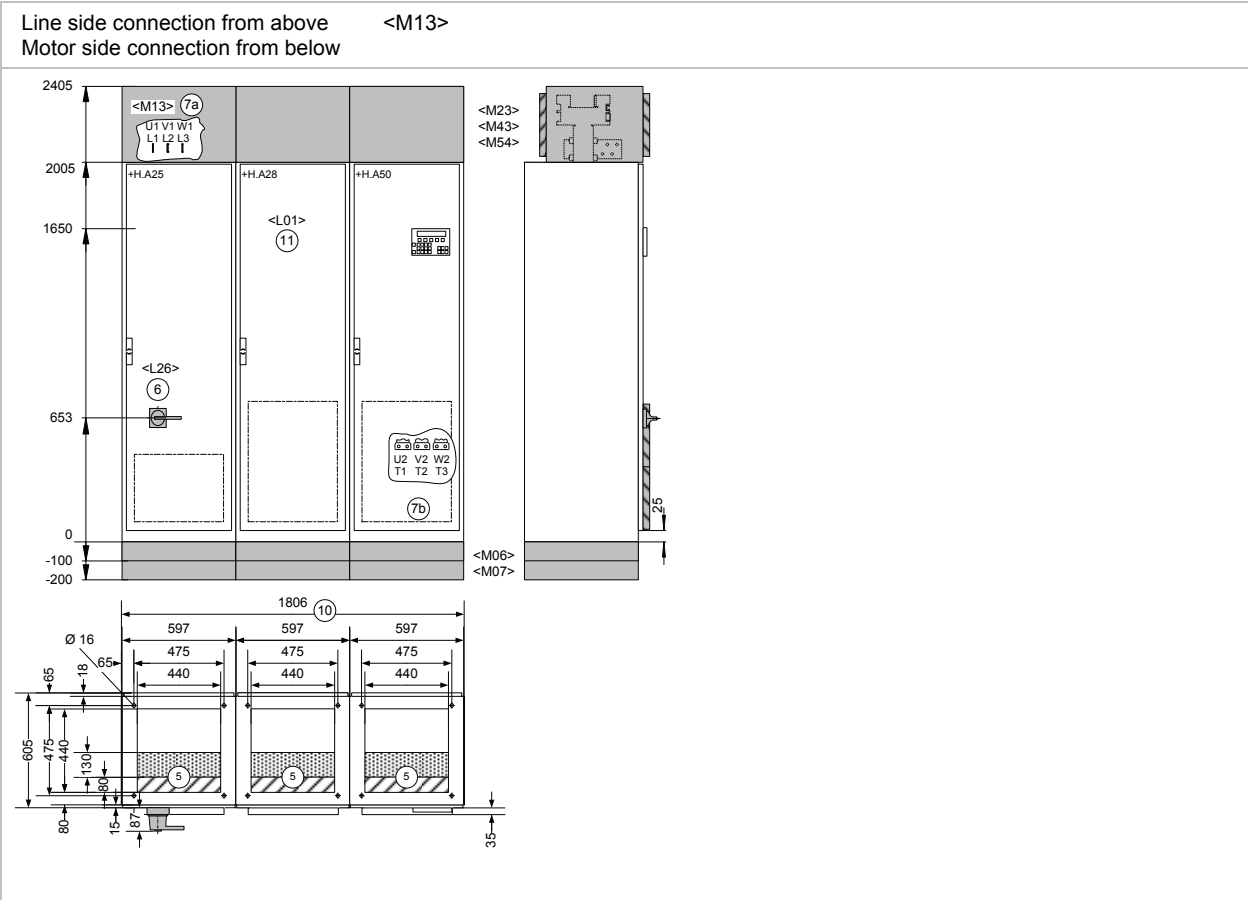
SINAMICS G150 Drive Converter Cabinet Units

Clean Power

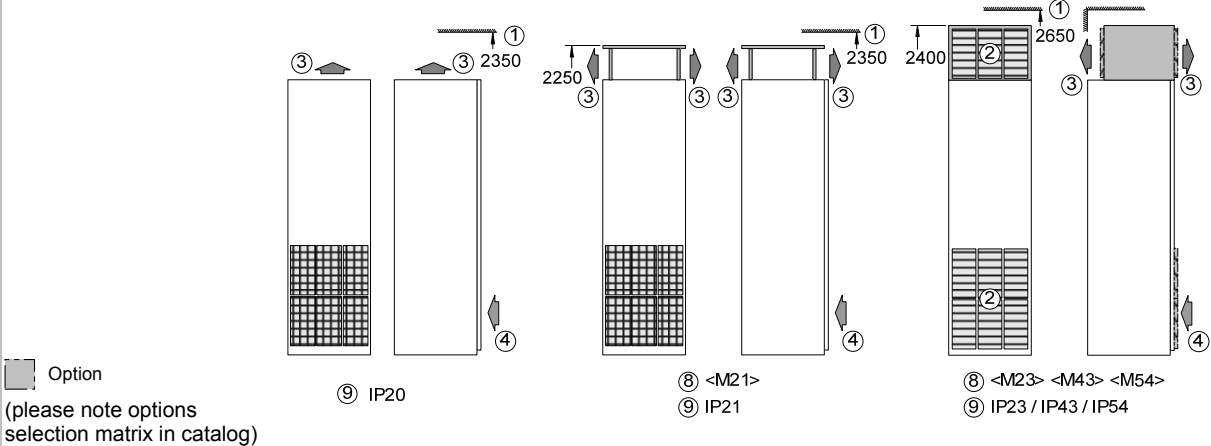
Line voltage 380 - 480 V
Single circuit

315 kW 605 A
400 kW 745 A
450 kW 840 A

6SL3710-1GE36-1AA3-Z (+L01)
6SL3710-1GE37-5AA3-Z (+L01)
6SL3710-1GE38-4AA3-Z (+L01)



Degrees of protection:



Legend:

- 1 Minimum ceiling height for wall mounting
- 2 Ventilation grid
- 3 Air outlet area
- 4 Air inlet area
- 5 Cables can enter from below within hatched area
- 6 Main circuit breaker, can be secured by padlock
- 7 Power connection (7a: power supply, 7b: motor)
- 8 Degree of protection option
- 9 Degree of protection IP20
 IP21 Option <M21>
 IP23 Option <M23>
 IP43 Option <M43>
 IP54 Option <M54>
- 10 Transport unit
- 11 Line harmonics filter compact, Option <L01>

SINAMICS G150 Drive Converter Cabinet Units

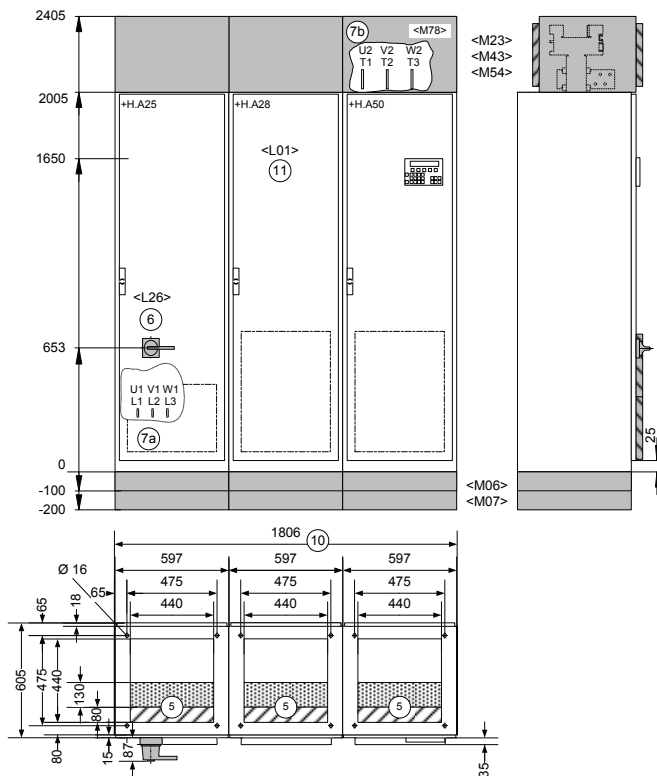
Clean Power

Line voltage 380 - 480 V
Single circuit

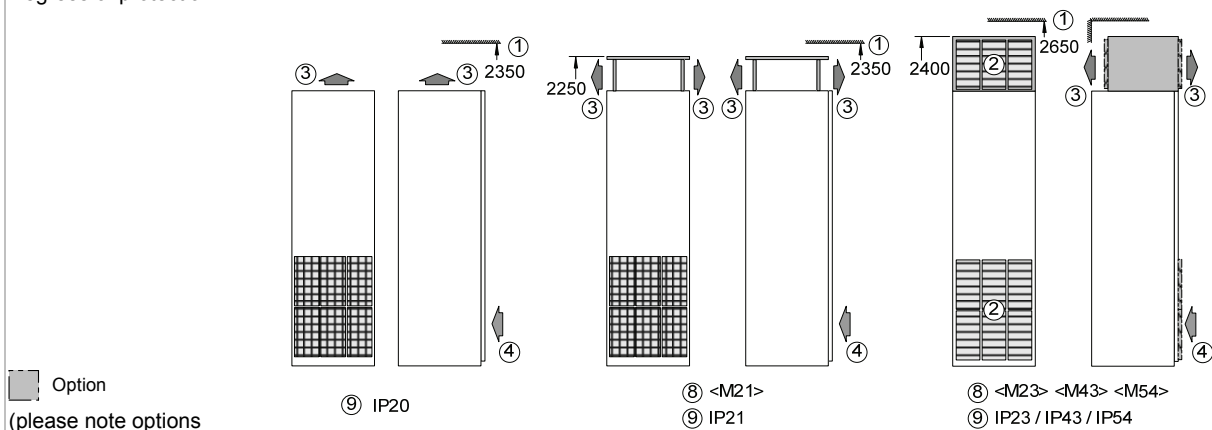
315 kW 605 A
400 kW 745 A
450 kW 840 A

6SL3710-1GE36-1AA3-Z (+L01)
6SL3710-1GE37-5AA3-Z (+L01)
6SL3710-1GE38-4AA3-Z (+L01)

Line side connection from below
Motor side connection from above <M78>



Degrees of protection:



Option

(please note options selection matrix in catalog)

Legend:

- 1 Minimum ceiling height for wall mounting
- 2 Ventilation grid
- 3 Air outlet area
- 4 Air inlet area
- 5 Cables can enter from below within hatched area
- 6 Main circuit breaker, can be secured by padlock
- 7 Power connection (7a: power supply, 7b: motor)

- 8 Degree of protection option
- 9 Degree of protection IP20
IP21 Option <M21>
IP23 Option <M23>
IP43 Option <M43>
IP54 Option <M54>
- 10 Transport unit
- 11 Line harmonics filter compact, Option <L01>

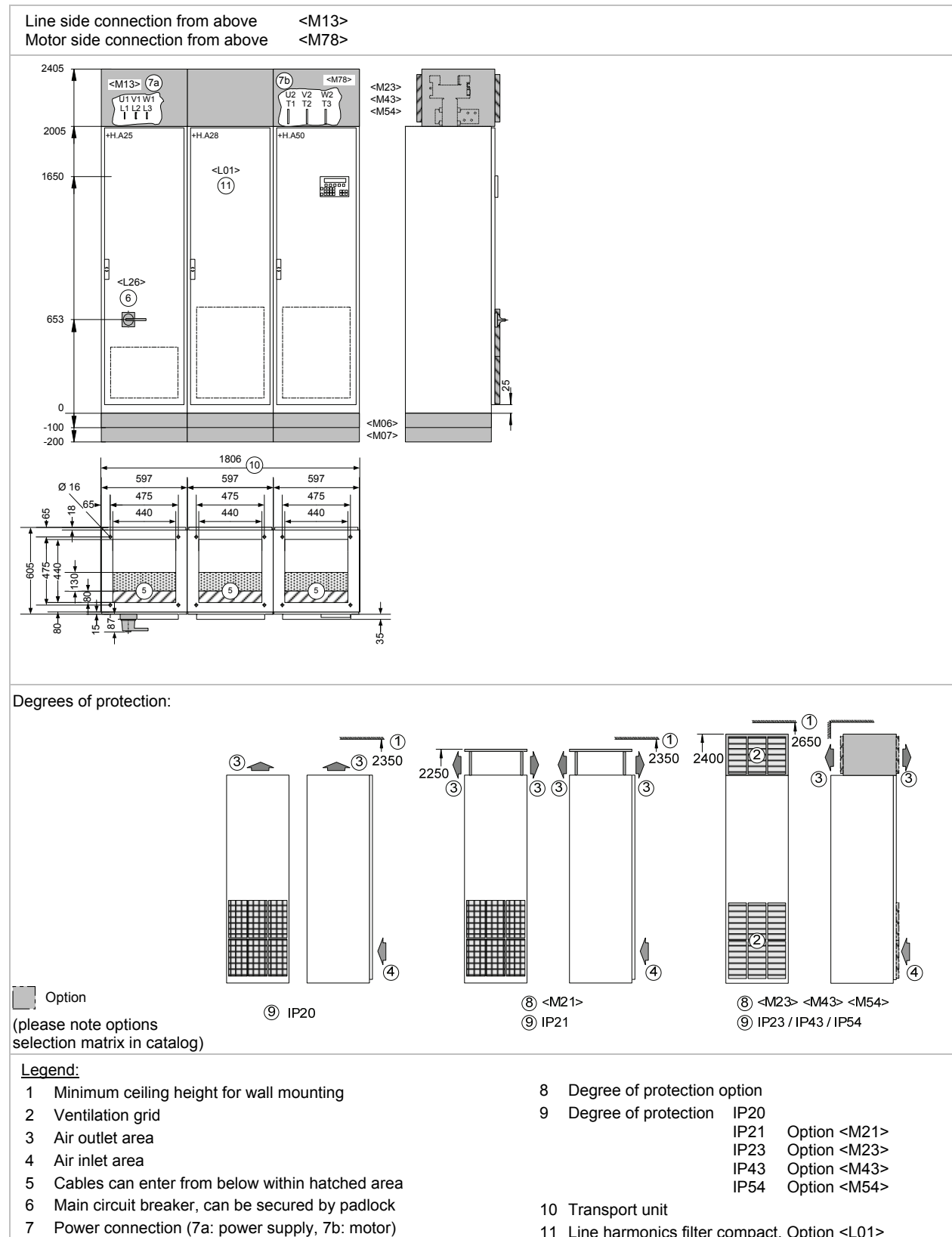
SINAMICS G150 Drive Converter Cabinet Units

Clean Power

Line voltage 380 - 480 V
Single circuit

315 kW 605 A
400 kW 745 A
450 kW 840 A

6SL3710-1GE36-1AA3-Z (+L01)
6SL3710-1GE37-5AA3-Z (+L01)
6SL3710-1GE38-4AA3-Z (+L01)



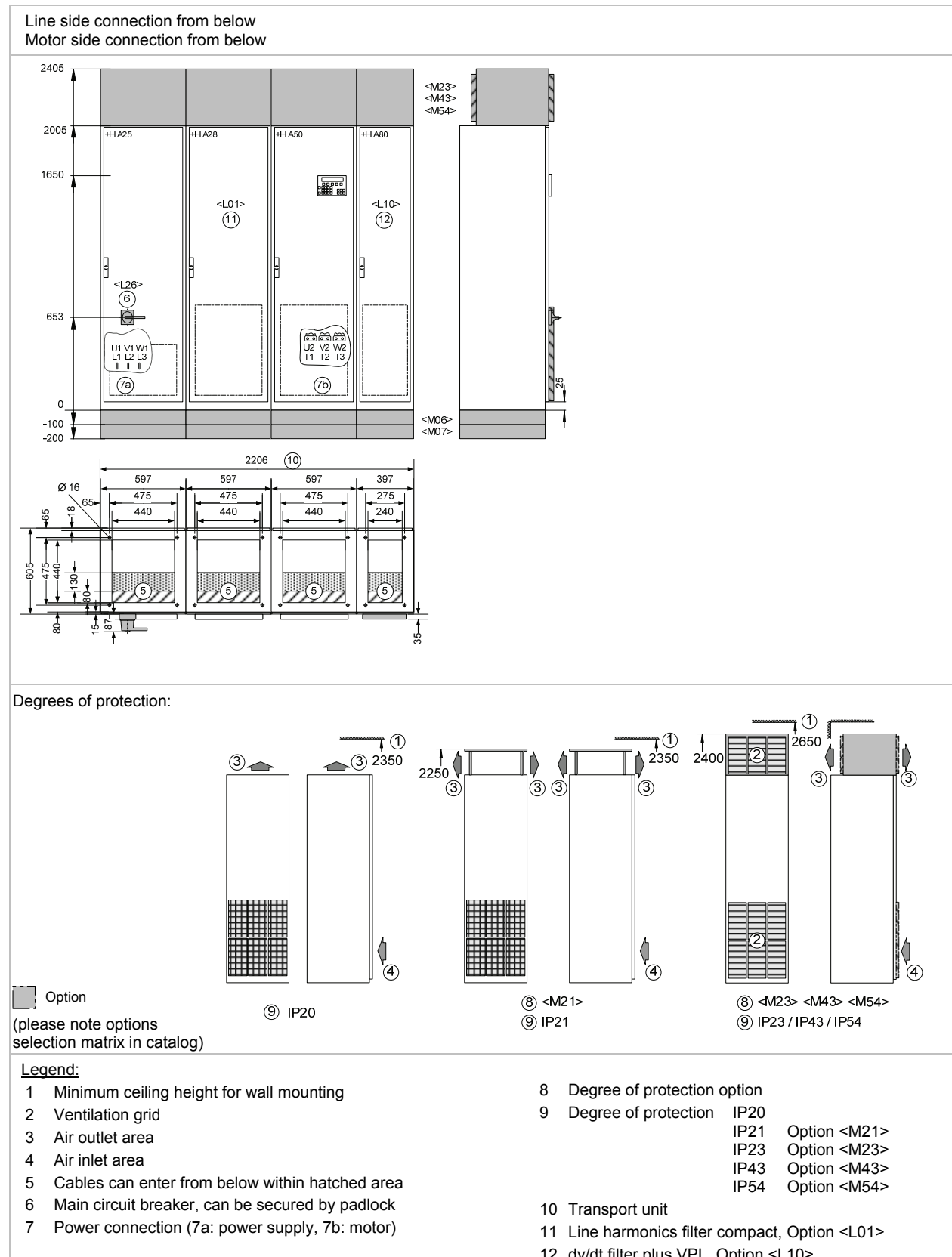
SINAMICS G150 Drive Converter Cabinet Units

Clean Power

Line voltage 380 - 480 V
Single circuit
with dv/dt filter plus VPL

315 kW 605 A
400 kW 745 A
450 kW 840 A

6SL3710-1GE36-1AA3-Z (+L01+L10)
6SL3710-1GE37-5AA3-Z (+L01+L10)
6SL3710-1GE38-4AA3-Z (+L01+L10)



SINAMICS G150 Drive Converter Cabinet Units

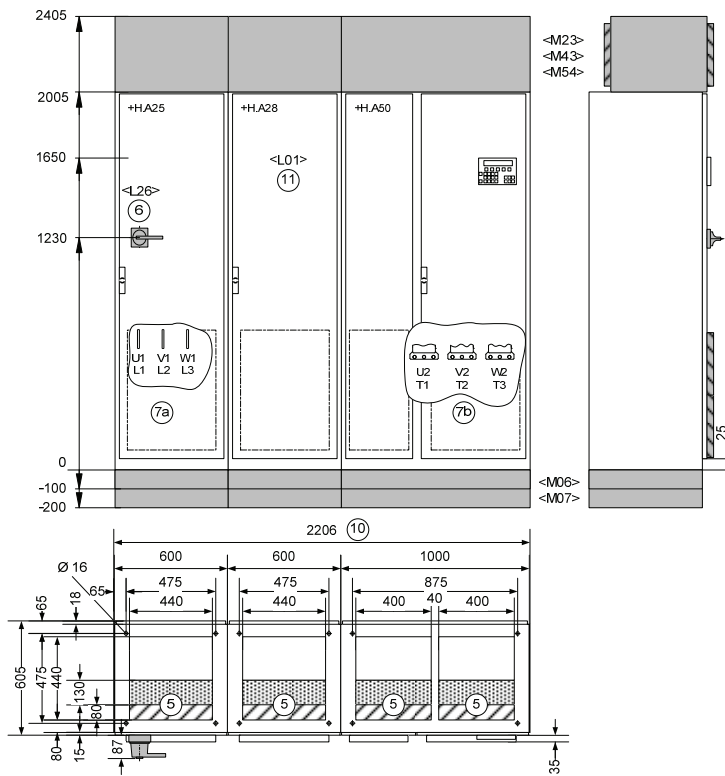
Clean Power

Line voltage 380 - 480 V
Single circuit

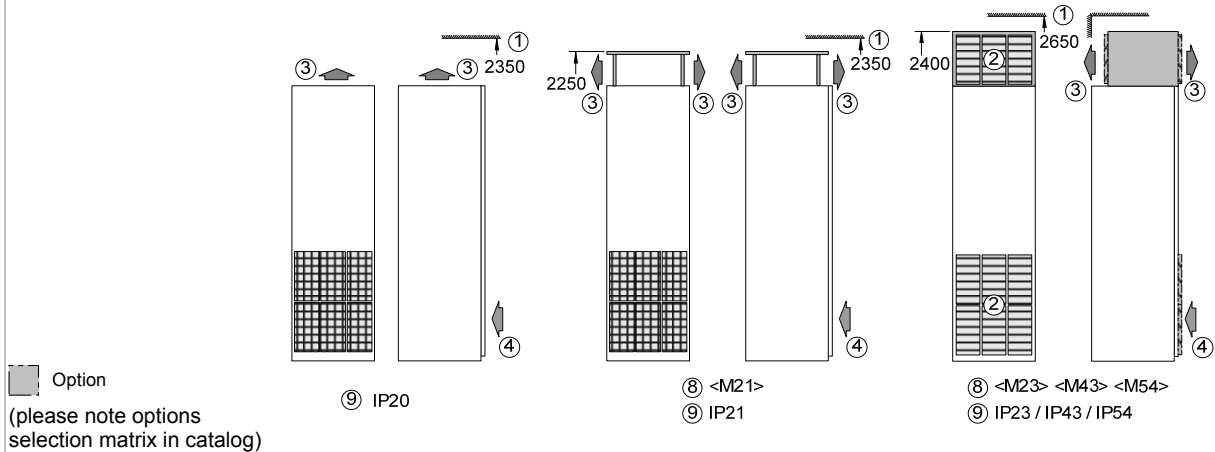
560 kW 985 A

6SL3710-1GE41-0AA3-Z (+L01)

Line side connection from below
Motor side connection from below



Degrees of protection:



Legend:

- 1 Minimum ceiling height for wall mounting
- 2 Ventilation grid
- 3 Air outlet area
- 4 Air inlet area
- 5 Cables can enter from below within hatched area
- 6 Main circuit breaker, can be secured by padlock
- 7 Power connection (7a: power supply, 7b: motor)

- 8 Degree of protection option
- 9 Degree of protection IP20
IP21 Option <M21>
IP23 Option <M23>
IP43 Option <M43>
IP54 Option <M54>
- 10 Transport unit
- 11 Line harmonics filter compact, Option <L01>

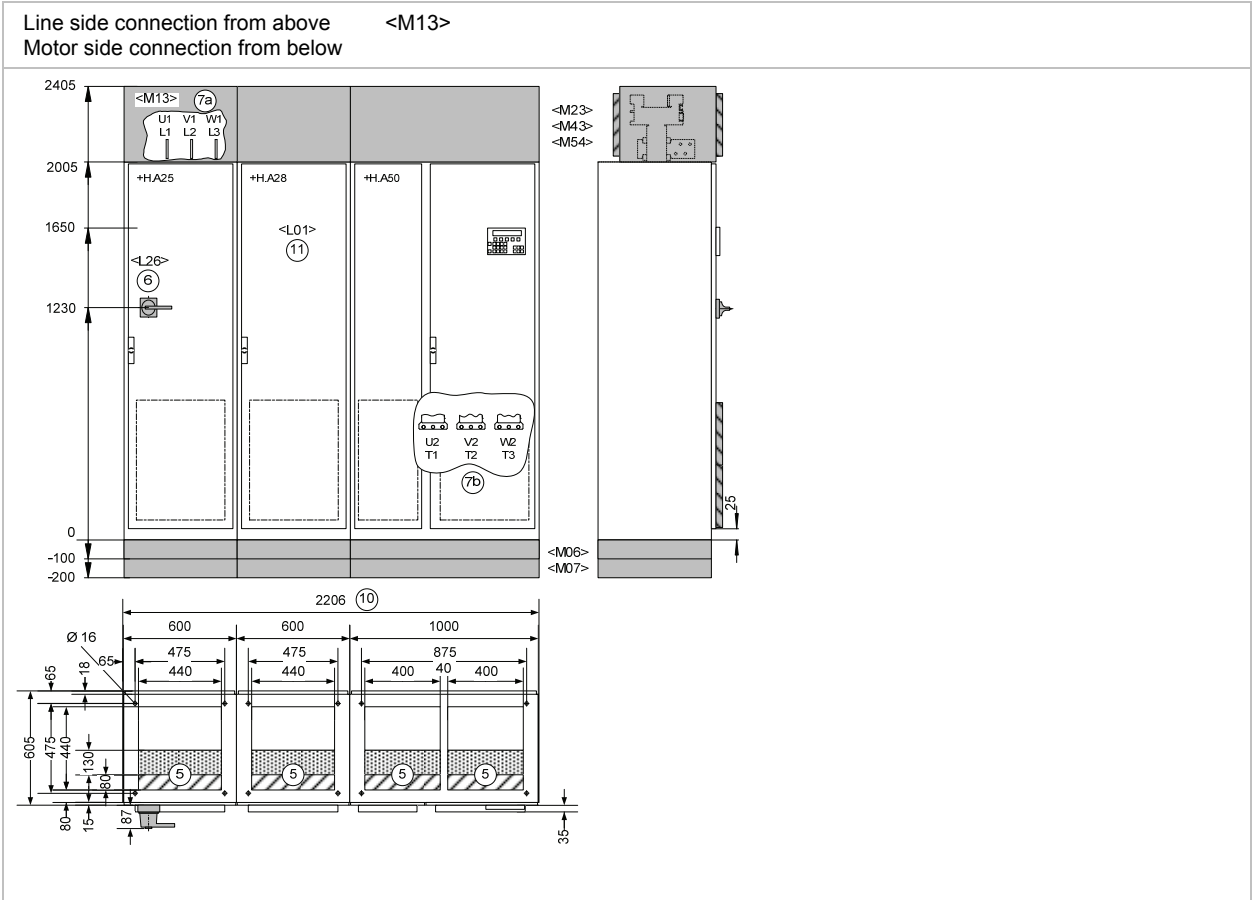
SINAMICS G150 Drive Converter Cabinet Units

Clean Power

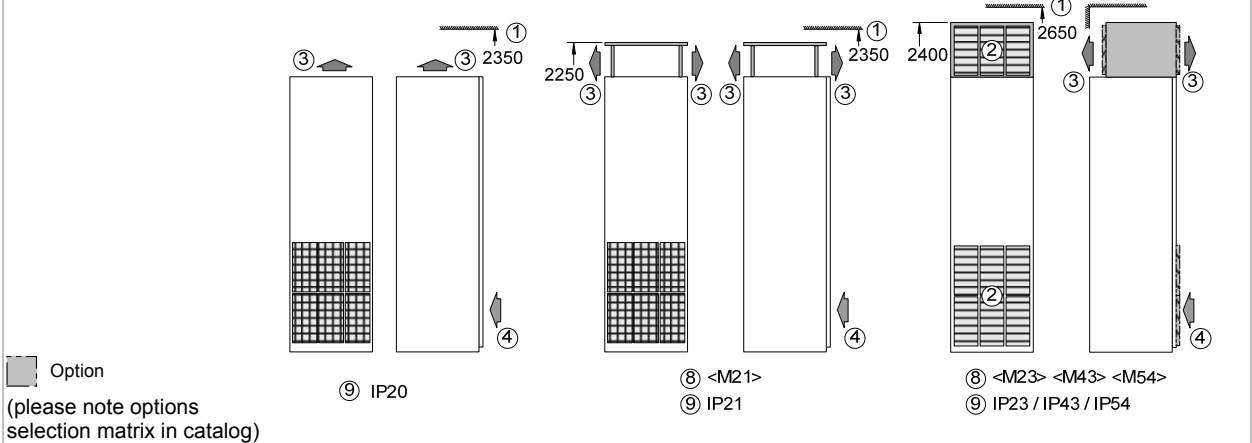
Line voltage 380 - 480 V
Single circuit

560 kW 985 A

6SL3710-1GE41-0AA3-Z (+L01)



Degrees of protection:



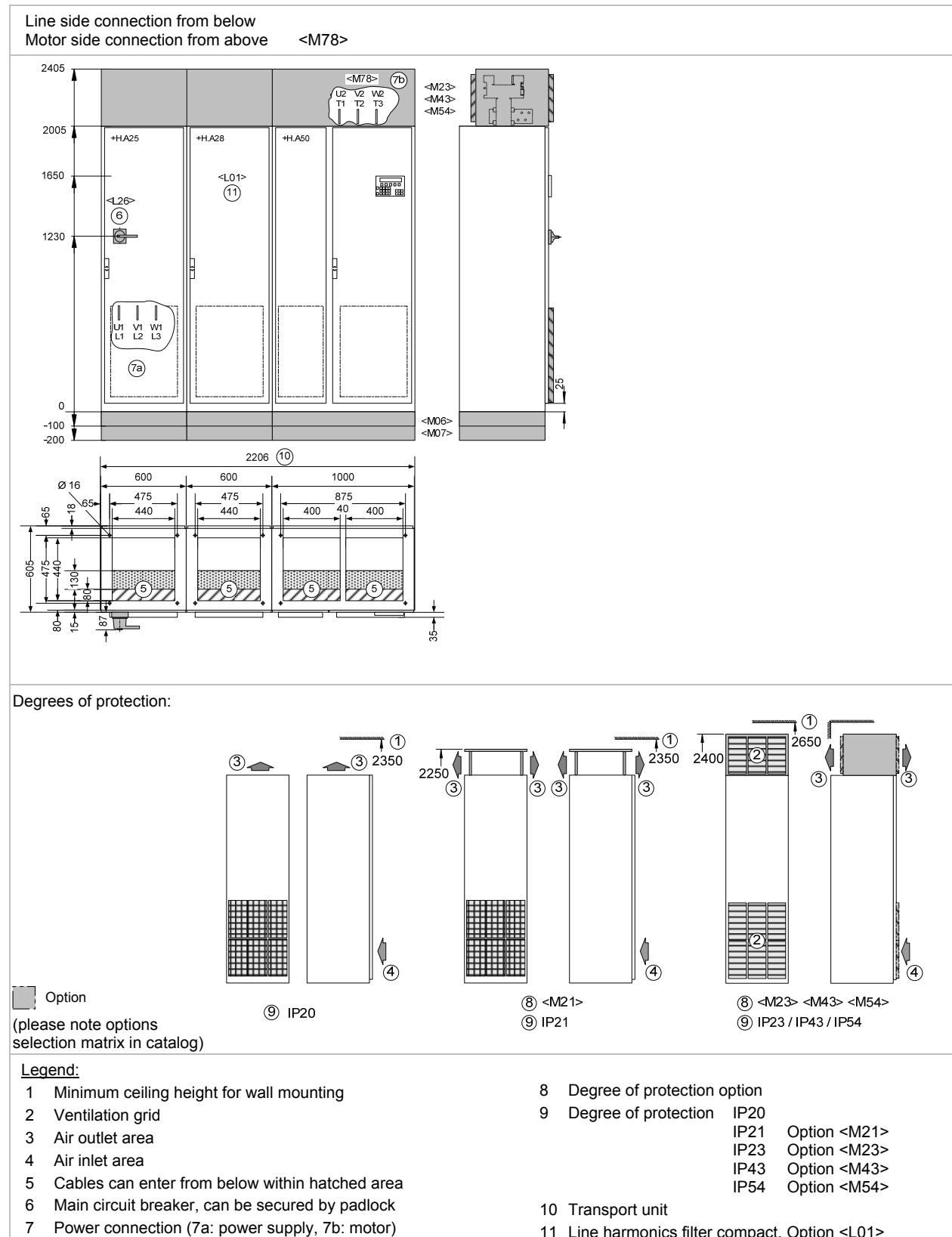
SINAMICS G150 Drive Converter Cabinet Units

Clean Power

Line voltage 380 - 480 V
Single circuit

560 kW 985 A

6SL3710-1GE41-0AA3-Z (+L01)



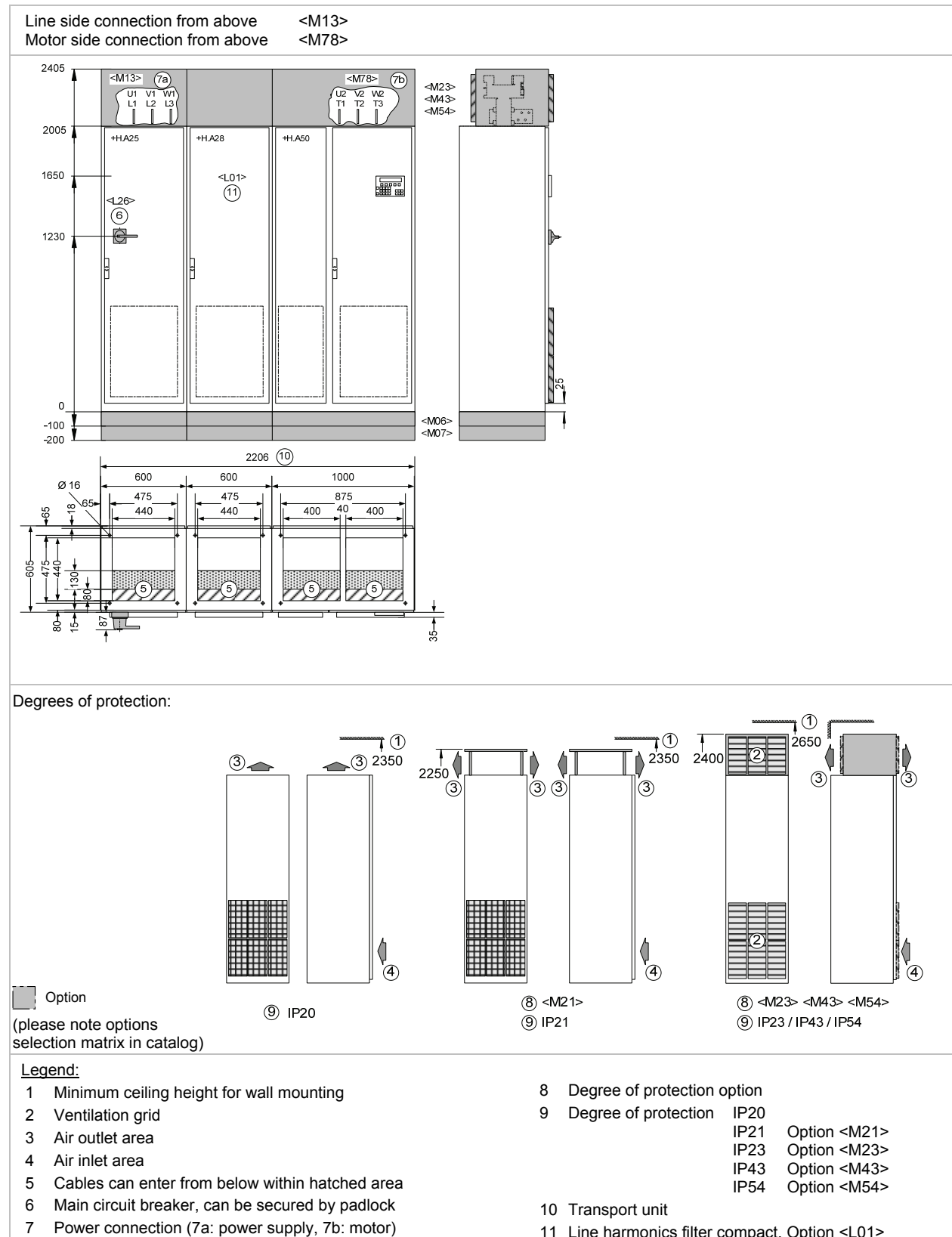
SINAMICS G150 Drive Converter Cabinet Units

Clean Power

Line voltage 380 - 480 V
Single circuit

560 kW 985 A

6SL3710-1GE41-0AA3-Z (+L01)



SINAMICS G150 Drive Converter Cabinet Units

Clean Power

Line voltage 380 - 480 V

560 kW

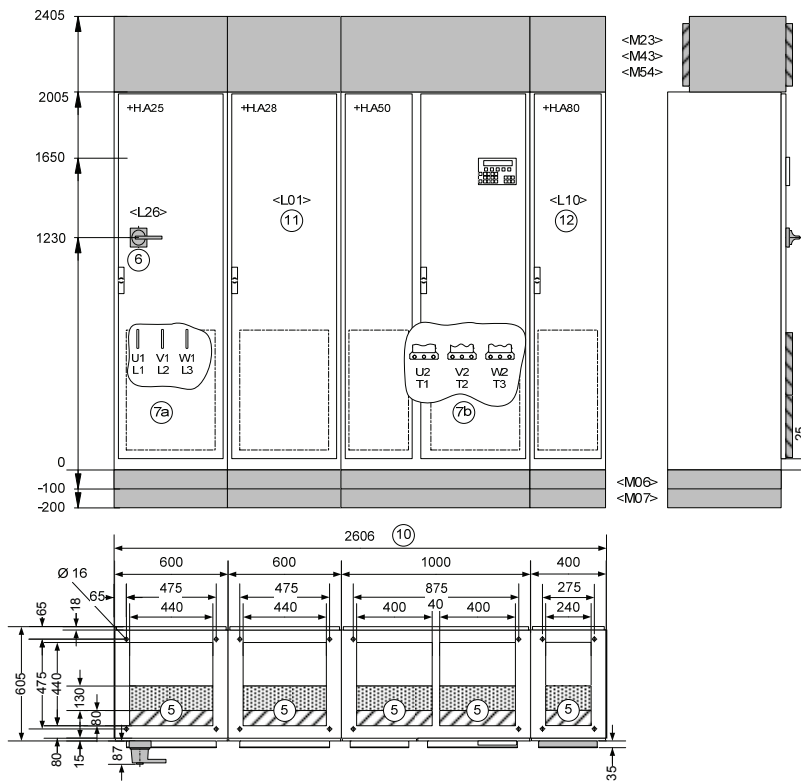
985 A

6SL3710-1GE41-0AA3-Z (+L01+L10)

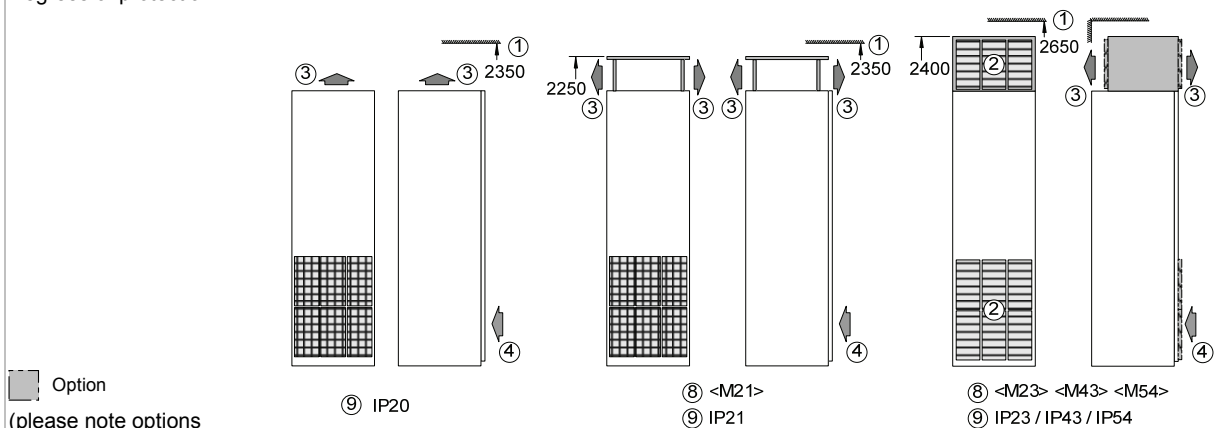
Single circuit

with dv/dt filter plus VPL

Line side connection from below
Motor side connection from below



Degrees of protection:



Option
(please note options selection matrix in catalog)

Legend:

- 1 Minimum ceiling height for wall mounting
- 2 Ventilation grid
- 3 Air outlet area
- 4 Air inlet area
- 5 Cables can enter from below within hatched area
- 6 Main circuit breaker, can be secured by padlock
- 7 Power connection (7a: power supply, 7b: motor)

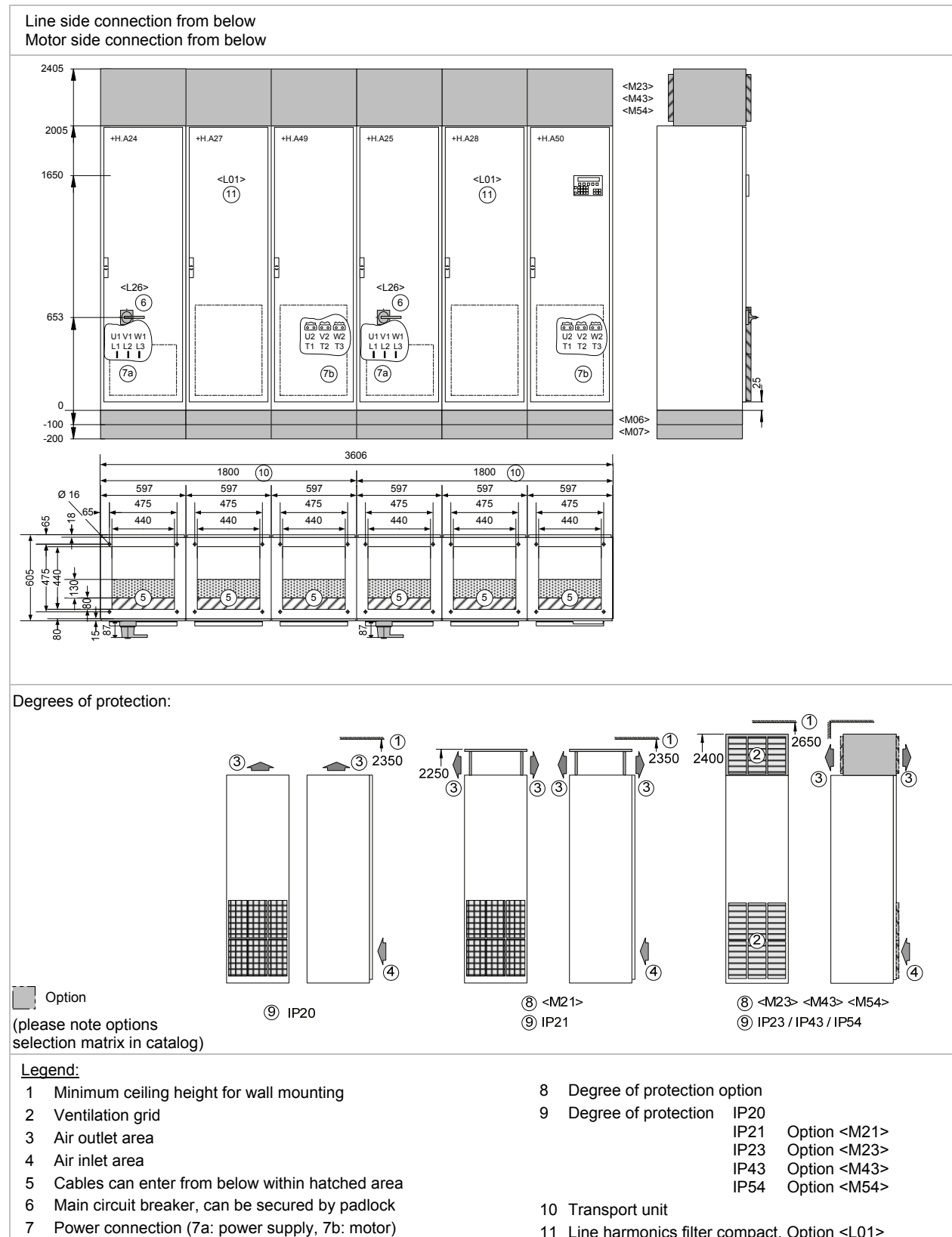
- 8 Degree of protection option
- 9 Degree of protection IP20
IP21 Option <M21>
IP23 Option <M23>
IP43 Option <M43>
IP54 Option <M54>
- 10 Transport unit
- 11 Line harmonics filter compact, Option <L01>
- 12 dv/dt filter plus VPL, Option <L10>

SINAMICS G150 Drive Converter Cabinet Units

Line voltage 380 - 480 V
Parallel circuit

630 kW 1120 A

Clean Power
6SL3710-2GE41-1AA3-Z (+L01)



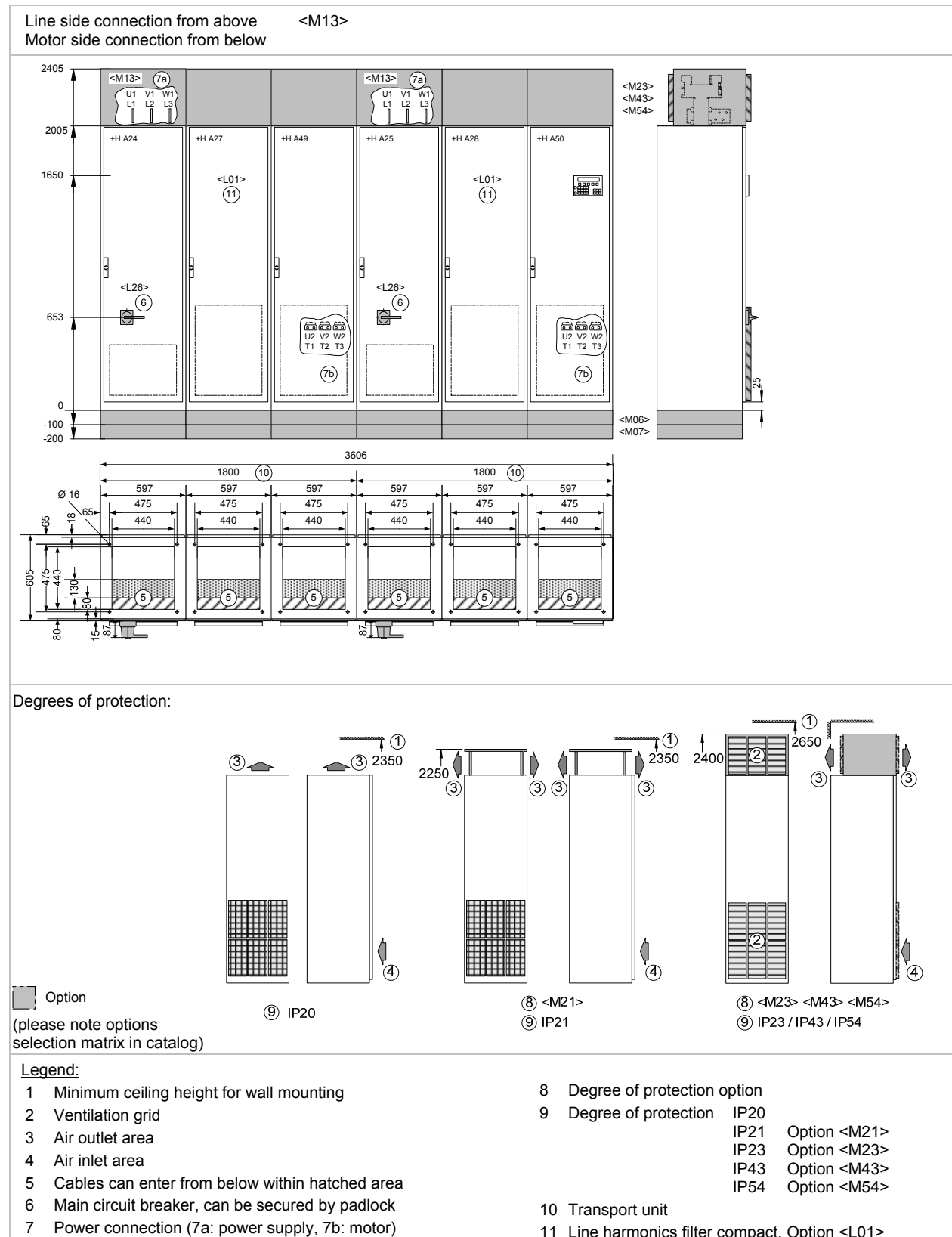
SINAMICS G150 Drive Converter Cabinet Units

Clean Power

Line voltage 380 - 480 V
Parallel circuit

630 kW 1120 A

6SL3710-2GE41-1AA3-Z (+L01)



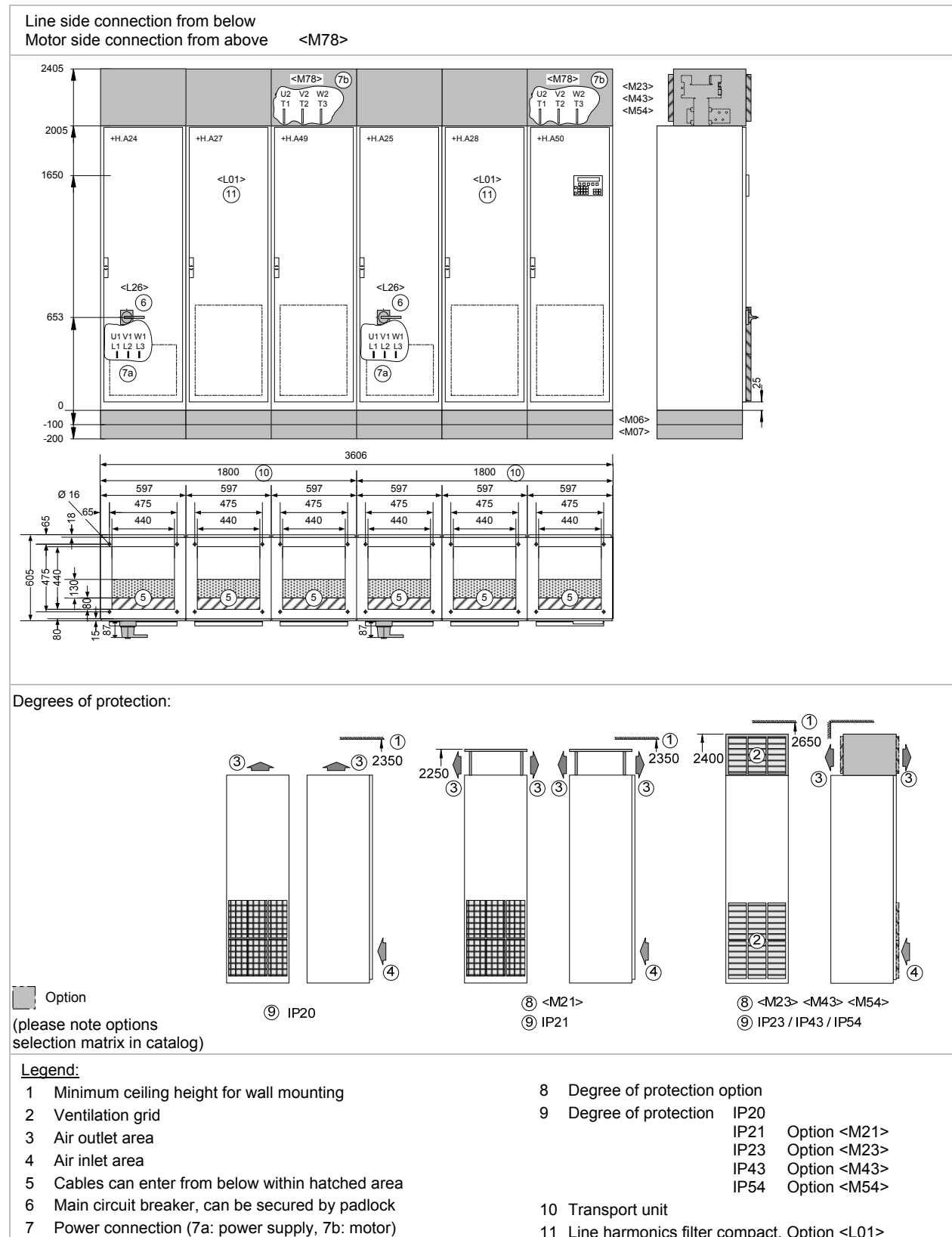
SINAMICS G150 Drive Converter Cabinet Units

Clean Power

Line voltage 380 - 480 V
Parallel circuit

630 kW 1120 A

6SL3710-2GE41-1AA3-Z (+L01)



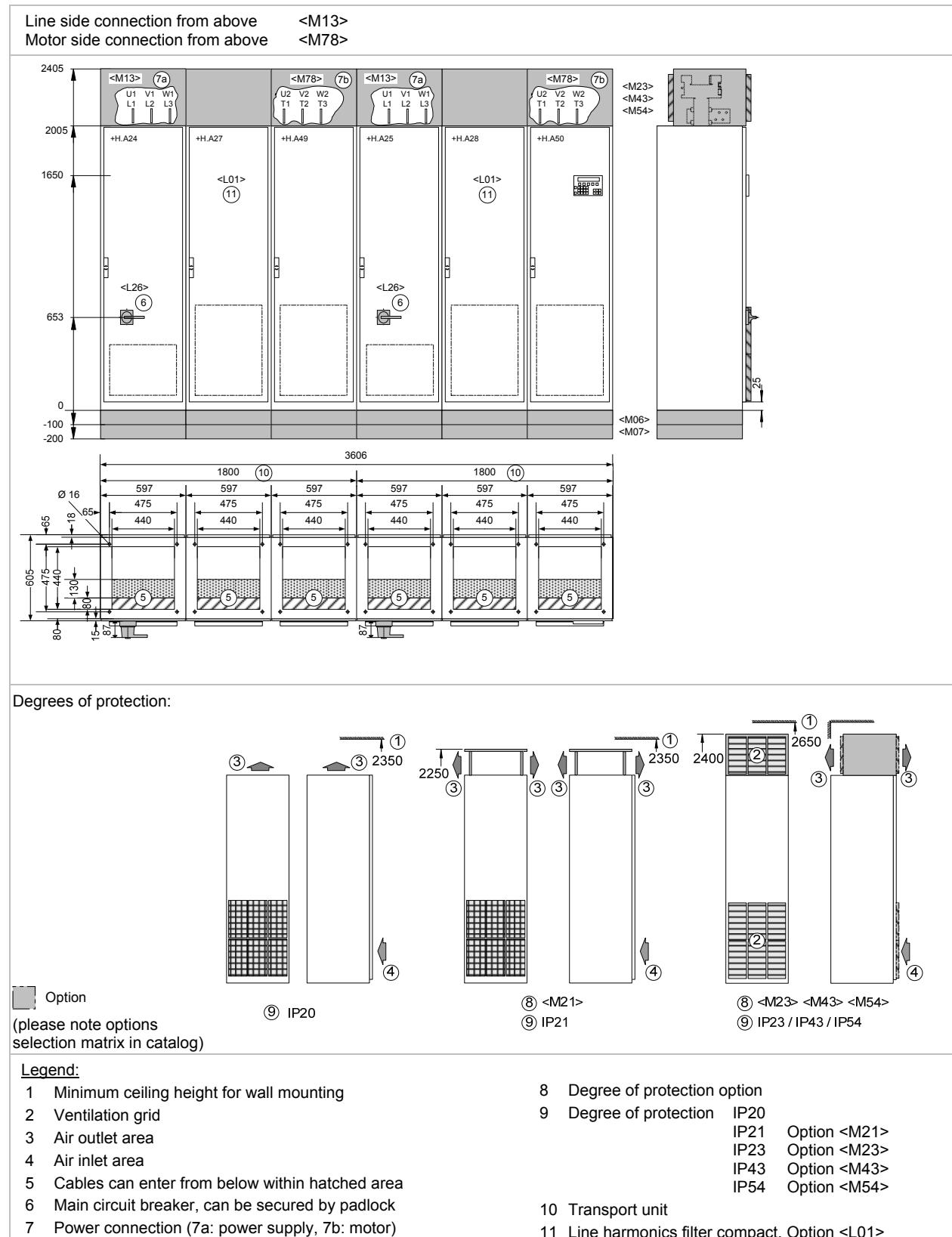
SINAMICS G150 Drive Converter Cabinet Units

Clean Power

Line voltage 380 - 480 V
Parallel circuit

630 kW 1120 A

6SL3710-2GE41-1AA3-Z (+L01)



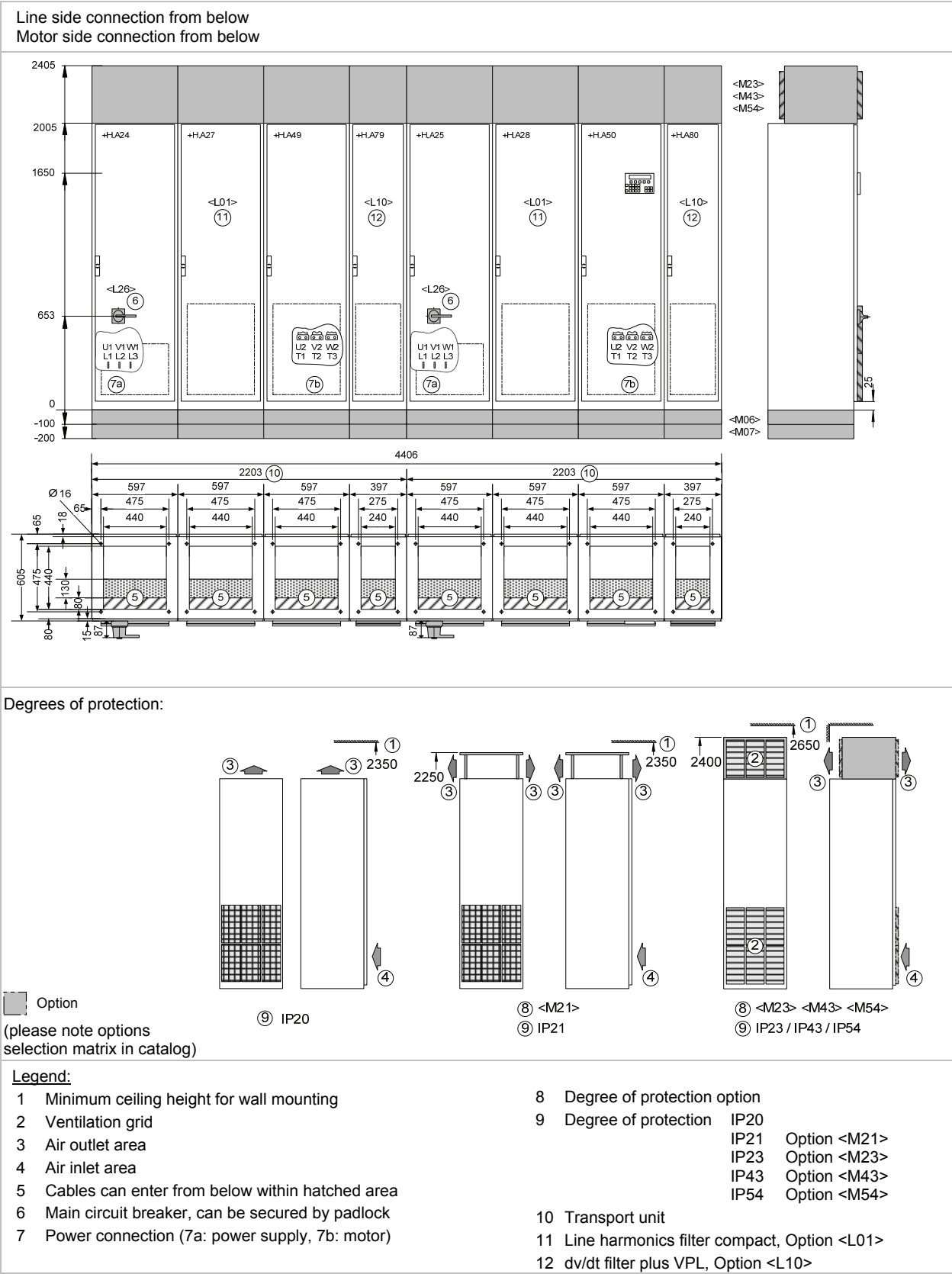
SINAMICS G150 Drive Converter Cabinet Units

Clean Power

Line voltage 380 - 480 V
Parallel circuit
with dv/dt filter plus VPL

630 kW 1120 A

6SL3710-2GE41-1AA3-Z (+L01+L10)

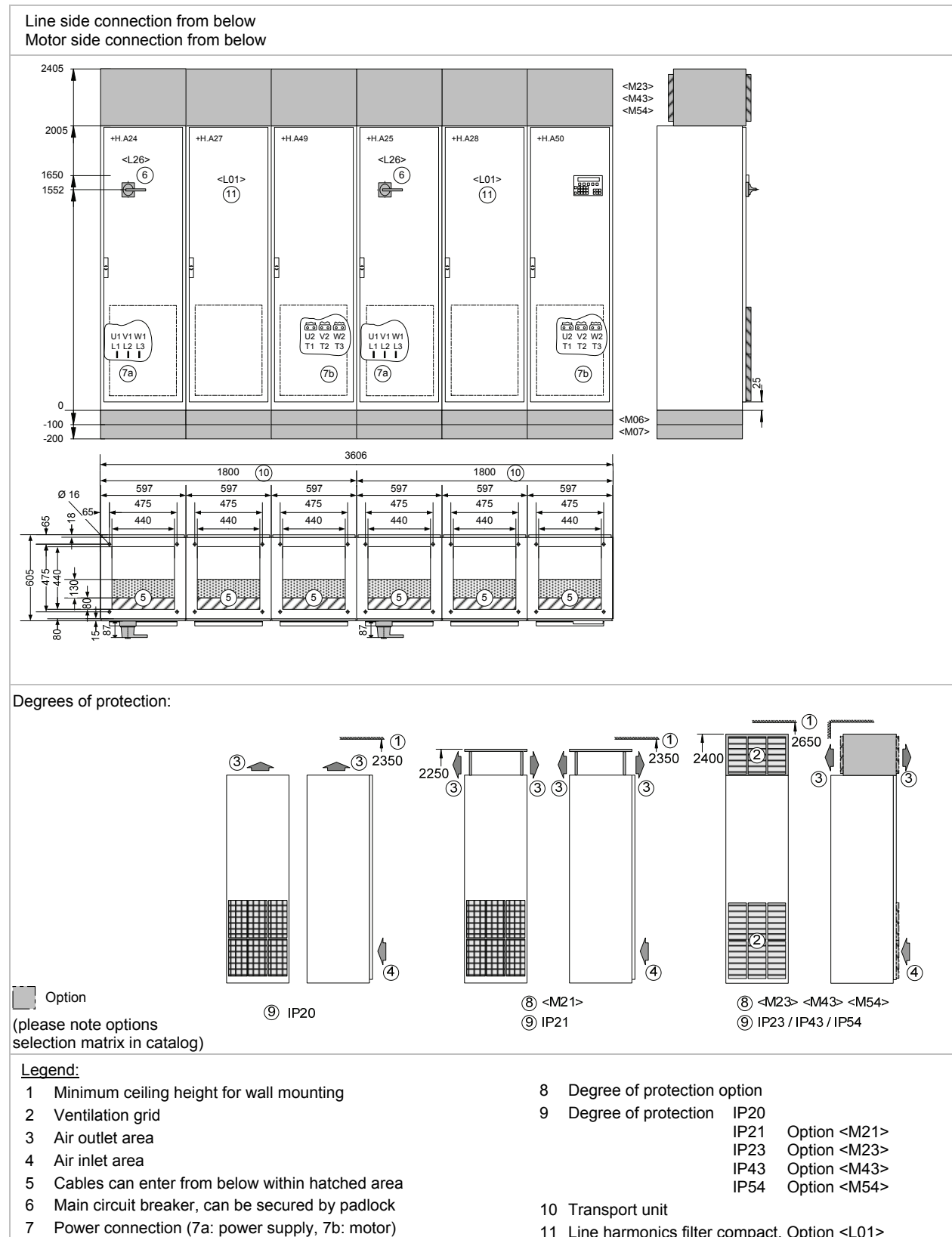


SINAMICS G150 Drive Converter Cabinet Units

Line voltage 380 - 480 V
Parallel circuit

710 kW 1380 A

Clean Power
6SL3710-2GE41-4AA3-Z (+L01)



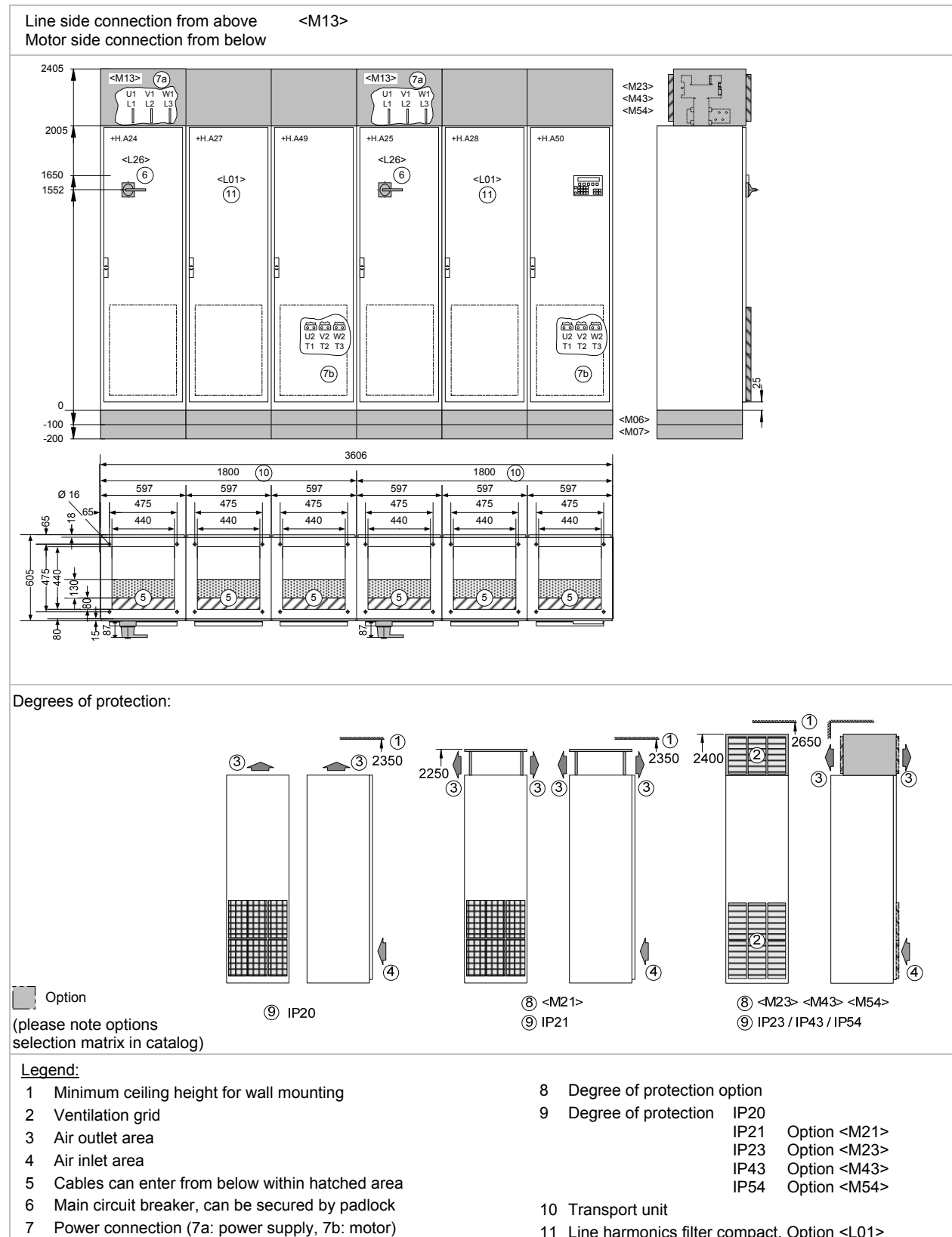
SINAMICS G150 Drive Converter Cabinet Units

Clean Power

Line voltage 380 - 480 V
Parallel circuit

710 kW 1380 A

6SL3710-2GE41-4AA3-Z (+L01)



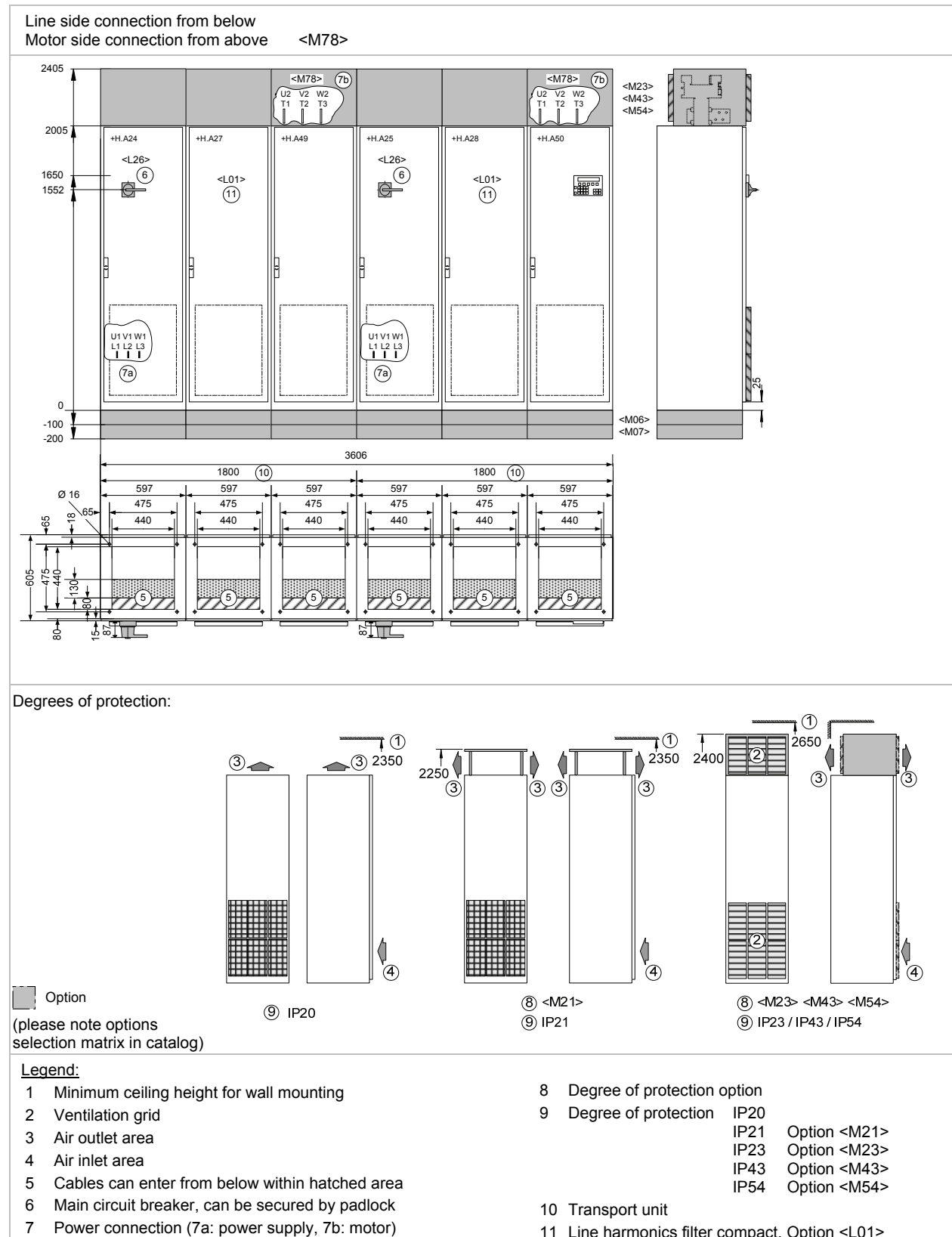
SINAMICS G150 Drive Converter Cabinet Units

Clean Power

Line voltage 380 - 480 V
Parallel circuit

710 kW 1380 A

6SL3710-2GE41-4AA3-Z (+L01)



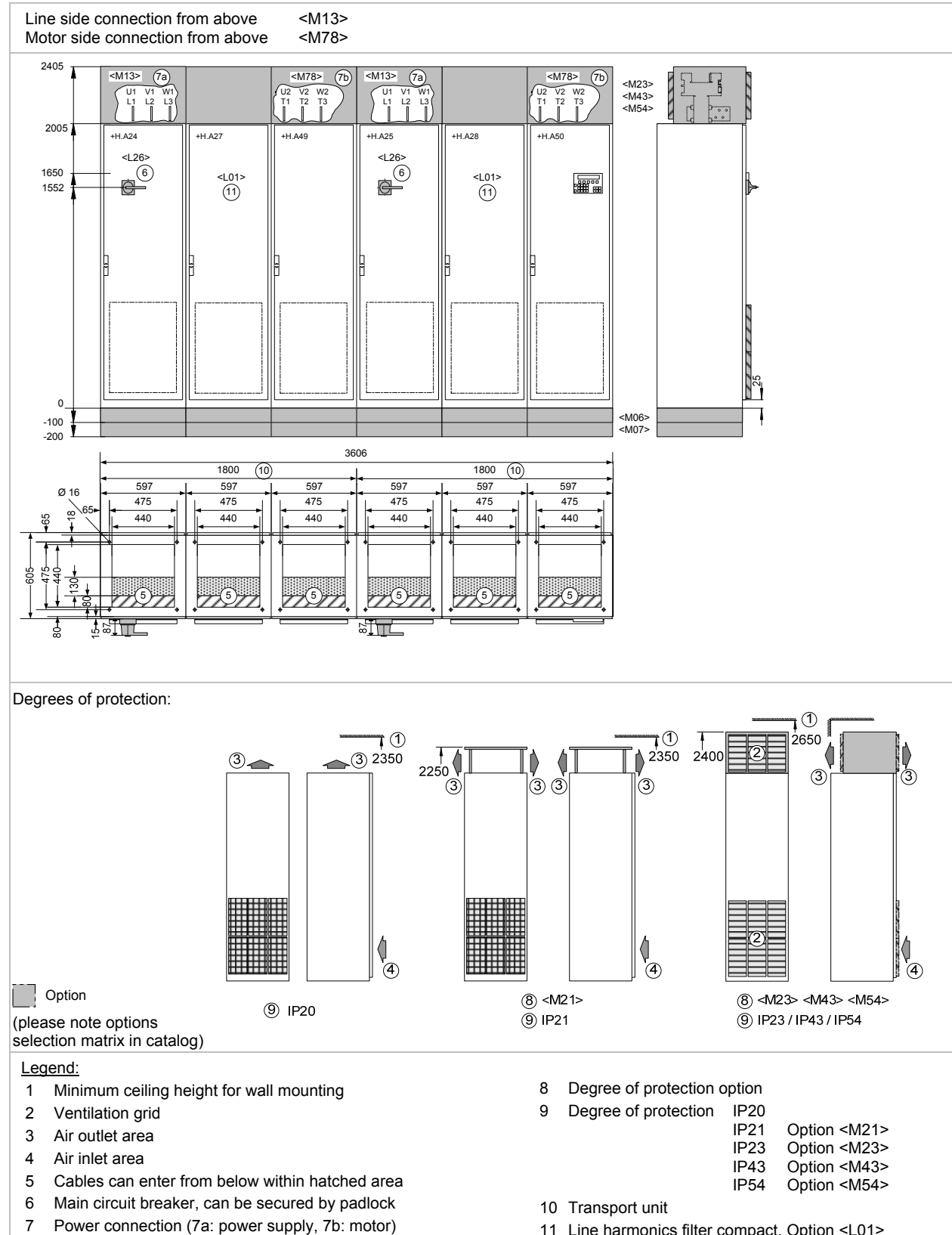
SINAMICS G150 Drive Converter Cabinet Units

Clean Power

Line voltage 380 - 480 V
Parallel circuit

710 kW 1380 A

6SL3710-2GE41-4AA3-Z (+L01)



SINAMICS G150 Drive Converter Cabinet Units

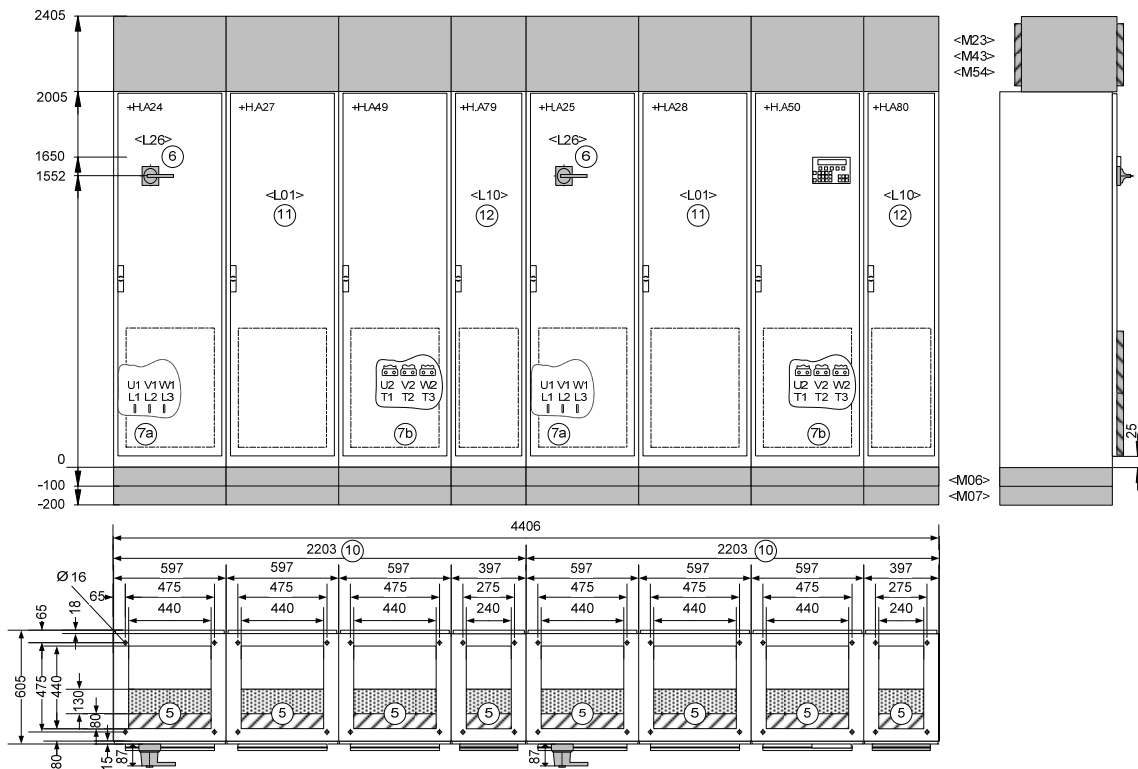
Clean Power

Line voltage 380 - 480 V
Parallel circuit
with dv/dt filter plus VPL

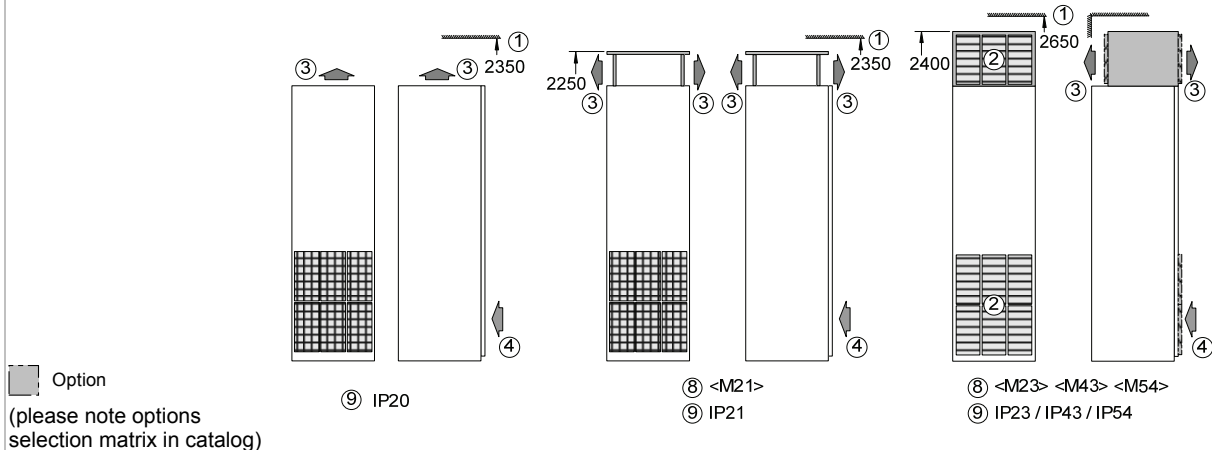
710 kW 1380 A

6SL3710-2GE41-4AA3-Z (+L01+L10)

Line side connection from below
Motor side connection from below



Degrees of protection:



Legend:

- 1 Minimum ceiling height for wall mounting
- 2 Ventilation grid
- 3 Air outlet area
- 4 Air inlet area
- 5 Cables can enter from below within hatched area
- 6 Main circuit breaker, can be secured by padlock
- 7 Power connection (7a: power supply, 7b: motor)
- 8 Degree of protection option
- 9 Degree of protection IP20
IP21 Option <M21>
IP23 Option <M23>
IP43 Option <M43>
IP54 Option <M54>
- 10 Transport unit
- 11 Line harmonics filter compact, Option <L01>
- 12 dv/dt filter plus VPL, Option <L10>

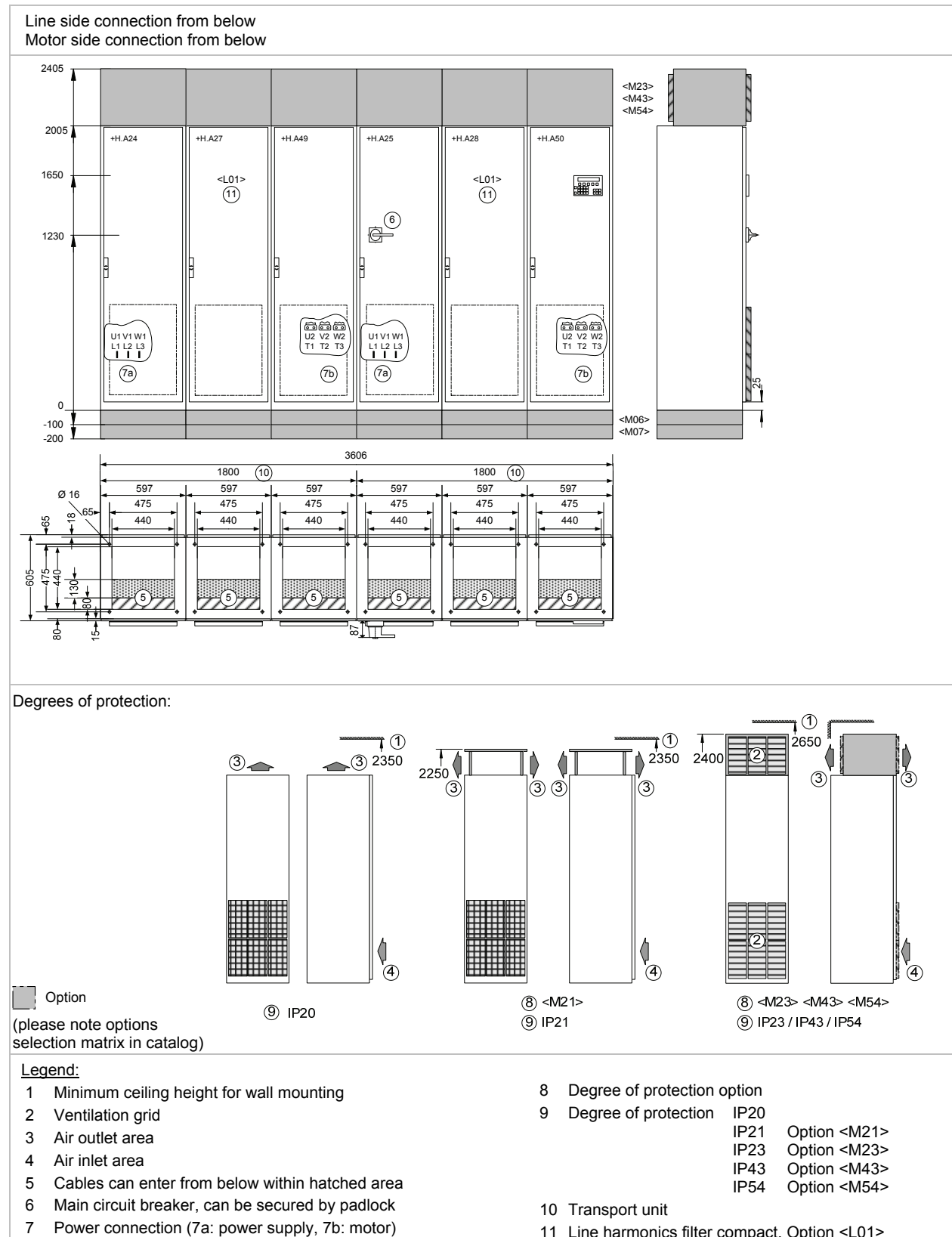
SINAMICS G150 Drive Converter Cabinet Units

Clean Power

Line voltage 380 - 480 V
Parallel circuit

900 kW 1560 A

6SL3710-2GE41-6AA3-Z (+L01)



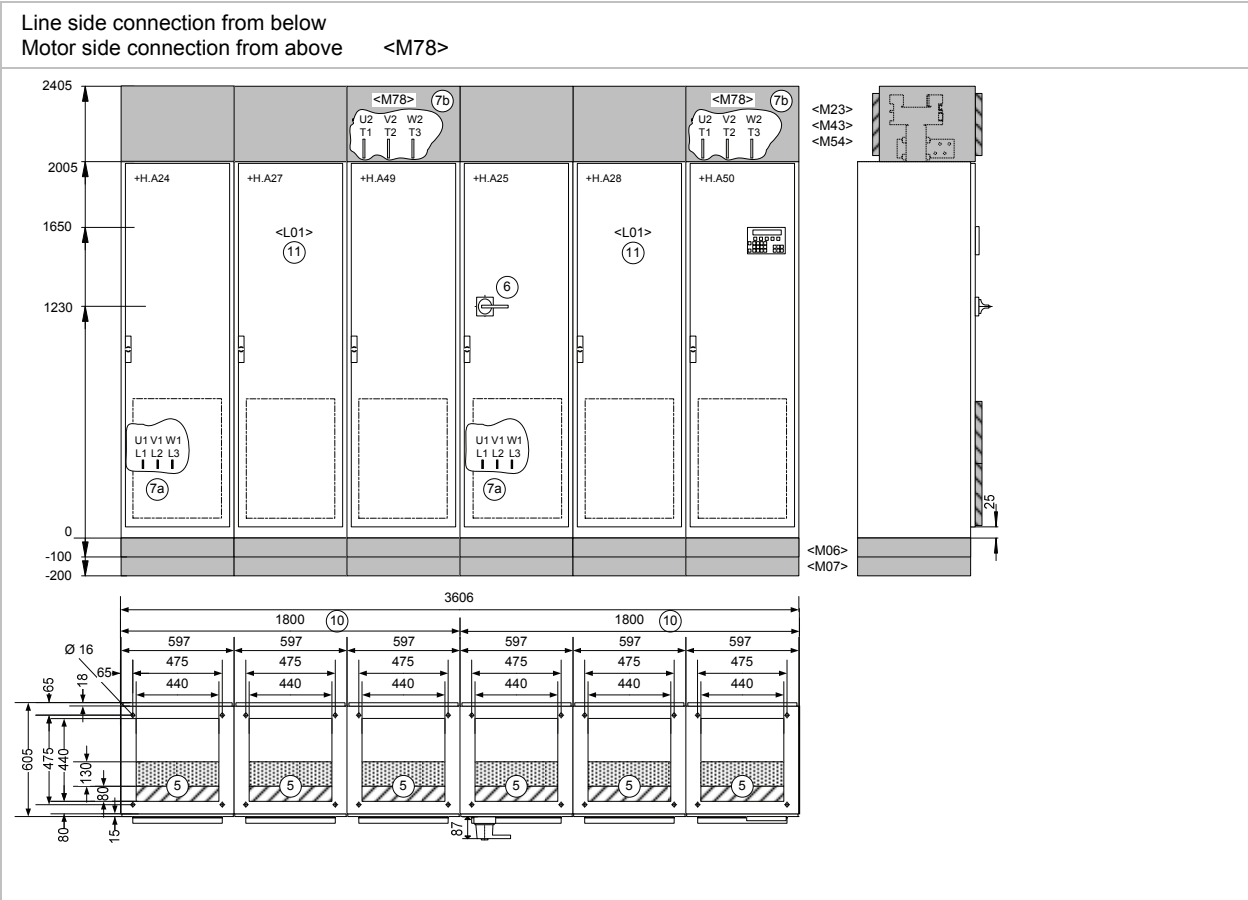
SINAMICS G150 Drive Converter Cabinet Units

Clean Power

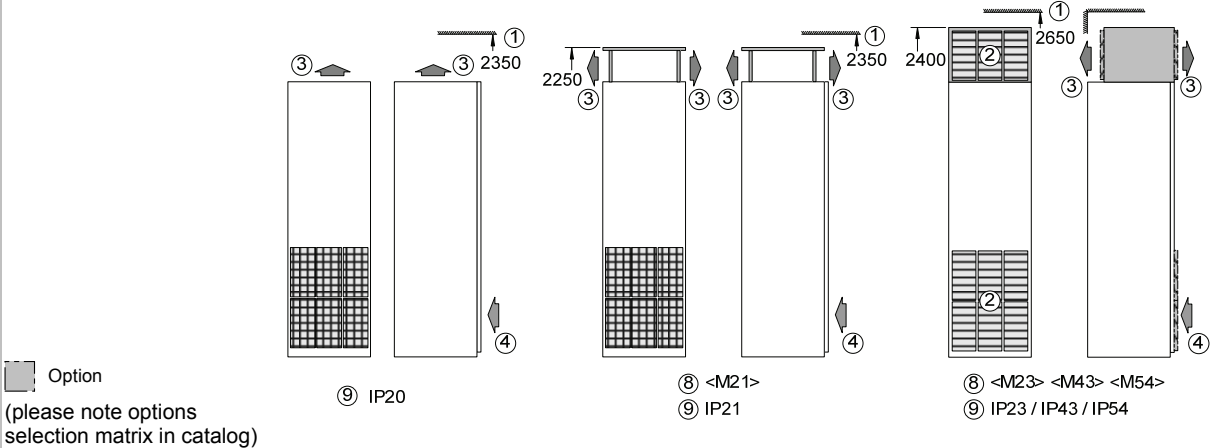
Line voltage 380 - 480 V
Parallel circuit

900 kW 1560 A

6SL3710-2GE41-6AA3-Z (+L01)



Degrees of protection:



Legend:

- 1 Minimum ceiling height for wall mounting
- 2 Ventilation grid
- 3 Air outlet area
- 4 Air inlet area
- 5 Cables can enter from below within hatched area
- 6 Main circuit breaker, can be secured by padlock
- 7 Power connection (7a: power supply, 7b: motor)
- 8 Degree of protection option
- 9 Degree of protection IP20
IP21 Option <M21>
IP23 Option <M23>
IP43 Option <M43>
IP54 Option <M54>
- 10 Transport unit
- 11 Line harmonics filter compact, Option <L01>

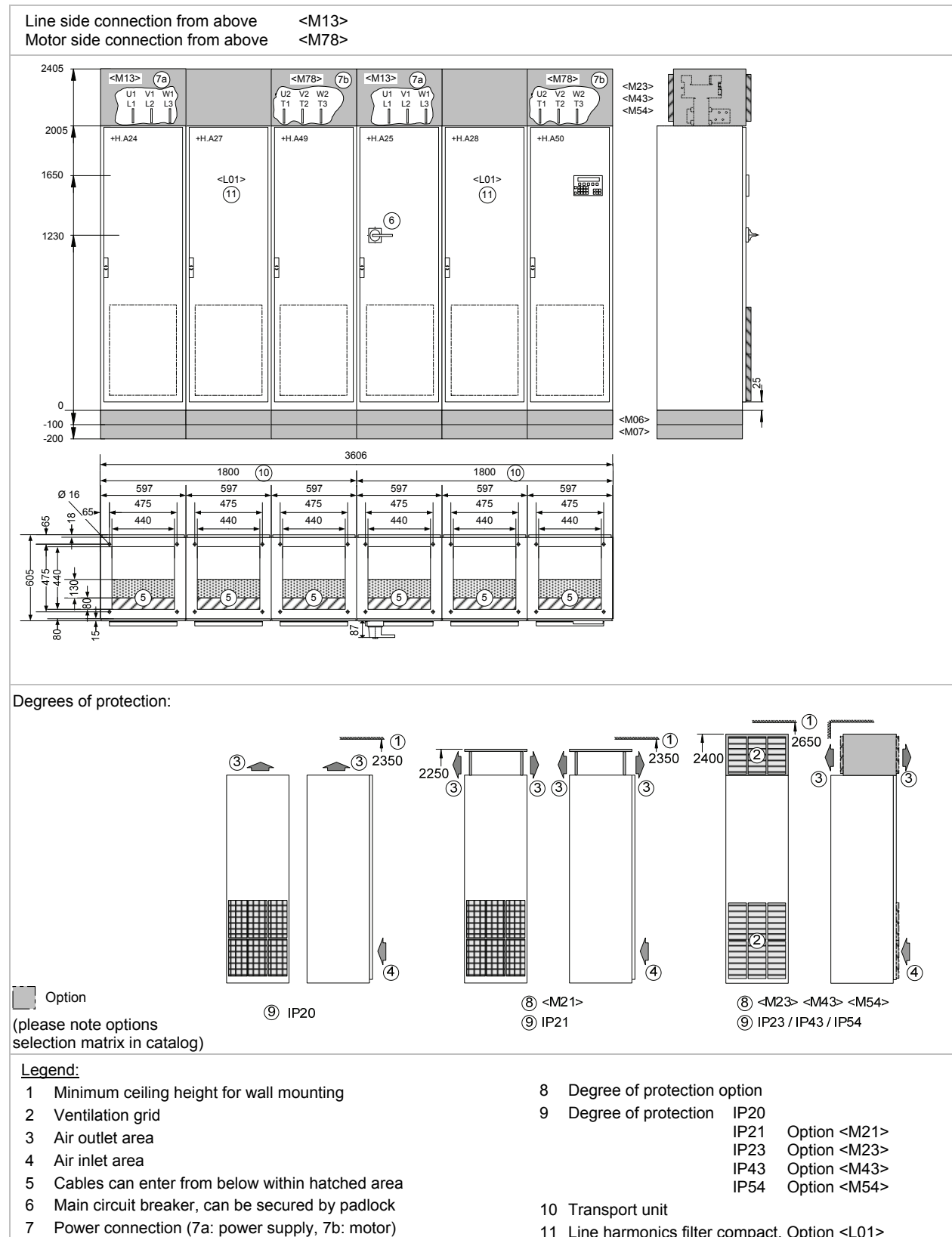
SINAMICS G150 Drive Converter Cabinet Units

Clean Power

Line voltage 380 - 480 V
Parallel circuit

900 kW 1560 A

6SL3710-2GE41-6AA3-Z (+L01)



SINAMICS G150 Drive Converter Cabinet Units

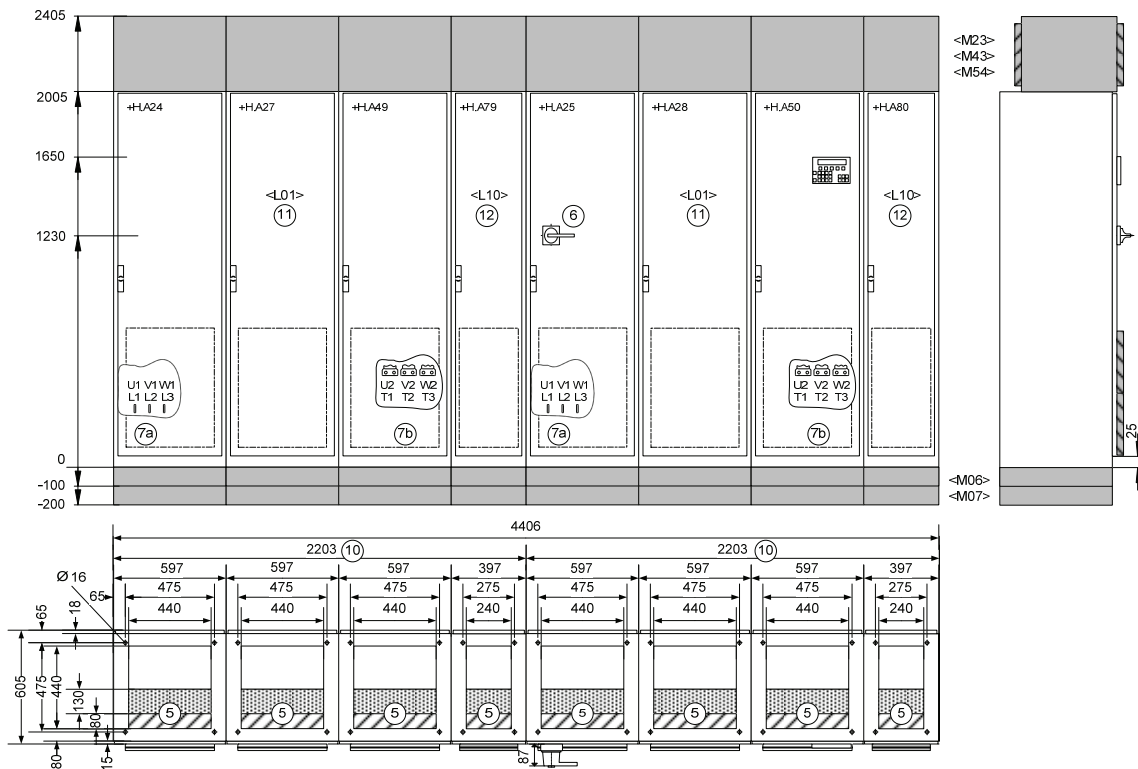
Clean Power

Line voltage 380 - 480 V
Parallel circuit
with dv/dt filter plus VPL

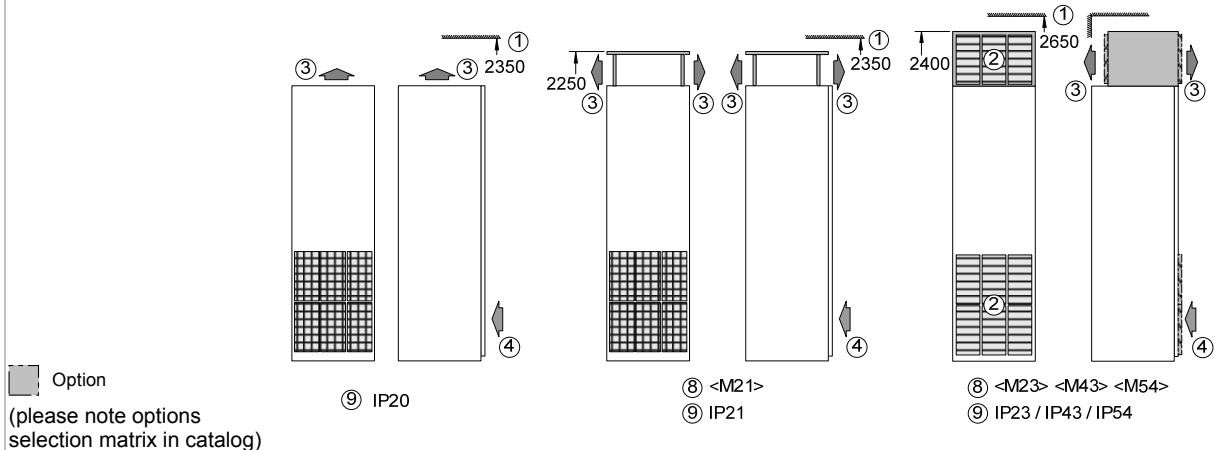
900 kW 1560 A

6SL3710-2GE41-6AA3-Z (+L01+L10)

Line side connection from below
Motor side connection from below



Degrees of protection:



Legend:

- 1 Minimum ceiling height for wall mounting
- 2 Ventilation grid
- 3 Air outlet area
- 4 Air inlet area
- 5 Cables can enter from below within hatched area
- 6 Main circuit breaker, can be secured by padlock
- 7 Power connection (7a: power supply, 7b: motor)

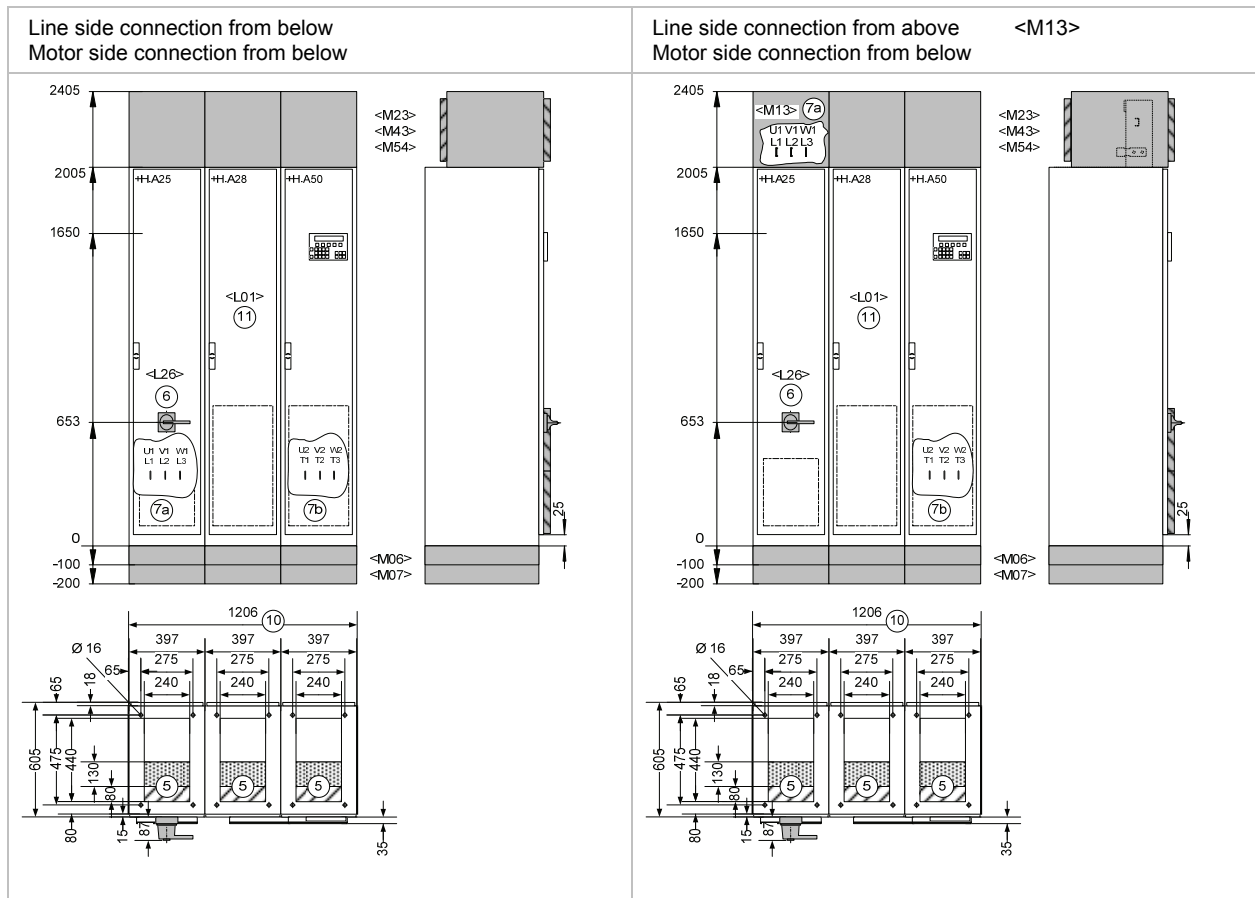
- 8 Degree of protection option
- 9 Degree of protection IP20
IP21 Option <M21>
IP23 Option <M23>
IP43 Option <M43>
IP54 Option <M54>
- 10 Transport unit
- 11 Line harmonics filter compact, Option <L01>
- 12 dv/dt filter plus VPL, Option <L10>

SINAMICS G150 Drive Converter Cabinet Units

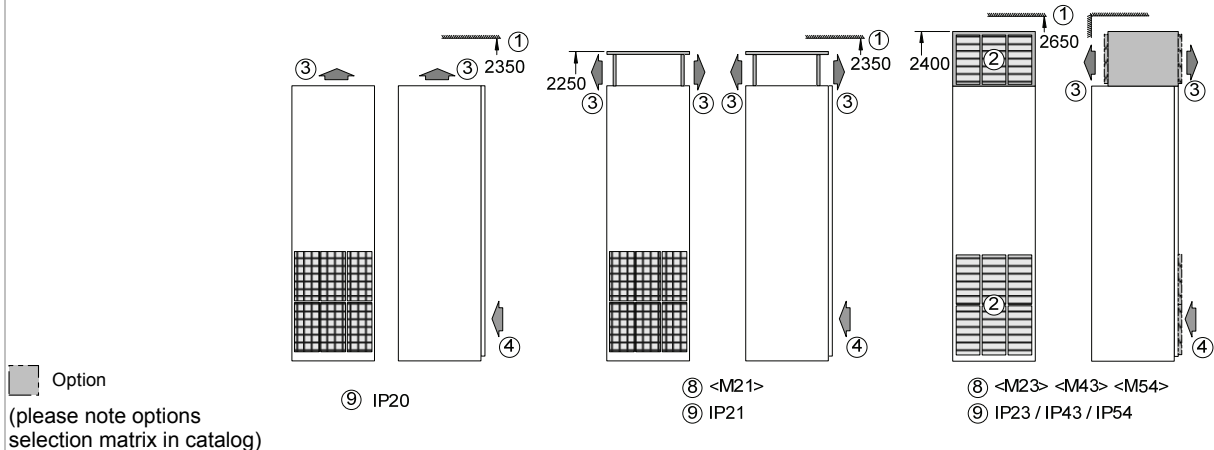
Clean Power

Line voltage 500 – 600 V
Single circuit

110 kW	175 A	6SL3710-1GF31-8AA3-Z (+L01)
132 kW	215 A	6SL3710-1GF32-2AA3-Z (+L01)
160 kW	260 A	6SL3710-1GF32-6AA3-Z (+L01)
200 kW	330 A	6SL3710-1GF33-3AA3-Z (+L01)



Degrees of protection:



Legend:

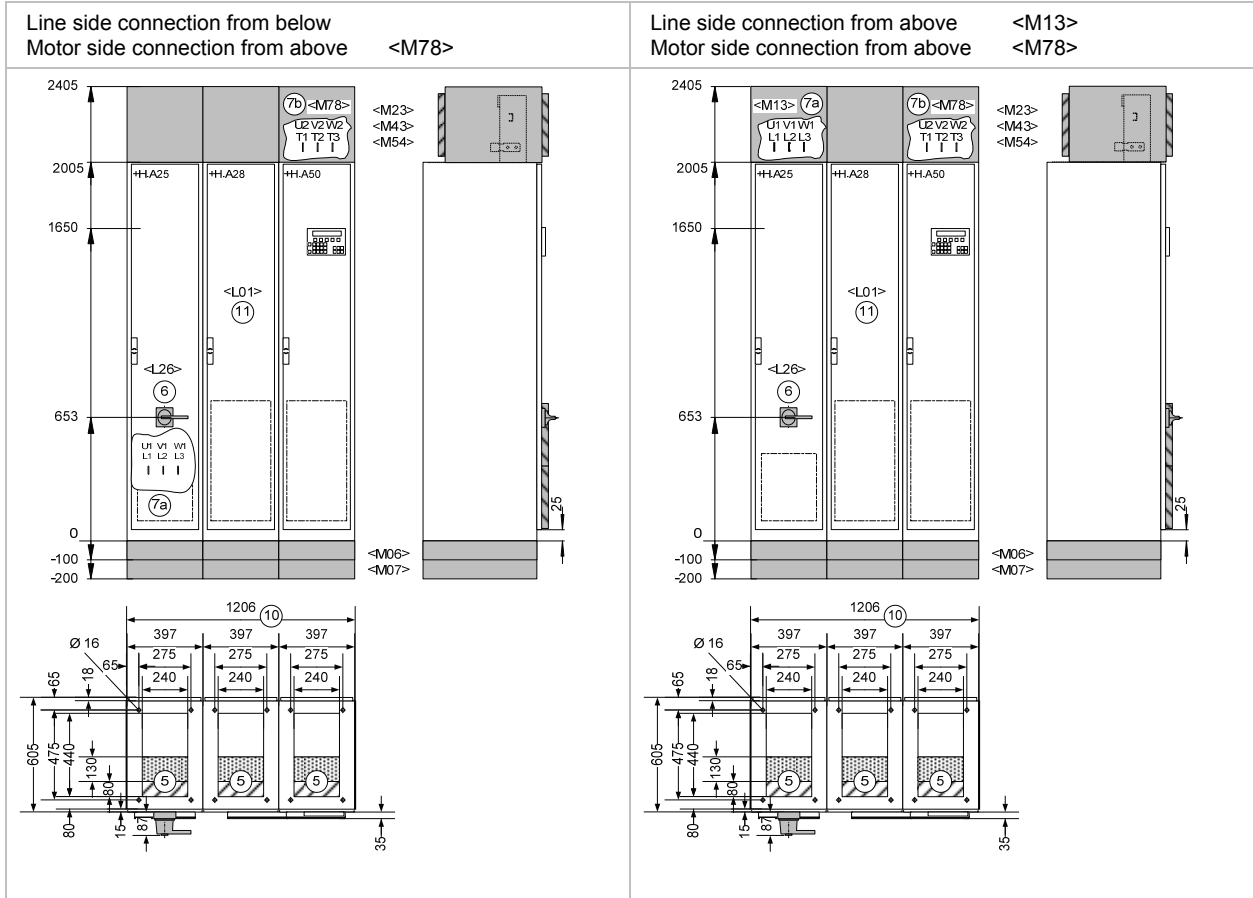
- | | |
|---|--|
| 1 Minimum ceiling height for wall mounting | 8 Degree of protection option |
| 2 Ventilation grid | 9 Degree of protection IP20 |
| 3 Air outlet area | IP21 Option <M21> |
| 4 Air inlet area | IP23 Option <M23> |
| 5 Cables can enter from below within hatched area | IP43 Option <M43> |
| 6 Main circuit breaker, can be secured by padlock | IP54 Option <M54> |
| 7 Power connection (7a: power supply, 7b: motor) | 10 Transport unit |
| | 11 Line harmonics filter compact, Option <L01> |

SINAMICS G150 Drive Converter Cabinet Units

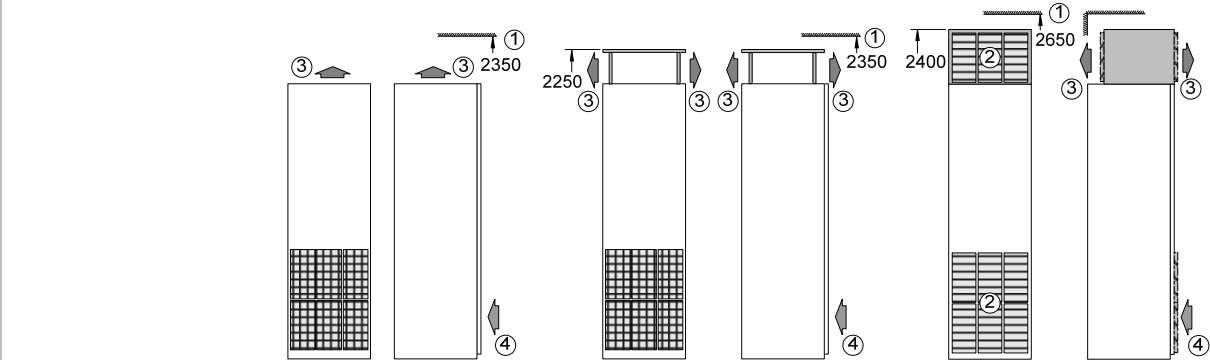
Clean Power

Line voltage 500 – 600 V
Single circuit

110 kW	175 A	6SL3710-1GF31-8AA3-Z (+L01)
132 kW	215 A	6SL3710-1GF32-2AA3-Z (+L01)
160 kW	260 A	6SL3710-1GF32-6AA3-Z (+L01)
200 kW	330 A	6SL3710-1GF33-3AA3-Z (+L01)



Degrees of protection:



Option

(please note options selection matrix in catalog)

Legend:

- 1 Minimum ceiling height for wall mounting
- 2 Ventilation grid
- 3 Air outlet area
- 4 Air inlet area
- 5 Cables can enter from below within hatched area
- 6 Main circuit breaker, can be secured by padlock
- 7 Power connection (7a: power supply, 7b: motor)
- 8 Degree of protection option
- 9 Degree of protection IP20
IP21 Option <M21>
IP23 Option <M23>
IP43 Option <M43>
IP54 Option <M54>
- 10 Transport unit
- 11 Line harmonics filter compact, Option <L01>

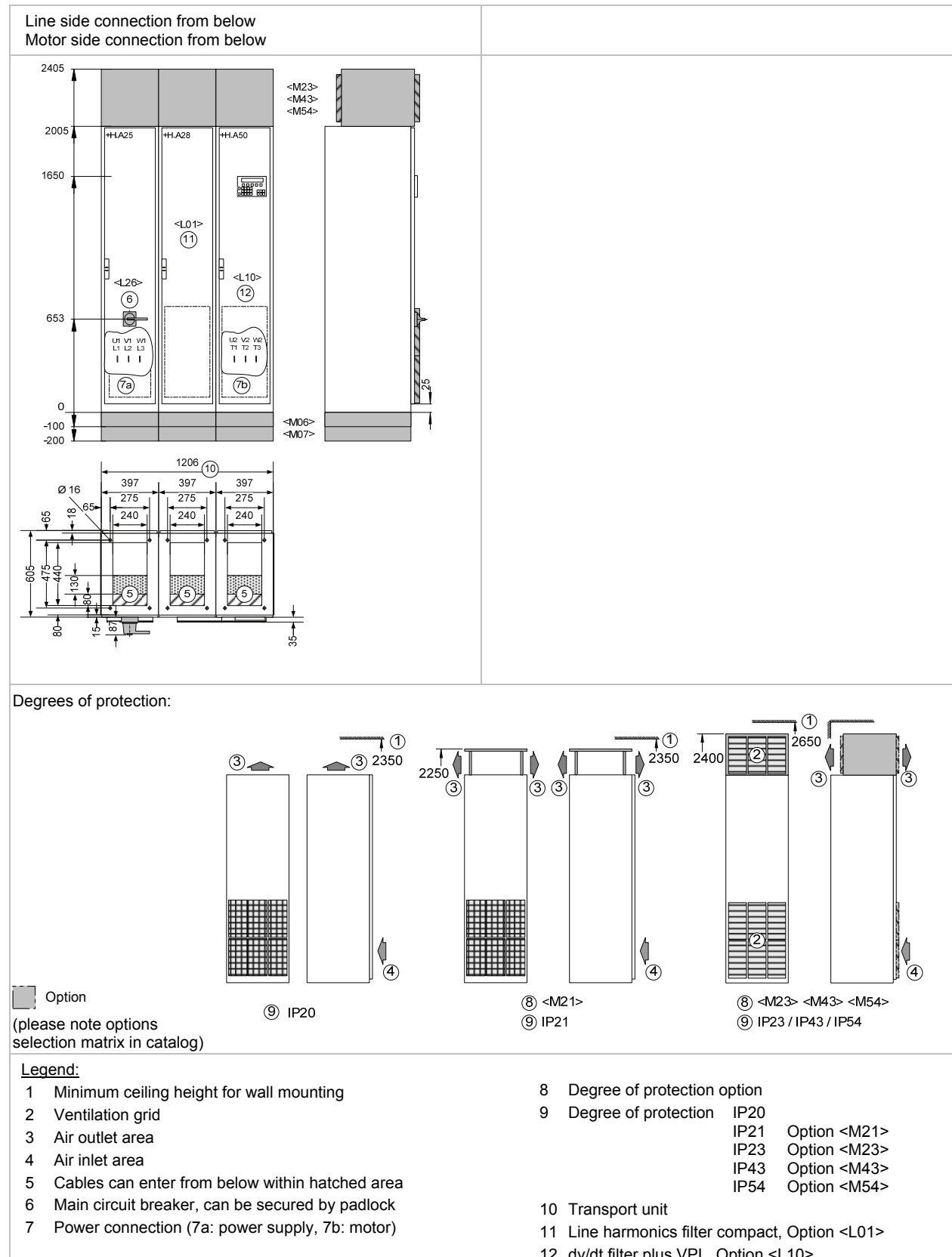
SINAMICS G150 Drive Converter Cabinet Units

Clean Power

Line voltage 500 – 600 V
Single circuit
with dv/dt filter plus VPL

110 kW 175 A
132 kW 215 A
160 kW 260 A
200 kW 330 A

6SL3710-1GF31-8AA3-Z (+L01+L10)
6SL3710-1GF32-2AA3-Z (+L01+L10)
6SL3710-1GF32-6AA3-Z (+L01+L10)
6SL3710-1GF33-3AA3-Z (+L01+L10)



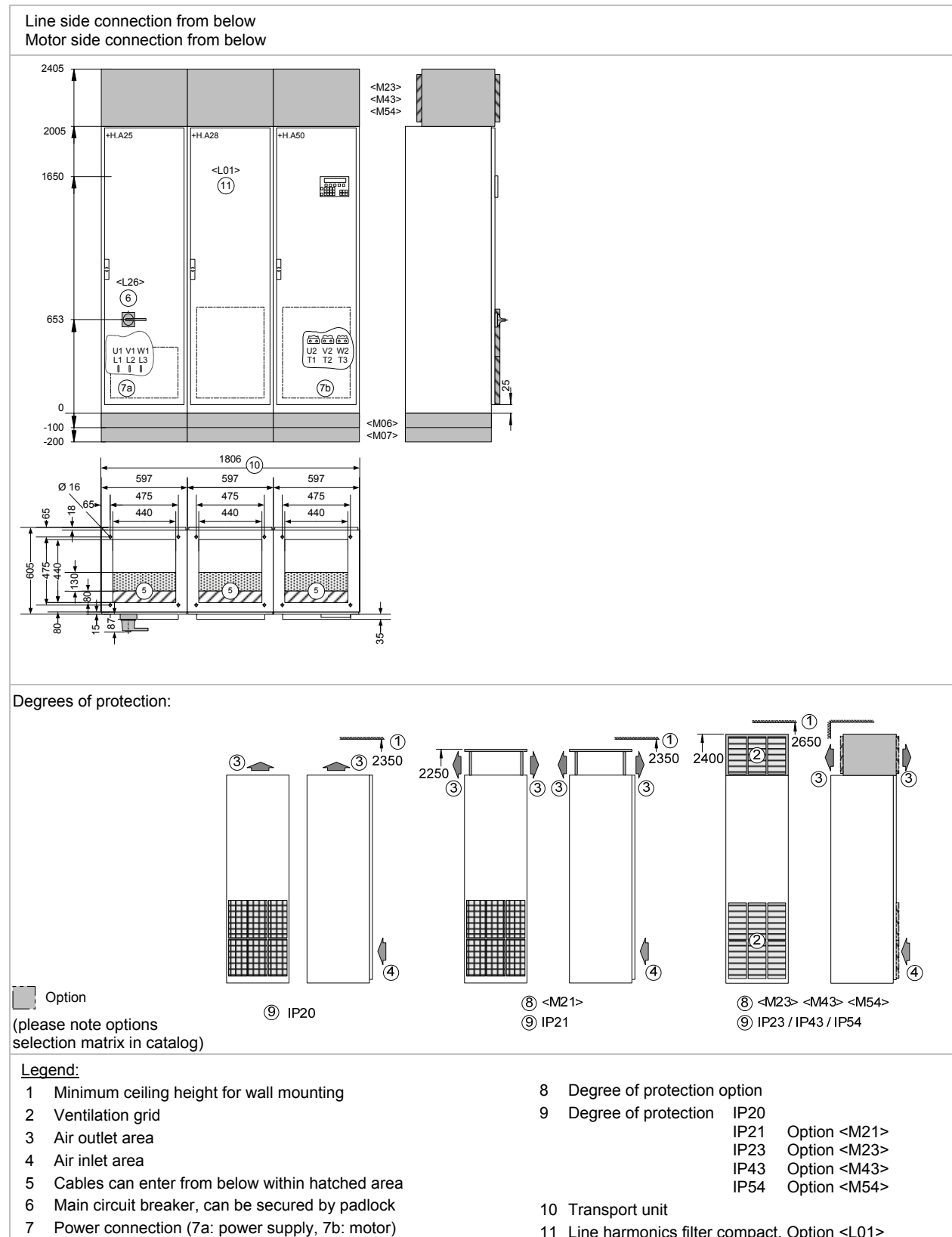
SINAMICS G150 Drive Converter Cabinet Units

Clean Power

Line voltage 500 - 600 V
Single circuit

250 kW 410 A
315 kW 465 A
400 kW 410 A

6SL3710-1GF34-1AA3-Z (+L01)
6SL3710-1GF34-7AA3-Z (+L01)
6SL3710-1GF35-8AA3-Z (+L01)



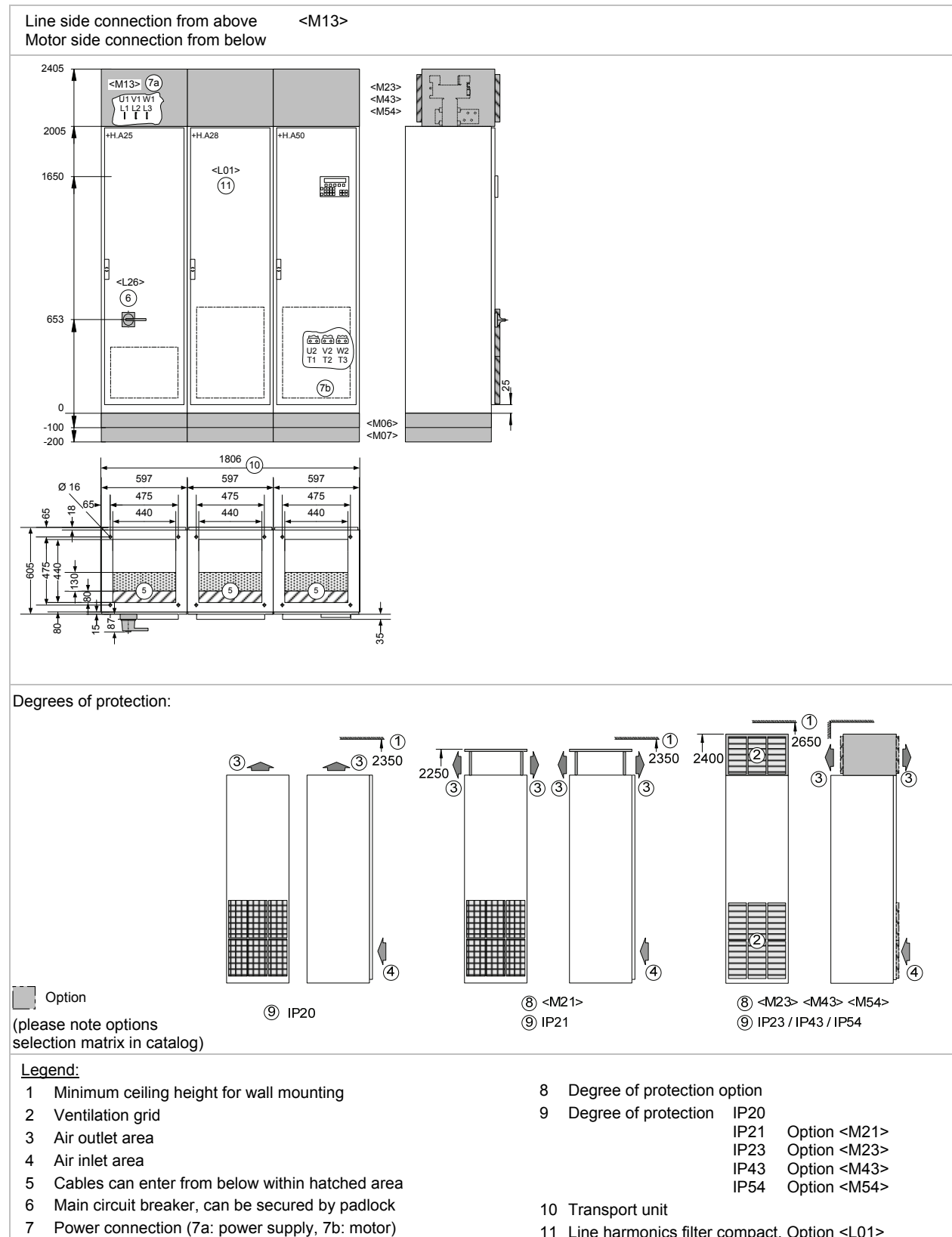
SINAMICS G150 Drive Converter Cabinet Units

Clean Power

Line voltage 500 - 600 V
Single circuit

250 kW 410 A
315 kW 465 A
400 kW 410 A

6SL3710-1GF34-1AA3-Z (+L01)
6SL3710-1GF34-7AA3-Z (+L01)
6SL3710-1GF35-8AA3-Z (+L01)



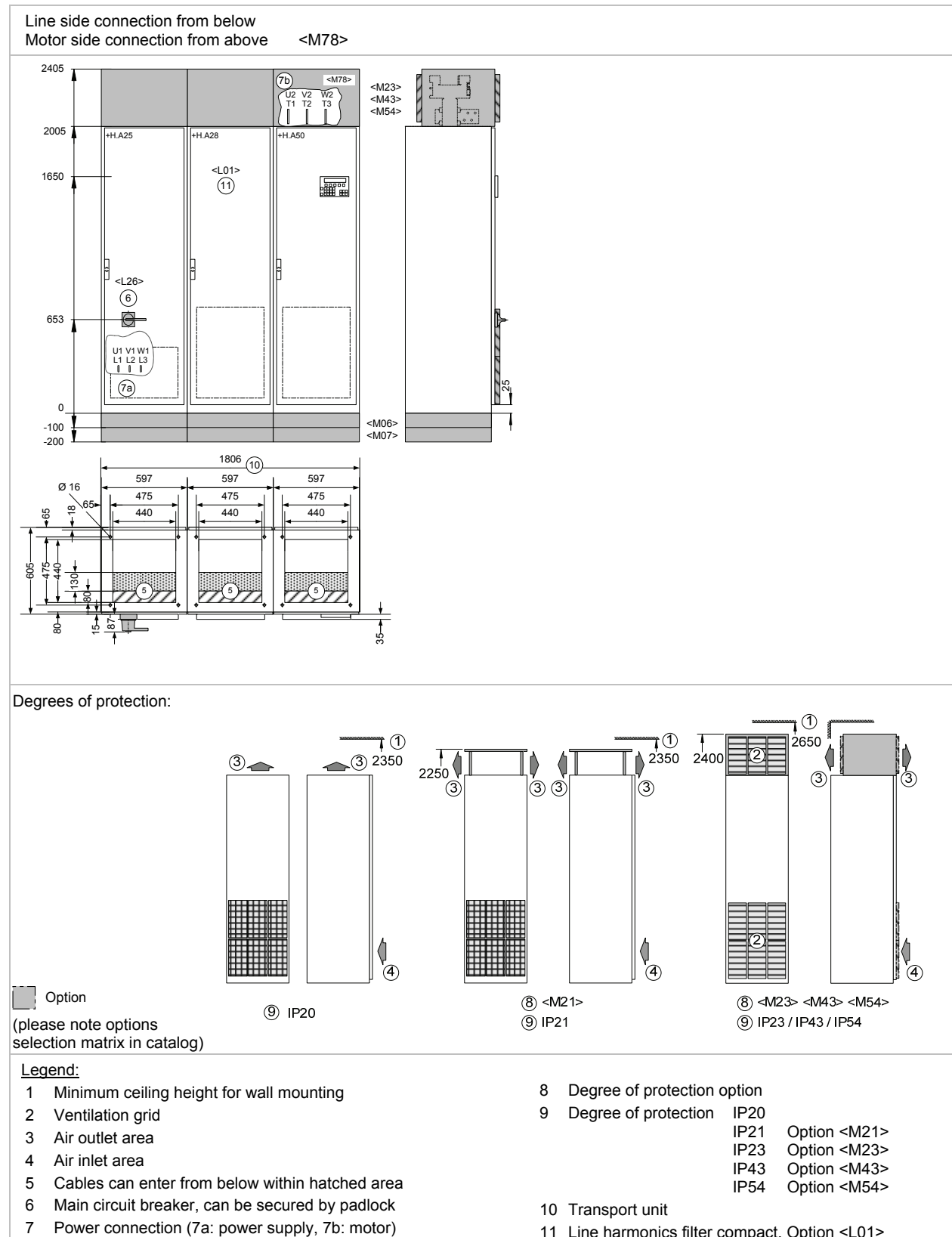
SINAMICS G150 Drive Converter Cabinet Units

Clean Power

Line voltage 500 - 600 V
Single circuit

250 kW 410 A
315 kW 465 A
400 kW 410 A

6SL3710-1GF34-1AA3-Z (+L01)
6SL3710-1GF34-7AA3-Z (+L01)
6SL3710-1GF35-8AA3-Z (+L01)



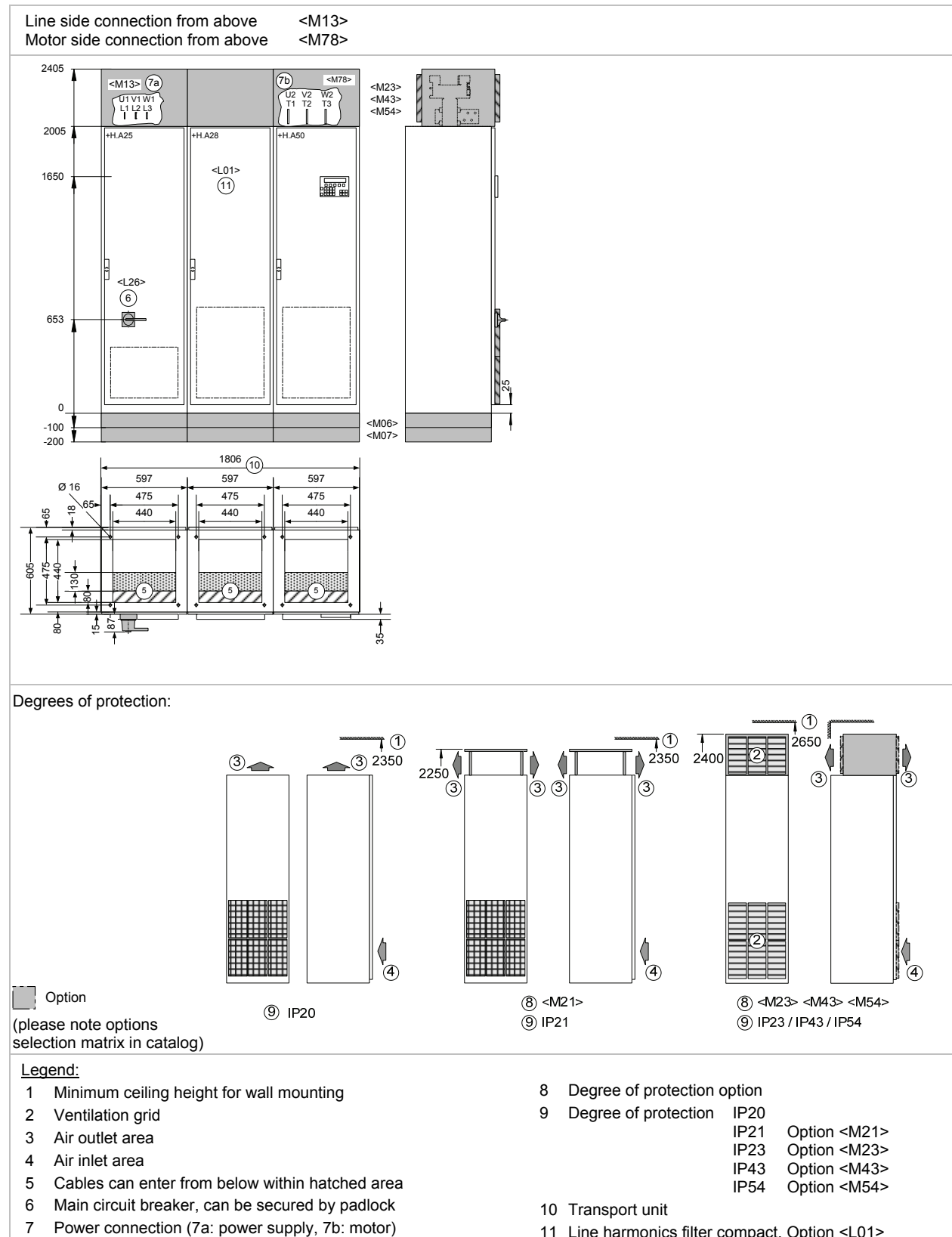
SINAMICS G150 Drive Converter Cabinet Units

Clean Power

Line voltage 500 - 600 V
Single circuit

250 kW 410 A
315 kW 465 A
400 kW 410 A

6SL3710-1GF34-1AA3-Z (+L01)
6SL3710-1GF34-7AA3-Z (+L01)
6SL3710-1GF35-8AA3-Z (+L01)



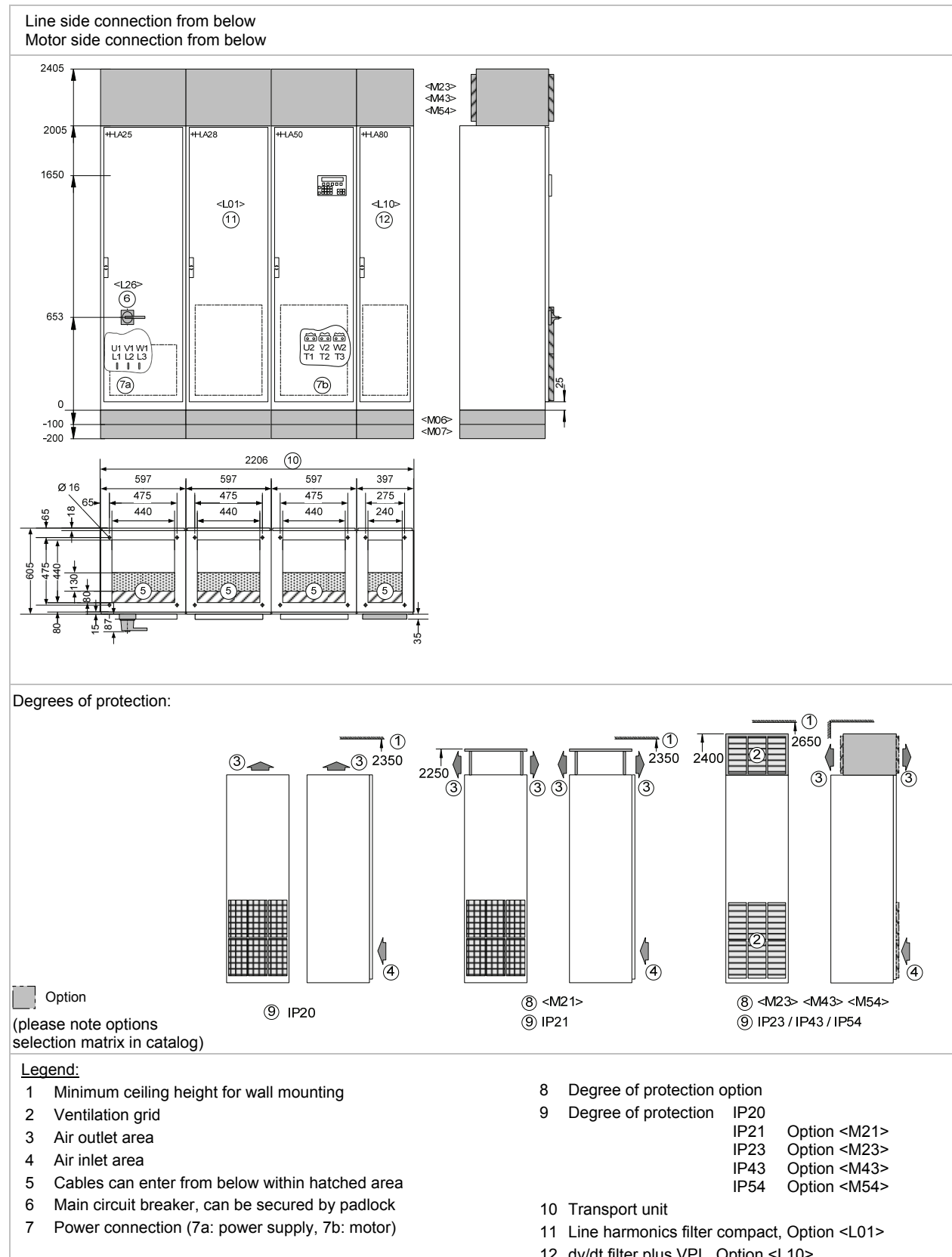
SINAMICS G150 Drive Converter Cabinet Units

Clean Power

Line voltage 500 - 600 V
Single circuit
with dv/dt filter plus VPL

250 kW 410 A
315 kW 465 A
400 kW 410 A

6SL3710-1GF34-1AA3-Z (+L01+L10)
6SL3710-1GF34-7AA3-Z (+L01+L10)
6SL3710-1GF35-8AA3-Z (+L01+L10)



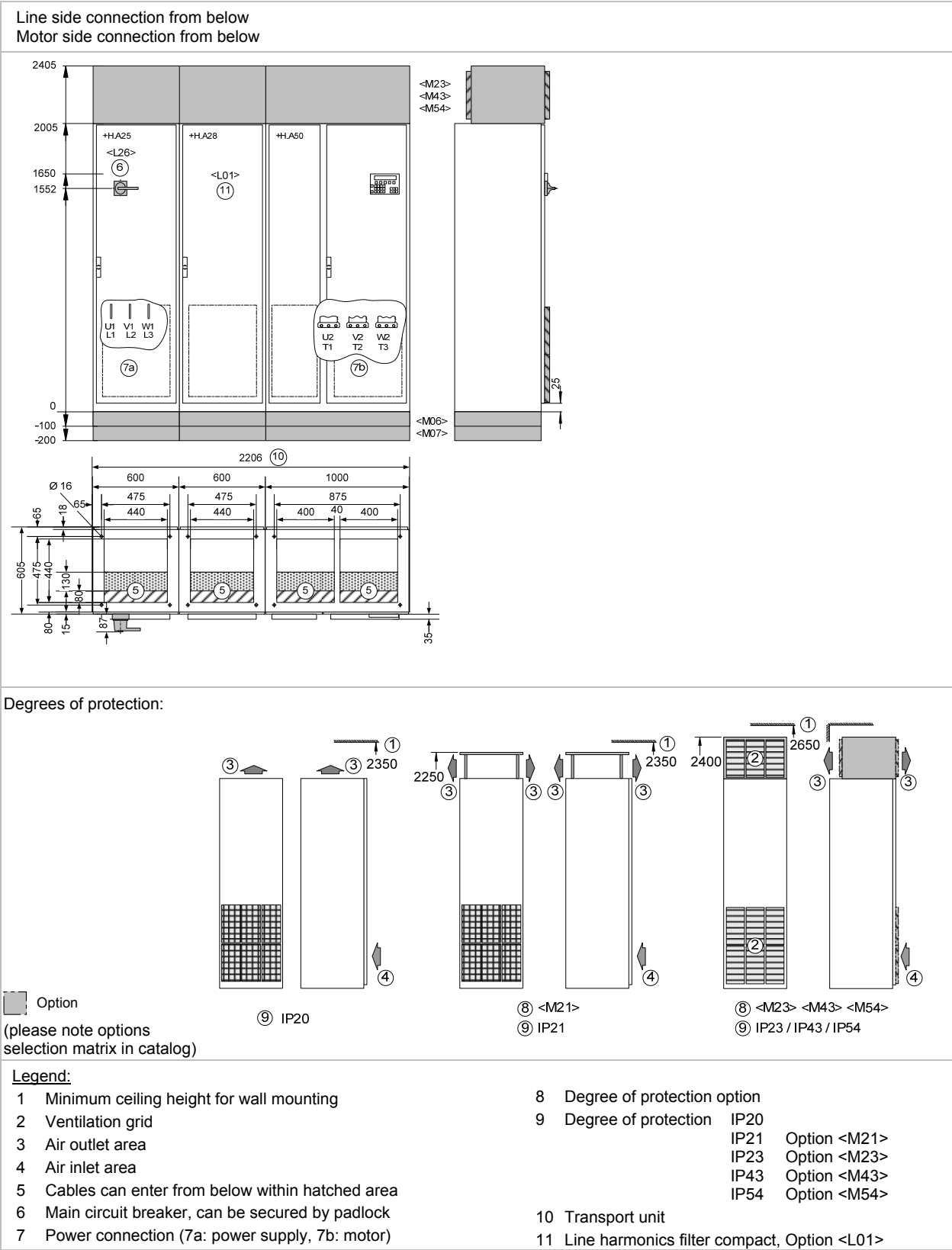
SINAMICS G150 Drive Converter Cabinet Units

Clean Power

Line voltage 500 - 600 V
Single circuit

500 kW 735 A

6SL3710-1GF37-4AA3-Z (+L01)



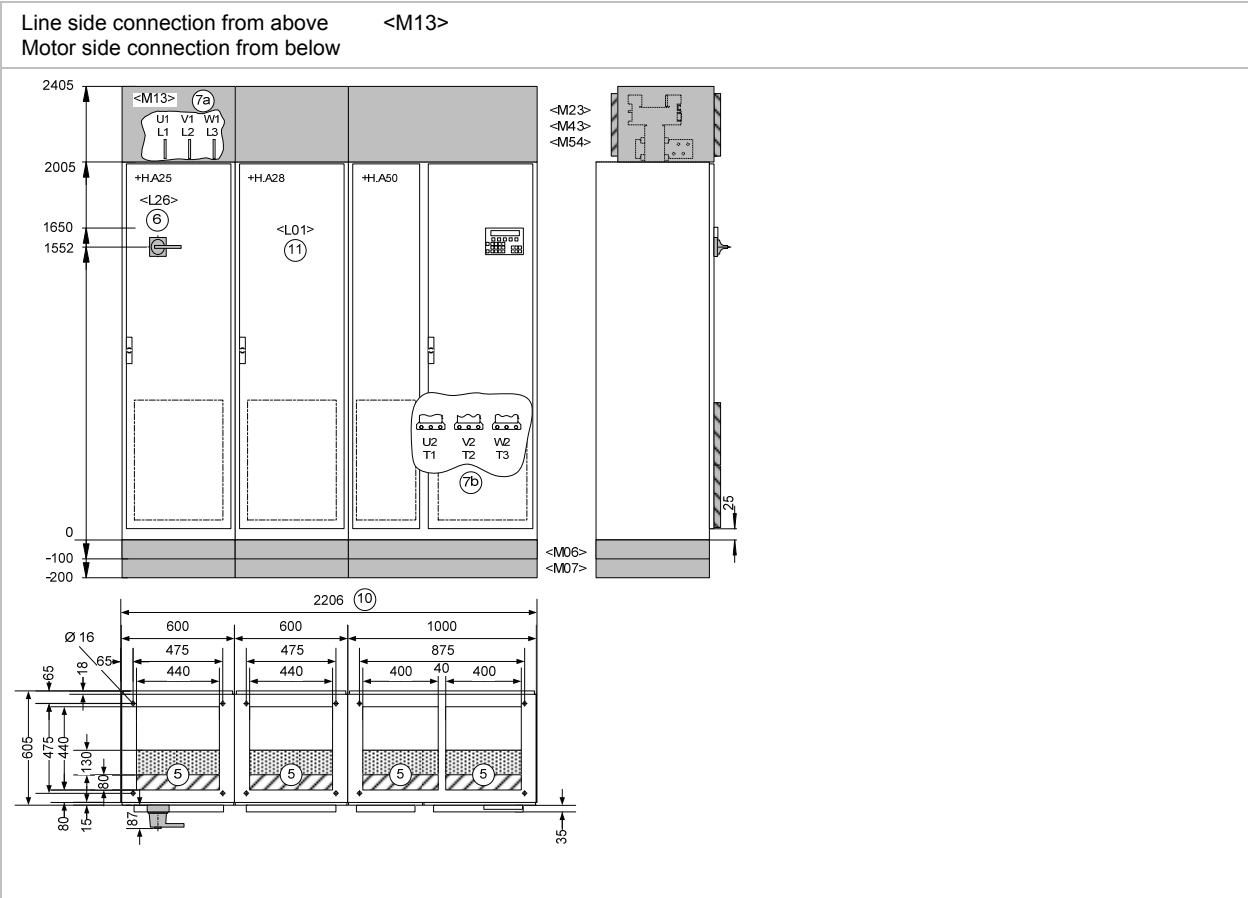
SINAMICS G150 Drive Converter Cabinet Units

Clean Power

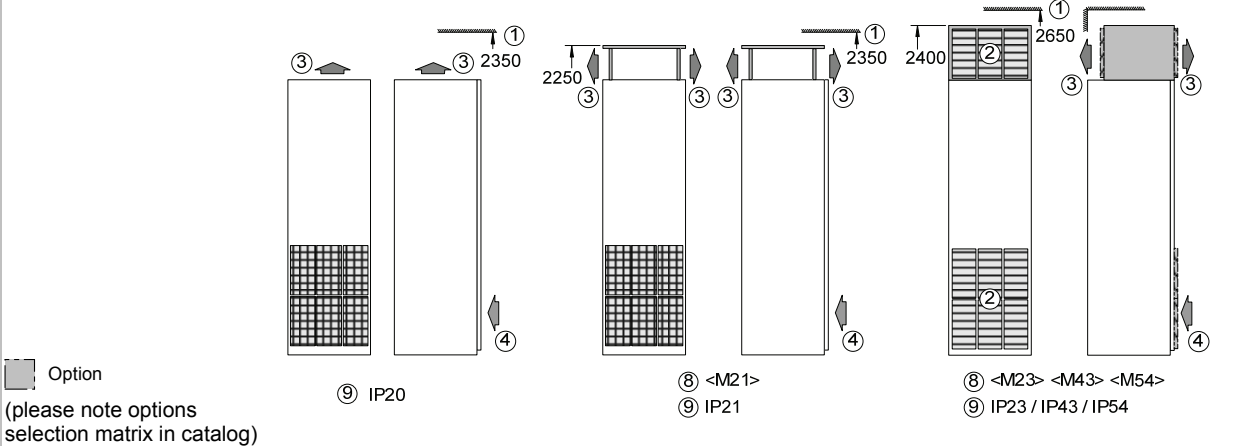
Line voltage 500 - 600 V
Single circuit

500 kW 735 A

6SL3710-1GF37-4AA3-Z (+L01)



Degrees of protection:



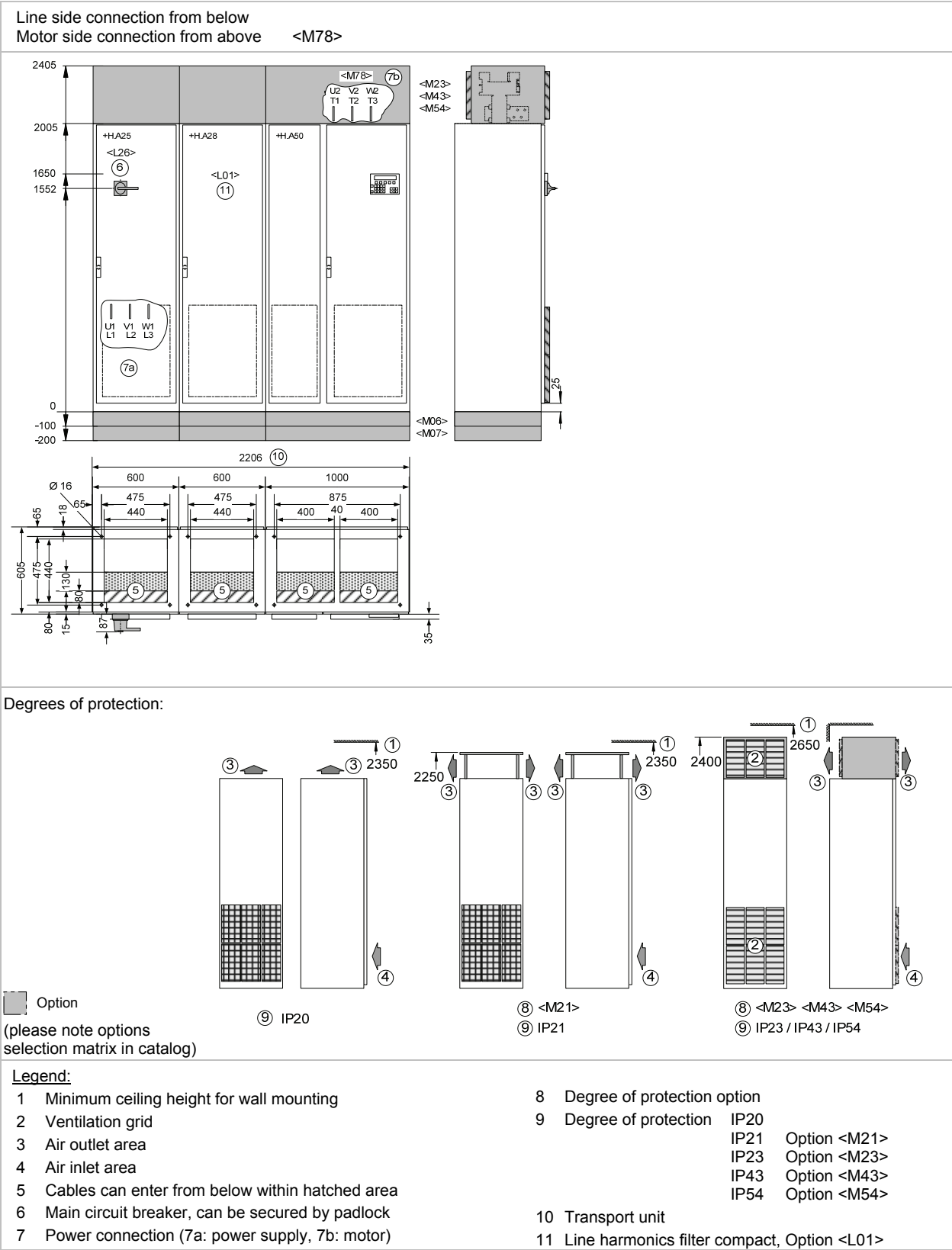
SINAMICS G150 Drive Converter Cabinet Units

Clean Power

Line voltage 500 - 600 V
Single circuit

500 kW 735 A

6SL3710-1GF37-4AA3-Z (+L01)



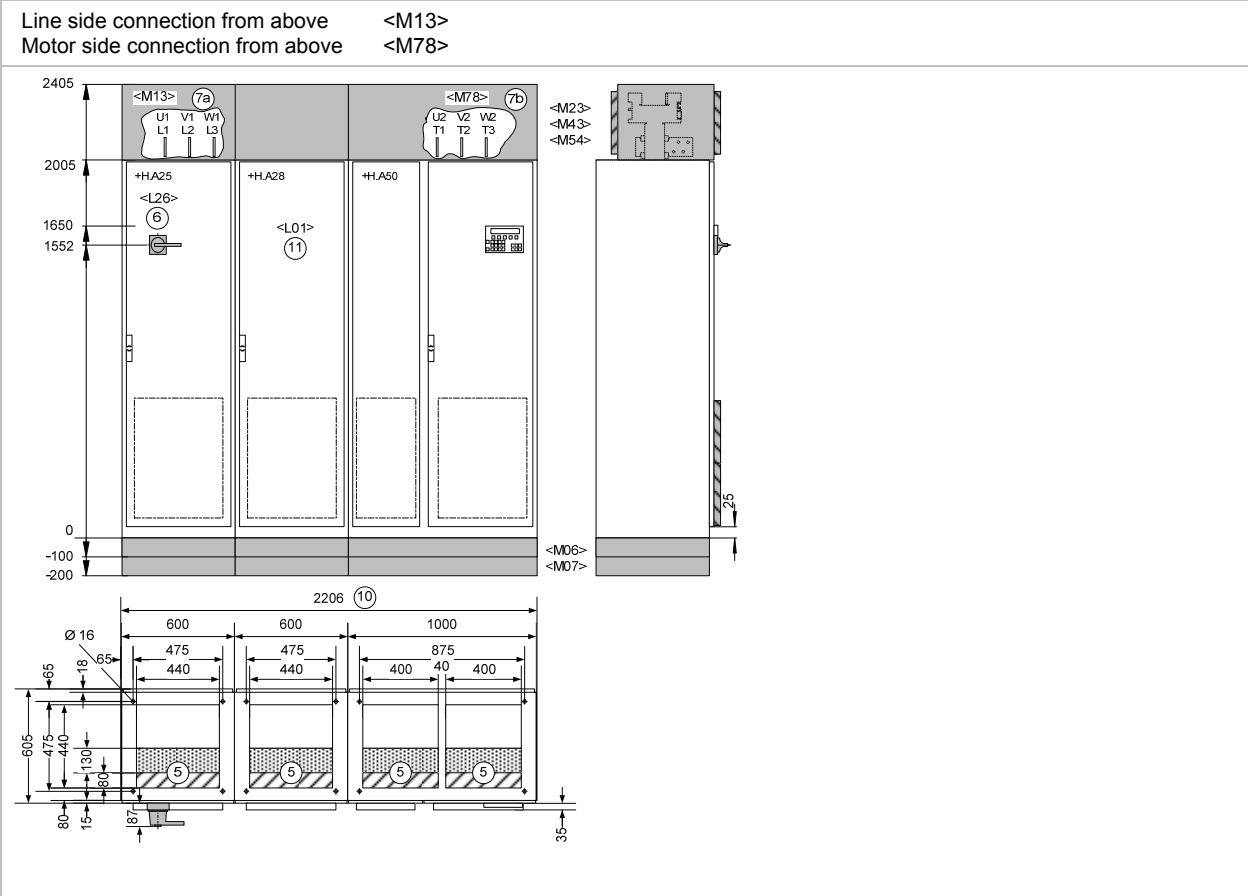
SINAMICS G150 Drive Converter Cabinet Units

Clean Power

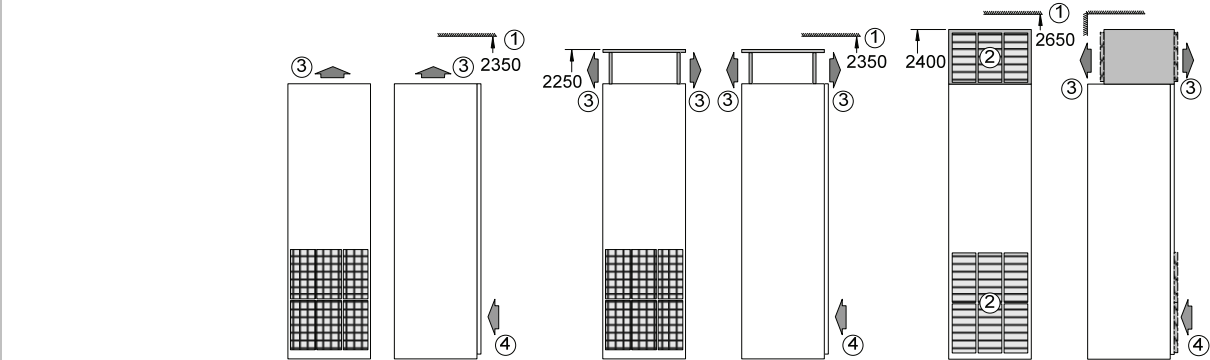
Line voltage 500 - 600 V
Single circuit

500 kW 735 A

6SL3710-1GF37-4AA3-Z (+L01)



Degrees of protection:



Option
(please note options selection matrix in catalog)

Legend:

- 1 Minimum ceiling height for wall mounting
- 2 Ventilation grid
- 3 Air outlet area
- 4 Air inlet area
- 5 Cables can enter from below within hatched area
- 6 Main circuit breaker, can be secured by padlock
- 7 Power connection (7a: power supply, 7b: motor)
- 8 Degree of protection option
- 9 Degree of protection IP20
IP21 Option <M21>
IP23 Option <M23>
IP43 Option <M43>
IP54 Option <M54>
- 10 Transport unit
- 11 Line harmonics filter compact, Option <L01>

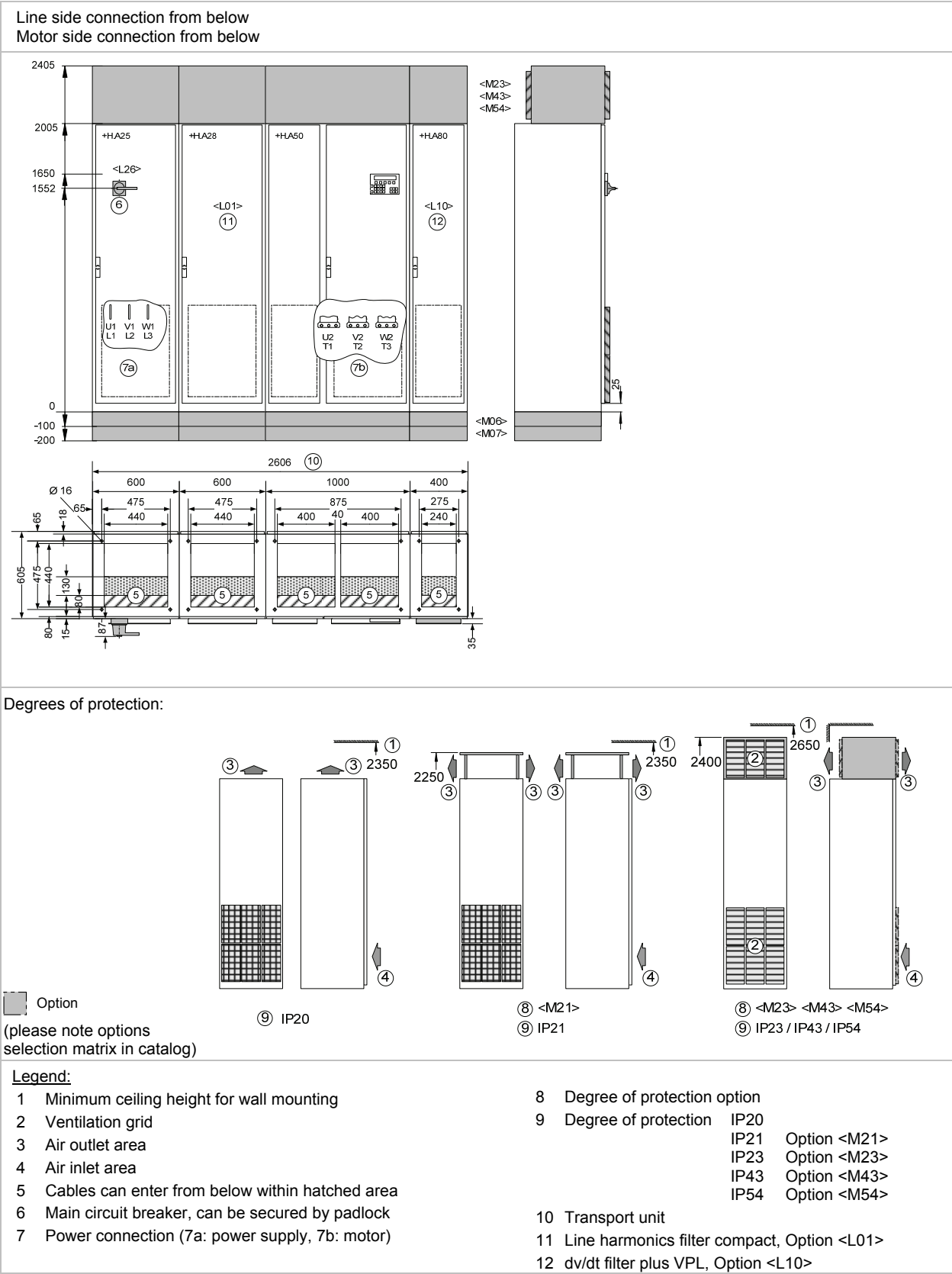
SINAMICS G150 Drive Converter Cabinet Units

Clean Power

Line voltage 500 - 600 V
Single circuit
with dv/dt filter plus VPL

500 kW 735 A

6SL3710-1GF37-4AA3-Z (+L01+L10)



SINAMICS G150 Drive Converter Cabinet Units

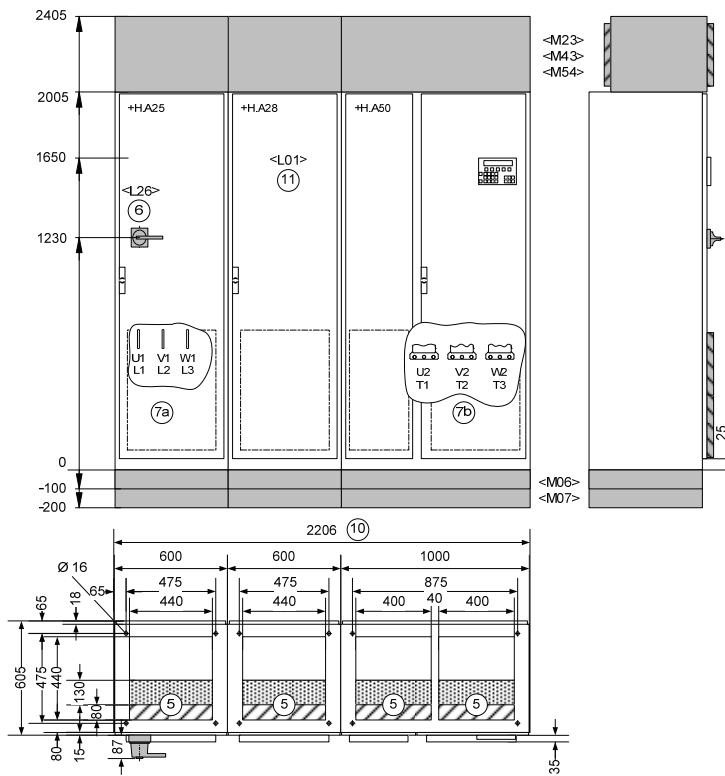
Clean Power

Line voltage 500 - 600 V
Single circuit

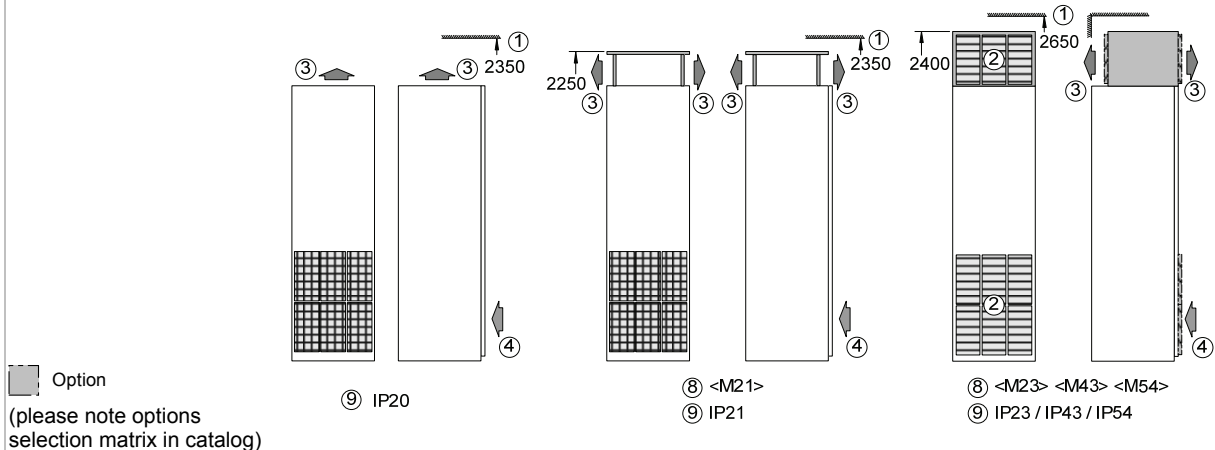
560 kW 810 A

6SL3710-1GF38-1AA3-Z (+L01)

Line side connection from below
Motor side connection from below



Degrees of protection:



Legend:

- 1 Minimum ceiling height for wall mounting
- 2 Ventilation grid
- 3 Air outlet area
- 4 Air inlet area
- 5 Cables can enter from below within hatched area
- 6 Main circuit breaker, can be secured by padlock
- 7 Power connection (7a: power supply, 7b: motor)
- 8 Degree of protection option
- 9 Degree of protection IP20
IP21 Option <M21>
IP23 Option <M23>
IP43 Option <M43>
IP54 Option <M54>
- 10 Transport unit
- 11 Line harmonics filter compact, Option <L01>

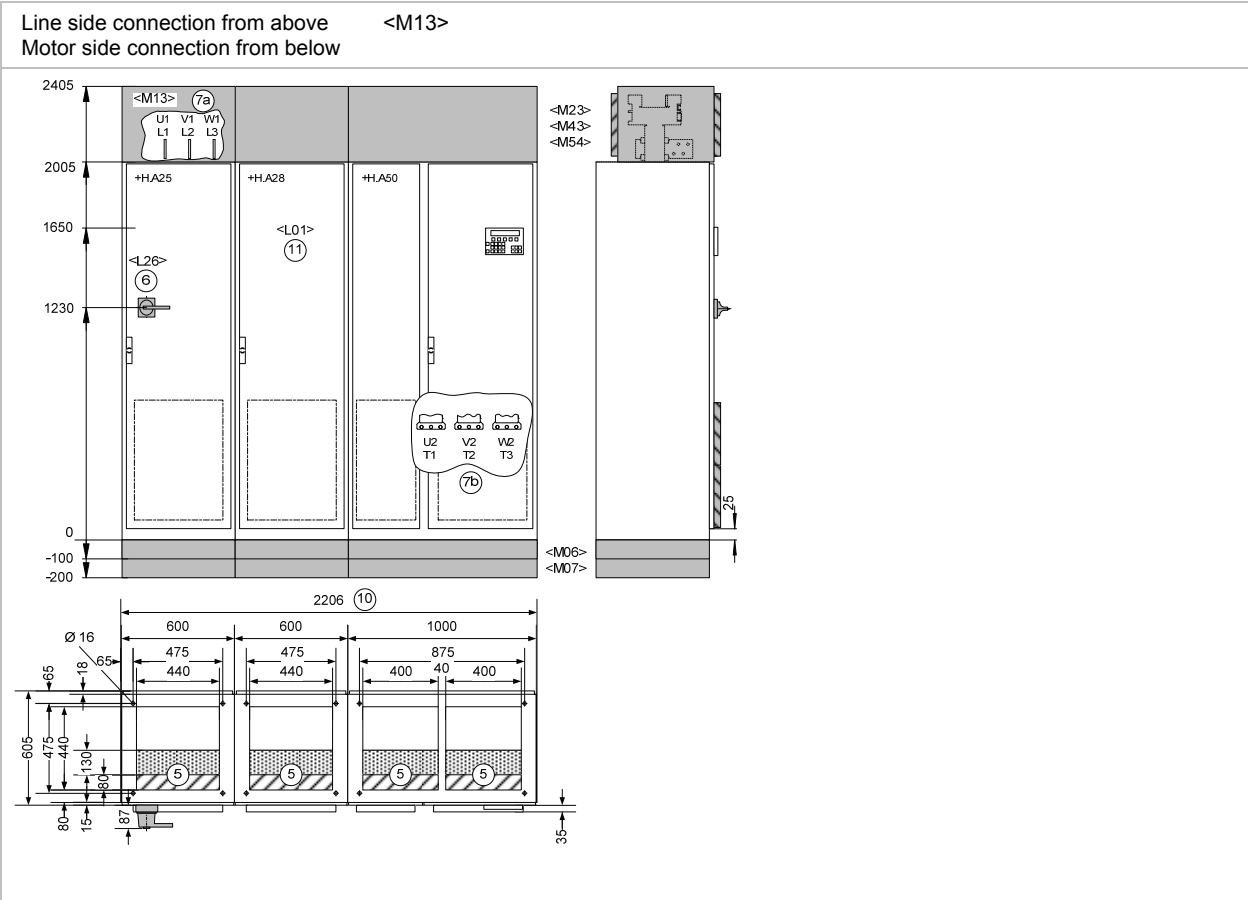
SINAMICS G150 Drive Converter Cabinet Units

Clean Power

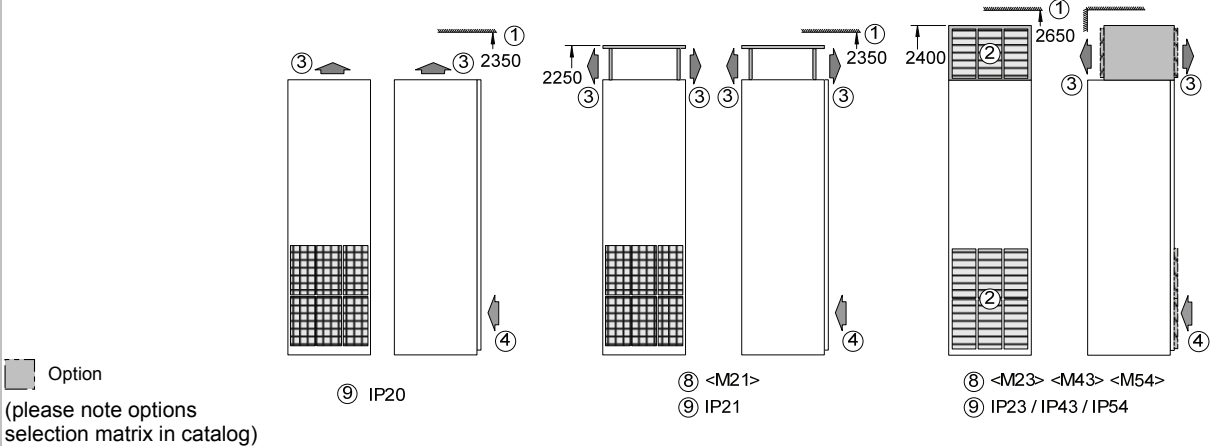
Line voltage 500 - 600 V
Single circuit

560 kW 810 A

6SL3710-1GF38-1AA3-Z (+L01)



Degrees of protection:



Legend:

- 1 Minimum ceiling height for wall mounting
- 2 Ventilation grid
- 3 Air outlet area
- 4 Air inlet area
- 5 Cables can enter from below within hatched area
- 6 Main circuit breaker, can be secured by padlock
- 7 Power connection (7a: power supply, 7b: motor)
- 8 Degree of protection option
- 9 Degree of protection IP20
IP21 Option <M21>
IP23 Option <M23>
IP43 Option <M43>
IP54 Option <M54>
- 10 Transport unit
- 11 Line harmonics filter compact, Option <L01>

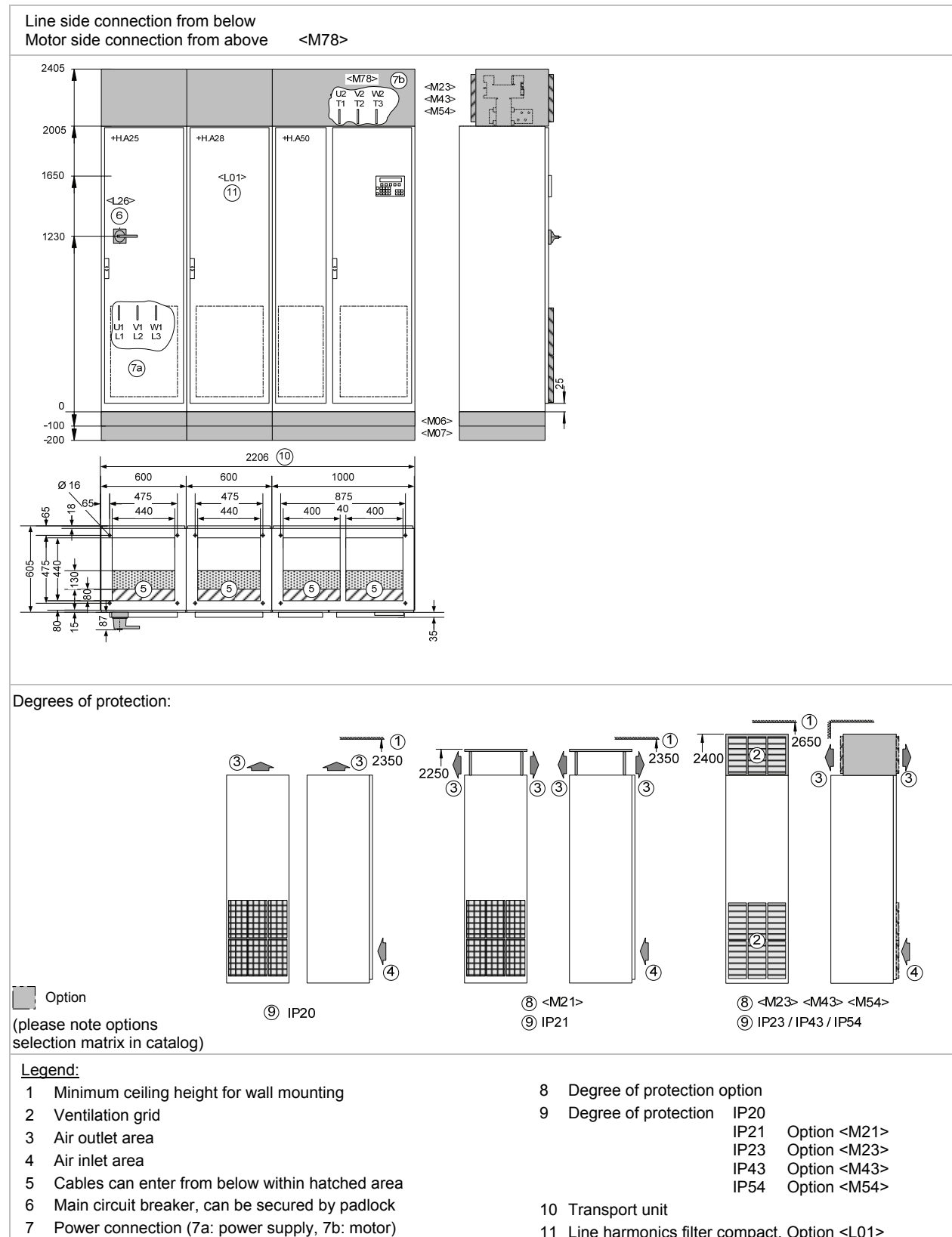
SINAMICS G150 Drive Converter Cabinet Units

Clean Power

Line voltage 500 - 600 V
Single circuit

560 kW 810 A

6SL3710-1GF38-1AA3-Z (+L01)



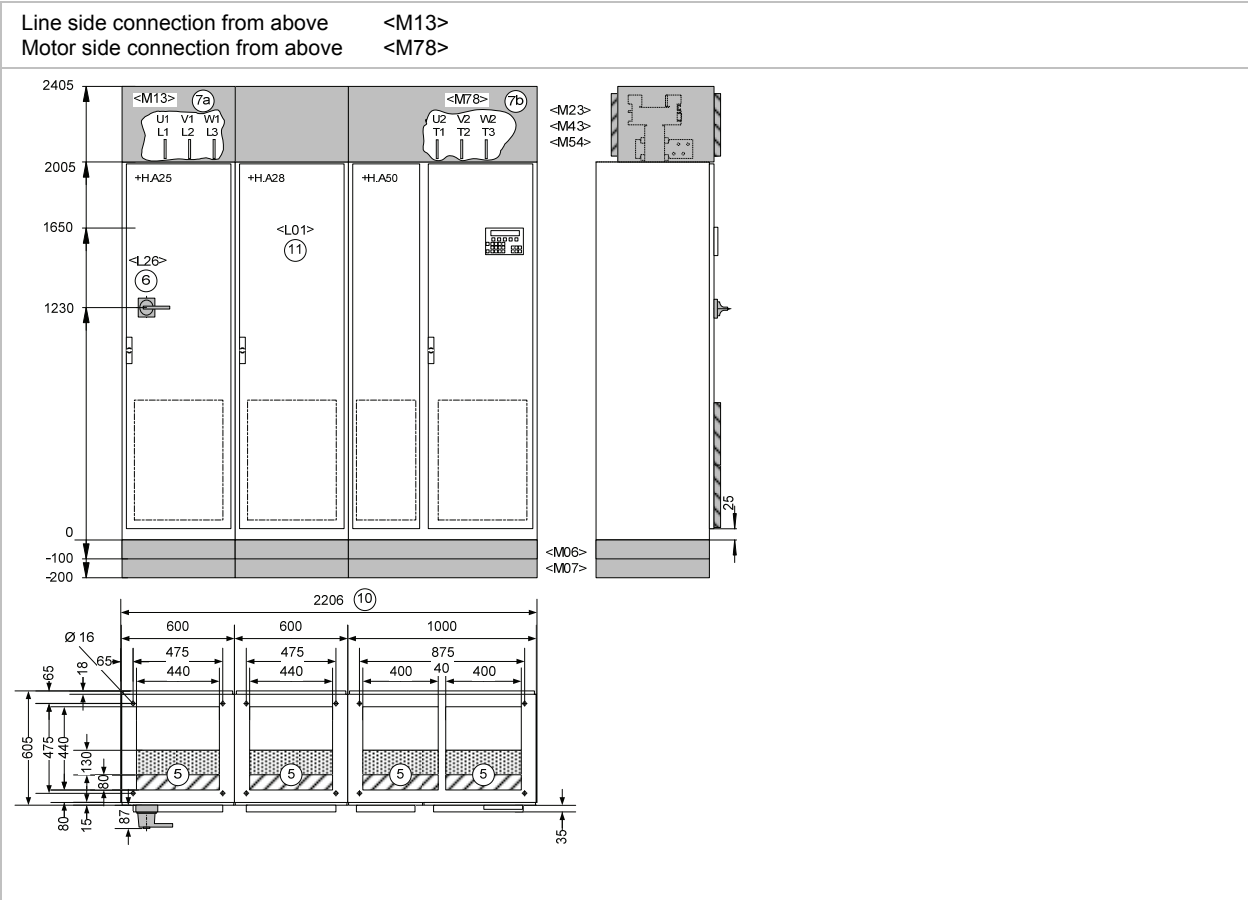
SINAMICS G150 Drive Converter Cabinet Units

Clean Power

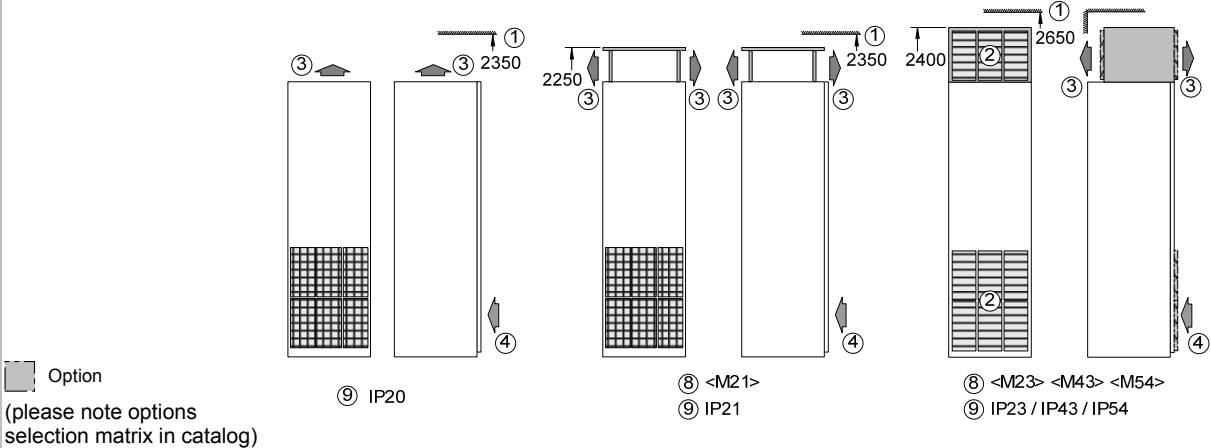
Line voltage 500 - 600 V
Single circuit

560 kW 810 A

6SL3710-1GF38-1AA3-Z (+L01)



Degrees of protection:



Legend:

- 1 Minimum ceiling height for wall mounting
- 2 Ventilation grid
- 3 Air outlet area
- 4 Air inlet area
- 5 Cables can enter from below within hatched area
- 6 Main circuit breaker, can be secured by padlock
- 7 Power connection (7a: power supply, 7b: motor)
- 8 Degree of protection option
- 9 Degree of protection IP20
IP21 Option <M21>
IP23 Option <M23>
IP43 Option <M43>
IP54 Option <M54>
- 10 Transport unit
- 11 Line harmonics filter compact, Option <L01>

SINAMICS G150 Drive Converter Cabinet Units

Clean Power

Line voltage 500 - 600 V

560 kW

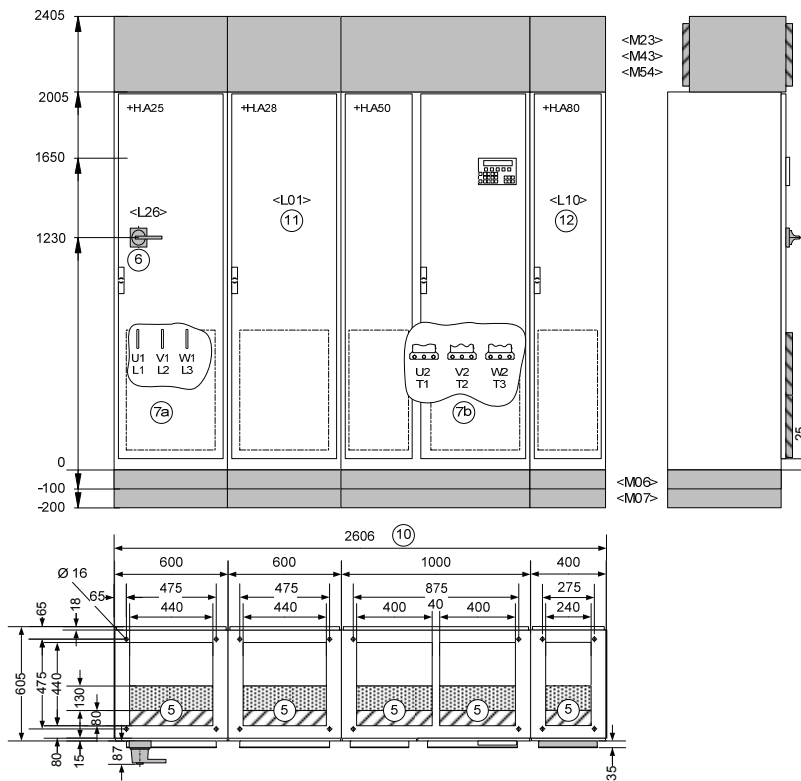
810 A

6SL3710-1GF38-1AA3-Z (+L01+L10)

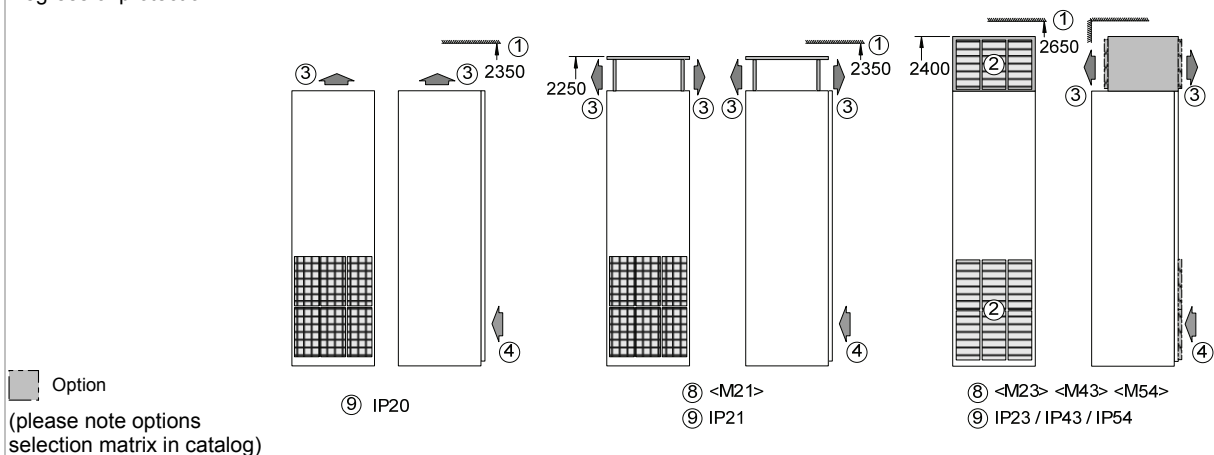
Single circuit

with dv/dt filter plus VPL

Line side connection from below
Motor side connection from below



Degrees of protection:



Legend:

- 1 Minimum ceiling height for wall mounting
- 2 Ventilation grid
- 3 Air outlet area
- 4 Air inlet area
- 5 Cables can enter from below within hatched area
- 6 Main circuit breaker, can be secured by padlock
- 7 Power connection (7a: power supply, 7b: motor)

- 8 Degree of protection option
- 9 Degree of protection IP20
IP21 Option <M21>
IP23 Option <M23>
IP43 Option <M43>
IP54 Option <M54>
- 10 Transport unit
- 11 Line harmonics filter compact, Option <L01>
- 12 dv/dt filter plus VPL, Option <L10>

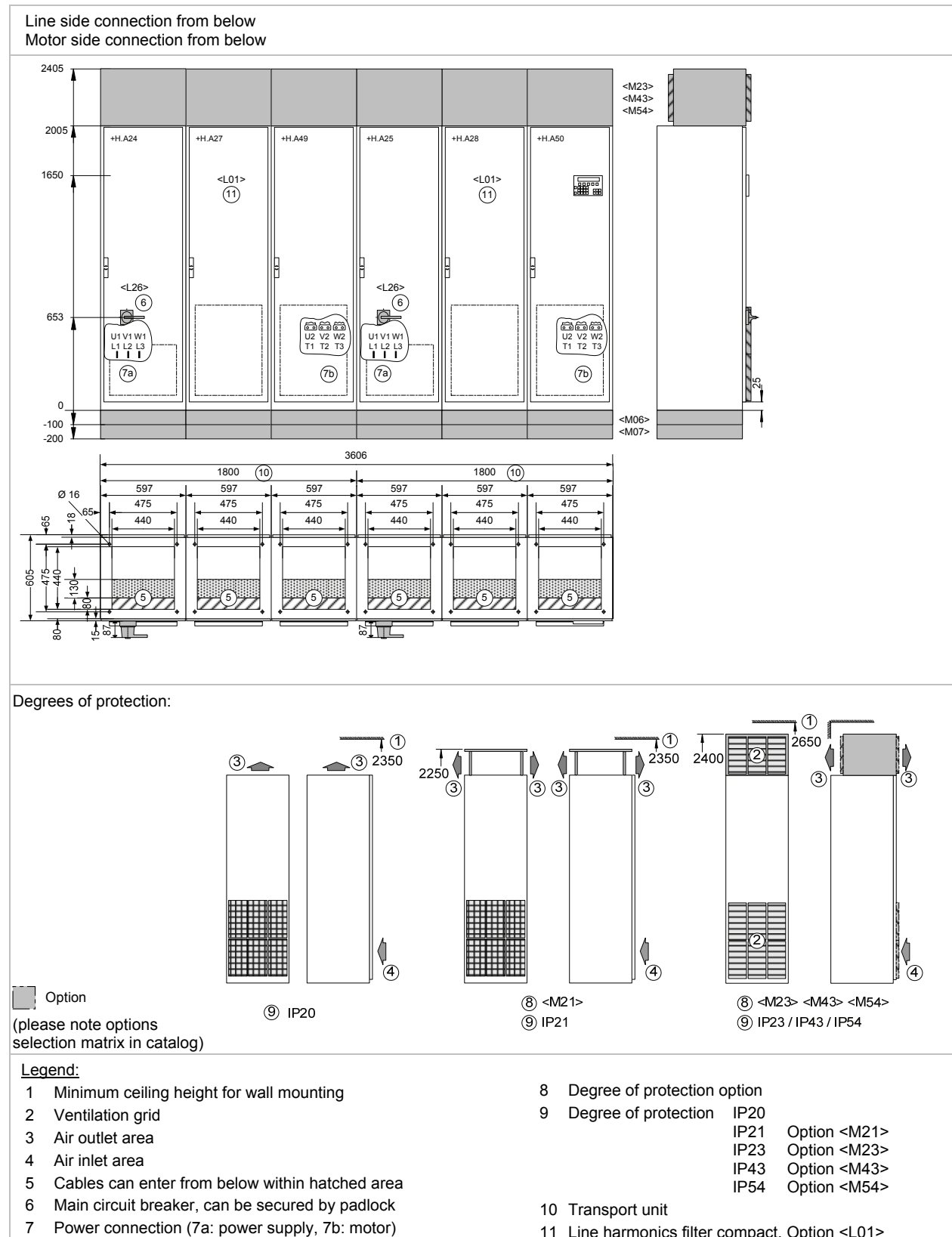
SINAMICS G150 Drive Converter Cabinet Units

Clean Power

Line voltage 500 - 600 V
Parallel circuit

630 kW 860 A
710 kW 1070 A

6SL3710-2GF38-6AA3-Z (+L01)
6SL3710-2GF41-1AA3-Z (+L01)



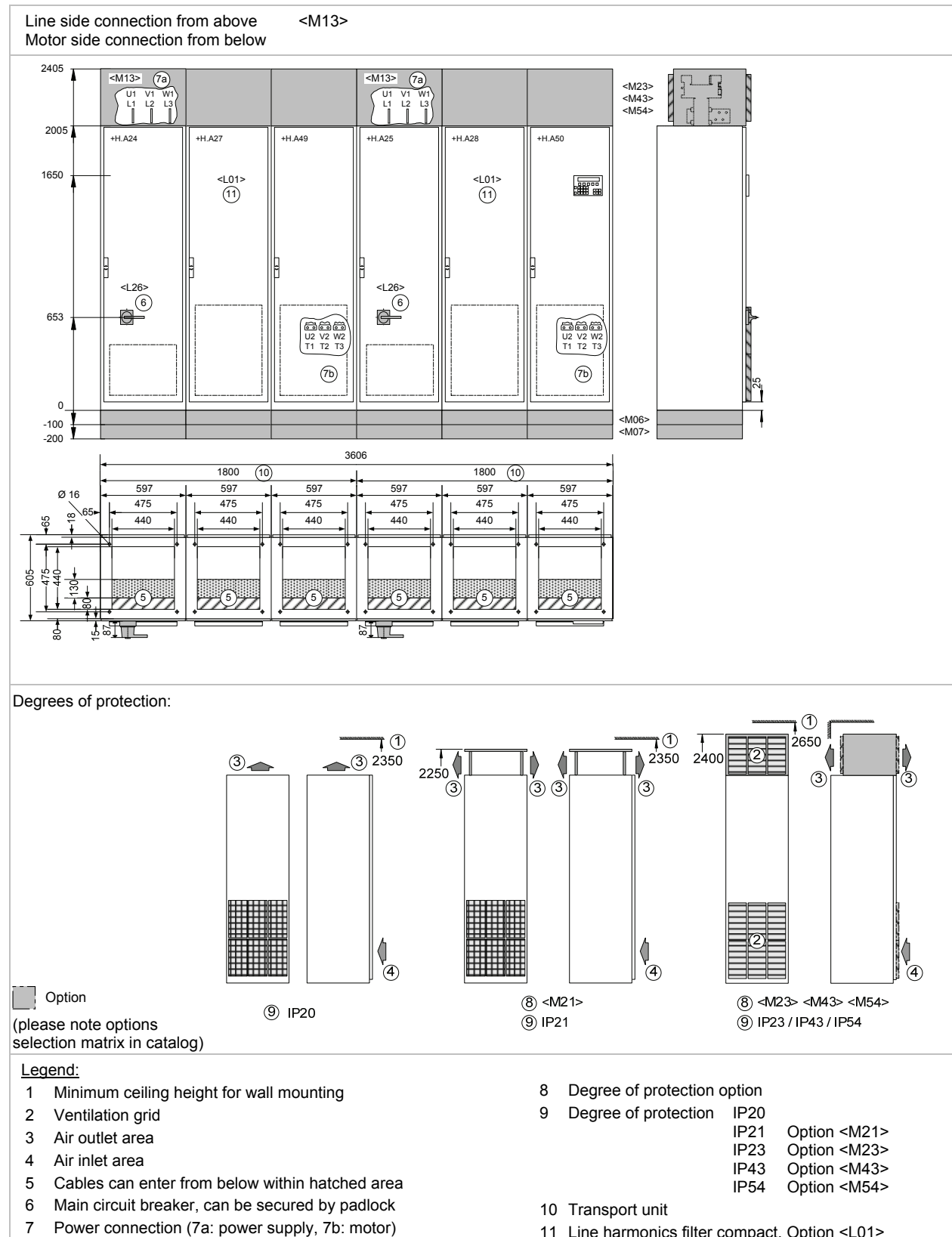
SINAMICS G150 Drive Converter Cabinet Units

Clean Power

Line voltage 500 - 600 V
Parallel circuit

630 kW 860 A
710 kW 1070 A

6SL3710-2GF38-6AA3-Z (+L01)
6SL3710-2GF41-1AA3-Z (+L01)



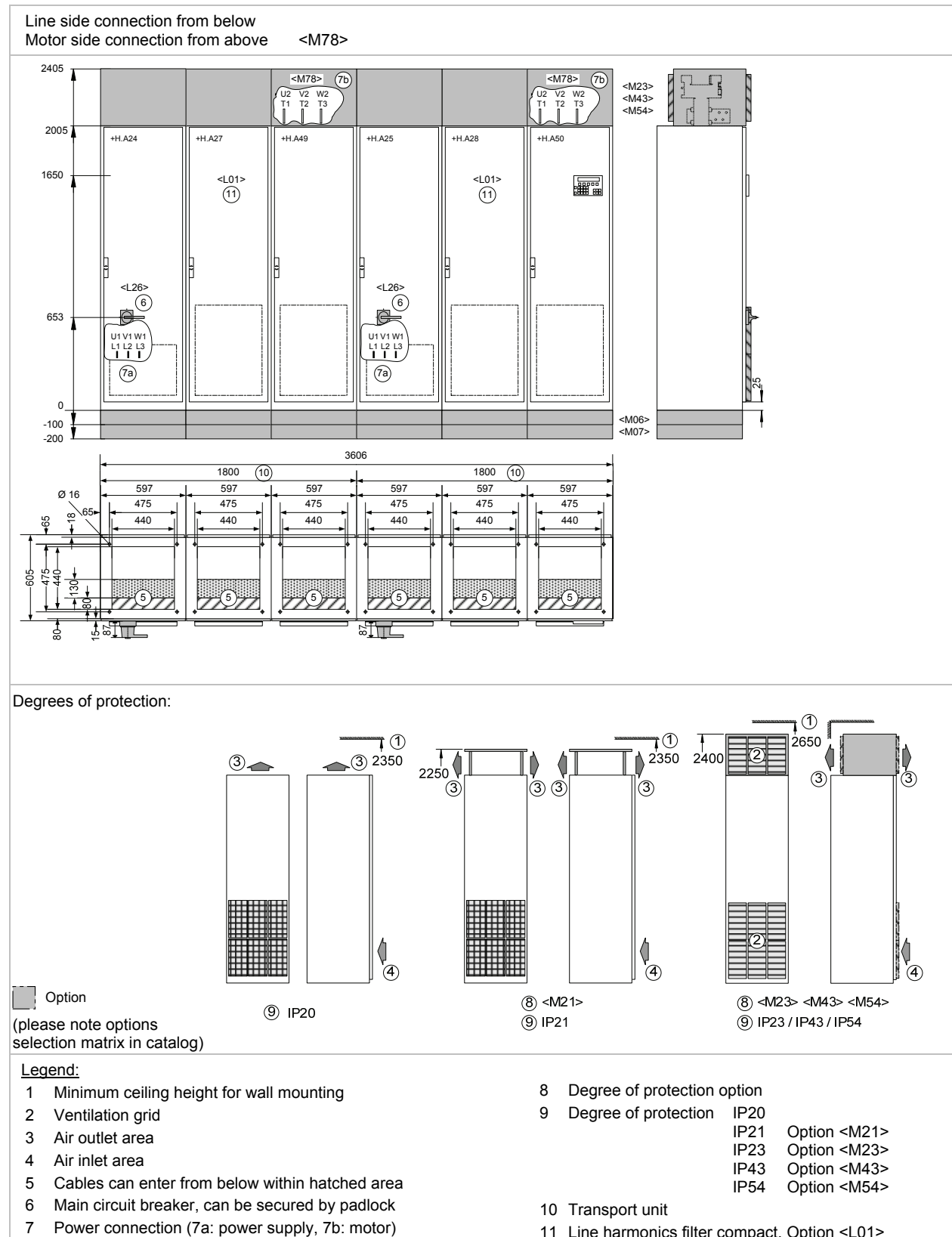
SINAMICS G150 Drive Converter Cabinet Units

Clean Power

Line voltage 500 - 600 V
Parallel circuit

630 kW 860 A
710 kW 1070 A

6SL3710-2GF38-6AA3-Z (+L01)
6SL3710-2GF41-1AA3-Z (+L01)



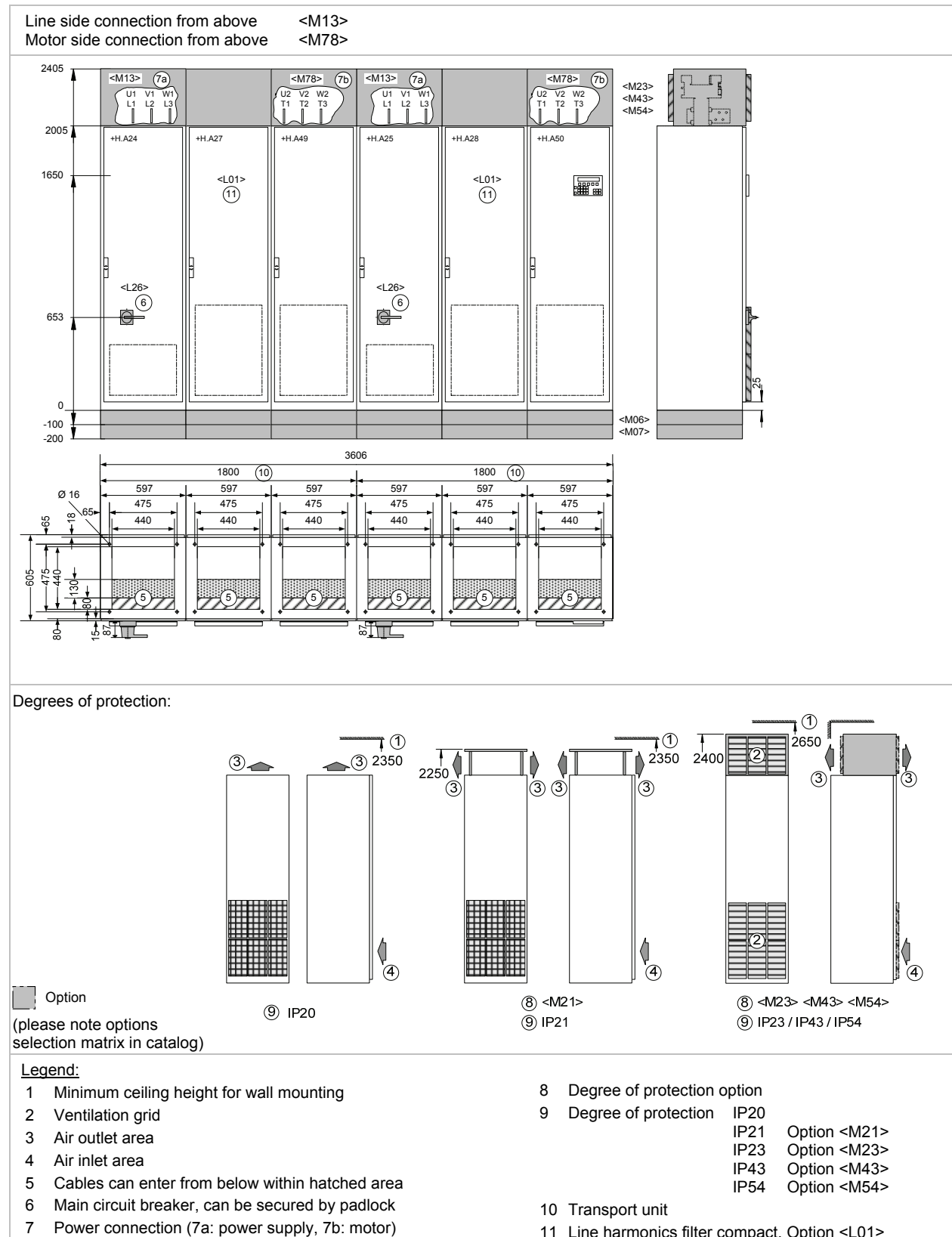
SINAMICS G150 Drive Converter Cabinet Units

Clean Power

Line voltage 500 - 600 V
Parallel circuit

630 kW 860 A
710 kW 1070 A

6SL3710-2GF38-6AA3-Z (+L01)
6SL3710-2GF41-1AA3-Z (+L01)



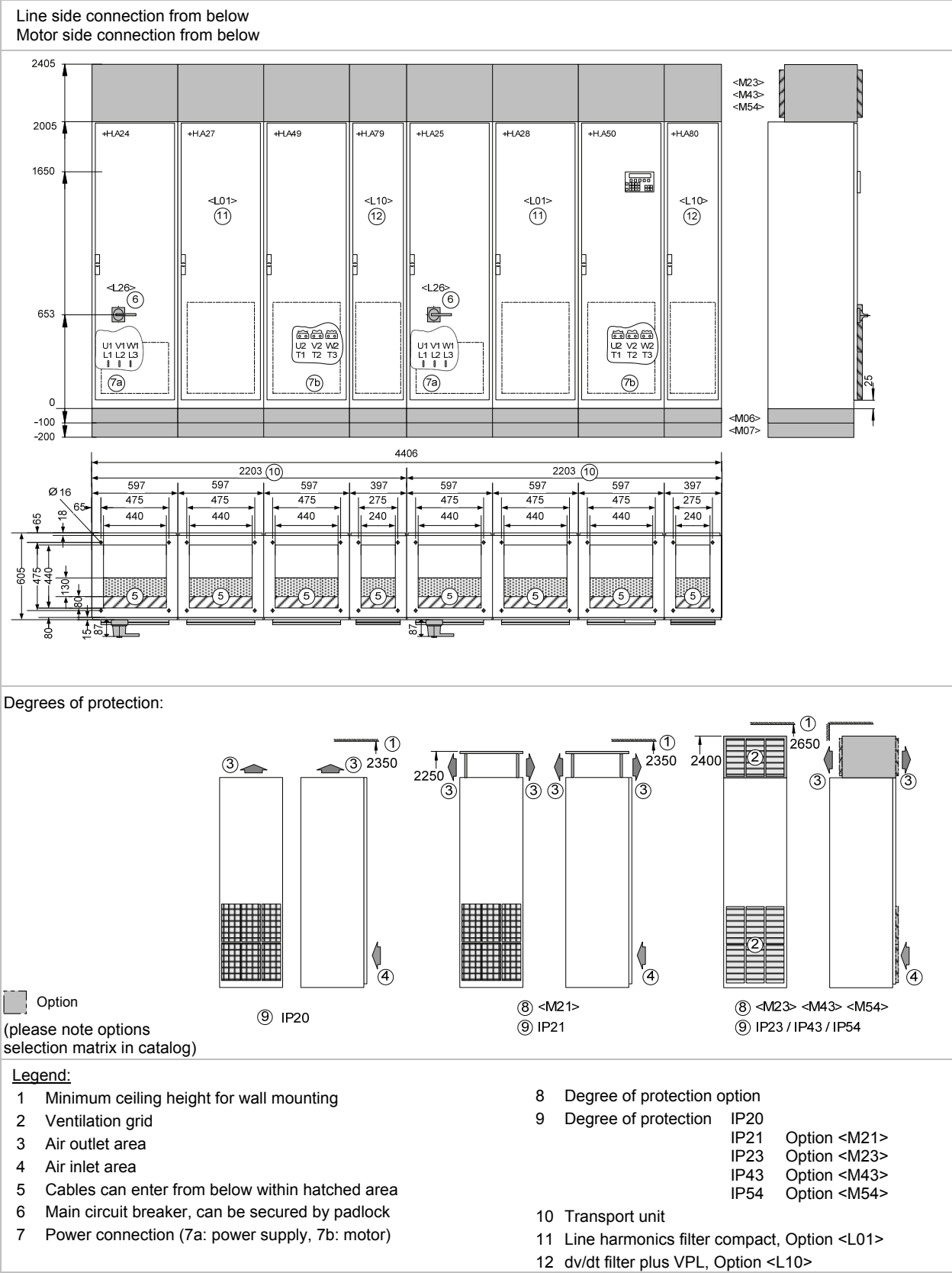
SINAMICS G150 Drive Converter Cabinet Units

Clean Power

Line voltage 500 - 600 V
Parallel circuit
with dv/dt filter plus VPL

630 kW 860 A
710 kW 1070 A

6SL3710-2GF38-6AA3-Z (+L01+L10)
6SL3710-2GF41-1AA3-Z (+L01+L10)



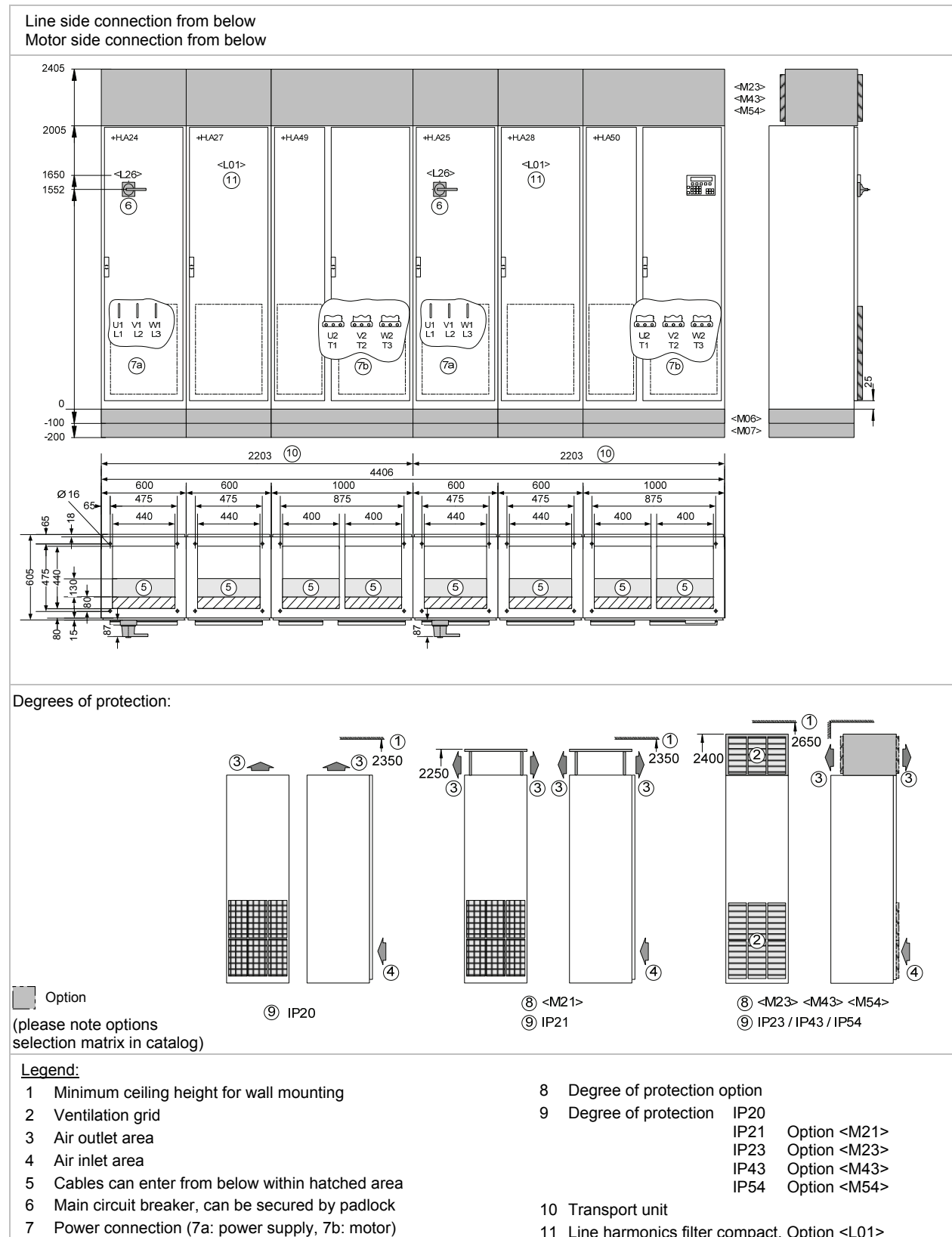
SINAMICS G150 Drive Converter Cabinet Units

Clean Power

Line voltage 500 - 600 V
Parallel circuit

1000 kW 1360 A

6SL3710-2GF41-4AA3-Z (+L01)



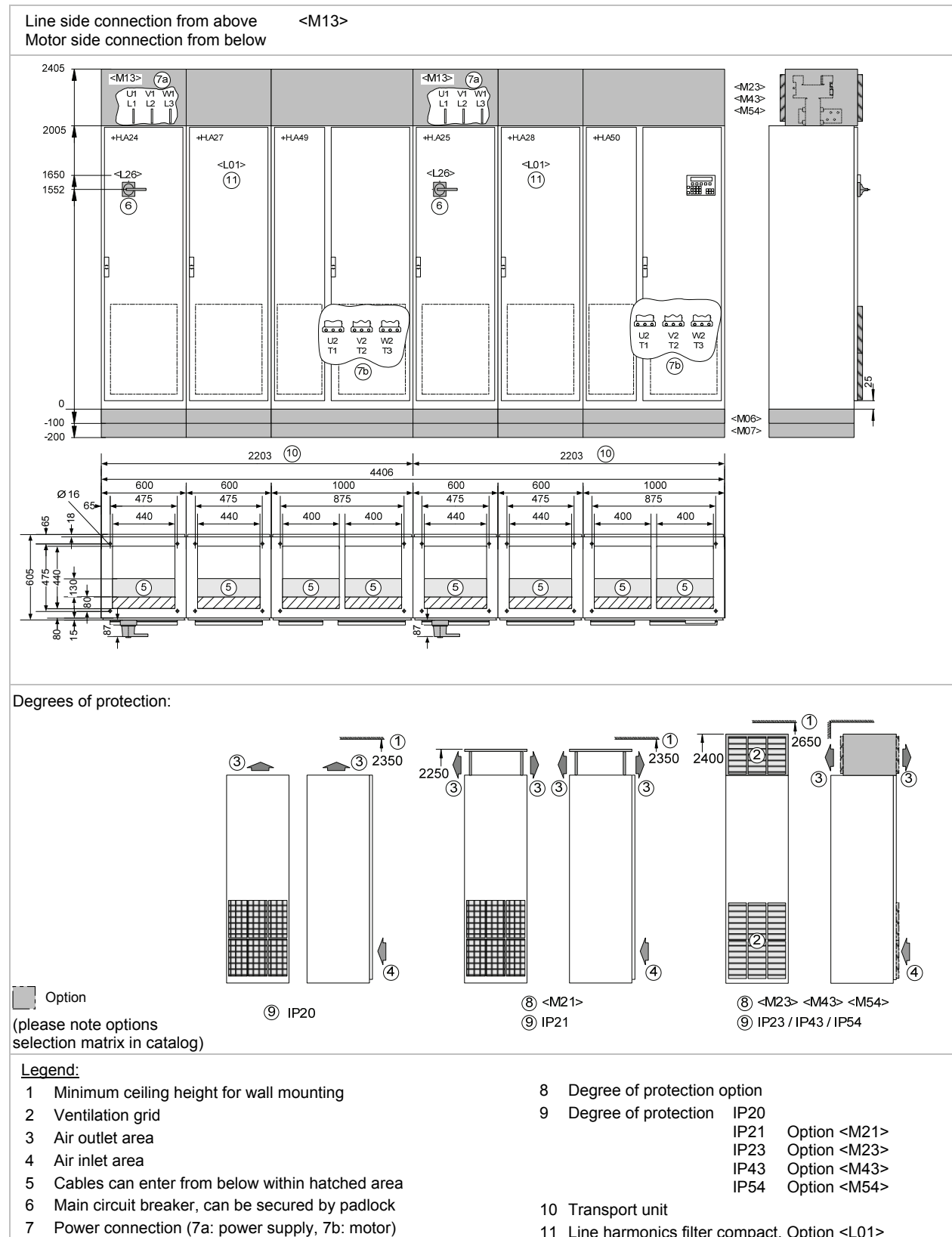
SINAMICS G150 Drive Converter Cabinet Units

Clean Power

Line voltage 500 - 600 V
Parallel circuit

1000 kW 1360 A

6SL3710-2GF41-4AA3-Z (+L01)

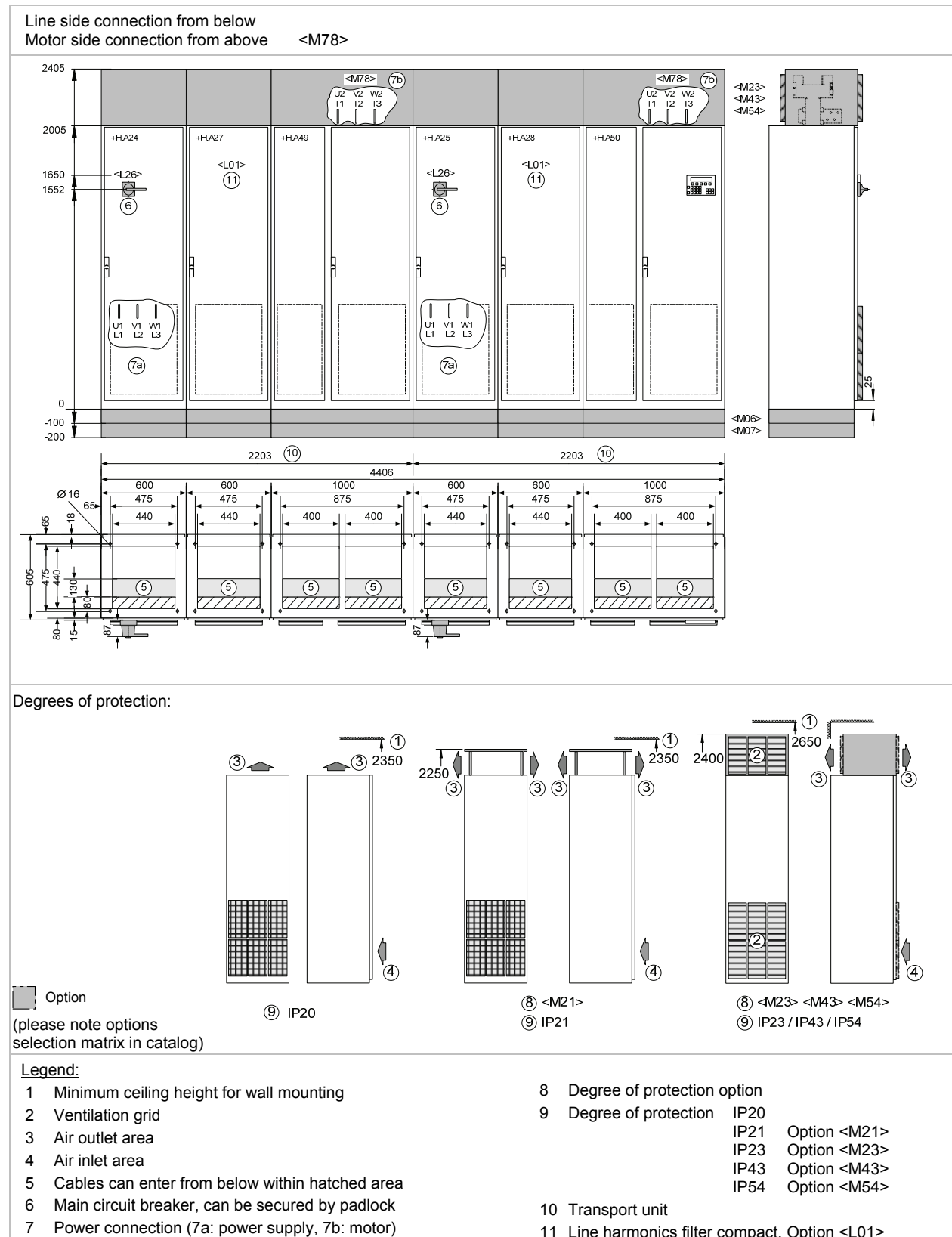


SINAMICS G150 Drive Converter Cabinet Units

Line voltage 500 - 600 V
Parallel circuit

1000 kW 1360 A

Clean Power
6SL3710-2GF41-4AA3-Z (+L01)



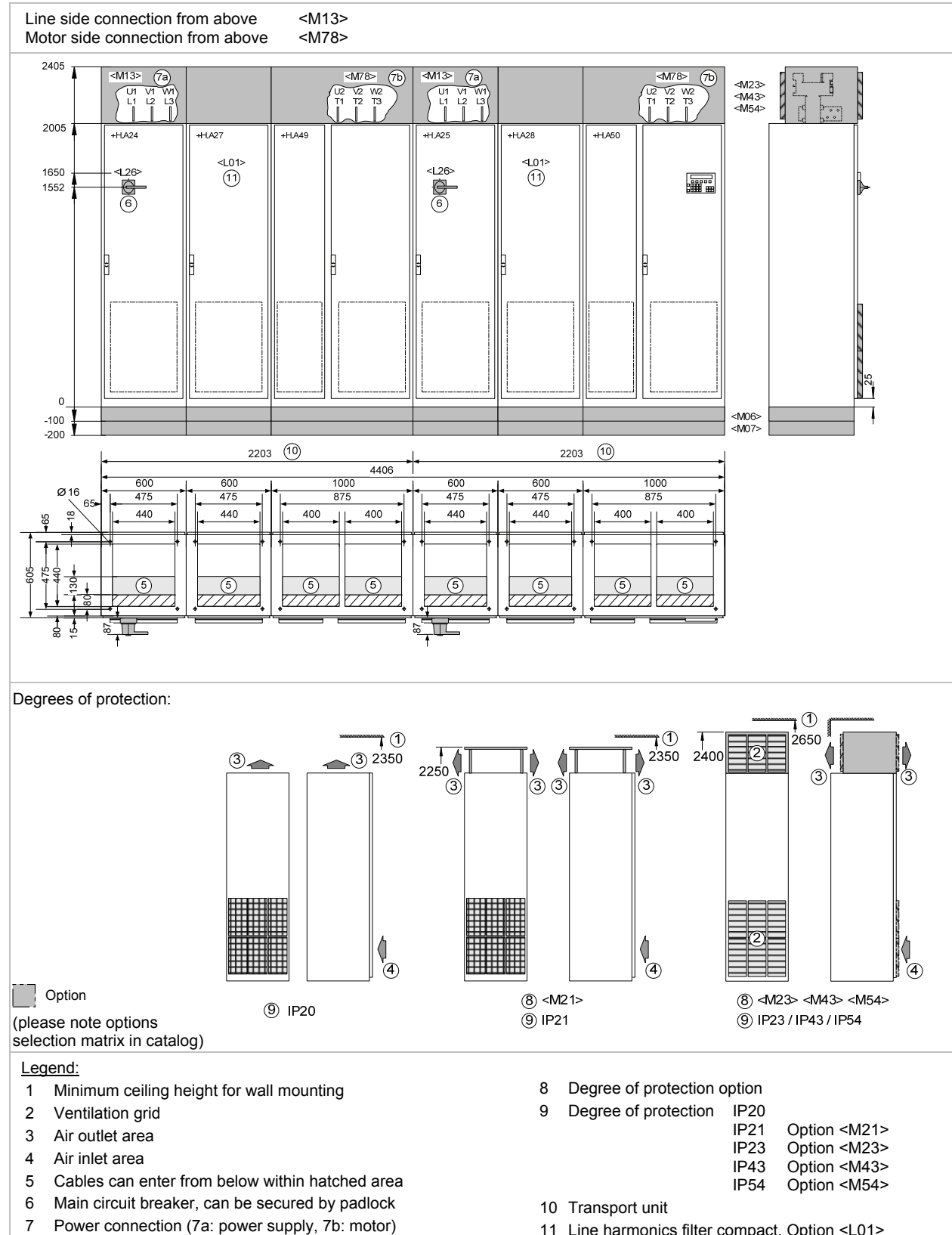
SINAMICS G150 Drive Converter Cabinet Units

Clean Power

Line voltage 500 - 600 V
Parallel circuit

1000 kW 1360 A

6SL3710-2GF41-4AA3-Z (+L01)



SINAMICS G150 Drive Converter Cabinet Units

Clean Power

Line voltage 500 - 600 V

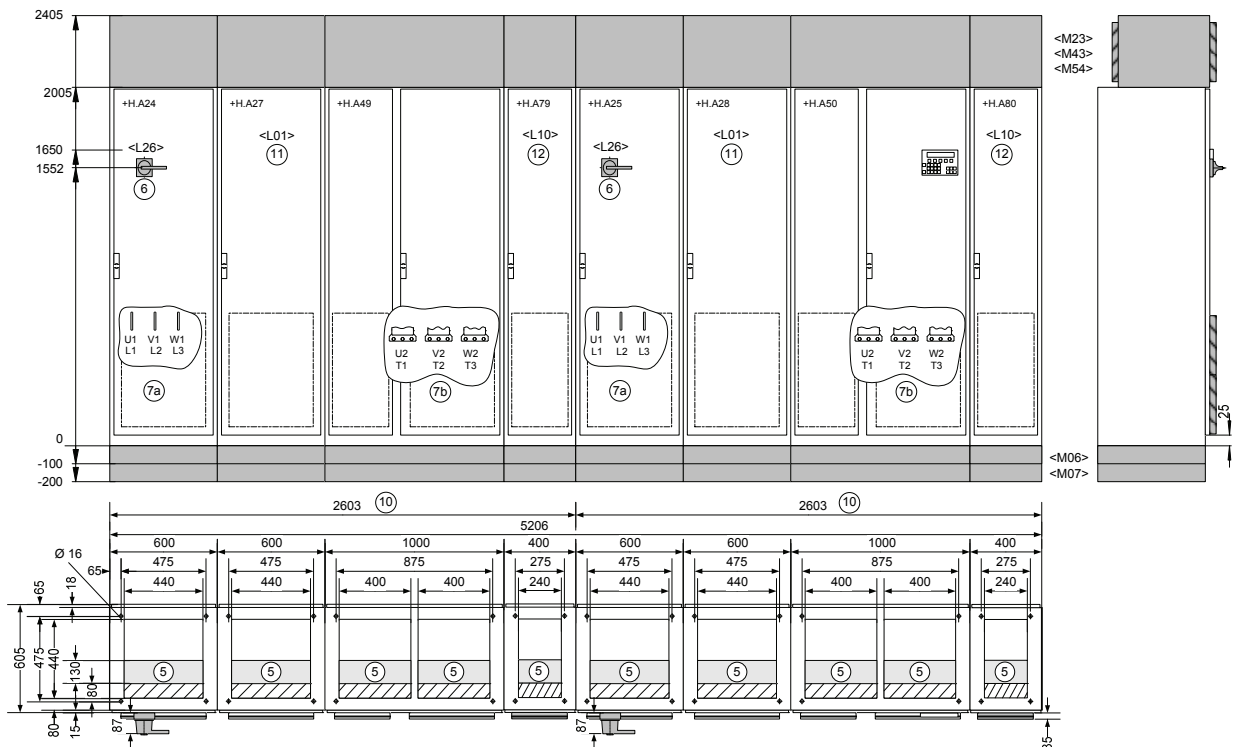
1000 kW 1360 A

6SL3710-2GF41-4AA3-Z (+L01+L10)

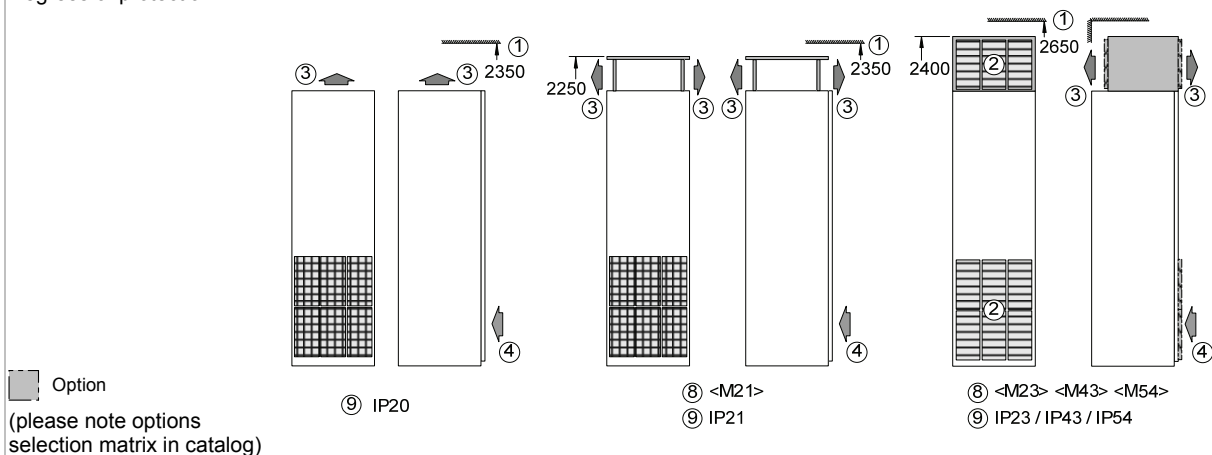
Parallel circuit

with dv/dt filter plus VPL

Line side connection from below
Motor side connection from below



Degrees of protection:



Legend:

- 1 Minimum ceiling height for wall mounting
- 2 Ventilation grid
- 3 Air outlet area
- 4 Air inlet area
- 5 Cables can enter from below within hatched area
- 6 Main circuit breaker, can be secured by padlock
- 7 Power connection (7a: power supply, 7b: motor)

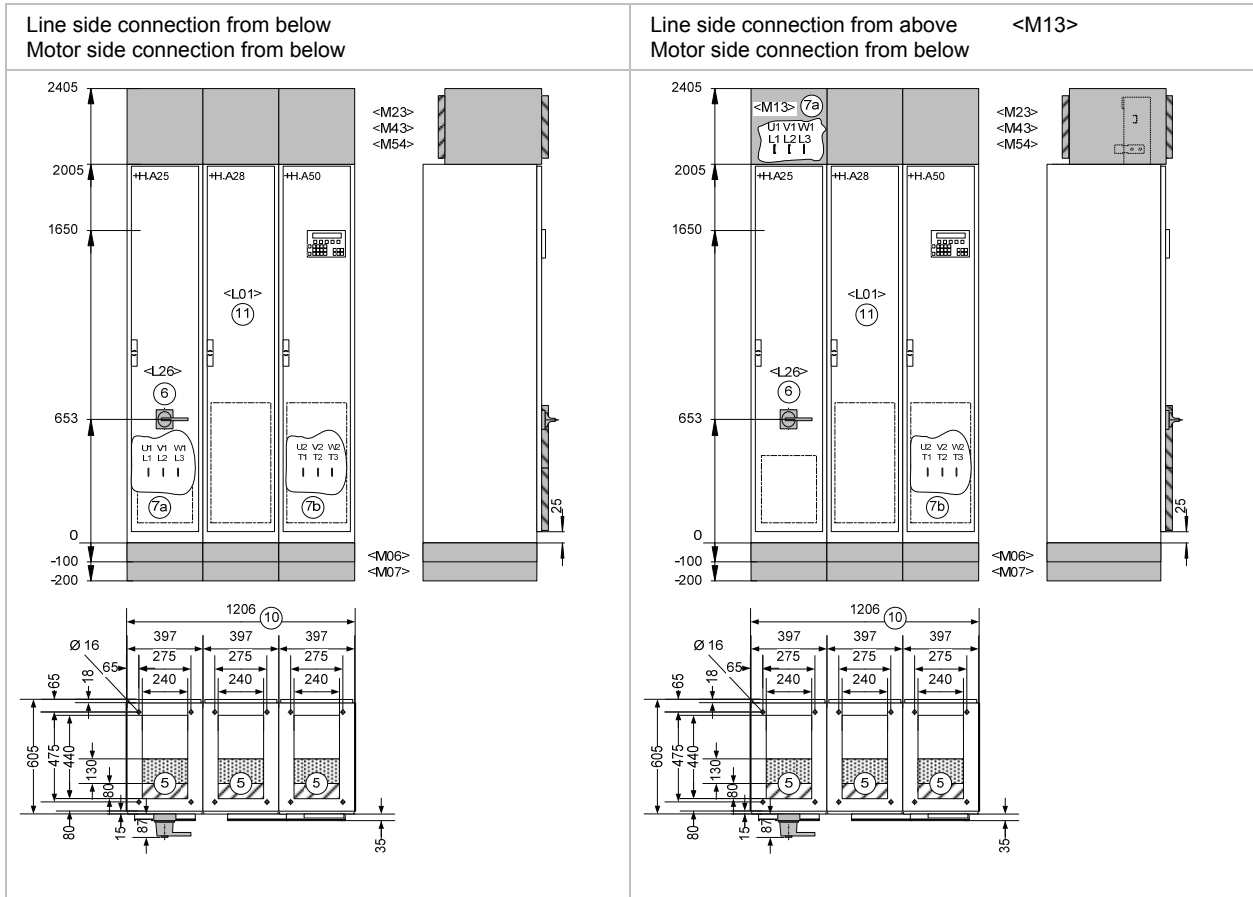
- 8 Degree of protection option
- 9 Degree of protection IP20
IP21 Option <M21>
IP23 Option <M23>
IP43 Option <M43>
IP54 Option <M54>
- 10 Transport unit
- 11 Line harmonics filter compact, Option <L01>
- 12 dv/dt filter plus VPL, Option <L10>

SINAMICS G150 Drive Converter Cabinet Units

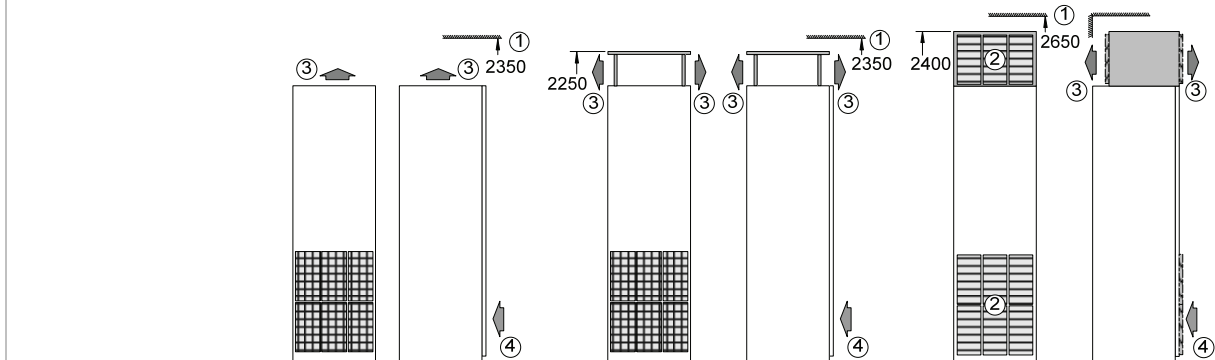
Clean Power

Line voltage 660 - 690 V
Single circuit

75 kW	85 A	6SL3710-1GH28-5AA3-Z (+L01)
90 kW	100 A	6SL3710-1GH31-0AA3-Z (+L01)
110 kW	120 A	6SL3710-1GH31-2AA3-Z (+L01)
132 kW	150 A	6SL3710-1GH31-5AA3-Z (+L01)



Degrees of protection:



Option

(please note options selection matrix in catalog)

Legend:

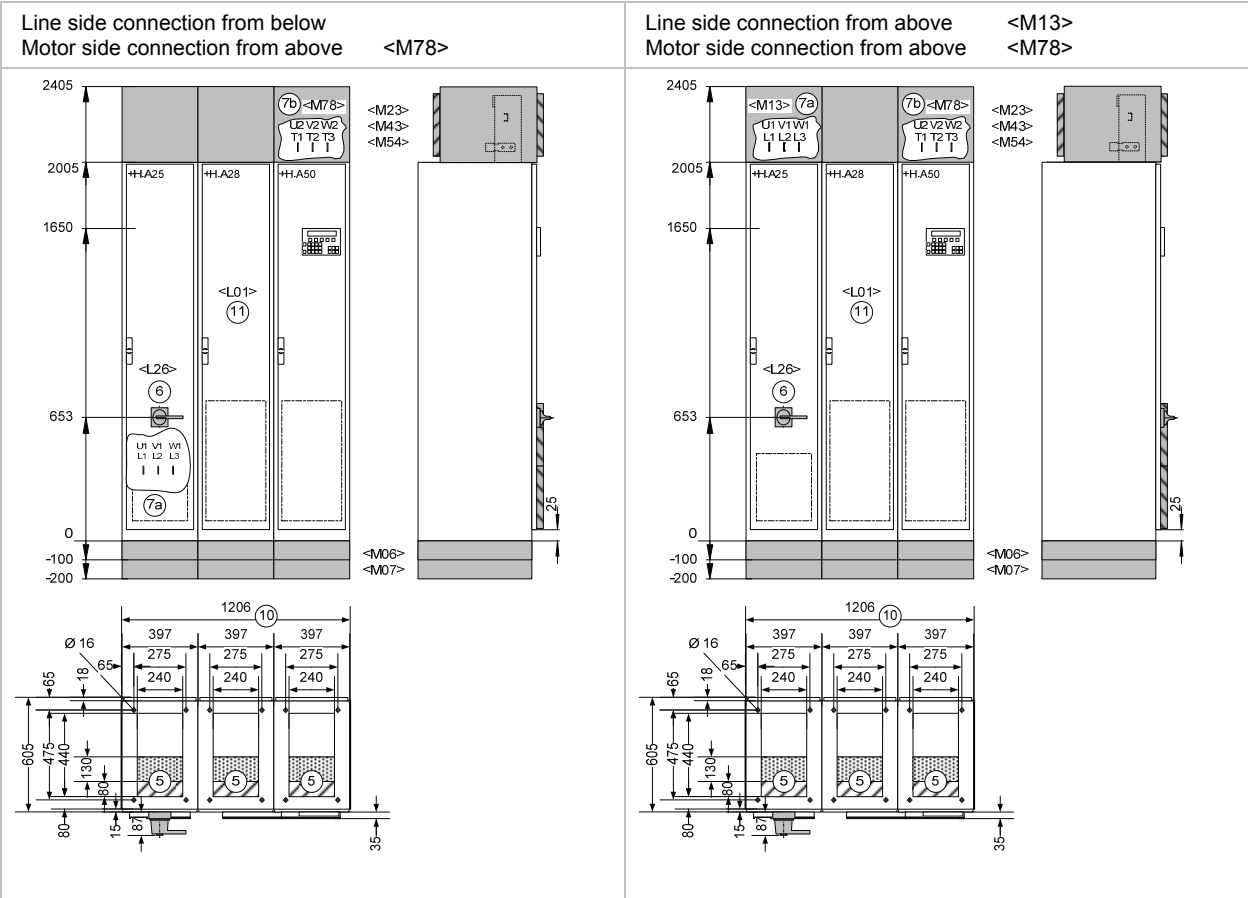
- | | |
|---|--|
| 1 Minimum ceiling height for wall mounting | 8 Degree of protection option |
| 2 Ventilation grid | 9 Degree of protection IP20 |
| 3 Air outlet area | IP21 Option <M21> |
| 4 Air inlet area | IP23 Option <M23> |
| 5 Cables can enter from below within hatched area | IP43 Option <M43> |
| 6 Main circuit breaker, can be secured by padlock | IP54 Option <M54> |
| 7 Power connection (7a: power supply, 7b: motor) | 10 Transport unit |
| | 11 Line harmonics filter compact, Option <L01> |

SINAMICS G150 Drive Converter Cabinet Units

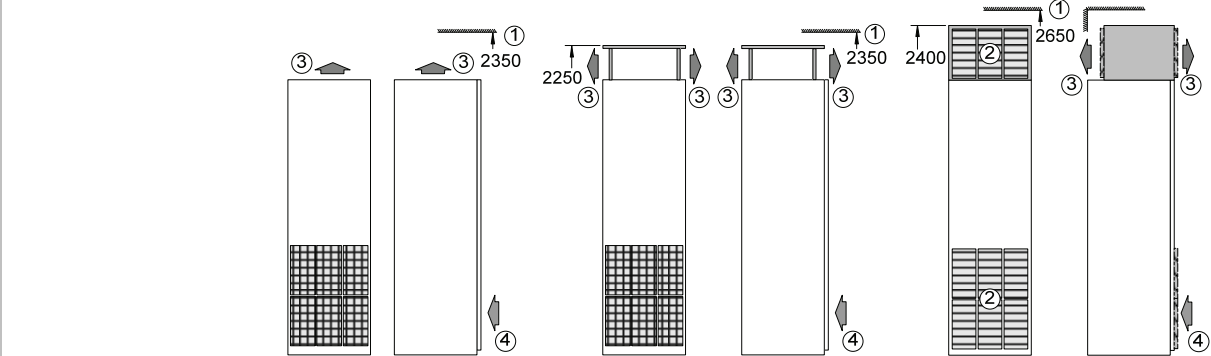
Clean Power

Line voltage 660 - 690 V
Single circuit

75 kW	85 A	6SL3710-1GH28-5AA3-Z (+L01)
90 kW	100 A	6SL3710-1GH31-0AA3-Z (+L01)
110 kW	120 A	6SL3710-1GH31-2AA3-Z (+L01)
132 kW	150 A	6SL3710-1GH31-5AA3-Z (+L01)



Degrees of protection:



Option
(please note options selection matrix in catalog)

- Legend:**
- 1 Minimum ceiling height for wall mounting
 - 2 Ventilation grid
 - 3 Air outlet area
 - 4 Air inlet area
 - 5 Cables can enter from below within hatched area
 - 6 Main circuit breaker, can be secured by padlock
 - 7 Power connection (7a: power supply, 7b: motor)
 - 8 Degree of protection option
 - 9 Degree of protection IP20
IP21 Option <M21>
IP23 Option <M23>
IP43 Option <M43>
IP54 Option <M54>
 - 10 Transport unit
 - 11 Line harmonics filter compact, Option <L01>

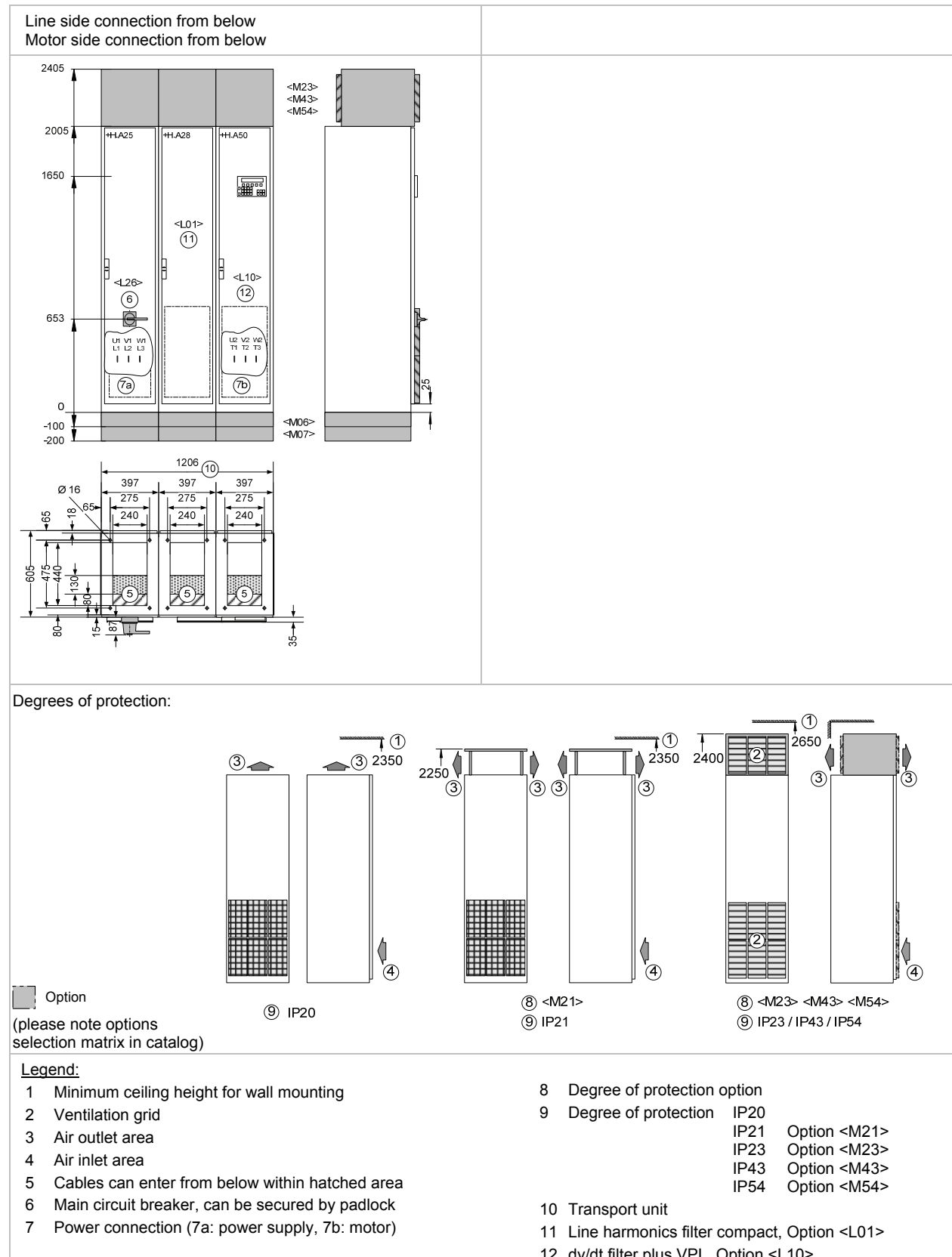
SINAMICS G150 Drive Converter Cabinet Units

Clean Power

Line voltage 660 - 690 V
Single circuit
with dv/dt filter plus VPL

75 kW 85 A
90 kW 100 A
110 kW 120 A
132 kW 150 A

6SL3710-1GH28-5AA3-Z (+L01+L10)
6SL3710-1GH31-0AA3-Z (+L01+L10)
6SL3710-1GH31-2AA3-Z (+L01+L10)
6SL3710-1GH31-5AA3-Z (+L01+L10)

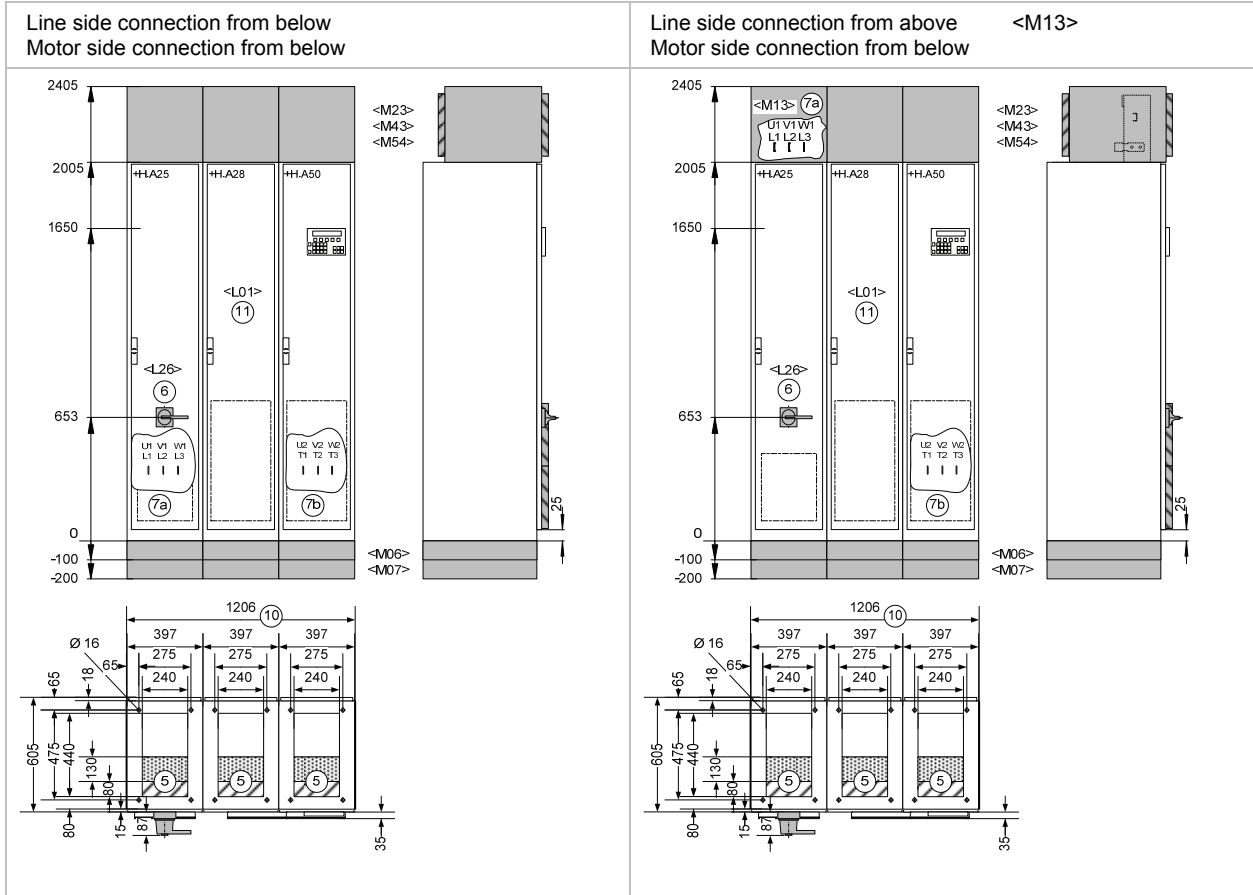


SINAMICS G150 Drive Converter Cabinet Units

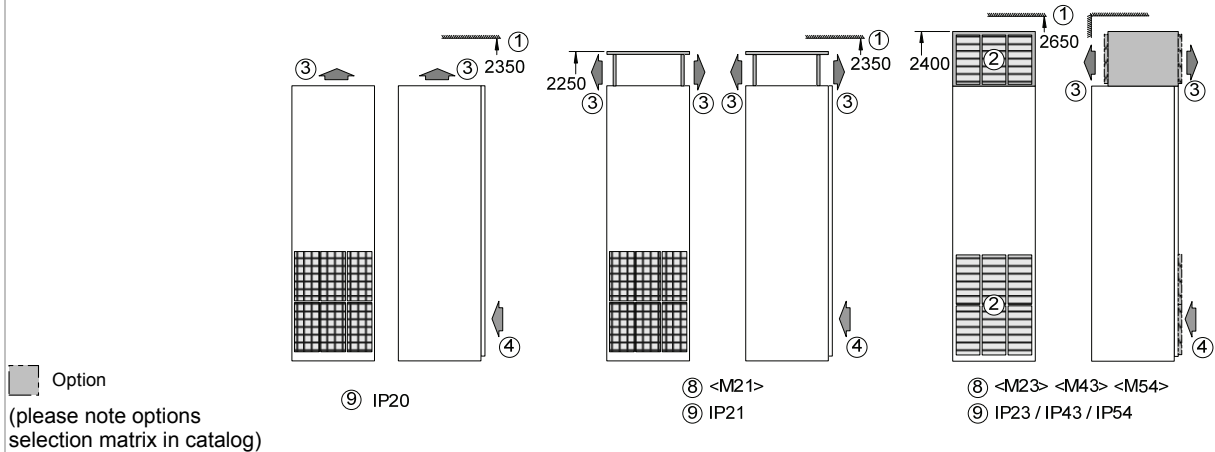
Clean Power

Line voltage 660 - 690 V
Single circuit

160 kW	175 A	6SL3710-1GH31-8AA3-Z (+L01)
200 kW	215 A	6SL3710-1GH32-2AA3-Z (+L01)
250 kW	260 A	6SL3710-1GH32-6AA3-Z (+L01)
315 kW	330 A	6SL3710-1GH33-3AA3-Z (+L01)



Degrees of protection:



Legend:

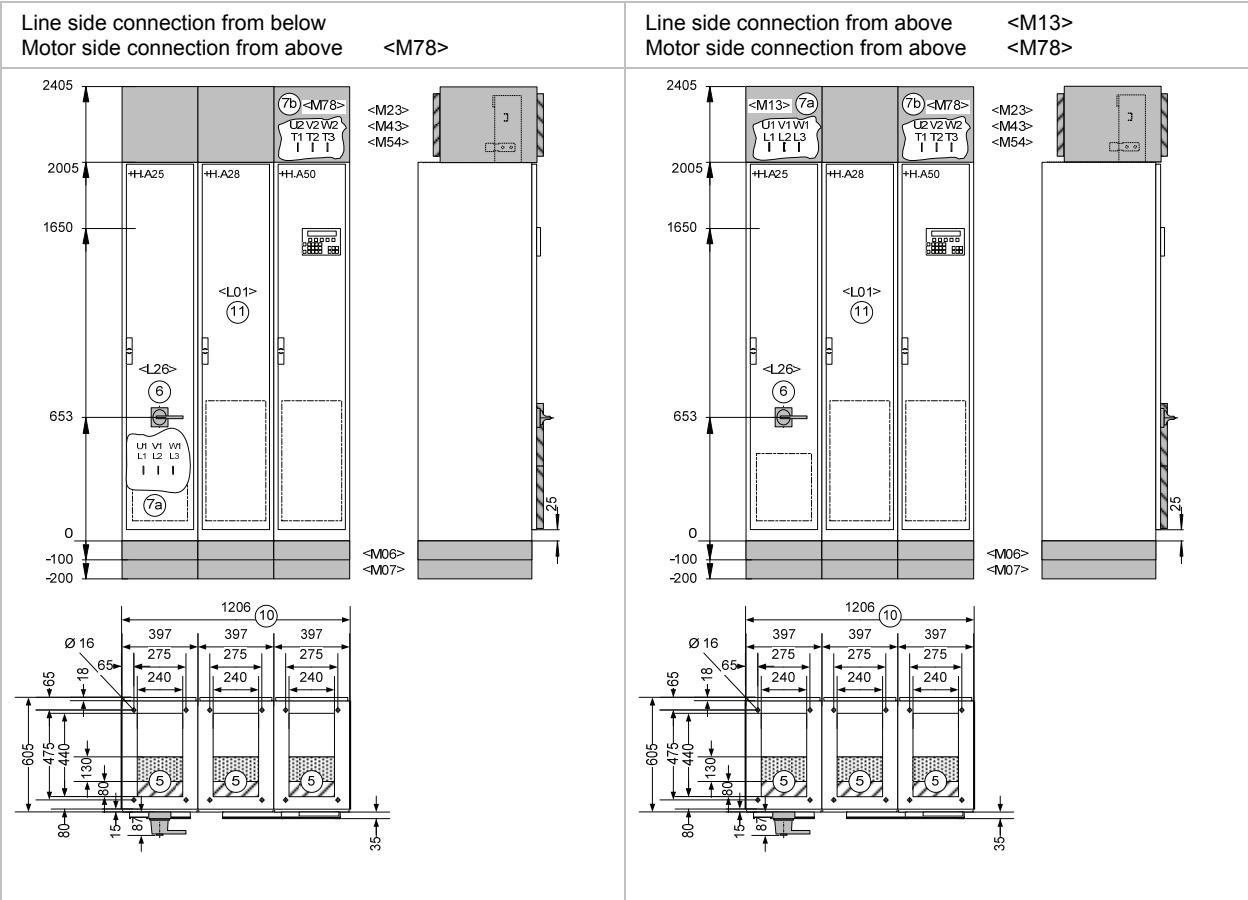
- | | | | |
|---|---|----|---|
| 1 | Minimum ceiling height for wall mounting | 8 | Degree of protection option |
| 2 | Ventilation grid | 9 | Degree of protection IP20 |
| 3 | Air outlet area | | IP21 Option <M21> |
| 4 | Air inlet area | | IP23 Option <M23> |
| 5 | Cables can enter from below within hatched area | | IP43 Option <M43> |
| 6 | Main circuit breaker, can be secured by padlock | | IP54 Option <M54> |
| 7 | Power connection (7a: power supply, 7b: motor) | 10 | Transport unit |
| | | 11 | Line harmonics filter compact, Option <L01> |

SINAMICS G150 Drive Converter Cabinet Units

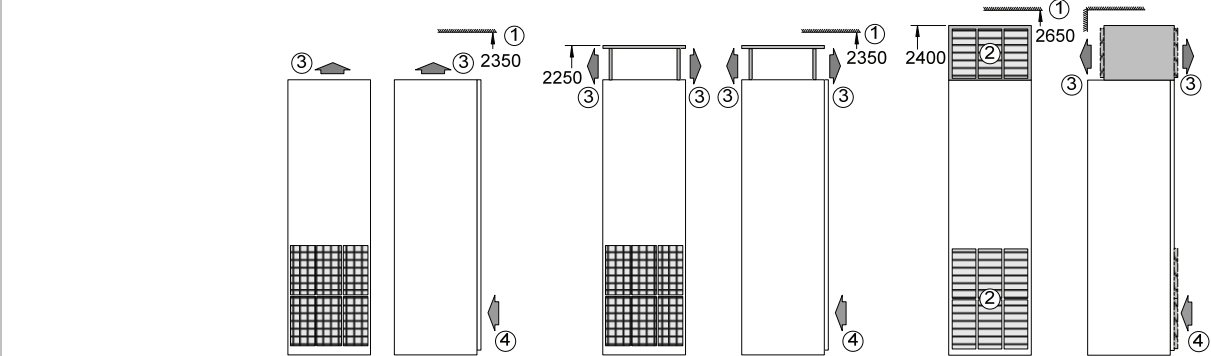
Clean Power

Line voltage 660 - 690 V
Single circuit

160 kW	175 A	6SL3710-1GH31-8AA3-Z (+L01)
200 kW	215 A	6SL3710-1GH32-2AA3-Z (+L01)
250 kW	260 A	6SL3710-1GH32-6AA3-Z (+L01)
315 kW	330 A	6SL3710-1GH33-3AA3-Z (+L01)



Degrees of protection:



Option

(please note options selection matrix in catalog)

Legend:

- 1 Minimum ceiling height for wall mounting
- 2 Ventilation grid
- 3 Air outlet area
- 4 Air inlet area
- 5 Cables can enter from below within hatched area
- 6 Main circuit breaker, can be secured by padlock
- 7 Power connection (7a: power supply, 7b: motor)
- 8 Degree of protection option
- 9 Degree of protection IP20
IP21 Option <M21>
IP23 Option <M23>
IP43 Option <M43>
IP54 Option <M54>
- 10 Transport unit
- 11 Line harmonics filter compact, Option <L01>

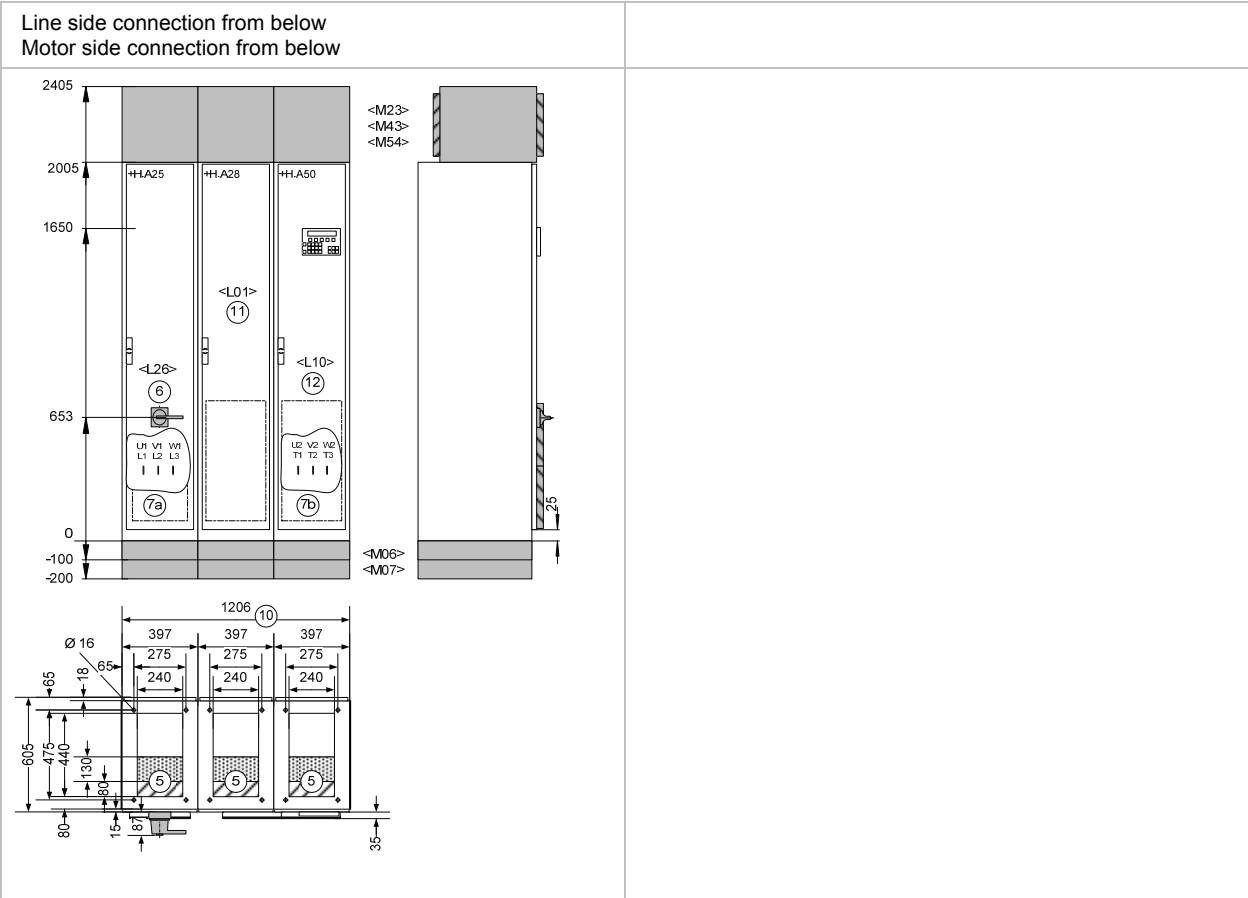
SINAMICS G150 Drive Converter Cabinet Units

Clean Power

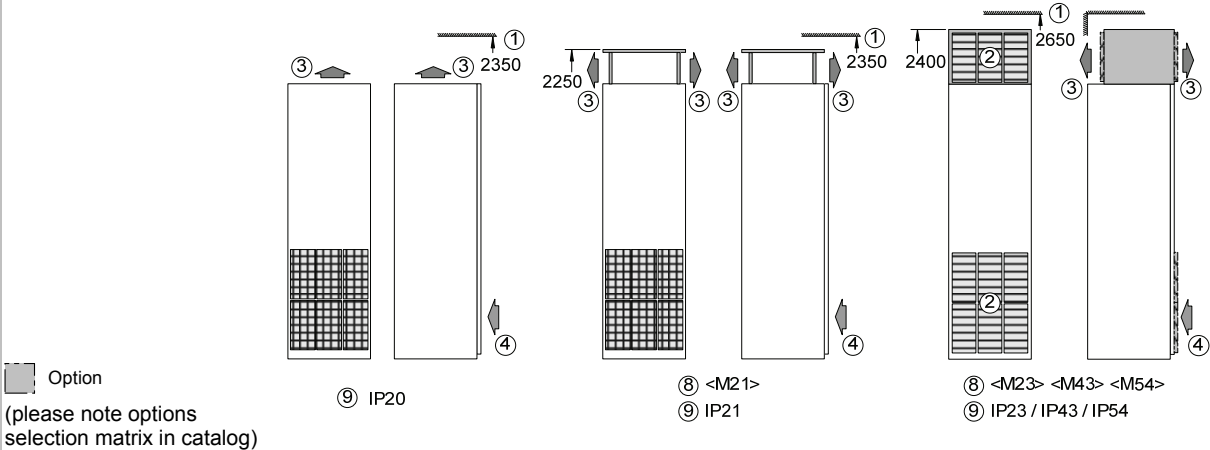
Line voltage 660 - 690 V
Single circuit
with dv/dt filter plus VPL

160 kW 175 A
200 kW 215 A
250 kW 260 A
315 kW 330 A

6SL3710-1GH31-8AA3-Z (+L01+L10)
6SL3710-1GH32-2AA3-Z (+L01+L10)
6SL3710-1GH32-6AA3-Z (+L01+L10)
6SL3710-1GH33-3AA3-Z (+L01+L10)



Degrees of protection:



Legend:

- 1 Minimum ceiling height for wall mounting
- 2 Ventilation grid
- 3 Air outlet area
- 4 Air inlet area
- 5 Cables can enter from below within hatched area
- 6 Main circuit breaker, can be secured by padlock
- 7 Power connection (7a: power supply, 7b: motor)
- 8 Degree of protection option
- 9 Degree of protection IP20
IP21 Option <M21>
IP23 Option <M23>
IP43 Option <M43>
IP54 Option <M54>
- 10 Transport unit
- 11 Line harmonics filter compact, Option <L01>
- 12 dv/dt filter plus VPL, Option <L10>

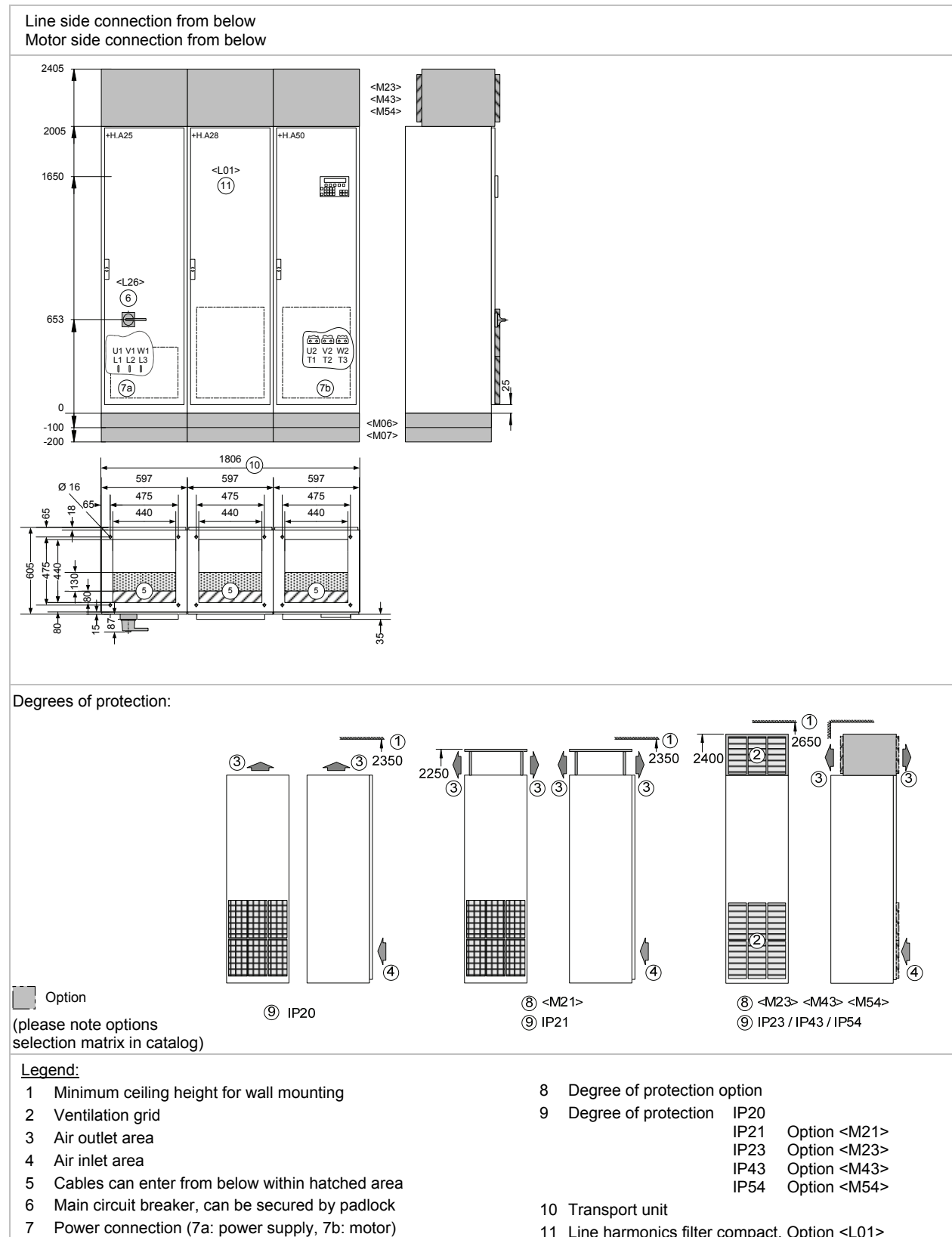
SINAMICS G150 Drive Converter Cabinet Units

Clean Power

Line voltage 660 - 690 V
Single circuit

400 kW 410 A
450 kW 465 A
560 kW 575 A

6SL3710-1GH34-1AA3-Z (+L01)
6SL3710-1GH34-7AA3-Z (+L01)
6SL3710-1GH35-8AA3-Z (+L01)



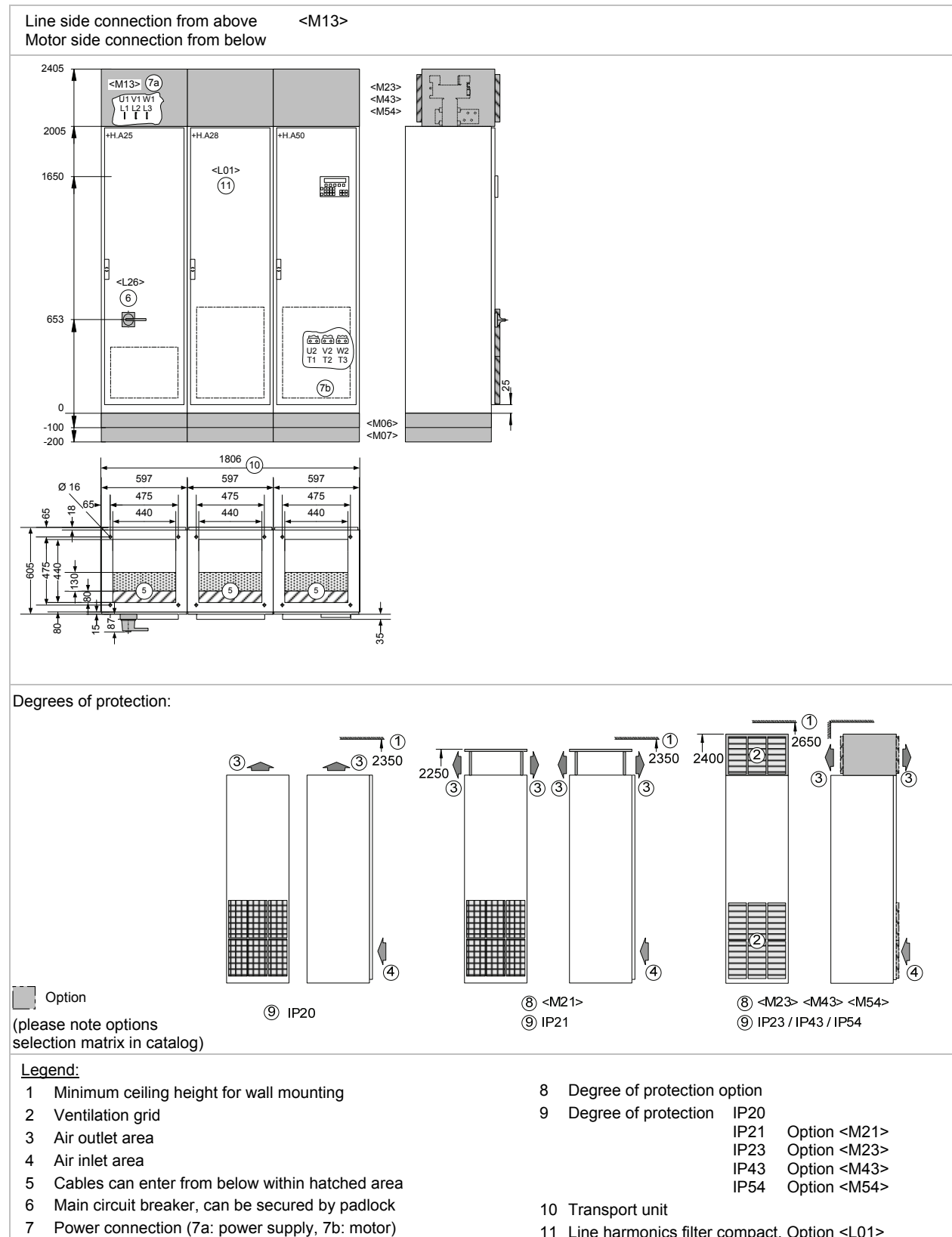
SINAMICS G150 Drive Converter Cabinet Units

Clean Power

Line voltage 660 - 690 V
Single circuit

400 kW 410 A
450 kW 465 A
560 kW 575 A

6SL3710-1GH34-1AA3-Z (+L01)
6SL3710-1GH34-7AA3-Z (+L01)
6SL3710-1GH35-8AA3-Z (+L01)



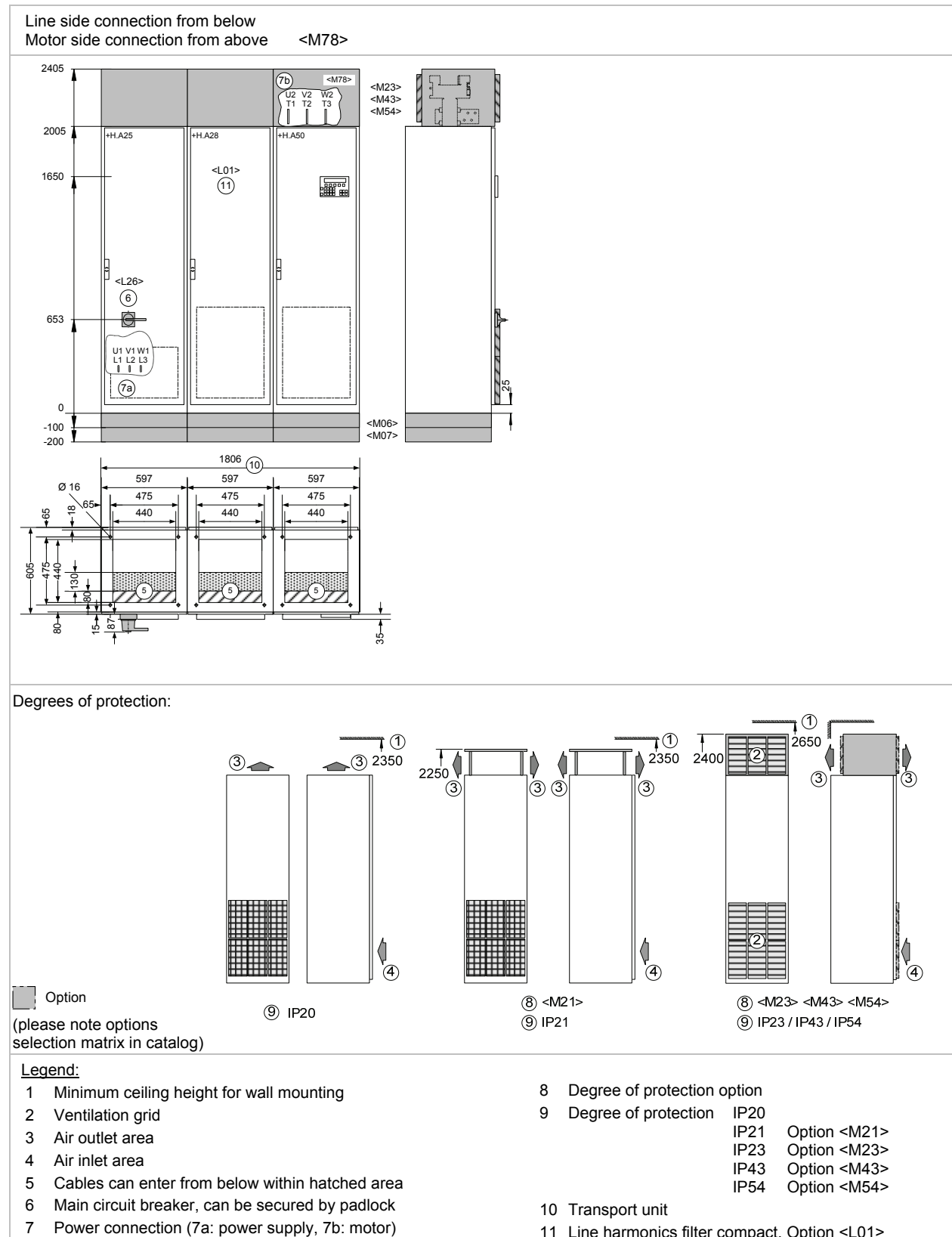
SINAMICS G150 Drive Converter Cabinet Units

Clean Power

Line voltage 660 - 690 V
Single circuit

400 kW 410 A
450 kW 465 A
560 kW 575 A

6SL3710-1GH34-1AA3-Z (+L01)
6SL3710-1GH34-7AA3-Z (+L01)
6SL3710-1GH35-8AA3-Z (+L01)



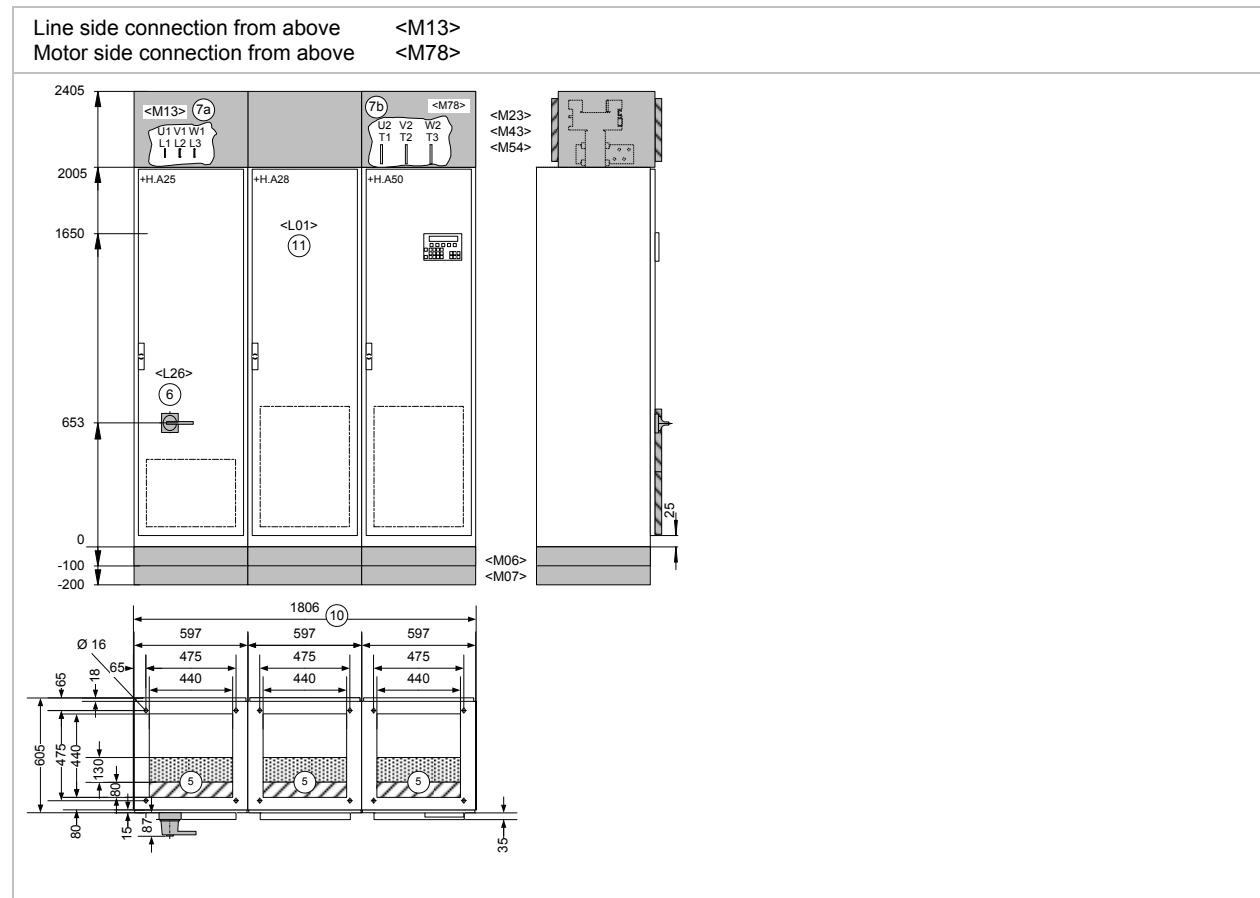
SINAMICS G150 Drive Converter Cabinet Units

Clean Power

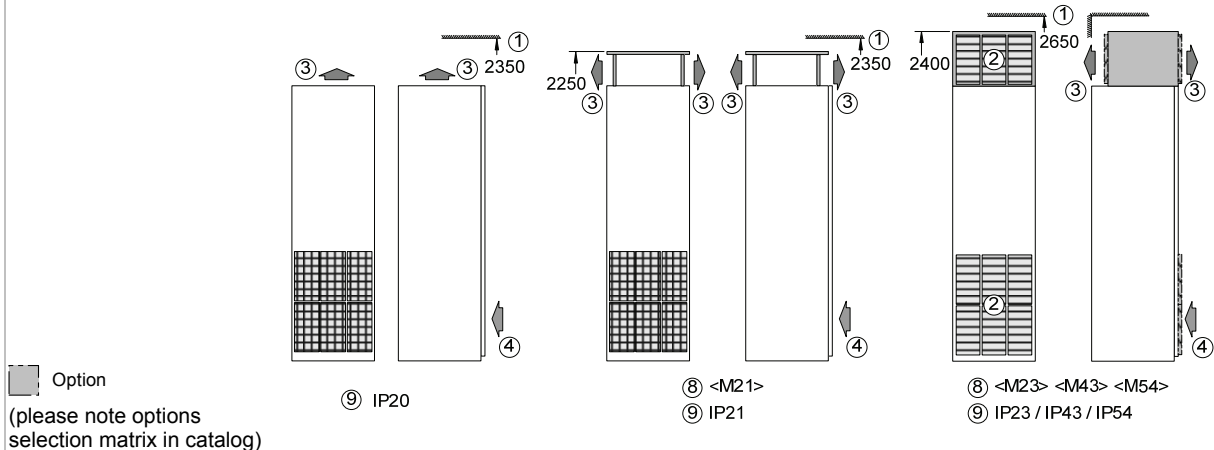
Line voltage 660 - 690 V
Single circuit

400 kW 410 A
450 kW 465 A
560 kW 575 A

6SL3710-1GH34-1AA3-Z (+L01)
6SL3710-1GH34-7AA3-Z (+L01)
6SL3710-1GH35-8AA3-Z (+L01)



Degrees of protection:



Legend:

- | | |
|---|--|
| 1 Minimum ceiling height for wall mounting | 8 Degree of protection option |
| 2 Ventilation grid | 9 Degree of protection IP20 |
| 3 Air outlet area | IP21 Option <M21> |
| 4 Air inlet area | IP23 Option <M23> |
| 5 Cables can enter from below within hatched area | IP43 Option <M43> |
| 6 Main circuit breaker, can be secured by padlock | IP54 Option <M54> |
| 7 Power connection (7a: power supply, 7b: motor) | 10 Transport unit |
| | 11 Line harmonics filter compact, Option <L01> |

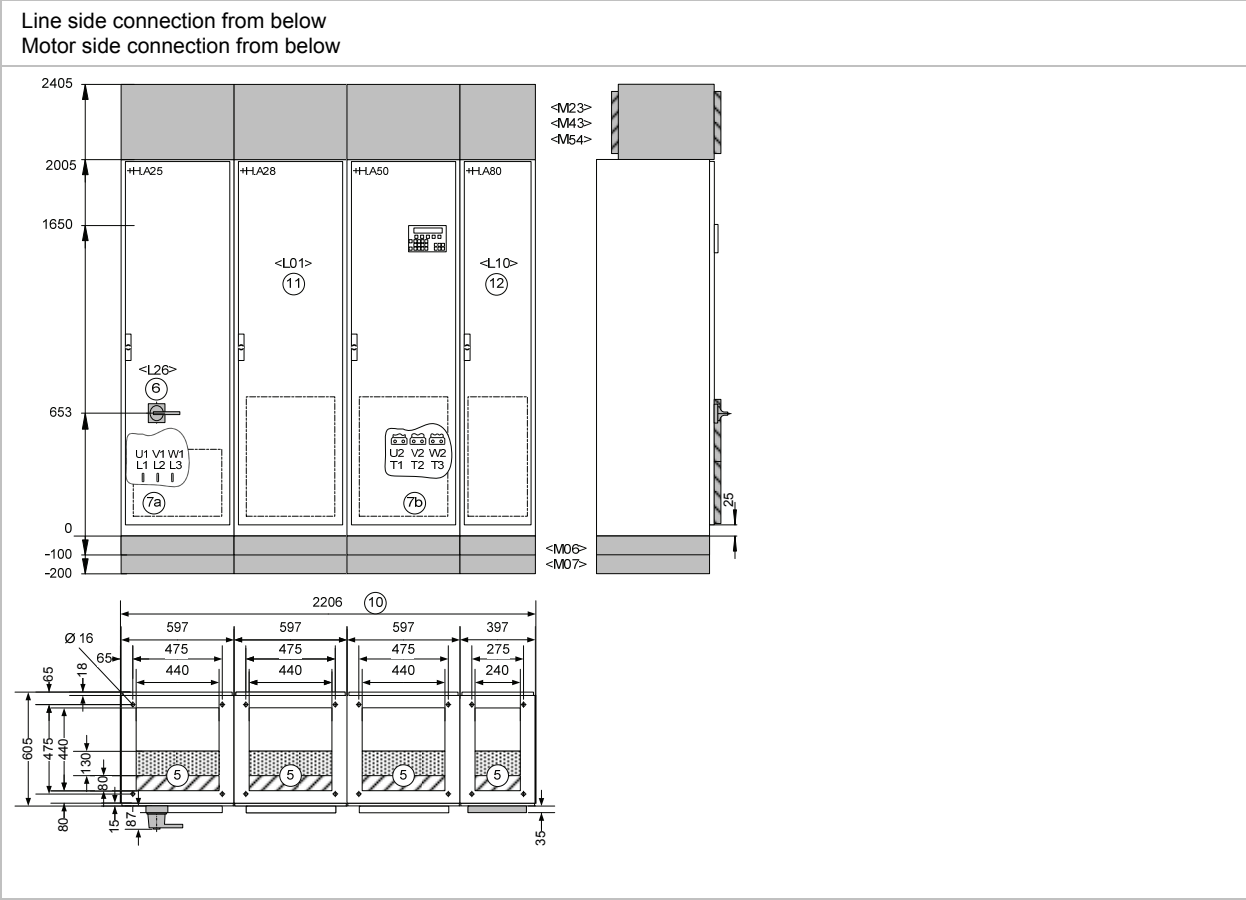
SINAMICS G150 Drive Converter Cabinet Units

Clean Power

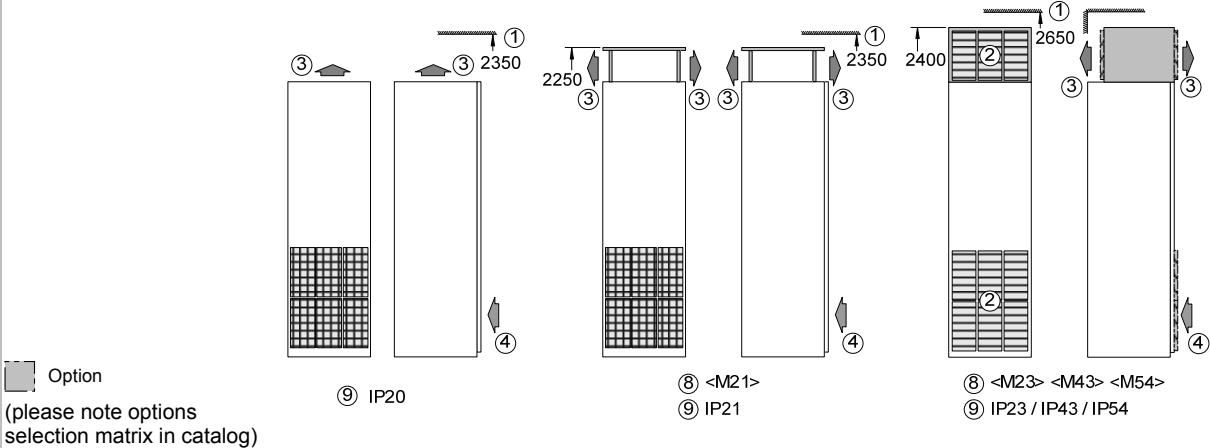
Line voltage 660 - 690 V
Single circuit
with dv/dt filter plus VPL

400 kW 410 A
450 kW 465 A
560 kW 575 A

6SL3710-1GH34-1AA3-Z (+L01+L10)
6SL3710-1GH34-7AA3-Z (+L01+L10)
6SL3710-1GH35-8AA3-Z (+L01+L10)



Degrees of protection:



Legend:

- 1 Minimum ceiling height for wall mounting
- 2 Ventilation grid
- 3 Air outlet area
- 4 Air inlet area
- 5 Cables can enter from below within hatched area
- 6 Main circuit breaker, can be secured by padlock
- 7 Power connection (7a: power supply, 7b: motor)
- 8 Degree of protection option
- 9 Degree of protection IP20
IP21 Option <M21>
IP23 Option <M23>
IP43 Option <M43>
IP54 Option <M54>
- 10 Transport unit
- 11 Line harmonics filter compact, Option <L01>
- 12 dv/dt filter plus VPL, Option <L10>

SINAMICS G150 Drive Converter Cabinet Units

Clean Power

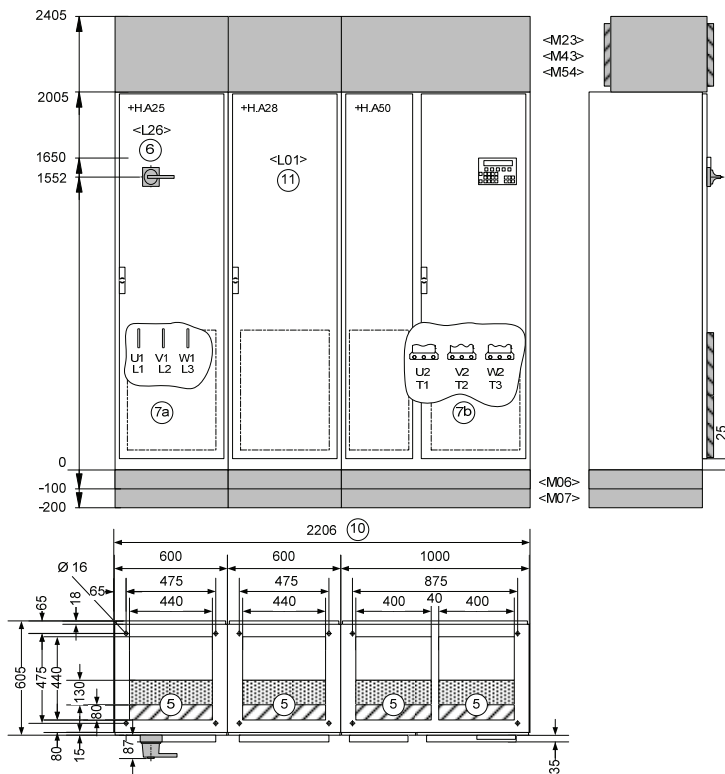
Line voltage 660 - 690 V
Single circuit

710 kW

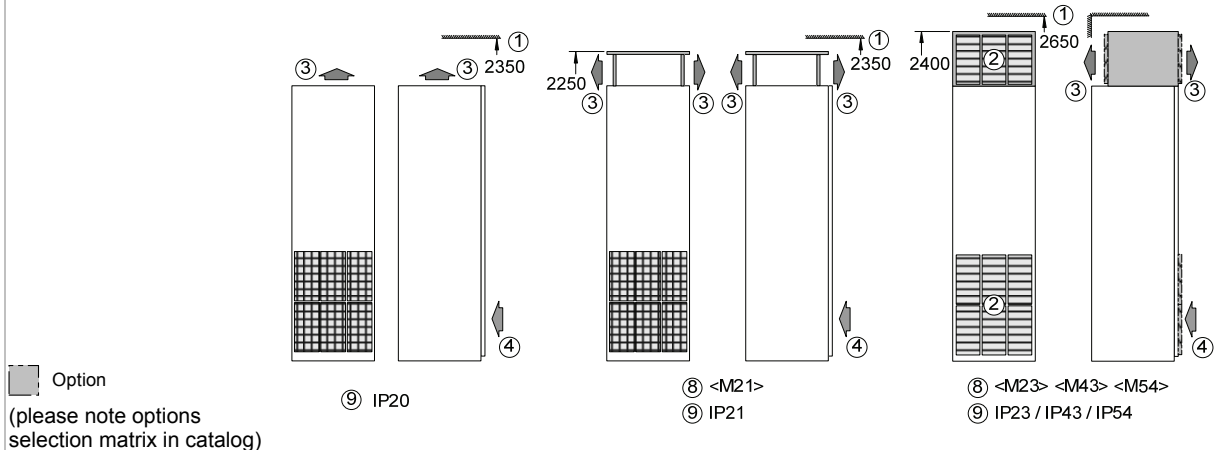
735 A

6SL3710-1GH37-4AA3-Z (+L01)

Line side connection from below
Motor side connection from below



Degrees of protection:



Legend:

- 1 Minimum ceiling height for wall mounting
- 2 Ventilation grid
- 3 Air outlet area
- 4 Air inlet area
- 5 Cables can enter from below within hatched area
- 6 Main circuit breaker, can be secured by padlock
- 7 Power connection (7a: power supply, 7b: motor)

- 8 Degree of protection option
- 9 Degree of protection IP20
IP21 Option <M21>
IP23 Option <M23>
IP43 Option <M43>
IP54 Option <M54>
- 10 Transport unit
- 11 Line harmonics filter compact, Option <L01>

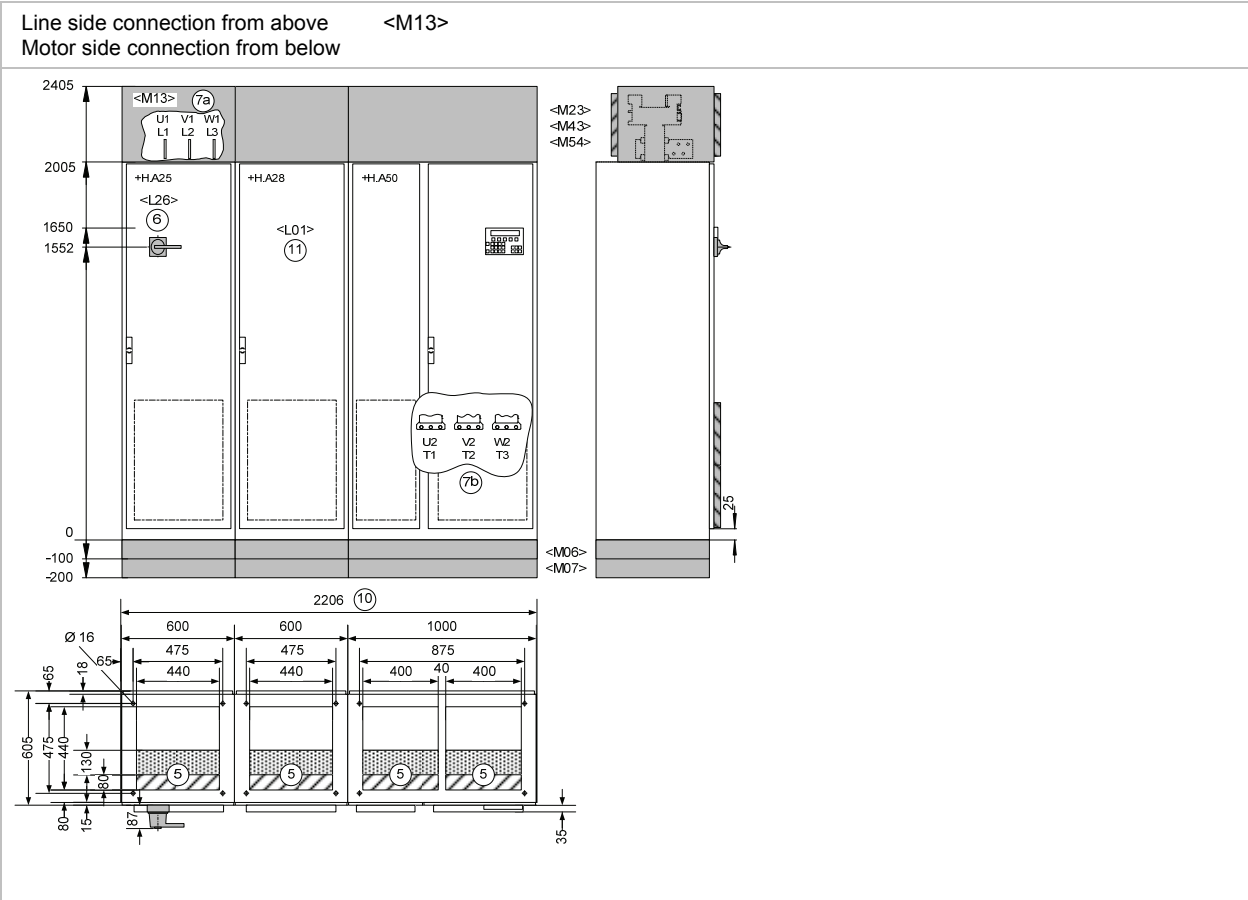
SINAMICS G150 Drive Converter Cabinet Units

Clean Power

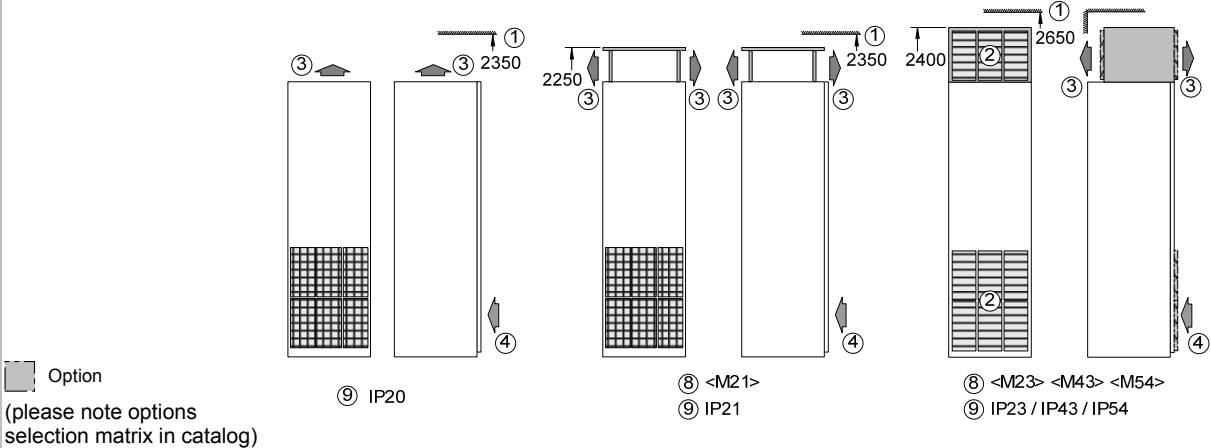
Line voltage 660 - 690 V
Single circuit

710 kW 735 A

6SL3710-1GH37-4AA3-Z (+L01)



Degrees of protection:



Legend:

- 1 Minimum ceiling height for wall mounting
- 2 Ventilation grid
- 3 Air outlet area
- 4 Air inlet area
- 5 Cables can enter from below within hatched area
- 6 Main circuit breaker, can be secured by padlock
- 7 Power connection (7a: power supply, 7b: motor)
- 8 Degree of protection option
- 9 Degree of protection IP20
IP21 Option <M21>
IP23 Option <M23>
IP43 Option <M43>
IP54 Option <M54>
- 10 Transport unit
- 11 Line harmonics filter compact, Option <L01>

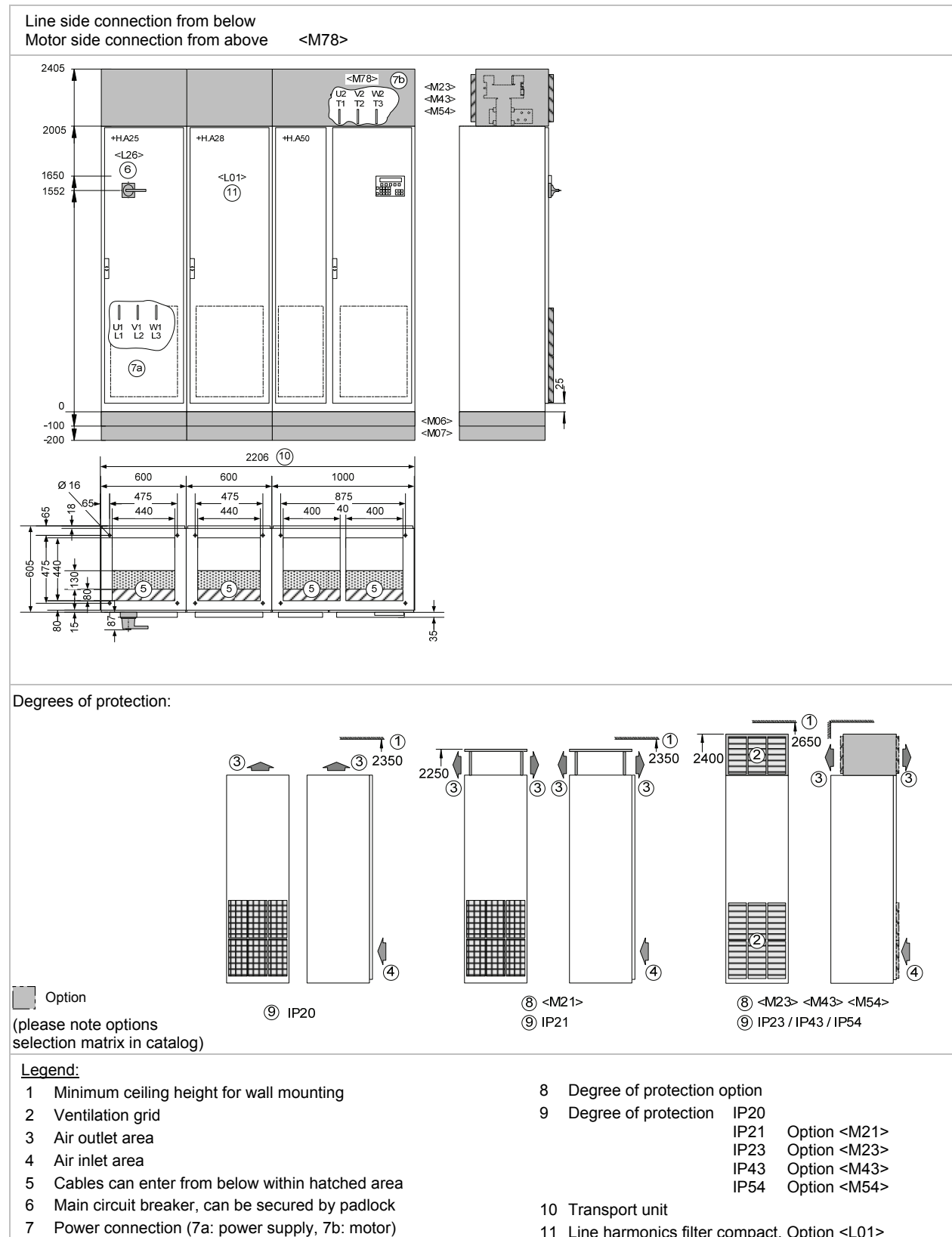
SINAMICS G150 Drive Converter Cabinet Units

Clean Power

Line voltage 660 - 690 V
Single circuit

710 kW 735 A

6SL3710-1GH37-4AA3-Z (+L01)



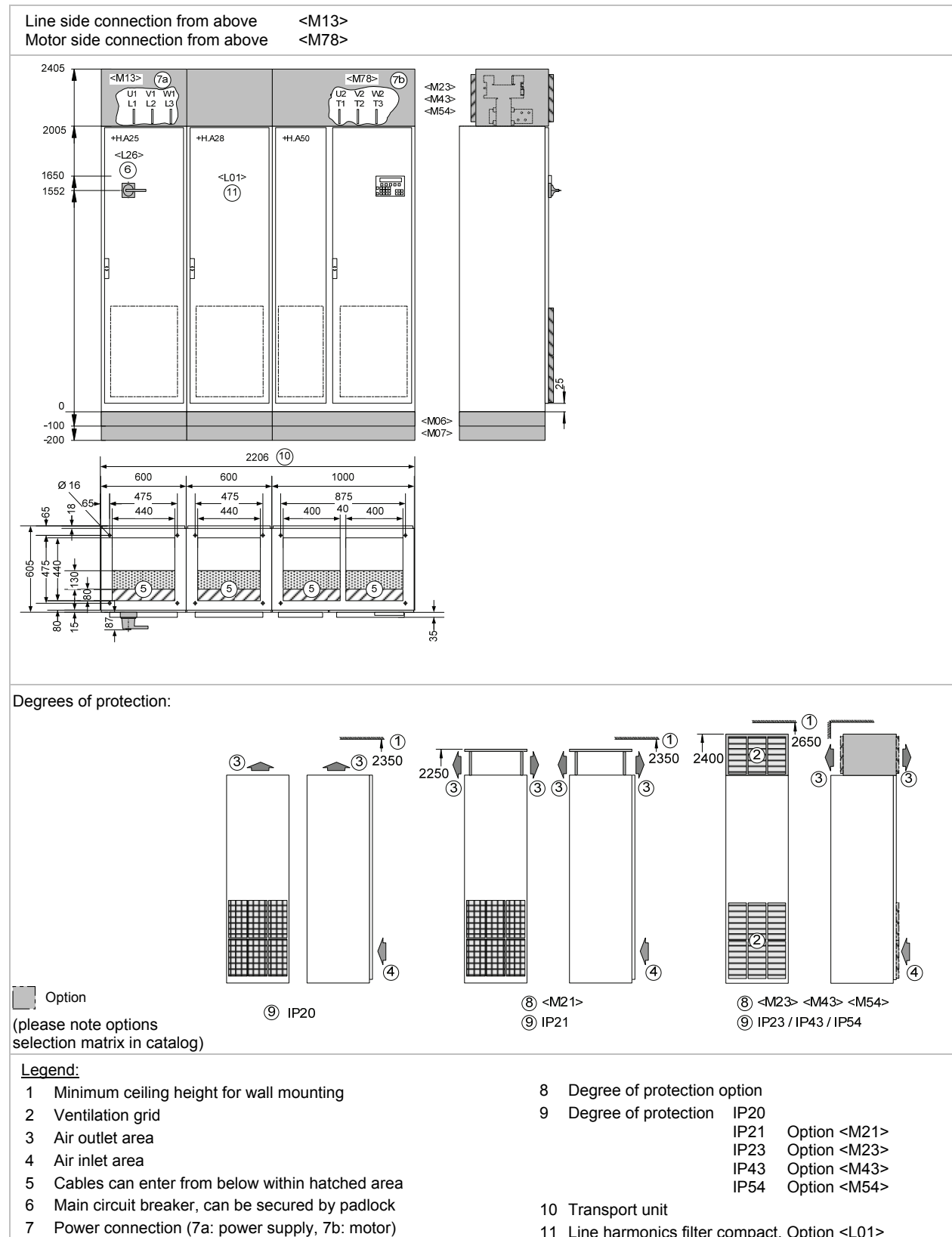
SINAMICS G150 Drive Converter Cabinet Units

Clean Power

Line voltage 660 - 690 V
Single circuit

710 kW 735 A

6SL3710-1GH37-4AA3-Z (+L01)



SINAMICS G150 Drive Converter Cabinet Units

Clean Power

Line voltage 660 - 690 V

710 kW

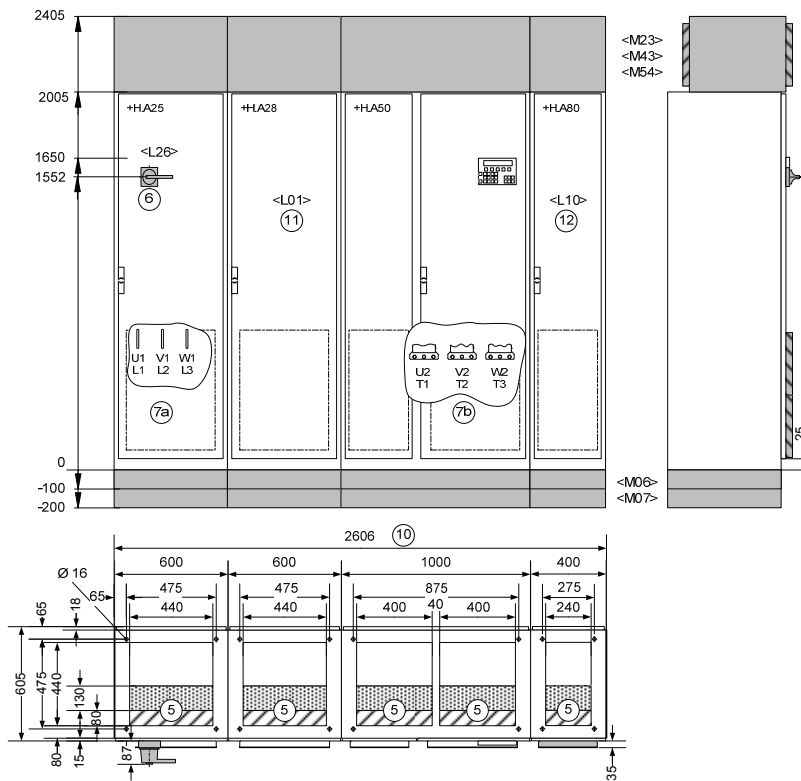
735 A

6SL3710-1GH37-4AA3-Z (+L01+L10)

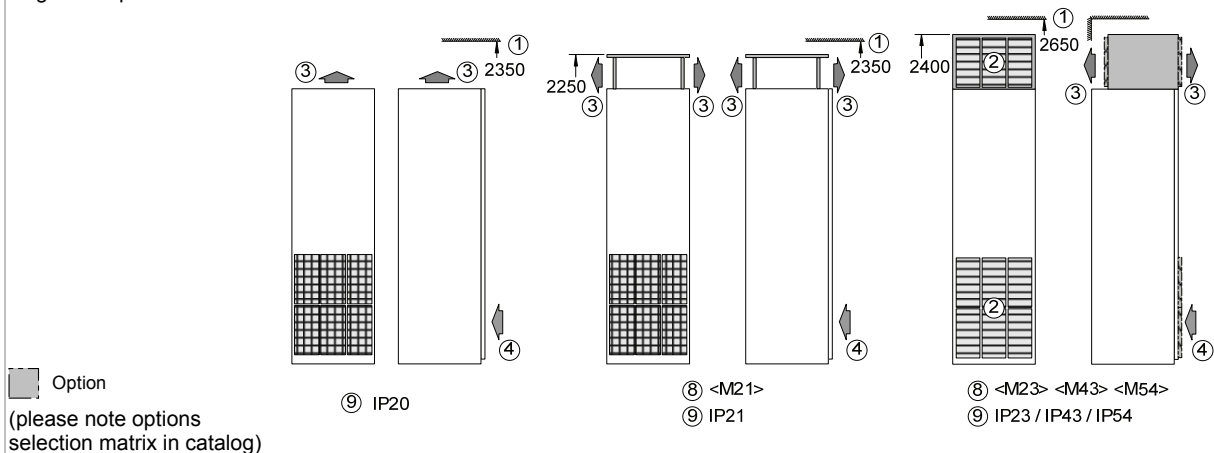
Single circuit

with dv/dt filter plus VPL

Line side connection from below
Motor side connection from below



Degrees of protection:



Legend:

- 1 Minimum ceiling height for wall mounting
- 2 Ventilation grid
- 3 Air outlet area
- 4 Air inlet area
- 5 Cables can enter from below within hatched area
- 6 Main circuit breaker, can be secured by padlock
- 7 Power connection (7a: power supply, 7b: motor)

- 8 Degree of protection option
- 9 Degree of protection IP20
IP21 Option <M21>
IP23 Option <M23>
IP43 Option <M43>
IP54 Option <M54>
- 10 Transport unit
- 11 Line harmonics filter compact, Option <L01>
- 12 dv/dt filter plus VPL, Option <L10>

SINAMICS G150 Drive Converter Cabinet Units

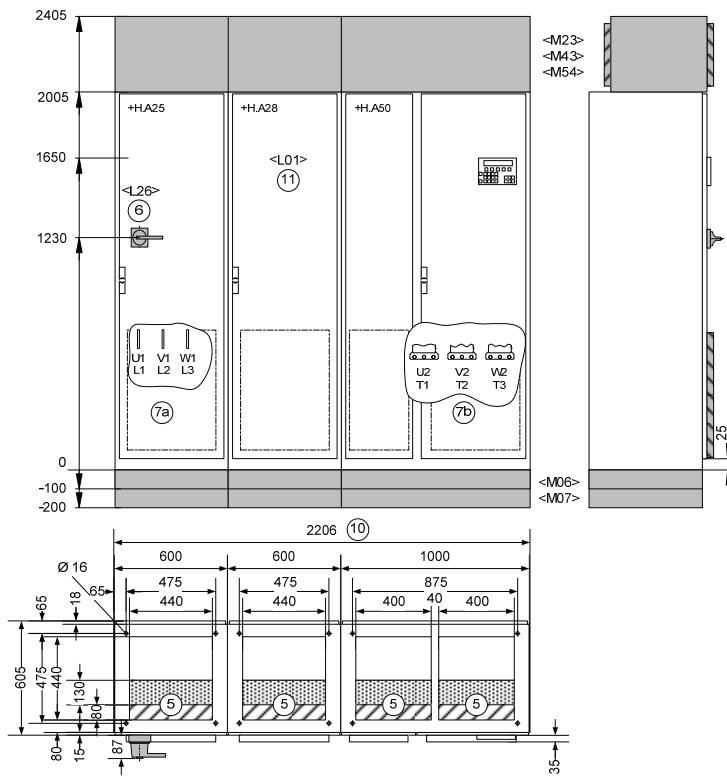
Clean Power

Line voltage 660 - 690 V
Single circuit

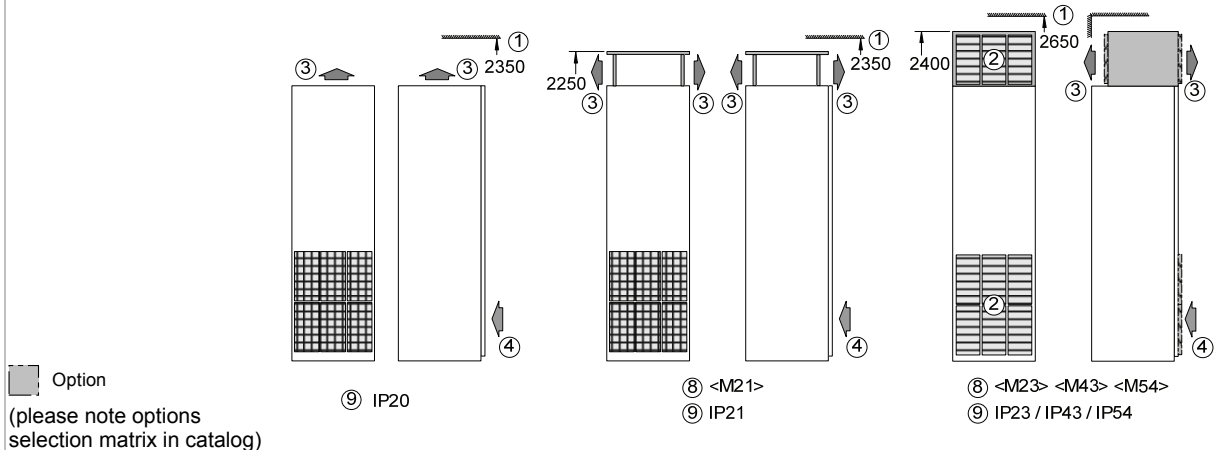
800 kW 810 A

6SL3710-1GH38-1AA3-Z (+L01)

Line side connection from below
Motor side connection from below



Degrees of protection:



Legend:

- 1 Minimum ceiling height for wall mounting
- 2 Ventilation grid
- 3 Air outlet area
- 4 Air inlet area
- 5 Cables can enter from below within hatched area
- 6 Main circuit breaker, can be secured by padlock
- 7 Power connection (7a: power supply, 7b: motor)

- 8 Degree of protection option
- 9 Degree of protection IP20
IP21 Option <M21>
IP23 Option <M23>
IP43 Option <M43>
IP54 Option <M54>
- 10 Transport unit
- 11 Line harmonics filter compact, Option <L01>

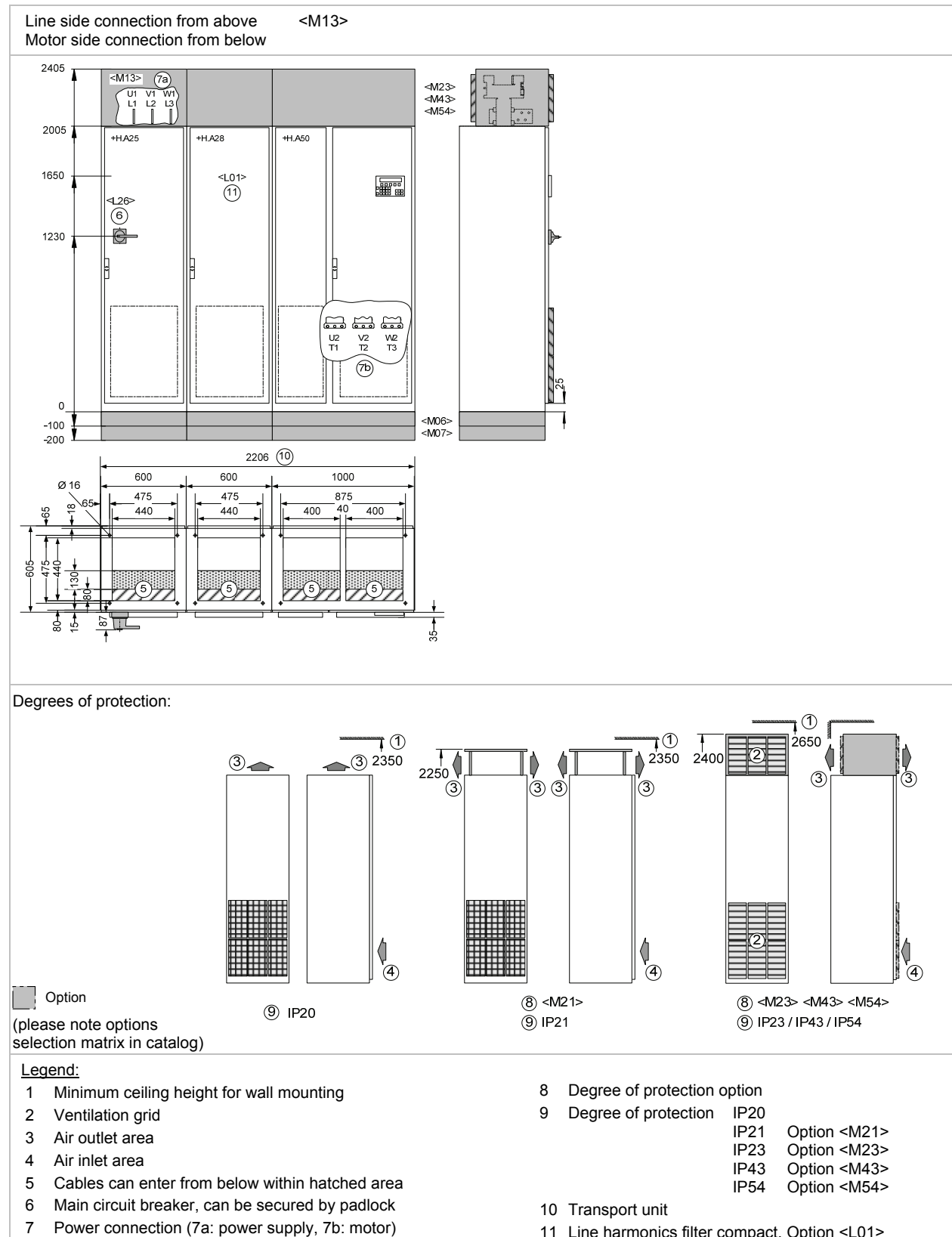
SINAMICS G150 Drive Converter Cabinet Units

Clean Power

Line voltage 660 - 690 V
Single circuit

800 kW 810 A

6SL3710-1GH38-1AA3-Z (+L01)



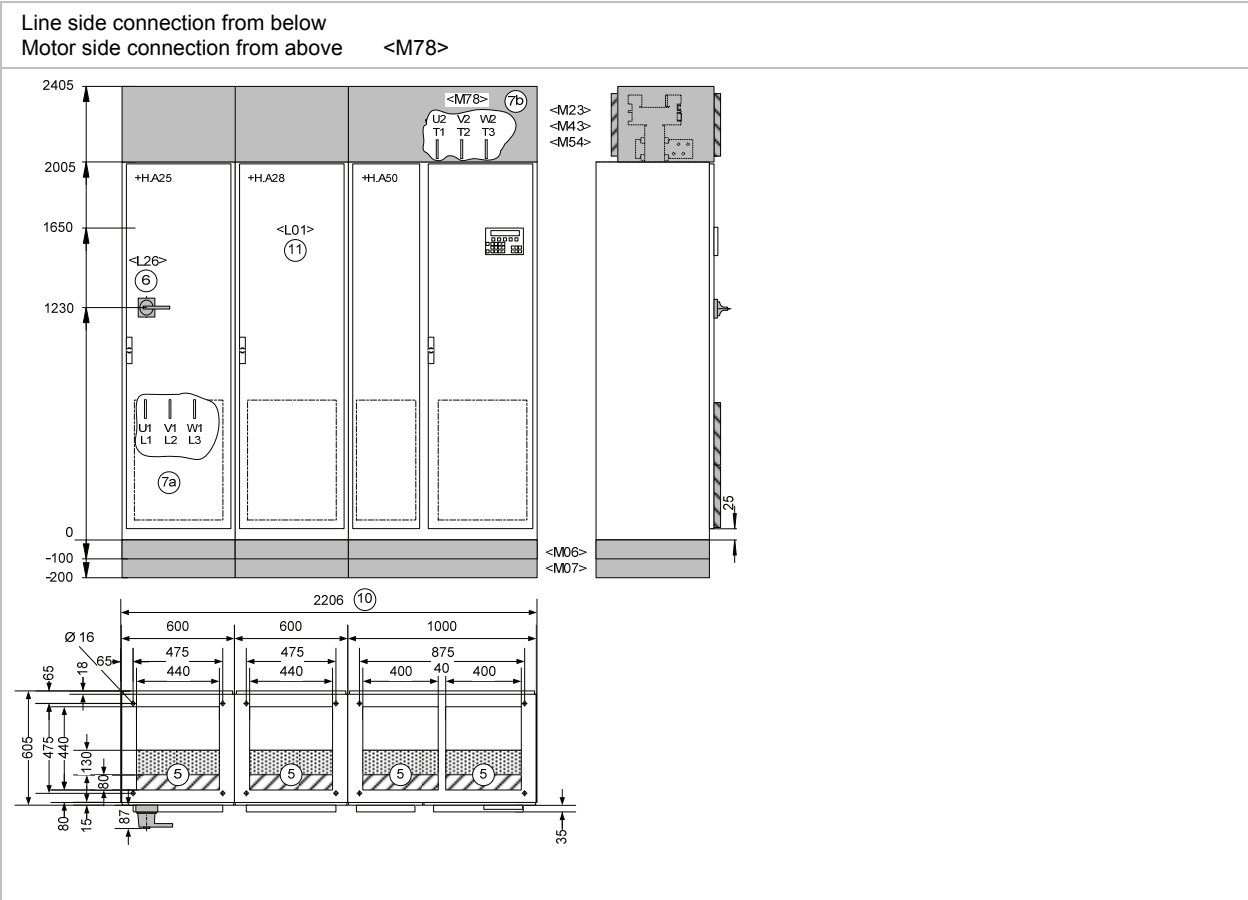
SINAMICS G150 Drive Converter Cabinet Units

Clean Power

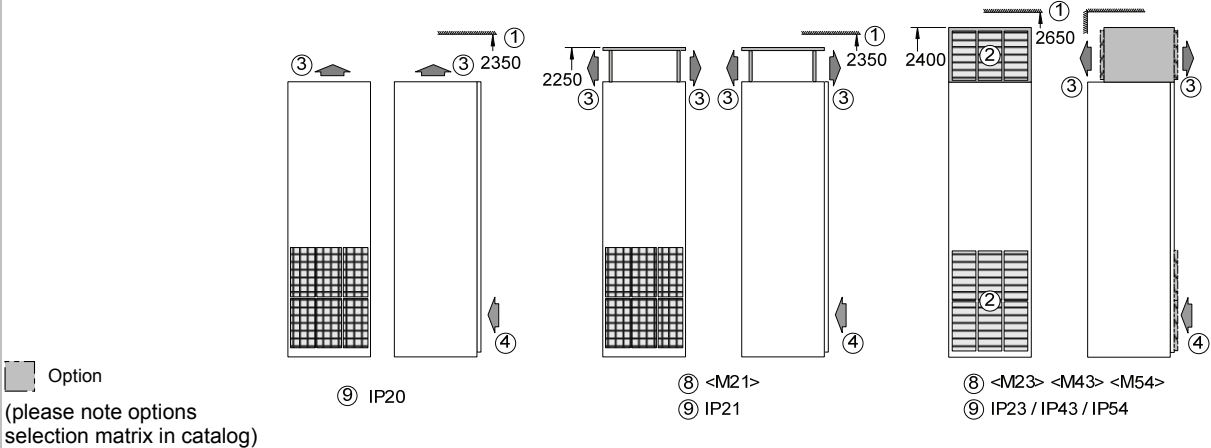
Line voltage 660 - 690 V
Single circuit

800 kW 810 A

6SL3710-1GH38-1AA3-Z (+L01)



Degrees of protection:



Legend:

- 1 Minimum ceiling height for wall mounting
- 2 Ventilation grid
- 3 Air outlet area
- 4 Air inlet area
- 5 Cables can enter from below within hatched area
- 6 Main circuit breaker, can be secured by padlock
- 7 Power connection (7a: power supply, 7b: motor)
- 8 Degree of protection option
- 9 Degree of protection IP20
IP21 Option <M21>
IP23 Option <M23>
IP43 Option <M43>
IP54 Option <M54>
- 10 Transport unit
- 11 Line harmonics filter compact, Option <L01>

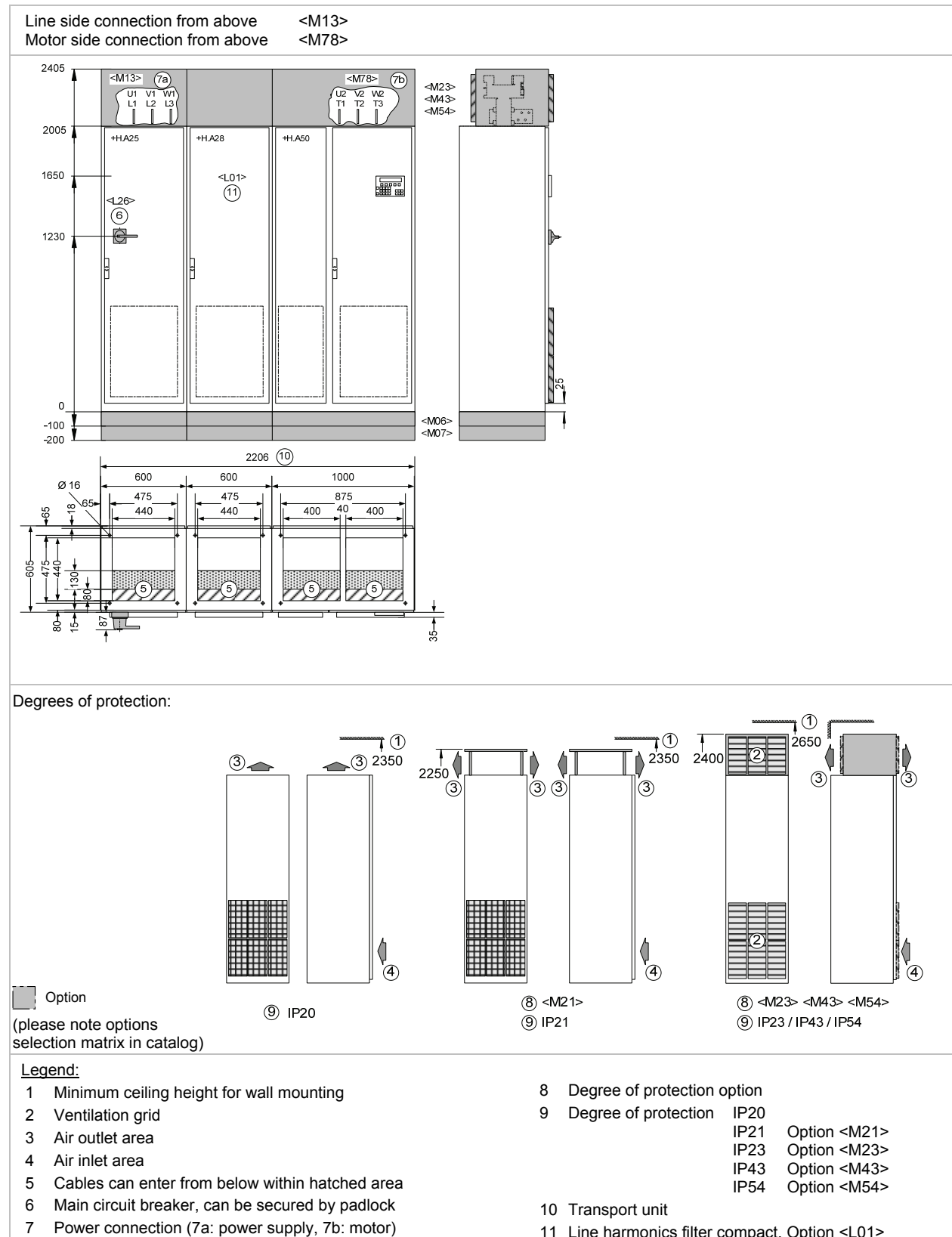
SINAMICS G150 Drive Converter Cabinet Units

Clean Power

Line voltage 660 - 690 V
Single circuit

800 kW 810 A

6SL3710-1GH38-1AA3-Z (+L01)



SINAMICS G150 Drive Converter Cabinet Units

Clean Power

Line voltage 660 - 690 V

800 kW

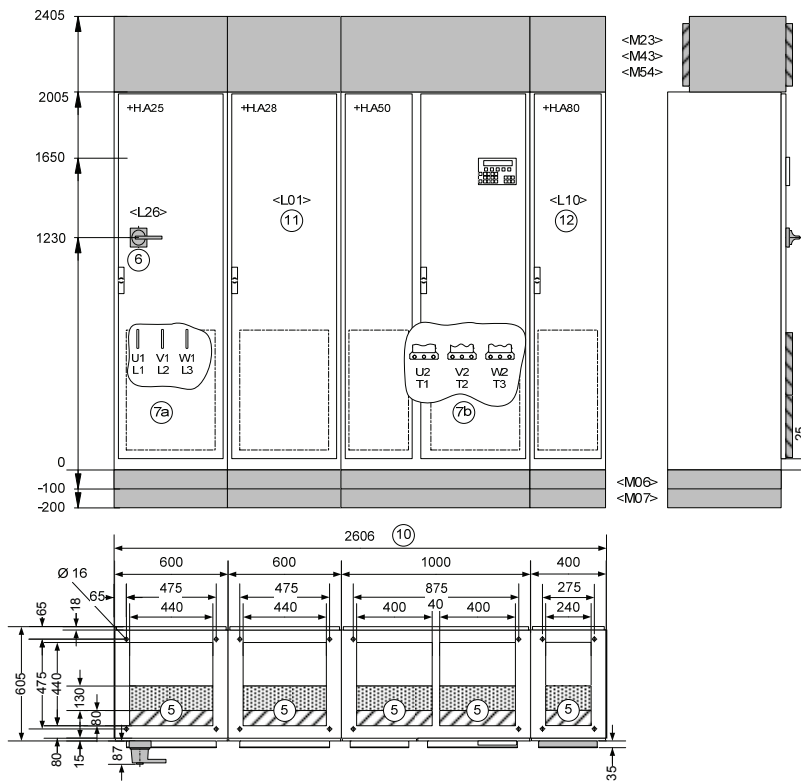
810 A

6SL3710-1GH38-1AA3-Z (+L01+L10)

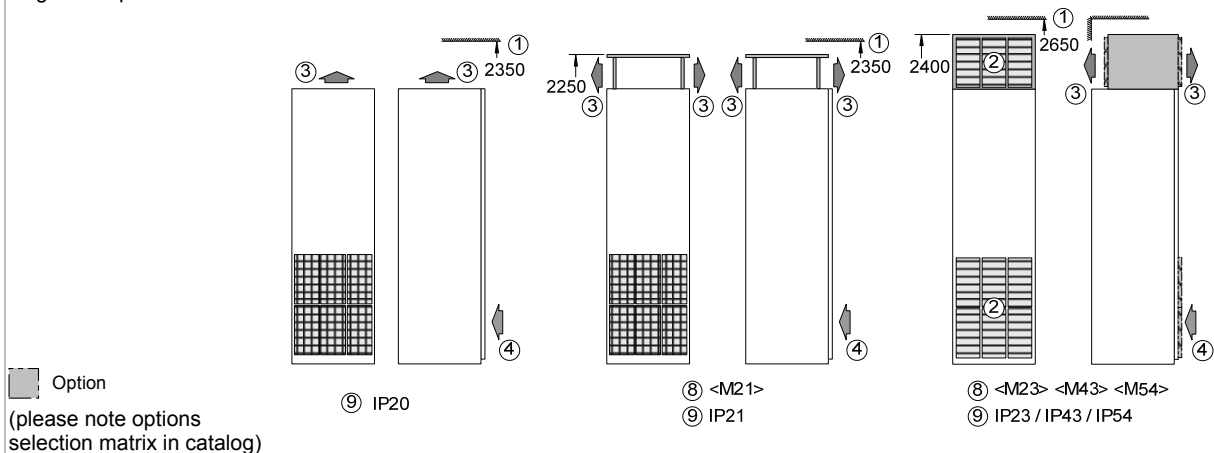
Single circuit

with dv/dt filter plus VPL

Line side connection from below
Motor side connection from below



Degrees of protection:



Legend:

- 1 Minimum ceiling height for wall mounting
- 2 Ventilation grid
- 3 Air outlet area
- 4 Air inlet area
- 5 Cables can enter from below within hatched area
- 6 Main circuit breaker, can be secured by padlock
- 7 Power connection (7a: power supply, 7b: motor)

- 8 Degree of protection option
- 9 Degree of protection IP20
IP21 Option <M21>
IP23 Option <M23>
IP43 Option <M43>
IP54 Option <M54>
- 10 Transport unit
- 11 Line harmonics filter compact, Option <L01>
- 12 dv/dt filter plus VPL, Option <L10>

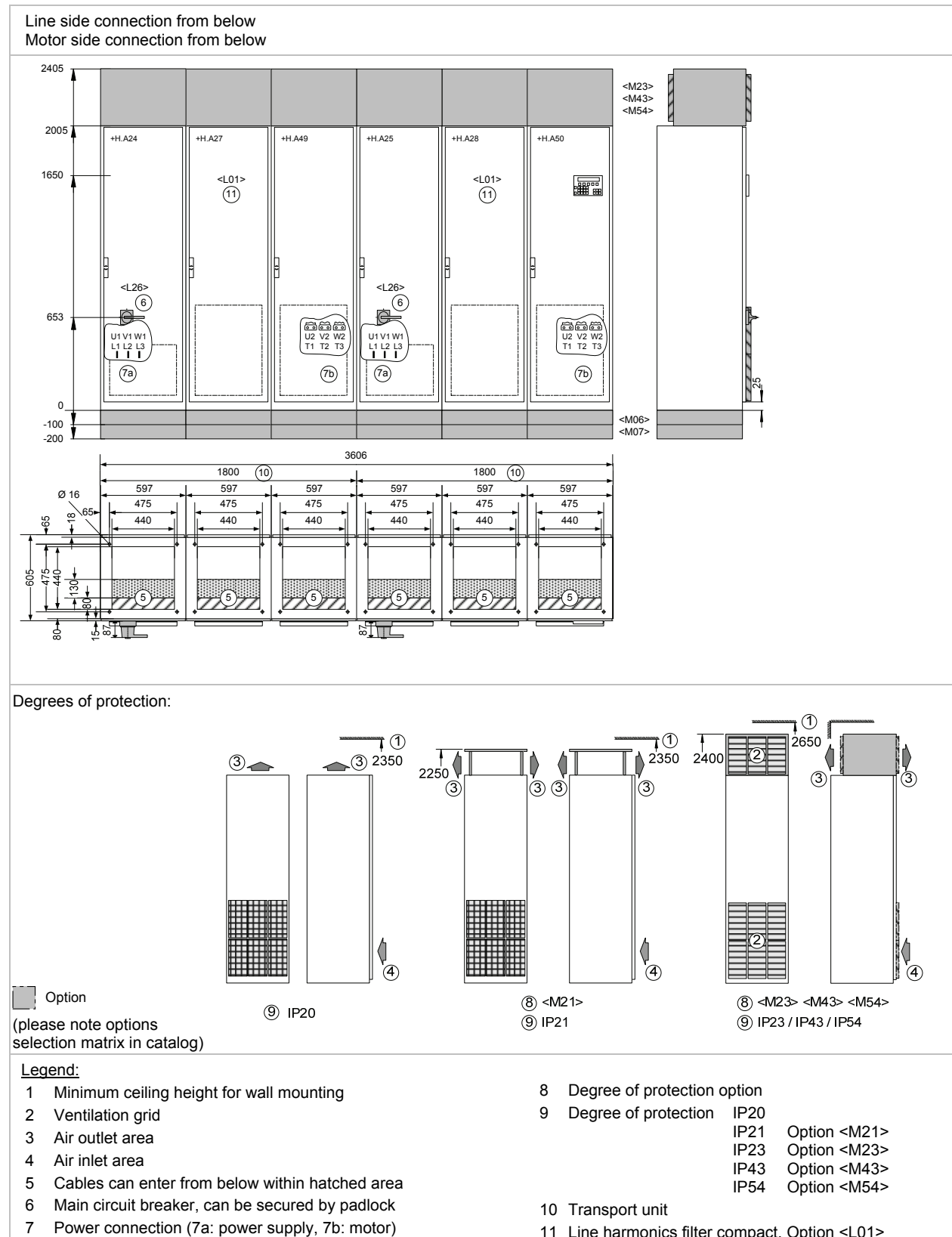
SINAMICS G150 Drive Converter Cabinet Units

Clean Power

Line voltage 660 - 690 V
Parallel circuit

1000 kW 1070 A

6SL3710-2GH41-1AA3-Z (+L01)



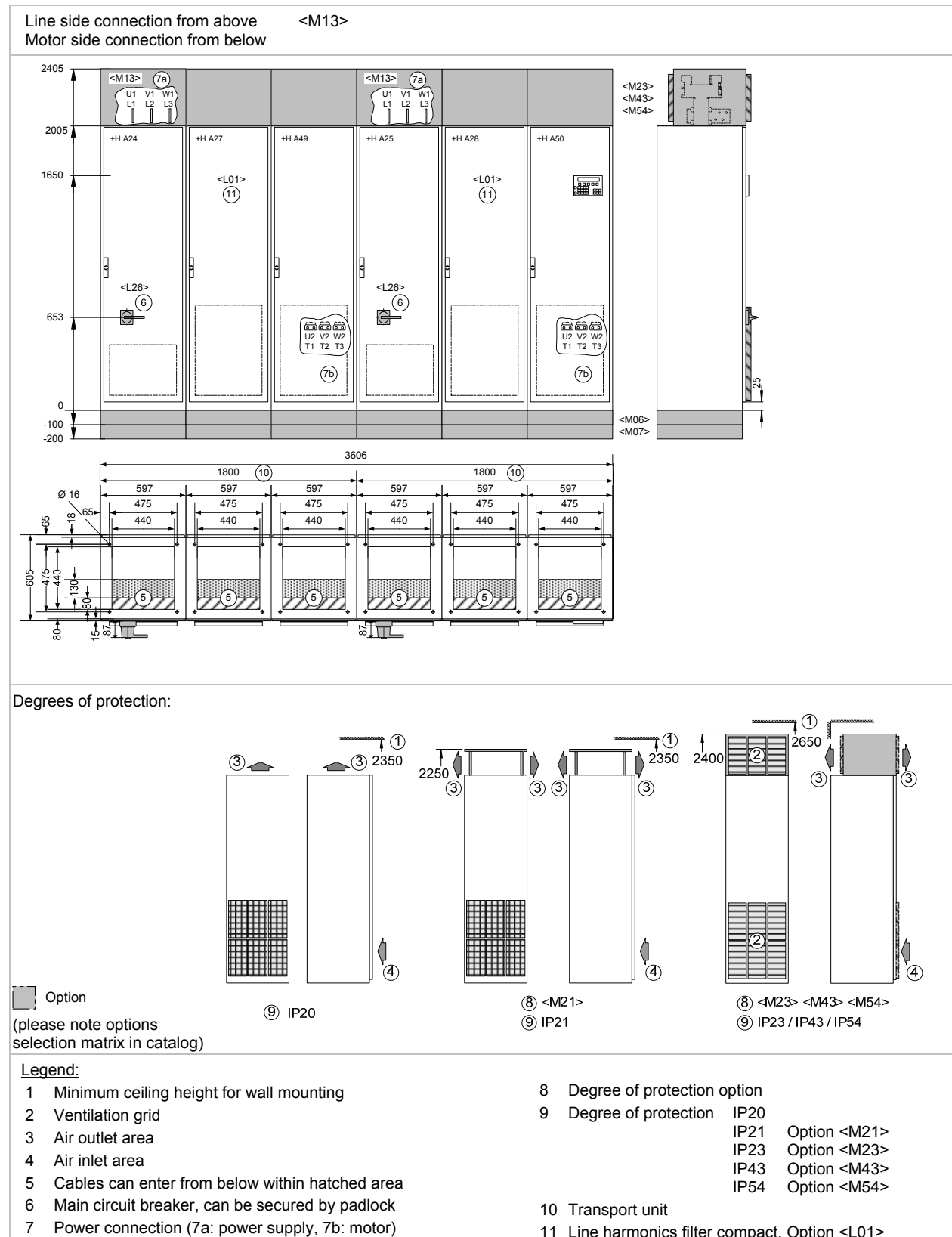
SINAMICS G150 Drive Converter Cabinet Units

Clean Power

Line voltage 660 - 690 V
Parallel circuit

1000 kW 1070 A

6SL3710-2GH41-1AA3-Z (+L01)



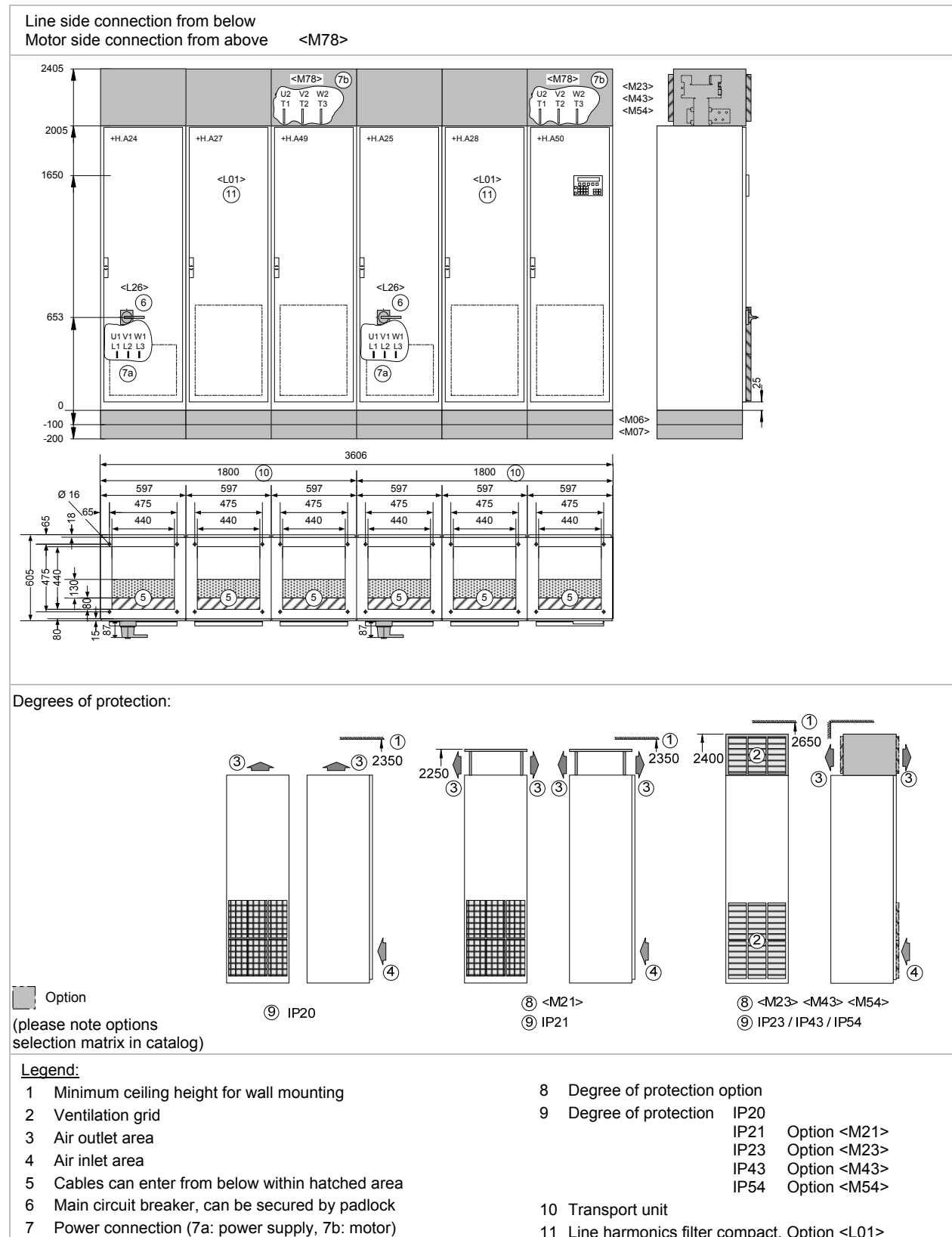
SINAMICS G150 Drive Converter Cabinet Units

Clean Power

Line voltage 660 - 690 V
Parallel circuit

1000 kW 1070 A

6SL3710-2GH41-1AA3-Z (+L01)



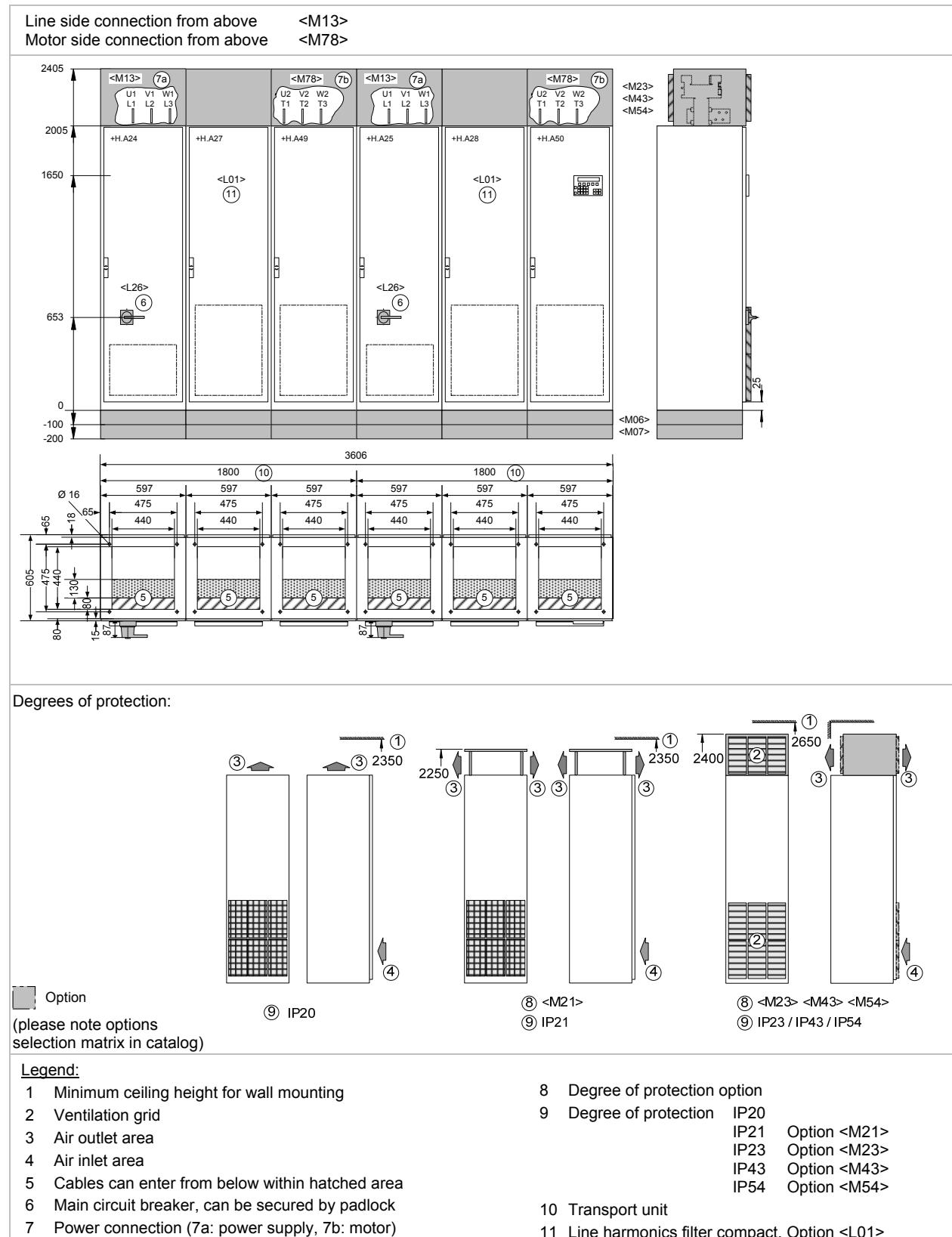
SINAMICS G150 Drive Converter Cabinet Units

Clean Power

Line voltage 660 - 690 V
Parallel circuit

1000 kW 1070 A

6SL3710-2GH41-1AA3-Z (+L01)



SINAMICS G150 Drive Converter Cabinet Units

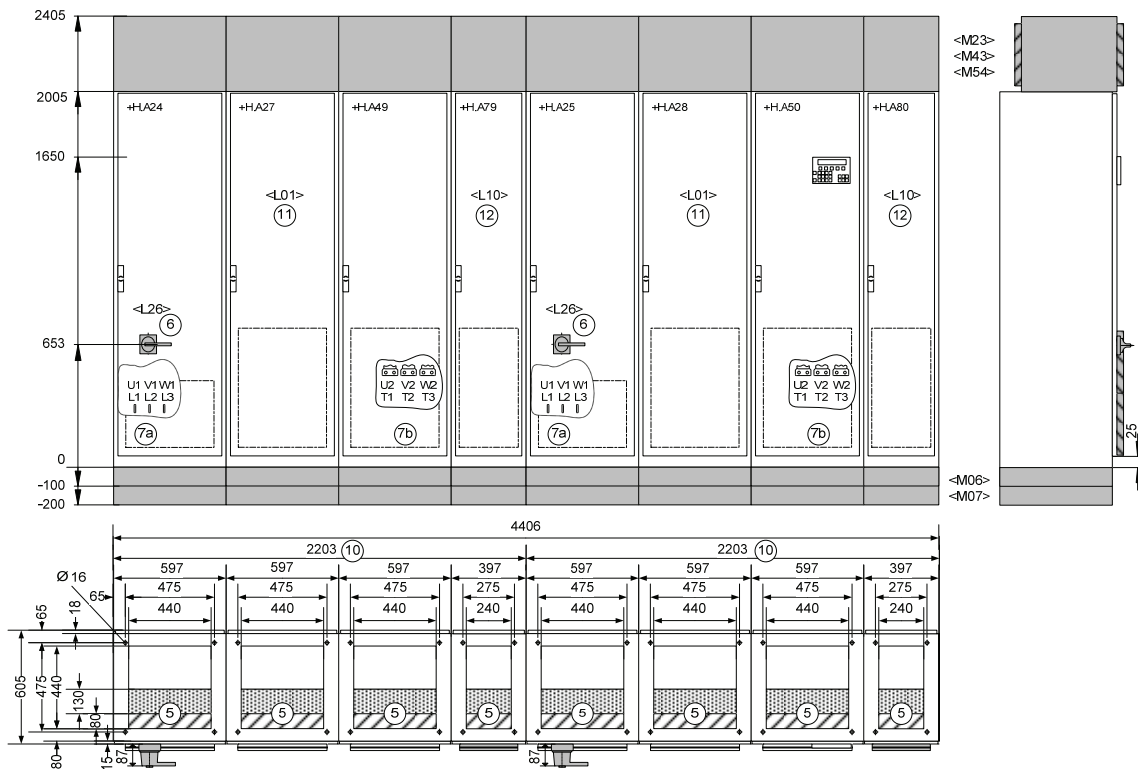
Clean Power

Line voltage 660 - 690 V
Parallel circuit
with dv/dt filter plus VPL

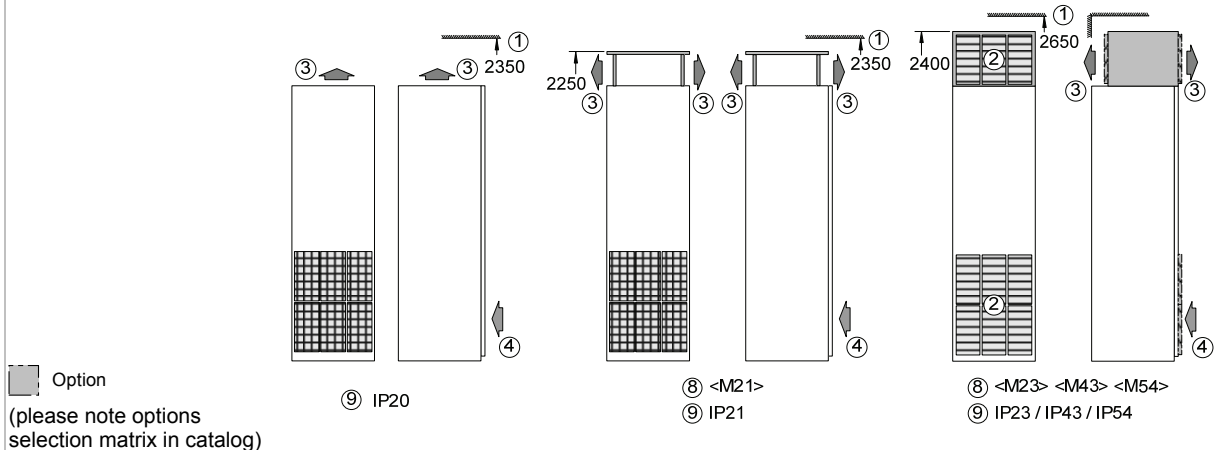
1000 kW 1070 A

6SL3710-2GH41-1AA3-Z (+L01+L10)

Line side connection from below
Motor side connection from below



Degrees of protection:



Legend:

- | | |
|---|--|
| 1 Minimum ceiling height for wall mounting | 8 Degree of protection option |
| 2 Ventilation grid | 9 Degree of protection IP20 |
| 3 Air outlet area | IP21 Option <M21> |
| 4 Air inlet area | IP23 Option <M23> |
| 5 Cables can enter from below within hatched area | IP43 Option <M43> |
| 6 Main circuit breaker, can be secured by padlock | IP54 Option <M54> |
| 7 Power connection (7a: power supply, 7b: motor) | 10 Transport unit |
| | 11 Line harmonics filter compact, Option <L01> |
| | 12 dv/dt filter plus VPL, Option <L10> |

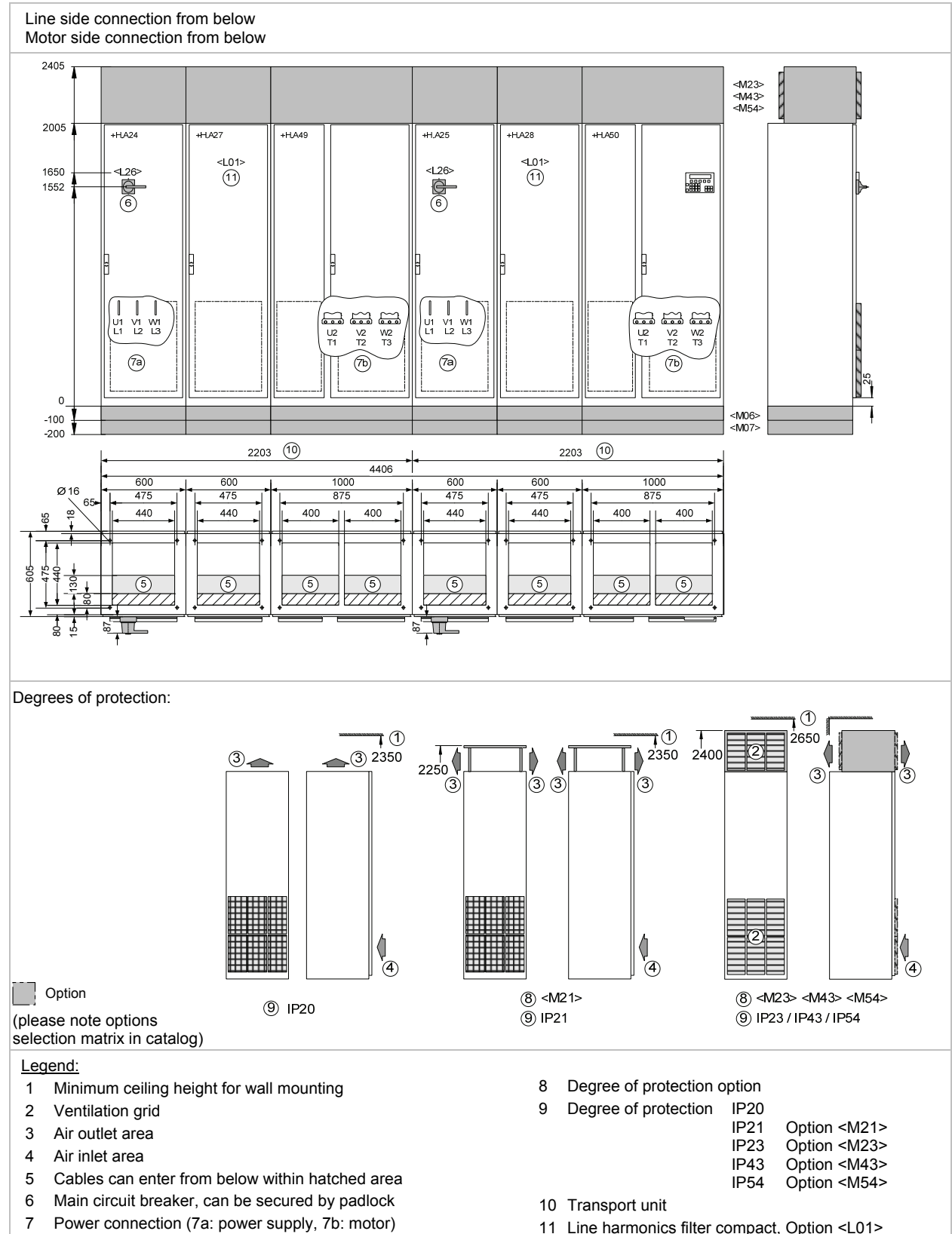
SINAMICS G150 Drive Converter Cabinet Units

Clean Power

Line voltage 660 - 690 V
Parallel circuit

1350 kW 1360 A

6SL3710-2GH41-4AA3-Z (+L01)



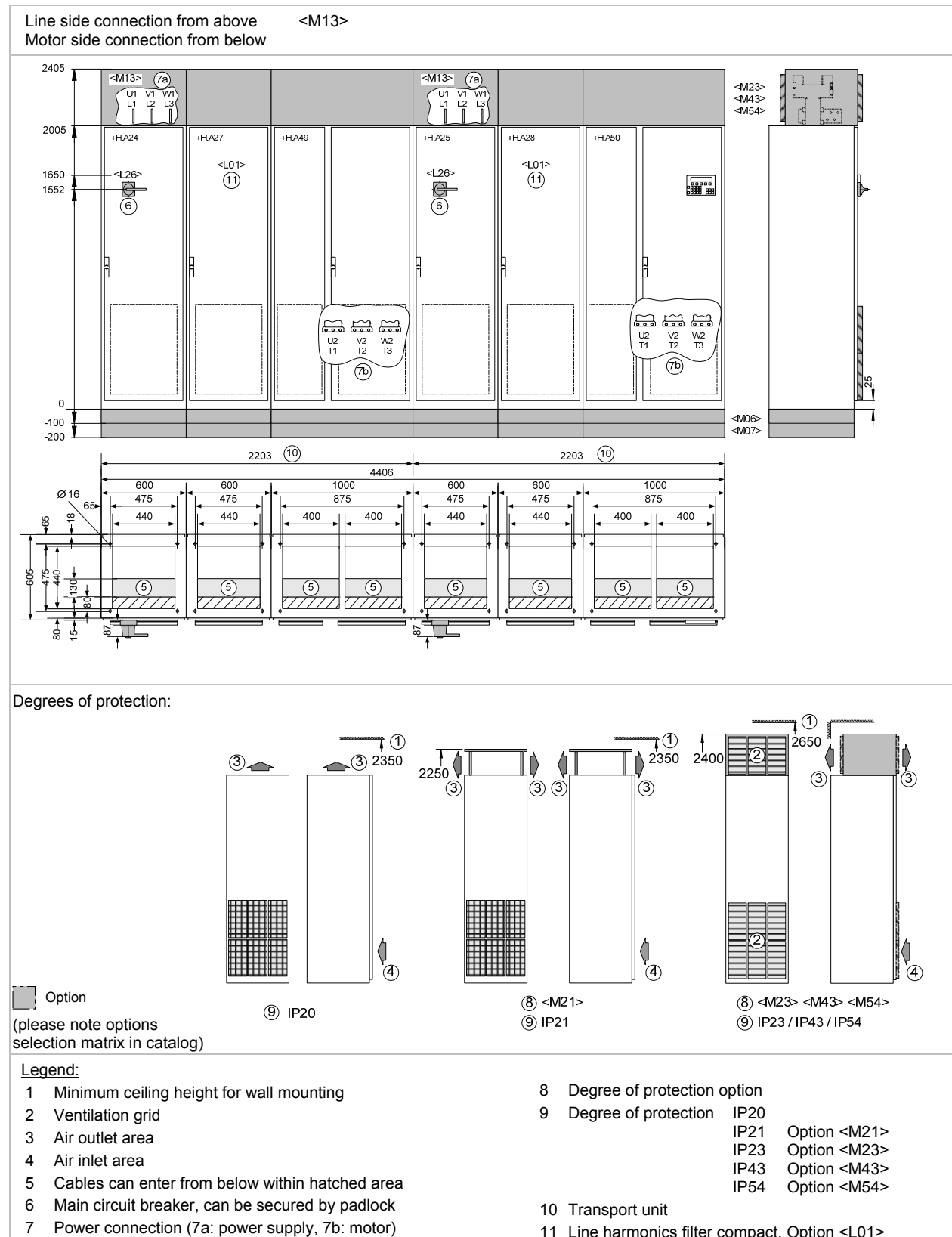
SINAMICS G150 Drive Converter Cabinet Units

Clean Power

Line voltage 660 - 690 V
Parallel circuit

1350 kW 1360 A

6SL3710-2GH41-4AA3-Z (+L01)



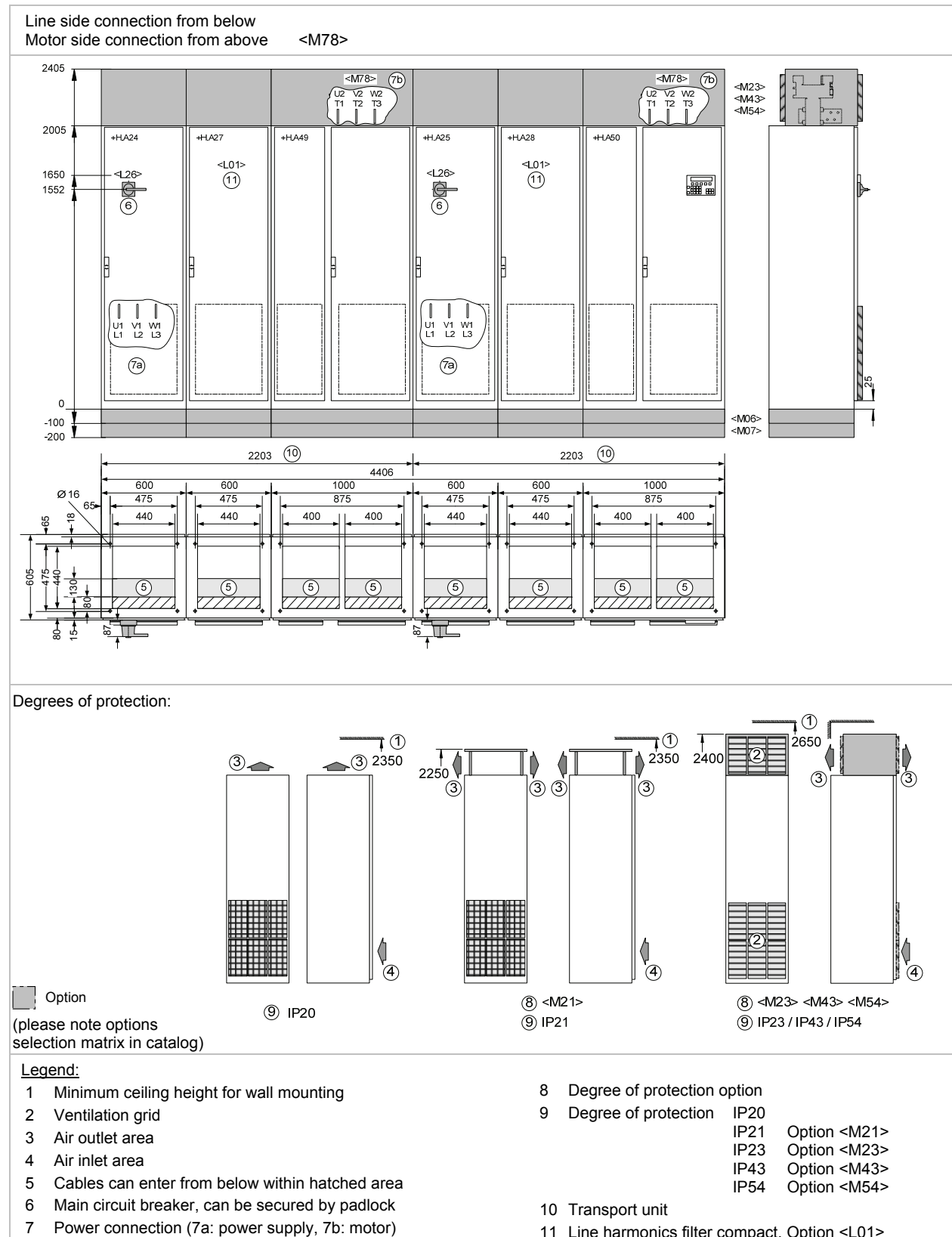
SINAMICS G150 Drive Converter Cabinet Units

Clean Power

Line voltage 660 - 690 V
Parallel circuit

1350 kW 1360 A

6SL3710-2GH41-4AA3-Z (+L01)



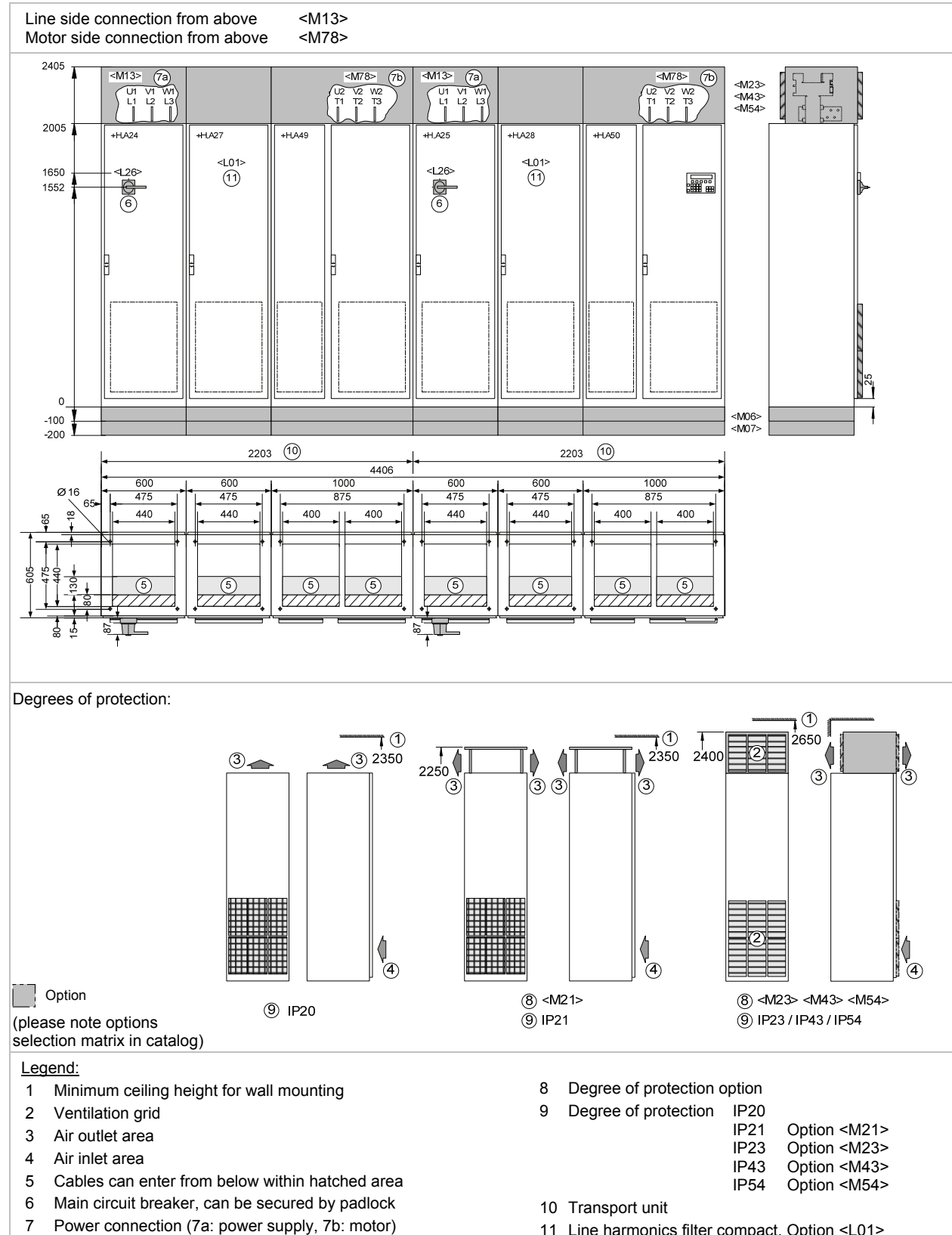
SINAMICS G150 Drive Converter Cabinet Units

Clean Power

Line voltage 660 - 690 V
Parallel circuit

1350 kW 1360 A

6SL3710-2GH41-4AA3-Z (+L01)



SINAMICS G150 Drive Converter Cabinet Units

Clean Power

Line voltage 660 - 690 V

1350 kW

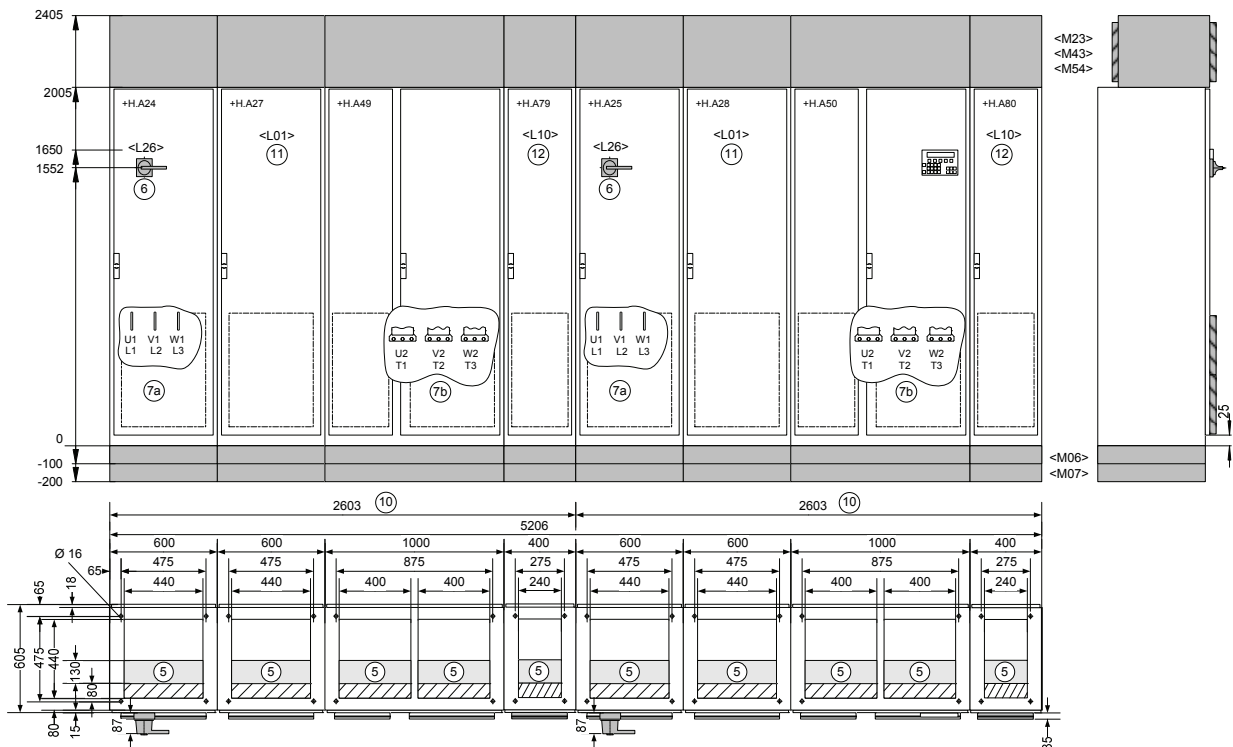
1360 A

6SL3710-2GH41-4AA3-Z (+L01+L10)

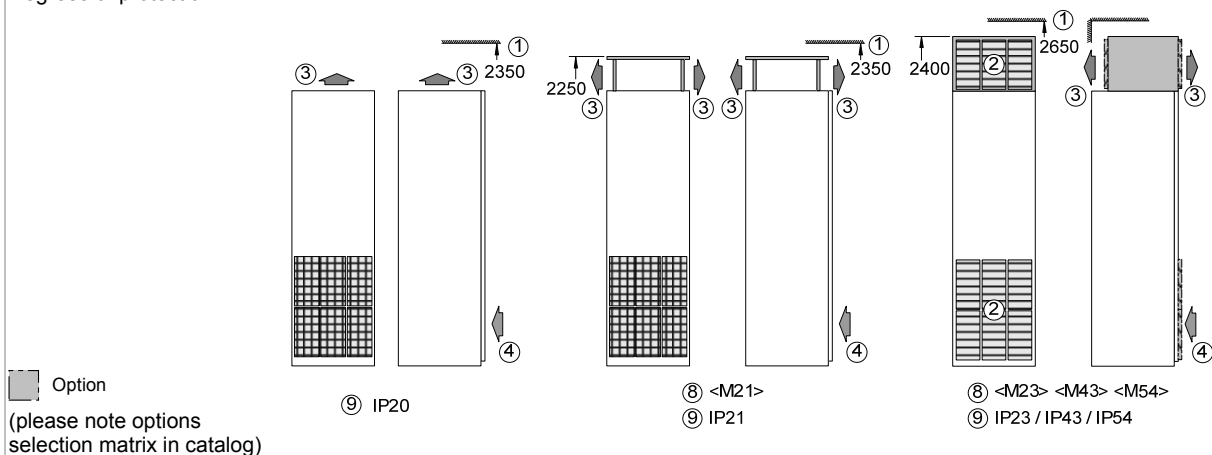
Parallel circuit

with dv/dt filter plus VPL

Line side connection from below
Motor side connection from below



Degrees of protection:



Legend:

- 1 Minimum ceiling height for wall mounting
- 2 Ventilation grid
- 3 Air outlet area
- 4 Air inlet area
- 5 Cables can enter from below within hatched area
- 6 Main circuit breaker, can be secured by padlock
- 7 Power connection (7a: power supply, 7b: motor)

- 8 Degree of protection option
- 9 Degree of protection IP20
IP21 Option <M21>
IP23 Option <M23>
IP43 Option <M43>
IP54 Option <M54>
- 10 Transport unit
- 11 Line harmonics filter compact, Option <L01>
- 12 dv/dt filter plus VPL, Option <L10>

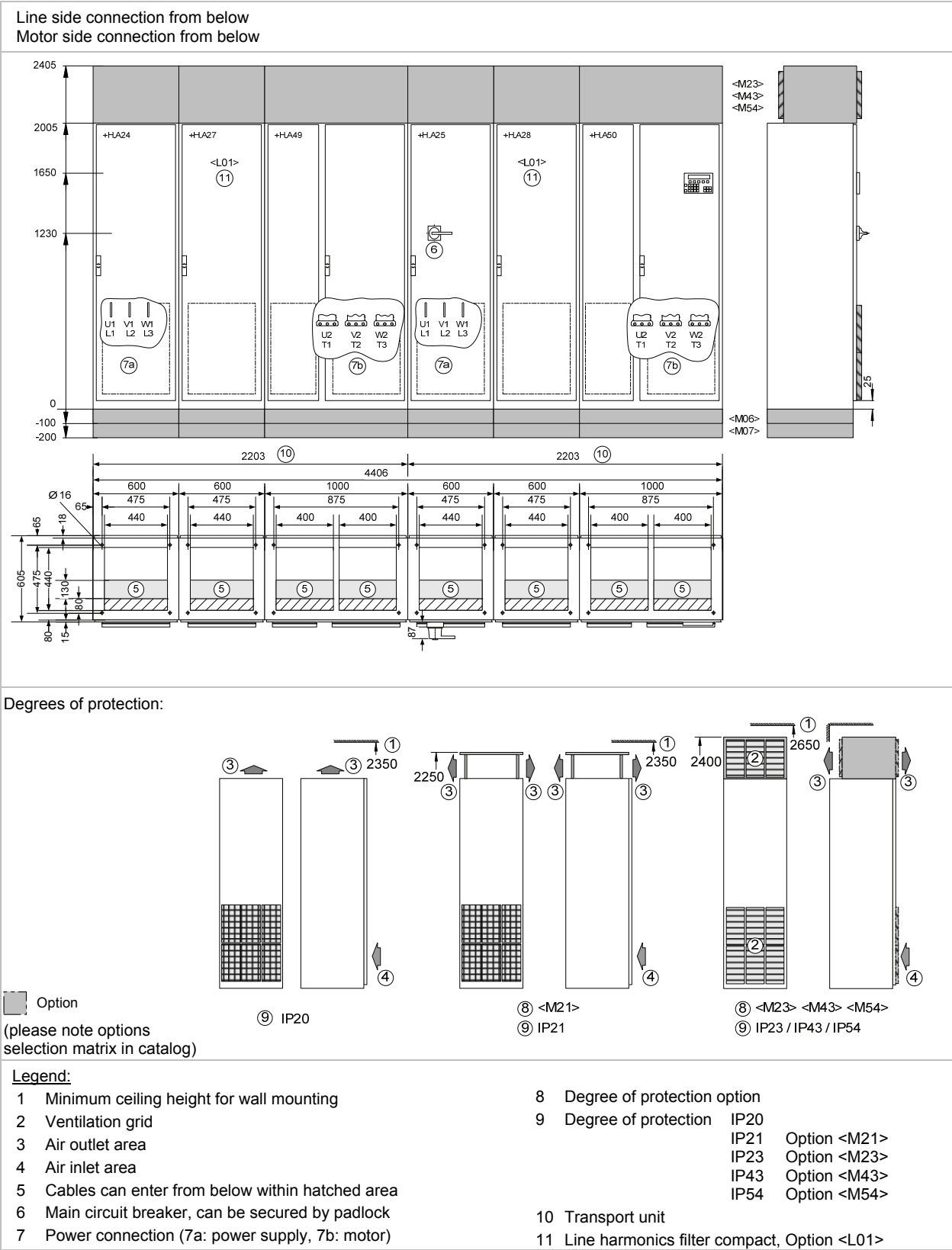
SINAMICS G150 Drive Converter Cabinet Units

Clean Power

Line voltage 660 - 690 V
Parallel circuit

1500 kW 1500 A

6SL3710-2GH41-5AA3-Z (+L01)



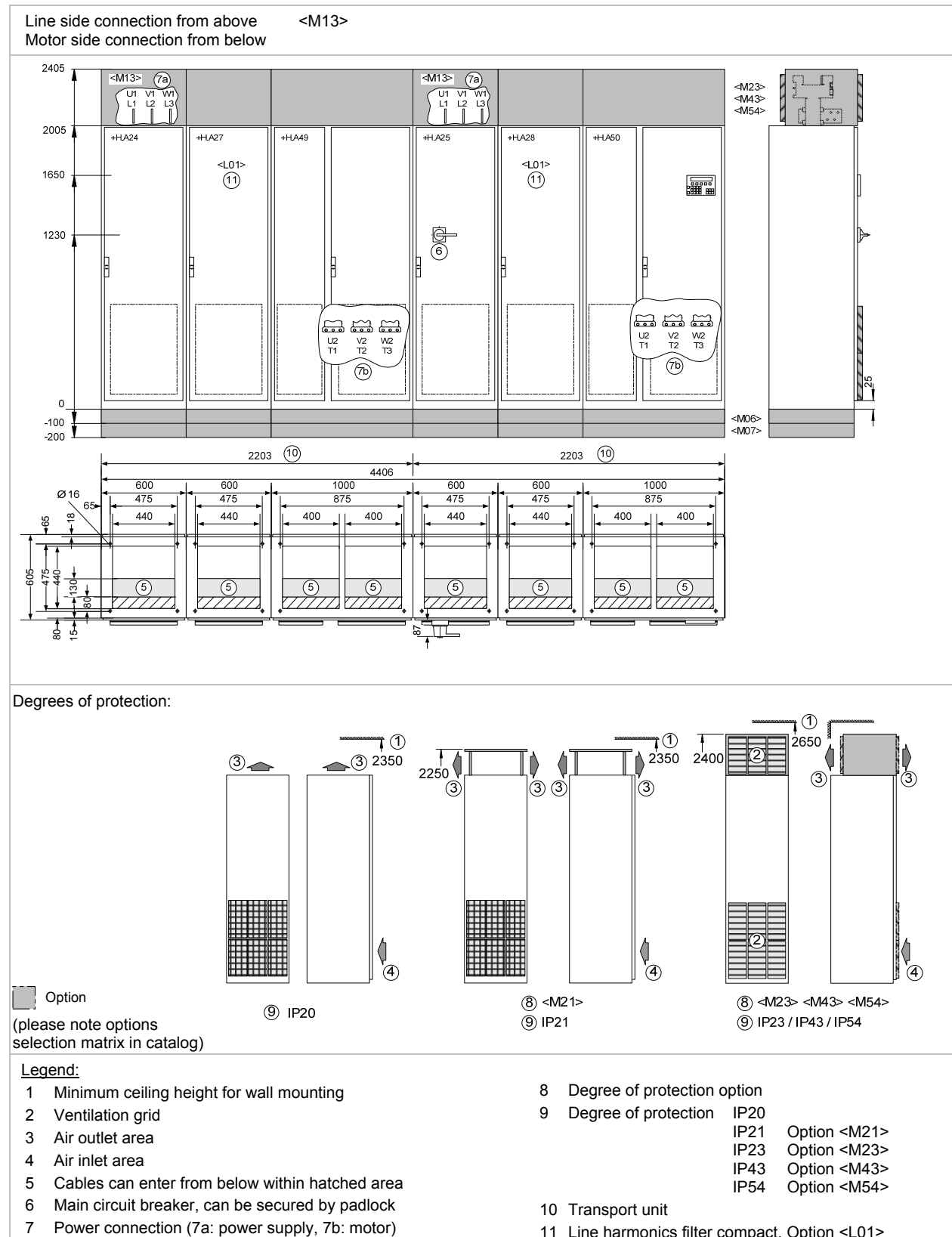
SINAMICS G150 Drive Converter Cabinet Units

Clean Power

Line voltage 660 - 690 V
Parallel circuit

1500 kW 1500 A

6SL3710-2GH41-5AA3-Z (+L01)



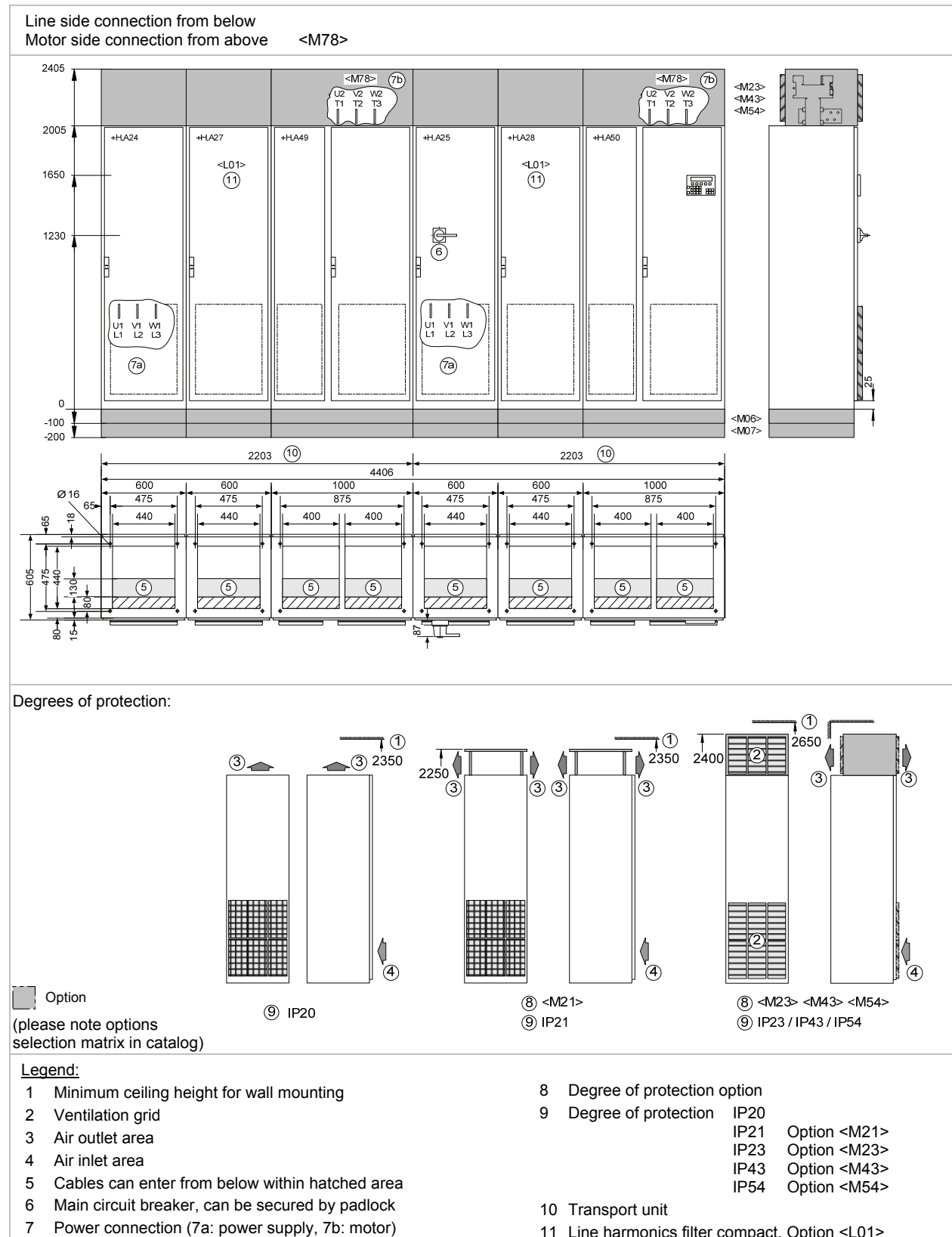
SINAMICS G150 Drive Converter Cabinet Units

Clean Power

Line voltage 660 - 690 V
Parallel circuit

1500 kW 1500 A

6SL3710-2GH41-5AA3-Z (+L01)



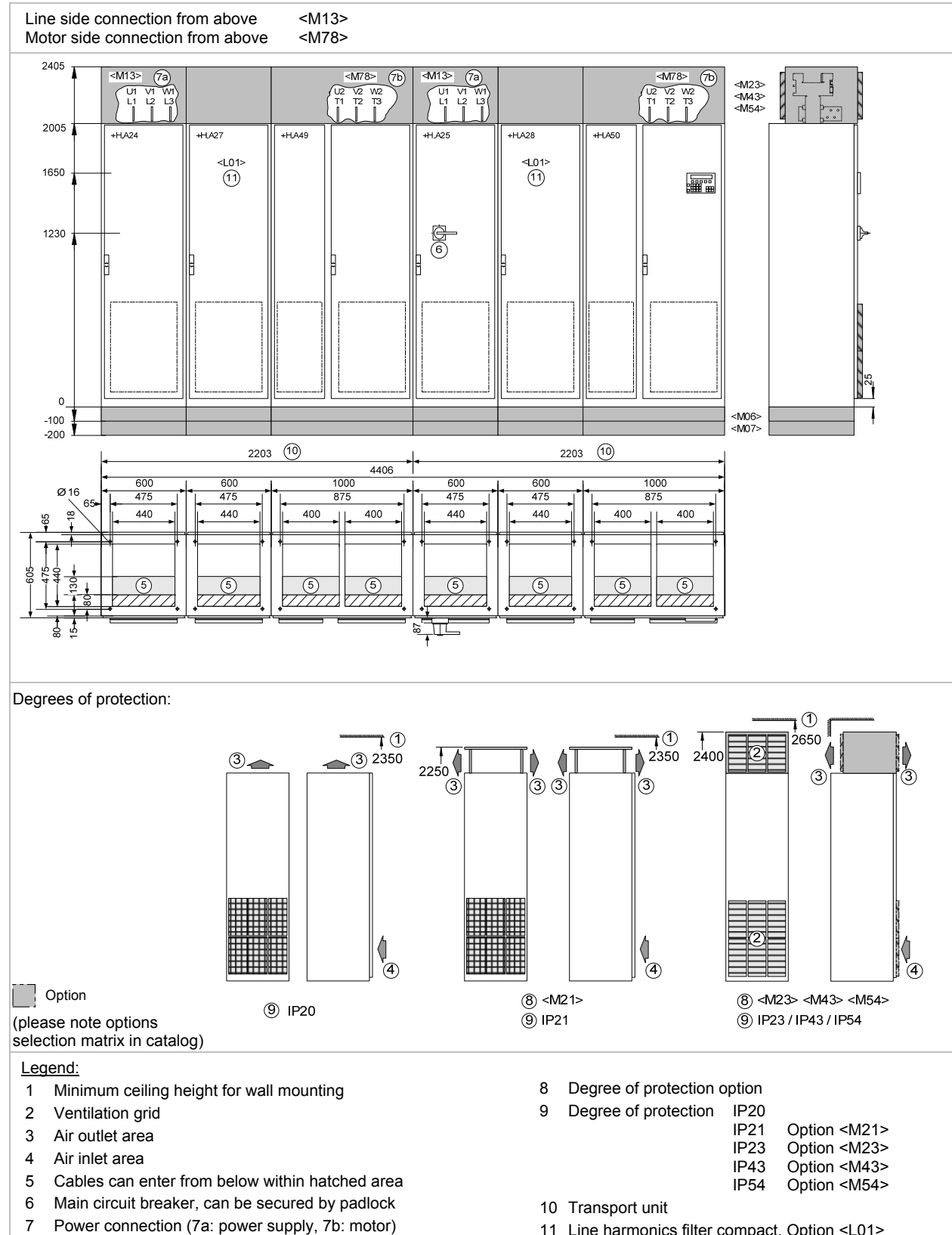
SINAMICS G150 Drive Converter Cabinet Units

Clean Power

Line voltage 660 - 690 V
Parallel circuit

1500 kW 1500 A

6SL3710-2GH41-5AA3-Z (+L01)



SINAMICS G150 Drive Converter Cabinet Units

Clean Power

Line voltage 660 - 690 V

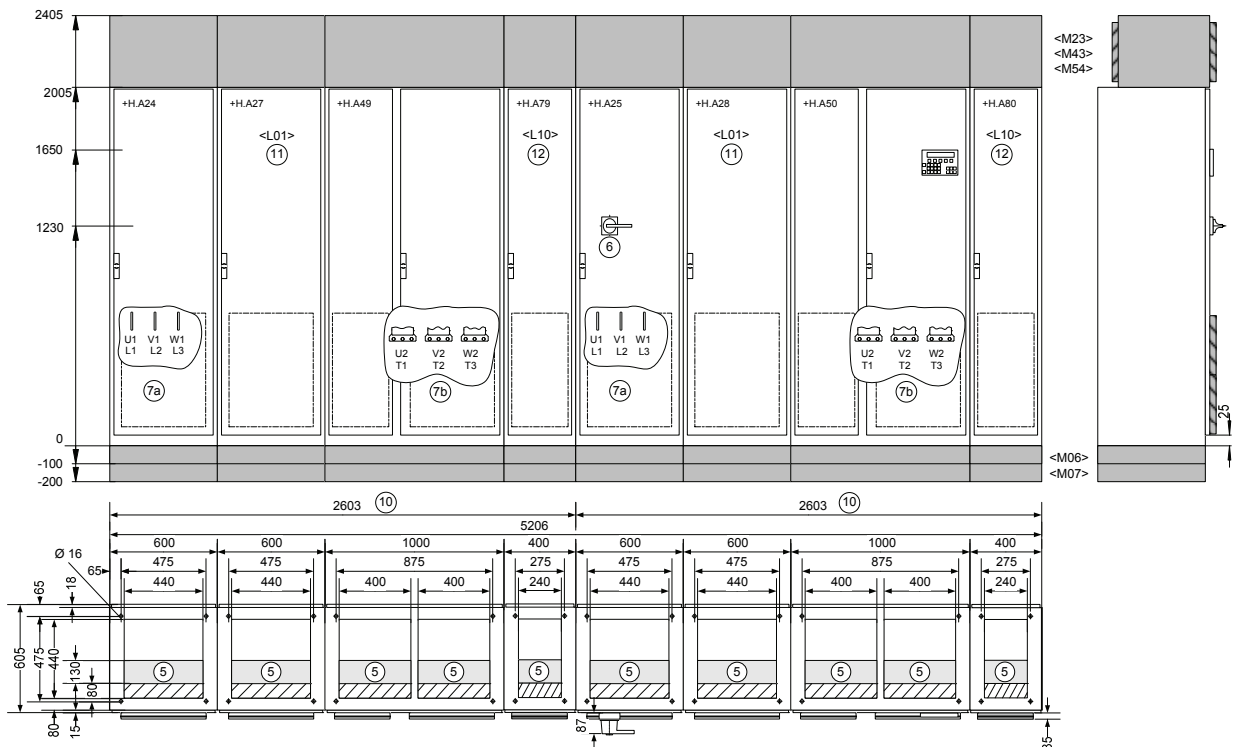
1500 kW 1500 A

6SL3710-2GH41-5AA3-Z (+L01+L10)

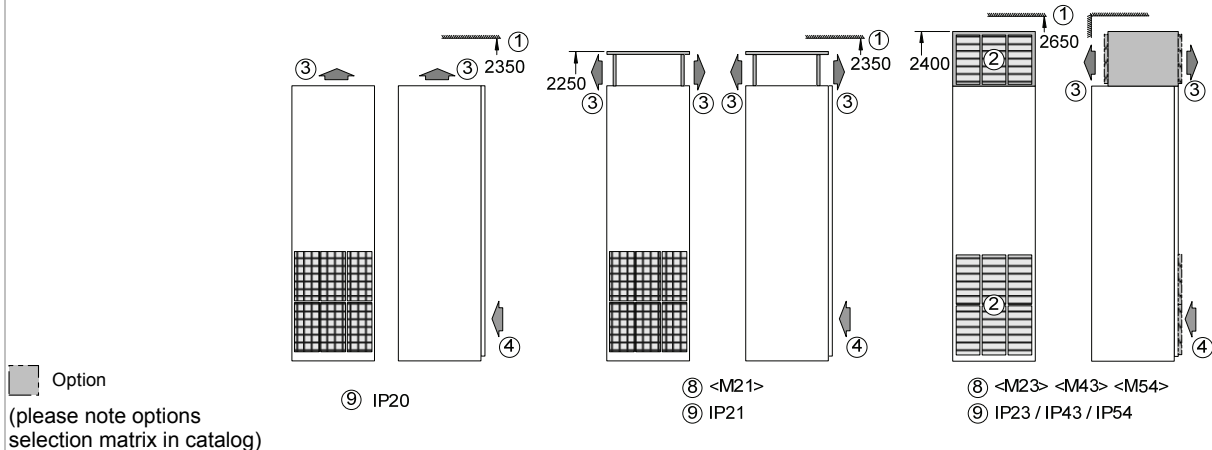
Parallel circuit

with dv/dt filter plus VPL

Line side connection from below
Motor side connection from below



Degrees of protection:



Legend:

- 1 Minimum ceiling height for wall mounting
- 2 Ventilation grid
- 3 Air outlet area
- 4 Air inlet area
- 5 Cables can enter from below within hatched area
- 6 Main circuit breaker, can be secured by padlock
- 7 Power connection (7a: power supply, 7b: motor)

- 8 Degree of protection option
- 9 Degree of protection IP20
- IP21 Option <M21>
- IP23 Option <M23>
- IP43 Option <M43>
- IP54 Option <M54>
- 10 Transport unit
- 11 Line harmonics filter compact, Option <L01>
- 12 dv/dt filter plus VPL, Option <L10>