



Low Voltage Switches

Switches and fusegear Motorized switch-disconnectors OTM and switch fuses OSM

Motorized switches

OTM 160...2500, OSM 32...1250

Contents

4	Product overview
6	Features
8	Technical data
16	Ordering information
16	Motorized switch-disconnectors OTM
17	Motorized switch fuses OSM
19	Ordering information, accessories
19	Selection overview
20	Auxiliary contacts
21	Terminal shrouds
22	Connecting accessories
24	Handle and spare fuse storage, neutral links
25	Blown fuse indicators
26	Dimension drawings, motorized switch-disconnectors, OTM
29	Dimension drawings, motorized switch fuses, OSM
33	Index

Motorized switch-disconnectors and switch fuses for remote control

Motorized switch-disconnectors OTM



Standard phase distance	OTM160E	OTM315E
	OTM200E	OTM400E
	OTM250E	
Wide phase distance	OTM160E_W	
	OTM200E_W	
	OTM250E_W	
OTM		
Switch size [A]	160 200 250	315 400

Motorized switch fuses OSM



DIN	OSM32GD	OSM125GD
	OSM63GD	OSM160GD
BS	OSM32GB	OSM100GB
	OSM63GB	OSM125GB
		OSM160GB
NFC	OSM50GF	OSM125GF
OSM		
Switch size [A]	32 50 63	100 125 160

Accessories

Auxiliary contacts

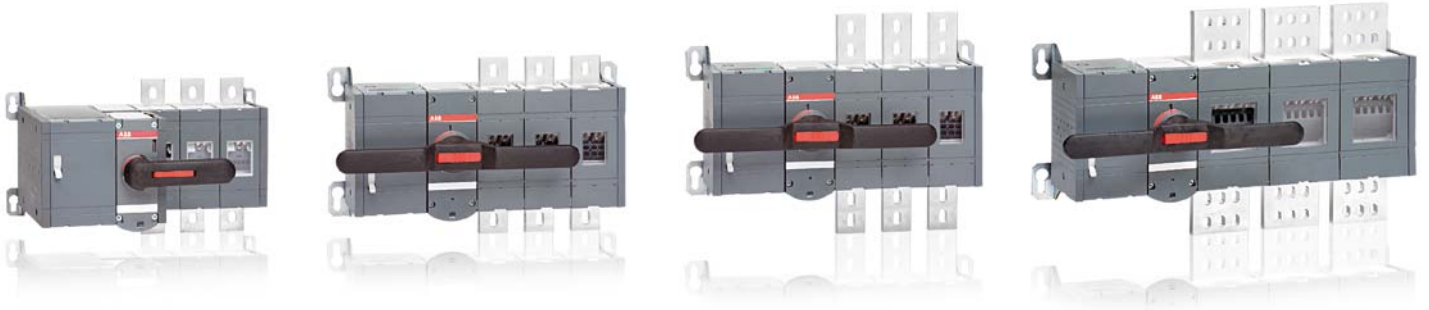
Terminal shrouds

Connecting accessories

Neutral links

Blown fuse indicators

Storage for handle and fuses



OTM630E

OTM1000E

OTM1600E

OTM2000E

OTM800E

OTM1250E

OTM2500E

630 800

1000 1250

1600

2000 2500



OSM200D

OSM400D

OSM630D

OSM1250D

OSM250D

OSM800D

OSM200B

OSM315B

OSM630B

OSM1250B

OSM250B

OSM400B

OSM800B

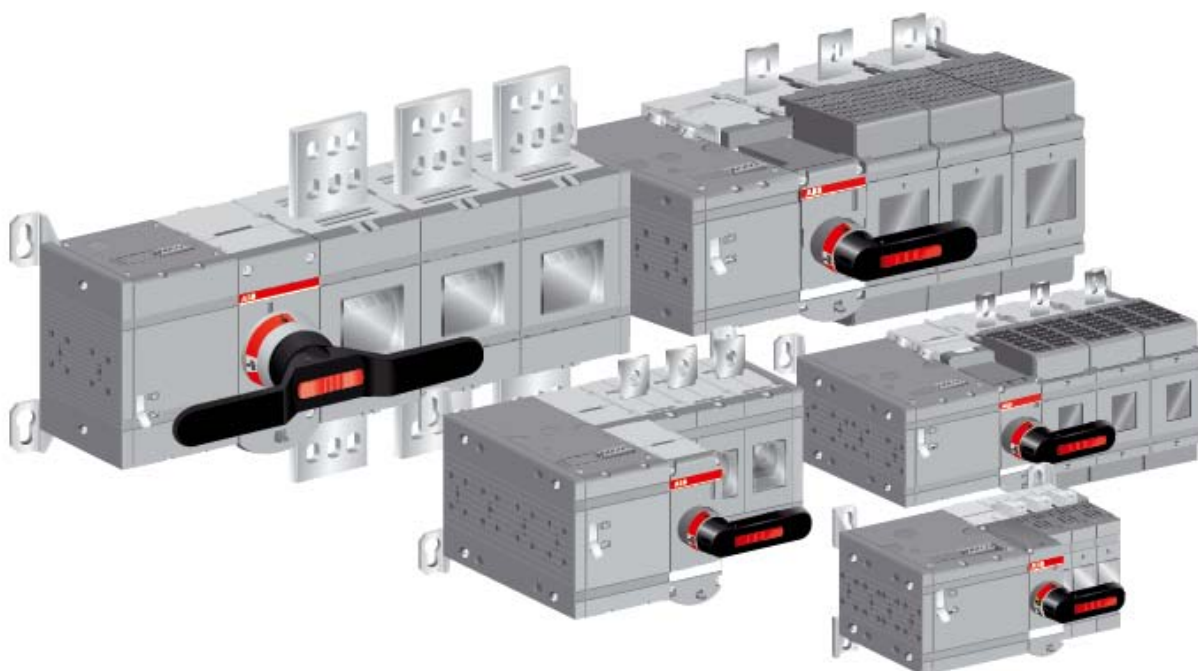
200 250

315 400

630 800

1250

Motorized switch-disconnectors and switch fuses for remote control



Motorized switch-disconnectors consist of a switch-disconnector (type OT) and a motor operator. The OTM range is for 160...2500 Amperes. Motorized switch fuses consist of a switch fuse (type OS) and a motor operator. The motorized switch fuses are available for DIN, BS and NFC types of fuse links. The OSM range is for 32...1250 Amperes.

Designed for safety

The motorized switch-disconnectors OTM and switch fuses OSM ensure safe operation, protecting both people and equipment.

Designed and based on substantial experience of electrical safety, the switches eliminate the risk of electrical accidents:

- In OSM motorized switch fuses the fuse covers cannot be opened while the switch fuse is in the ON-position and can be sealed in the closed position. The fuse holders are equipped with voltage output pins as standard.
 - In the motorized switch-disconnectors OTM and switch fuses OSM the frames are made of robust plastic with excellent mechanical and thermal properties.
 - Pole markings as standard.
- Inbuilt safety – eliminating the risk for accidents

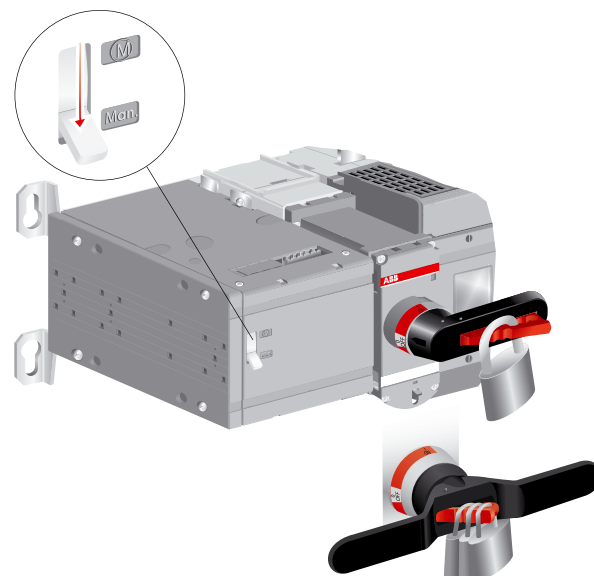
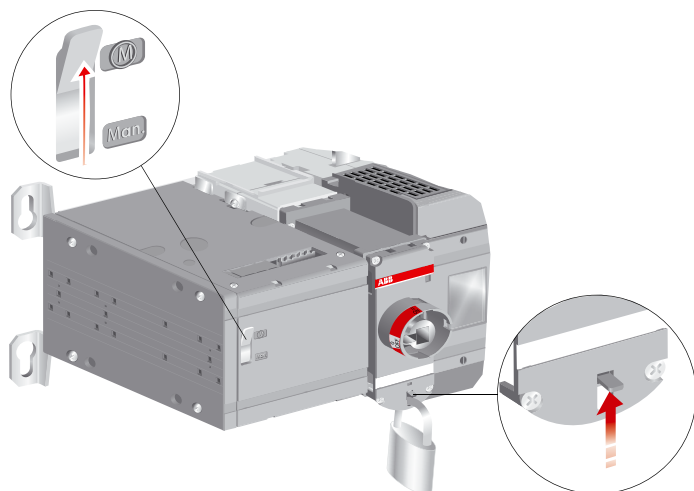


ABB offers a full range of motorized switch-disconnectors and switch fuses. Motorized switch-disconnectors (type OTM_) and switch fuses (type OSM_) are suitable for remote control. The switches can be operated either electrically by using the motor operator or manually by using the handle. The operation, either electrical or manual, can be chosen by the selector switch “Motor/Manual” on the motor operator.

Easy, flexible installation

The motorized switch-disconnectors OTM and switch fuses OSM offer you flexible cabling options. The high terminal positioning with space to the back plate simplifies the mounting of cables. It's also ideal for double cabling, which in turn saves space.

- ▶ Reduced installation time reduces cost

Suitable for remote locations - Connectivity to automation system

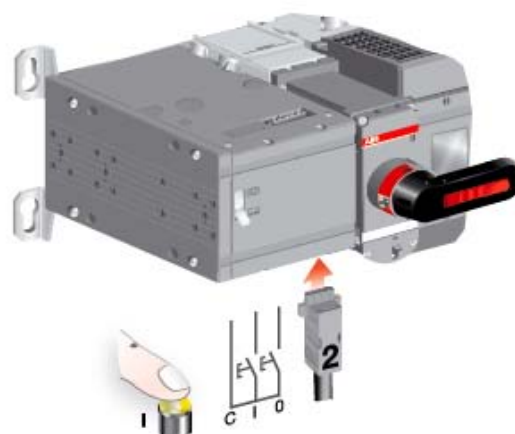
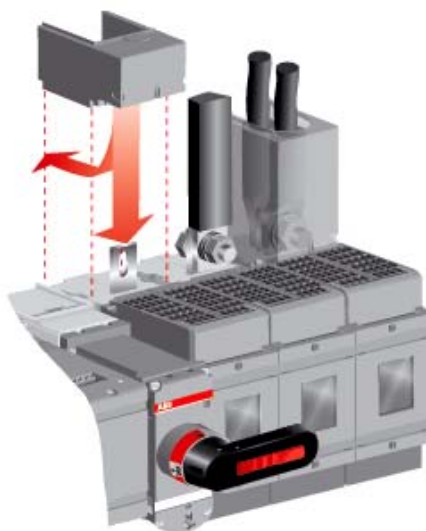
The OTM/OSM motorized switches can be operated remotely by using a suitable device e.g. push-buttons or a cam switch. It is also easy to control the motor operator for example with a PLC or PC-based controller. The remote control can easily be prevented by a selector switch "Motor/Manual". This ensures that maintenance work can be executed safely. Remote control is also prevented whenever the manual handle or a padlock has been inserted.

- ▶ Increased productivity

High electrical ratings

- High CTI in supporting parts, resulting high U_i ratings.
- The powerful construction in motorized switch-disconnector OTM and switch fuses OSM, with their quick-make and quick-break operation features and two contact points instead of one.
- In motorized switch fuses type OSM the contact constructions are optimal, regardless of fuse type, DIN, BS or NFC-type. High performance level and smart design makes OSM motorized switch fuses suitable for all applications in low voltage networks.

- ▶ Suitable for numerous applications



Technical data, OTM160...2500

Switch-disconnectors OT160...2500

Technical data according to IEC 60947-3 Size			A	160	200	250
Switch type				OT160E	OT200	OT250
Rated insulation voltage and rated operational voltage AC-20, DC-20	Pollution degree 3		V	1000	1 000	1 000
Dielectric strength		50 Hz 1min.	kV	10	10	10
Rated impulse withstand voltage			kV	12	12	12
Rated thermal current and rated operational current AC-20, DC-20 in ambient 40 °C ⁴⁾	In open air		A	200	200	250
	In enclosure		A	160	200	250
...with minimum cable cross section		Cu	mm ²	70	95	120
Rated operational current, AC-21A		≤ 500 V	A	200	200	250
		690 V	A	160	200	250
		1000 V	A	160	200	250
Rated operational current, AC-22A		≤ 500 V	A	200	200	250
		690 V	A	160	200	250
		1000 V	A	160	200	250
Rated operational current, AC-23A		≤ 500 V	A	160	200	250
		690 V	A	160	200	250
		1000 V	A	135	135	135
Rated operational current / poles in series, DC-21A...23A ¹⁾		24 - 110 V	A	160/2	200/2	250/2
		220 V	A	160/2	200/2	250/2
		440 V	A	160/3	200/3	250/3
		660 V	A	160/4	200/4	230/4 ²⁾
Rated operational power, AC-23 ³⁾		230 V	kW	48	60	75
		400 V	kW	80	110	140
		415 V	kW	88	110	145
		440 V	kW			
		500 V	kW	112	132	170
		690 V	kW	144	200	250
Rated breaking capacity in category AC-23		≤ 500 V	A	1 280	1 600	2 000
		690 V	A	1 280	1 600	2 000
Rated conditional short-circuit current I _p (r.m.s.) and corresponding max. allowed cut-off current İ _c	I _p (r.m.s.)	80 kA, ≤ 415 V	kA			
	Max. OFA ₁ fuse size	gG/aM	A			
	I _p (r.m.s.)	100 kA, 500 V	kA	40.5	40.5	40.5
	Max. OFA ₁ fuse size	gG/aM	A	315/315	315/315	315/315
The cut-off current İ _c refers to values listed by fuse manufacturers (single phase test acc. to IEC60269).	I _p (r.m.s.)	80 kA, 690 V	kA	40.5	40.5	40.5
	Max. OFA ₁ fuse size	gG/aM	A	355/315	355/315	355/315
Rated short-time withstand current	r.m.s. value I _{cw}	≤ 1000 V, 0.15s	kA	15	15	15
		690 V, 0.25s	kA	15	15	15
		≤ 1000 V, 0.25s	kA	15	15	15
		690 V, 1s	kA	8	8	8
		≤ 1000 V, 1s	kA	8	8	8
Rated short-time making capacity	Peak value I _{cm}	≤ 1000 V	kA	30	30	30
	Max. distance from switch frame to nearest busbar / cable support		mm			
Rated capacitor power	The capacitor ratings	415 V	kVAr	80	100	115
When no initial charge on the capacitor	are limited by	500 V	kVAr	96	120	135
	the fuse links	690 V	kVAr	128	160	190
Power loss / pole	With rated current		W	3.2	4	6.5
Mechanical endurance	Divide by two for oper. cycles		Oper.	20 000	20 000	20 000
Terminal bolt size	Metric thread diameter x length		mm	M8x25	M8x25	M8x25
Terminal tightening torque	Counter torque required		Nm	15-22	15-22	15-22
Operating torque	3-pole switch disconnector		Nm	7	7	7

¹⁾ Further ratings on request.

²⁾ Category B, infrequent operation.

³⁾ These values are given for guidance and may vary acc. to the motor manufacturer.

⁴⁾ Acc. to IEC 60947-1, § 6.1.1.

⁵⁾ The value is 92 kA for 4-pole switch-disconnectors.

315 OT315	400 OT400	630 OT630	800 OT800	1000 OT1000	1250 OT1250	1600 OT1600	2000 OT2000	2500 OT2500
1 000	1 000	1 000	1 000	1 000	1 000	1 000	1 000	1 000
10	10	10	10	10	10	10	10	10
12	12	12	12	12	12	12	12	12
315	400	630	800	1 000	1 250	1 600	2 000	2 500
315	400	630	800	1 000	1 250	1 600		
185	240	2x185	2x240	2x300	2x400	2x500	3x500	4x500
315	400	630	800	1 000	1 250	1 600	2 000 ²⁾	2 500 ²⁾
315	400	630	800	1 000	1 250	1 600	2 000 ²⁾	2 500 ²⁾
315	400	630	800	1 000	1 250	1 600		
315	400	630	800	1 000	1 250	1 600	2 000 ²⁾	2 500 ²⁾
315	400	630	800	1 000	1 250	1 600	2 000 ²⁾	2 500 ²⁾
315	400	630	800	1 000	1 250	1 250		
315	400	630	800	1 000	1 250	1 250		
200	200	400	400					
315/1 ²⁾	400/1 ²⁾	630/1	800/1					
315/2 ²⁾	400/2 ²⁾	630/1	800/1					
315/3	360/3	630/2	800/2					
315/4	360/4	630/4 ²⁾	650/4 ²⁾					
100	132	200	250					
160	220	355	450	560	710	710		
180	230	355	450	630	800	800		
220	280	400	560	710	900	900		
315	400	630	800	1 000	1 200	1 200		
2 520	3 200	5 040	6 400	10 000	10 000	10 000		
2 520	3 200	5 040	6 400	10 000	10 000	10 000		
				100	100	100		
				1 250/1 250	1 250/1 250	1 250/1 250		
61.5	61.5	90	90	106	106	106		
500/450	500/450	800/1 000	800/1 000	1 250/1 250	1 250/1 250	1 250/1 250		
59	59	83.5	83.5					
500/500	500/500	800/1 000	800/1 000					
31	31	38	38					
24	24	36	36	50	50	50	80	80
24	24	36	36					
15	15	20	20	50	50	50	55	55
15	15	20	20					
65	65	80	80	110 ⁵⁾	110 ⁵⁾	110 ⁵⁾	176	176
				150	150	150	150	150
145	180	250	310	460	575	575		
175	215	300	375	550	690	690		
250	325	450	550	750	950	950		
6.5	10	25	40	19	29	48	55	85
16 000	16 000	10 000	10 000	6 000	6 000	6 000	6 000	6 000
M10x30	M10x30	M12x40	M12x40	M12x50	M12x50	M12x60	M12x60	M12x60
30-44	30-44	50-75	50-75	50-75	50-75	50-75	50-75	50-75
16	16	27	27	65	65	65	65	65

Technical data, OSM32...160

Switch fuses OS32...160

Technical data according to IEC 60947-3

		Switch size	A
Rated insulation voltage	Pollution degree 3		V
Dielectric strength		50 Hz 1min.	kV
Rated thermal current in ambient 35 °C and temporarily 40 °C ⁵⁾ / max. fuse power dissipation ¹⁾	In open air In enclosure ²⁾		A/W A/W
...with minimum cable cross section		Cu	mm ²
Rated operational voltage AC-20 and DC-20			V
Rated operational current, AC-21A		up to 500 V 690 V	A A
Rated operational current, AC-22A		up to 500 V 690 V	A A
Rated operational current, AC-23A		up to 500 V 690 V	A A
Rated operational current / poles in series DC-21A		48 V 110-220 V	A A
Rated operational current / poles in series DC-22A		440 V 48 V	A A
Rated operational current / poles in series DC-23A		110-220 V 48 V	A A
Rated operational power, AC-23 ⁴⁾	The kW-ratings are accurate for three-phase 1500 R.P.M. standard asynchronous motors.	110-220 V 230 V 400 V 415 V 500 V 690 V	A kW kW kW kW
Rated breaking capacity in category AC-23		≤ 690 V	A
Rated breaking capacity / poles in series in category DC-23		up to 220 V	A
Rated conditional short-circuit current I _p (r.m.s.) and corresponding max. allowed cut-off current \hat{i}_c	at prospective SC-current Max. OFA _{sc} fuse size gG / aM	80 kA, 415 V	kA A
	at prospective SC-current Max. OFA _{sc} fuse size gG / aM	100 kA, 500 V	kA A
The cut-off current \hat{i}_c refers to values listed by fuse manufacturers (single phase test acc. to IEC60269).	at prospective SC-current Max. OFA _{sc} fuse size gG / aM	50 kA, 690 V	kA A
	at prospective SC-current Max. OFA _{sc} fuse size gG / aM	80 kA, 690 V	kA A
Rated short-time withstand current, 1 s.	r.m.s. -value		kA
Rated capacitor power when no initial charge on the capacitor	The capacitor rating of the switch-fuse is limited by the fuse link.	400 V 415 V 690 V	kVAr kVAr kVAr
Power loss / pole	With rated current, without fuse		W
Mechanical endurance	Divide by two for operation cycles		Oper.
Fuse types, IEC 60269-2-1	DIN 43620, Neozed DIN49522 NFC 63210, 63211 BS 88-2, -6 -size / distance of fuse-link bolts		mm
Built-in terminal size		Cu	mm ²
Terminal bolt size (included)	Metric thread diameter x length		mm
Terminal tightening torque	Counter torque required		Nm
Fuse-links bolts tightening torque			Nm
Operating torque	Typical for 3-pole switch fuses		Nm

* = Utilization category B

¹⁾ Ambient temperature 60°C: derating 20%

Mounting on "ceiling": derating 10%,

²⁾ OS160G: Mounting on wall, horizontal fuses: derating 5%

³⁾ Max. fuse body diam. 32 mm

⁴⁾ Some fuse links limit these figures further. Starting current characteristics must be considered separately

⁵⁾ Acc. to IEC 60947-1, § 6.1.1. Minimum ambient temperature -5°C. Category B: -5°C...-35°C

⁶⁾ Max. fuse body diam. 22 mm

OS 32G	OS 50G	OS 63G	OS 100G	OS 125G	OS 160G
1 000	1 000	1 000	1 000	1 000	1 000
10	10	10	10	10	10
32/7.5	50/7.5	63/7.5	100/12	125/12	160/12
32/7.5	50/7.5	63/7.5	100/12	125/12	160/12
6	10	16	50	50	70
1 000	1 000	1 000	1 000	1 000	1 000
32	50	63	100	125	160
32	50	63	100	125	160
32	50	63	100	125	160
32	50	63	100	125	160
32	50	63	100	125	160
32	50	63	100	125	160
32/2	50/2	63/2	100/2	125/2	160/2
32/2*	50/2*	63/2*	100/2*	125/2*	125/2*
32/4*	50/4*	50/4*	100/4*	125/4*	125/4*
32/2	50/2	63/2	100/2	125/2	160/2
32/2*	50/2*	63/2*	100/2*	125/2*	125/2*
32/2	50/2	63/2	100/2	125/2	160/2
32/2*	50/2*	63/2*	100/2*	125/2*	125/2*
7.5	11	18.5	30	37	45
15	22	30	55	55	75
15	22	30	55	55	75
18.5	30	37	55	75	90
22	37	55	90	110	132
504	504	504	1280	1280	1280
252/2	252/2	252/2	640/2	640/2	640/2
13.5	13.5	13.5	23.5	23.5	23.5
80/63	80/63	80/63	160/160	160/160	160/160
12.5	12.5	12.5	25.5	25.5	25.5
63/50	63/50	63/50	160/160	160/160	160/160
9.5	9.5	9.5	17.5	17.5	17.5
63/50	63/50	63/50	125/160	125/160	125/160
11.5	11.5	11.5	20.5	20.5	20.5
50/50	50/50	50/50	125/160	125/160	125/160
2.5	2.5	2.5	5	5	5
15	20	25	40	50	60
15	25	32	42	55	65
25	42	50	75	90	100
1	2.5	4	4	5	9
20 000	20 000	20 000	20 000	20 000	20 000
000		000		000, 00	000, 00
A2-A3 ⁶⁾	14x51	A2-A3 ⁶⁾	A2-A4 ³⁾	A2-A4 ³⁾	A2-A4 ³⁾
M5/73		M5/73	M5/73, M8/94	M5/73, M8/94	M5/73, M8/94
2.5...25	2.5...25	2.5...25			
4	4	4	M8x25	M8x25	M8x25
3.5		3.5	15-22	15-22	15-22
5	5	5	M5:3.5 M8:5	M5:3.5 M8:5	M5:3.5 M8:5
			7	7	7

Technical data, OSM200...1250

Switch fuses OS200...1250

Technical data according to IEC 60947-3

		Switch size	A	OS
				200_
Rated insulation voltage and rated operational voltage AC-20 and DC-20	Pollution degree 3		V	1000
Dielectric strength		50 Hz 1min.	kV	10
Rated impulse withstand voltage			kV	12
Rated thermal current in ambient 35 °C and temporarily in 40 °C ⁵⁾ / max. fuse power dissipation	In open air		A/W	200/17
	In enclosure		A/W	200/15
...with minimum cable cross section		Cu	mm ²	95
Rated thermal current of detachable neutral	In open air / Cu cable or bar cross section	In "N3" types	A/mm ²	290/120
Derating, mounting on wall horizontal fuses	In open air or ventilated enclosure		%	0
	Totally enclosed		%	5
Derating, mounting on 'ceiling'			%	10
Derating at 60 °C	In open air / in enclosure		%	20/20
Rated operational current AC-21A		≤ 500 V	A	200
		690 V	A	200
Rated operational current AC-22A		≤ 415 V	A	200
		500 V	A	200
		690 V	A	200
Rated operational current AC-23A		≤ 415 V	A	200
		500 V	A	200
		690 V	A	200
Rated operational current / poles in series DC-21A, DC-22A and DC-23A		≤ 220 V	A	200/1
		440 V	A	200/2
		660 V	A	200/3
		750 V	A	180/4
		880 V	A	180/4
Rated operational power AC-23 ¹⁾		230 V	kW	60
		400 V	kW	110
		415 V	kW	110
		500 V	kW	132
		690 V	kW	200
Rated breaking capacity AC-23		≤ 690 V	A	1600
Rated conditional short-circuit current I _B (r.m.s.) and corresponding max. allowed cut-off current I _C	I _B (r.m.s.)	80 kA, 415 V	kA	35
	Max. OFA_ fuse size gG/aM		A	250/200
	I _B (r.m.s.)	100 kA, 500 V	kA	37.5
	Max. OFA_ fuse size gG/aM		A	250/200
	I _B (r.m.s.)	80 kA, 690 V	kA	25
	Max. OFA_ fuse size gG/aM		A	160/
The cut-off current I _C refers to values listed by fuse manufacturers (single phase test acc. to IEC60269)	I _B (r.m.s.)	50 kA, 415 V	kA	28
	Max. BS fuse size gG/gM		A	200/200M315
	I _B (r.m.s.)	80 kA, 690 V	kA	28
	Max. BS fuse size gG/gM		A	200/200M250
Rated short-time withstand current, 1s.	r.m.s. -value		kA	8
	Max. distance from switch frame to nearest busbar/cable support		mm	150
Rated capacitor power when no initial charge of the capacitor	The capacitor ratings of the switch-fuses are limited by the fuse links	400 V	kVAr	90
		415 V	kVAr	100
		500 V	kVAr	120
		690 V	kVAr	160
Power loss / pole	With rated current, without fuse		W	8
Mechanical endurance	Divide by two for operation cycles		Oper.	20 000
Fuse types, IEC 60269-2	Sec. I, DIN 43620			0
	Sec. IA, NFC 0-3 Ref.A, 4a Ref.B			1
	Sec. II, BS 88			B1-B2
	Size / distance of fuse-link bolts		mm	M6/111
Terminal bolt size (included)	Metric thread diameter x length		mm	M8x25
Terminal tightening torque	Counter torque required		Nm	15-22
Fuse-links bolts tightening torque			Nm	4
Operating torque	Typical for 3-pole switch fuses		Nm	7

¹⁾ These values are given for guidance and may vary acc. to the motor manufacturer.

²⁾ Max fuse body dia 52 mm.

³⁾ Max fuse body dia 62 mm.

⁴⁾ Category B

⁵⁾ Acc. to IEC 60957-2, IEC 60947-1, § 6.1.1. Minimum ambient temperature -5°C.

Category B: -5°C...-35°C

OS 250_	OS 315_	OS 400_	OS 630_	OS 800_	OS 1250_
1000	1000	1000	1000	1000	1000
10	10	10	10	10	10
12	12	12	12	12	12
250/23	315/32	400/45	630/60	800/65	1250/110
250/20	315/32	400/30	570/50	720/55	1000/85
120	185	240	2 x 185	2 x 240	2 x 400
290/120	450/240	450/240	900/2 X 240	900/2 x 240	1250/2 x 400
0	0	4	0	4	4
5	5	8	5	8	8
10	10	10	10	10	10
20/20	20/20	20/20	20/20	20/20	20/20
250	315	400	630	800	1250 ⁴⁾
250	315	400	630	800	1250 ⁴⁾
250	315	400	630	800	1250
250	315	400	630	800	1250 ⁴⁾
250	315	400	630	800	1250 ⁴⁾
250	315	400	630	800	1000
250	315	400	630	800	1000 ⁴⁾
250	315	400	630	800	1000 ⁴⁾
250/1	315/2	400/2	630/1 ⁴⁾	800/1 ⁴⁾	
250/2	315/3 ⁴⁾	400/3 ⁴⁾	630/2 ⁴⁾	800/2 ⁴⁾	
250/3	315/4 ⁴⁾	400/4 ⁴⁾	630/3 ⁴⁾	720/3 ⁴⁾	
230/4	315/4 ⁴⁾	400/4 ⁴⁾	630/4 ⁴⁾	720/4 ⁴⁾	
230/4			630/4 ⁴⁾	720/4 ⁴⁾	
75	100	132	200	250	315
140	160	220	355	450	560
145	180	230	355	450	560
170	220	280	450	560	710
250	315	400	630	710	1000
2000	3200	3200	6400	6400	8000
40.5		59	77	77	89
355/315		500/500	800/800	800/800	1250/1250
37.5		63.5	83	83	105
250/250		500/500	800/800	800/800	1250/-
32.5		46	55	55	88
200/250		315/400	500/630	500/630	1000/1000
28	44	44	67	67	90
250/200M315	400/400M500	400/400M500			
28	48	48	55	55	109
250/200M250	400/400M450	400/400M450			1250/-
8	14	14	18	18	40
150	150	150	150	150	150
105	145	180	250	310	440
115	160	200	270	340	460
135	175	215	300	375	550
190	250	325	450	550	750
13	19	30	46	75	75
20 000	16 000	16 000	10 000	10 000	6000
0-1		0-2	3	3	4, 4 a
	2	3	3	4 a	
B1-B3 ²⁾	B1-B4 ³⁾	B1-B4 ³⁾	C1-C2	C1-C3	D1
M8/111	M8/111	M8/111	M10/133, 184	M10/133, 184	2xM12/149
M10x30	M10x30	M10x30	M12x40	M12x40	M12x50
30-44	30-44	30-44	50-75	50-75	50-75
5	20	20	M10:30 M12:40	M10:30 M12:40	M12:40
7	19	19	38	38	65

Technical data, motor operators

OTM160...2500 and OSM32...1250

Data for motor operator of switch-disconnectors OTM according to IEC 60947		Switch size		160...250
Rated operational voltage U_e	Pollution degree 3 50/60 Hz		V AC	220 - 240
Operating voltage range				0.85 - 1.1 x U_e
Operating time ¹⁾	90° I - 0, 0 - I	220-240VAC	s	0.5 - 1.0
Nominal current I_n ¹⁾		220-240VAC	A	0.3
Current inrush ¹⁾		220-240VAC	A	1.5
Overload fuse	Type / I_n / Capacity Size	220-240VAC	mA mm	T / 315 / H 5x20
Operating rate	Cycle 0 - I - 0 Max. continuous Max. short-time ≤ 10 cycles	220-240VAC 220-240VAC	cycles / min cycles / min	1 10
Overvoltage category				III
Rated impulse withstand voltage U_{imp}			kV	4
Dielectric strength	50 Hz 1 min.		kV	1.5
Impulse command	Min. impulse duration		ms	100
Terminals	Voltage supply wiring for U_e Cross section Short-circuit protection device Push-button control Cross section Maximum cable length	solid/stranded max.fuse size C - I - O solid/stranded	mm ² A mm ² m	PE - N - L 1.5 - 2.5 16 no SELV 1.5 - 2.5 100
State information of locking	Handle attached or motor operator locked Locking motor operator Short-circuit protection device	11-12-14 (C/O) 23-24 (NO) MCB type and size	cosφ=1 cosφ=1	no SELV 5A/250V 5A/250V C/2A IP20
Protection degree				IP20
Operating temperature			°C	-25...+55
Transportation and storage temperature			°C	-40...+70
Max. altitude			m	2000

Data for motor operator of switch fuses OSM according to IEC 60947		Switch size		
Rated operational voltage U_e	Pollution degree 3 50/60 Hz		V AC	
Operating voltage range				
Operating time ¹⁾	90° I - 0, 0 - I	220-240VAC	s	
Nominal current I_n ¹⁾		220-240VAC	A	
Current inrush ¹⁾		220-240VAC	A	
Overload fuse	Type / I_n / Capacity Size	220-240VAC	mA mm	
Operating rate	Cycle 0 - I - 0 Max. continuous Max. short-time ≤ 10 cycles	220-240VAC 220-240VAC	cycles / min cycles / min	
Overvoltage category				
Rated impulse withstand voltage U_{imp}			kV	
Dielectric strength	50 Hz 1 min.		kV	
Impulse command	Min. impulse duration		ms	
Terminals	Voltage supply wiring for U_e Cross section Short-circuit protection device Push-button control Cross section Maximum cable length	solid/stranded max.fuse size C - I - O solid/stranded	mm ² A mm ² m	
State information of locking	Handle attached or motor operator locked Locking motor operator Short-circuit protection device	11-12-14 (C/O) 23-24 (NO) MCB type and size	cosφ=1 cosφ=1	
Protection degree				
Operating temperature			°C	
Transportation and storage temperature			°C	
Max. altitude			m	

¹⁾ Under nominal conditions

315...400	600...800	1000...1600	2000...2500
220 - 240	220 - 240	220 - 240	220 - 240
0,85 - 1,1 x U _e	0,85 - 1,1 x U _e	0,85 - 1,1 x U _e	0,85 - 1,1 x U _e
0.5 - 1.0	0.5 - 1.5	1.0 - 2.0	1.0 - 2.0
0.5	0.9	1.4	1,4
2.5	4.0	10	10
T / 500 / H	T / 1000 / H	T / 2000 / H	T / 2000 / H
5x20	5x20	5x20	5x20
1	1	0.5	0.5
10	10	5	5
III	III	III	III
4	4	4	4
1.5	1.5	1.5	1.5
100	100	100	100
PE - N - L	PE - N - L	PE - N - L	PE - N - L
1.5 - 2.5	1.5 - 2.5	1.5 - 2.5	1.5 - 2.5
16	16	16	16
no SELV	no SELV	no SELV	no SELV
1.5 - 2.5	1.5 - 2.5	1.5 - 2.5	1.5 - 2.5
100	100	100	100
no SELV	no SELV	no SELV	no SELV
5A/250V	5A/250V	5A/250V	5A/250V
5A/250V	5A/250V	5A/250V	5A/250V
C/2A	C/2A	C/2A	C/2A
IP20	IP20	IP20	IP20
-25...+55	-25...+55	-25...+55	-25...+55
-40...+70	-40...+70	-40...+70	-40...+70
2000	2000	2000	2000
32...250	315...400	630...800	1250
220 - 240	220 - 240	220 - 240	220 - 240
0.85 - 1.1 x U _e	0.85 - 1.1 x U _e	0.85 - 1.1 x U _e	0.85 - 1.1 x U _e
0.5 - 1.0	0.5 - 1.2	0.5 - 1.5	0.8 - 2.0
0.3	0.5	0.9	1.4
1.5	2.5	4	10
T / 315 / H	T / 500 / H	T / 1000 / H	T / 2000 / H
5x20	5x20	5x20	5x20
1	1	1	0.5
10	10	10	5
III	III	III	III
4	4	4	4
1.5	1.5	1.5	1.5
100	100	100	100
PE - N - L	PE - N - L	PE - N - L	PE - N - L
1.5 - 2.5	1.5 - 2.5	1.5 - 2.5	1.5 - 2.5
16	16	16	16
no SELV	no SELV	no SELV	no SELV
1.5 - 2.5	1.5 - 2.5	1.5 - 2.5	1.5 - 2.5
100	100	100	100
no SELV	no SELV	no SELV	no SELV
5A/250V	5A/250V	5A/250V	5A/250V
5A/250V	5A/250V	5A/250V	5A/250V
C/2A	C/2A	C/2A	C/2A
IP20	IP20	IP20	IP20
-25...+55	-25...+55	-25...+55	-25...+55
-40...+70	-40...+70	-40...+70	-40...+70
2000	2000	2000	2000

Motorized switch-disconnectors OTM

Ordering information

Motorized switch-disconnectors OTM

Including a handle for manual operation, bolt kit with nut and washers for all terminals, male connectors for control circuit and a handle and spare fuse storage clip.

Type codes for motor voltage $U_e = 220-240$ VAC

Rated current AC-22A/AC-23A $\leq 690V$ [A]	Number of poles	Type	Order number	Units/ type [pcs]	Weight [kg]
IEC type motorized switch-disconnectors with standard phase distance					
160/160	3	OTM160E3M230C	1SCA115283R1001	1	4.6
160/160	4	OTM160E4M230C	1SCA115293R1001	1	5.0
200/200	3	OTM200E3M230C	1SCA115284R1001	1	4.6
200/200	4	OTM200E4M230C	1SCA115292R1001	1	5.0
250/250	3	OTM250E3M230C	1SCA115285R1001	1	4.6
250/250	4	OTM250E4M230C	1SCA115290R1001	1	5.0
315/315	3	OTM315E3M230C	1SCA115334R1001	1	8.4
315/315	4	OTM315E4M230C	1SCA115335R1001	1	9.0
400/400	3	OTM400E3M230C	1SCA115333R1001	1	8.4
400/400	4	OTM400E4M230C	1SCA115336R1001	1	9.0
630/630	3	OTM630E3M230C	1SCA115354R1001	1	17.4
630/630	4	OTM630E4M230C	1SCA115357R1001	1	18.9
800/800	3	OTM800E3M230C	1SCA115355R1001	1	17.4
800/800	4	OTM800E4M230C	1SCA115356R1001	1	18.9
1000/1000	3	OTM1000E3M230C	1SCA115364R1001	1	37
1000/1000	4	OTM1000E4M230C	1SCA115368R1001	1	42
1250/1250	3	OTM1250E3M230C	1SCA115365R1001	1	37
1250/1250	4	OTM1250E4M230C	1SCA115367R1001	1	42
1600/1250	3	OTM1600E3M230C	1SCA115366R1001	1	39
1600/1250	4	OTM1600E4M230C	1SCA115369R1001	1	44
2000/- ¹⁾	3	OTM2000E3M230C	1SCA115372R1001	1	47
2000/- ¹⁾	4	OTM2000E4M230C	1SCA115374R1001	1	55
2500/- ¹⁾	3	OTM2500E3M230C	1SCA115373R1001	1	47
2500/- ¹⁾	4	OTM2500E4M230C	1SCA115375R1001	1	55

IEC type motorized switch-disconnectors with wide phase distance

160/160	3	OTM160E3WM230C	1SCA115286R1001	1	4.7
160/160	4	OTM160E4WM230C	1SCA115295R1001	1	5.1
200/200	3	OTM200E3WM230C	1SCA115288R1001	1	4.7
200/200	4	OTM200E4WM230C	1SCA115296R1001	1	5.1
250/250	3	OTM250E3WM230C	1SCA115289R1001	1	4.7
250/250	4	OTM250E4WM230C	1SCA115297R1001	1	5.1

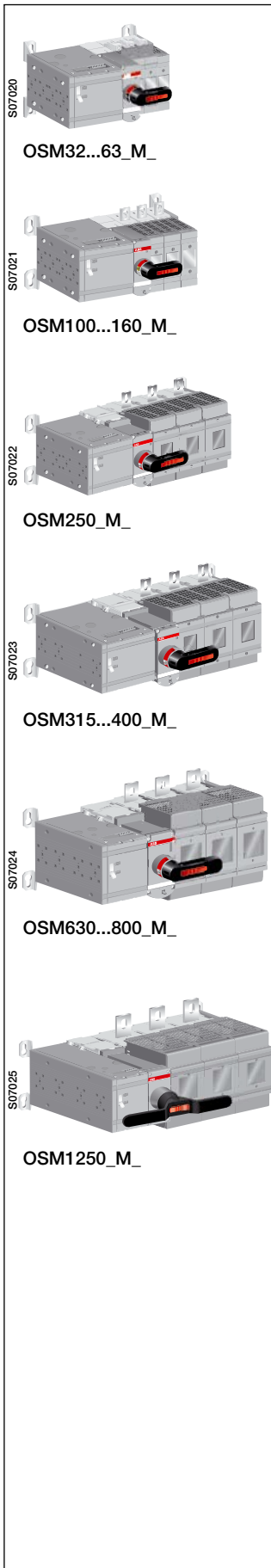
Handle and bolt kits included as standard

Suitable for switch disconnectors	Handle+shaft kit	Bolt kit
OTM160...250	OTV250EMK	M8x25
OTM315...400	OTV400EMK	M10X30
OTM630...800	OTV800EMK	M12X40
OTM1000...1250	OTV1000EMK	M12X50
OTM1600	OTV1000EMK	M12X60
OTM2000...2500	OTV1000EMK	M12X60

¹⁾ Up to 415 V, category B

Motorized switch fuses OSM, DIN-types

Ordering information



Motorized switch fuses OSM, DIN-types

Including a handle for manual operation, bolt kit with nut and washers for all terminals (100A...1250A), male connectors for control circuit and a handle and spare fuse storage clip. Types OSM1250DA_ : a fuse replacement handle is integrated in the fuse cover.

Type codes for motor voltage $U_e = 220-240$ VAC

Rated current AC-20...23 ≤ 690V [A]	Fuse size	Number of poles	Type	Order number	Units/ type [pcs]	Weight [kg]
32	000	3	OSM32GD3M230C	1SCA116664R1001	1	7.0
32	000	4	OSM32GD4N2M230C	1SCA118822R1001	1	7.3
63	000	3	OSM63GD3M230C	1SCA116660R1001	1	7.0
63	000	4	OSM63GD4N2M230C	1SCA118865R1001	1	7.3
125	000,00	3	OSM125GD3M230C	1SCA116674R1001	1	7.6
125	000,00	4	OSM125GD4N2M230C	1SCA118828R1001	1	7.9
160	000,00	3	OSM160GD3M230C	1SCA116673R1001	1	7.6
160	000,00	4	OSM160GD4N2M230C	1SCA118831R1001	1	7.9
200	0	3	OSM200D3M230C	1SCA104284R1001	1	9.6
200	0	3+N	OSM200D3N3M230C	1SCA104282R1001	1	9.8
200	0	4	OSM200D4N2M230C	1SCA118836R1001	1	10.7
250	0-1	3	OSM250D3M230C	1SCA104295R1001	1	10.4
250	0-1	3+N	OSM250D3N3M230C	1SCA104297R1001	1	10.5
250	0-1	4	OSM250D4N2M230C	1SCA118838R1001	1	11.2
400	0-2	3	OSM400D3M230C	1SCA104315R1001	1	14.8
400	0-2	3+N	OSM400D3N3M230C	1SCA104317R1001	1	15.1
400	0-2	4	OSM400D4N2M230C	1SCA118842R1001	1	16.7
630	3	3	OSM630D3M230C	1SCA104518R1001	1	34
630	3	3+N	OSM630D3N3M230C	1SCA104533R1001	1	35
630	3	4	OSM630D4N2M230C	1SCA118846R1001	1	38
800	3	3	OSM800D3M230C	1SCA104522R1001	1	34
800	3	3+N	OSM800D3N3M230C	1SCA104534R1001	1	35
800	3	4	OSM800D4N2M230C	1SCA118847R1001	1	38
1250	4	3	OSM1250D3M230C	1SCA112549R1001	1	55
1250	4	3+N	OSM1250D3N3M230C	1SCA112547R1001	1	56
1250	4	4	OSM1250D4N2M230C	1SCA118850R1001	1	65
1250	4a	3	OSM1250DA3M230C	1SCA112546R1001	1	55
1250	4a	3+N	OSM1250DA3N3M230C	1SCA112544R1001	1	56
1250	4a	4	OSM1250DA4N2M230C	1SCA118851R1001	1	65

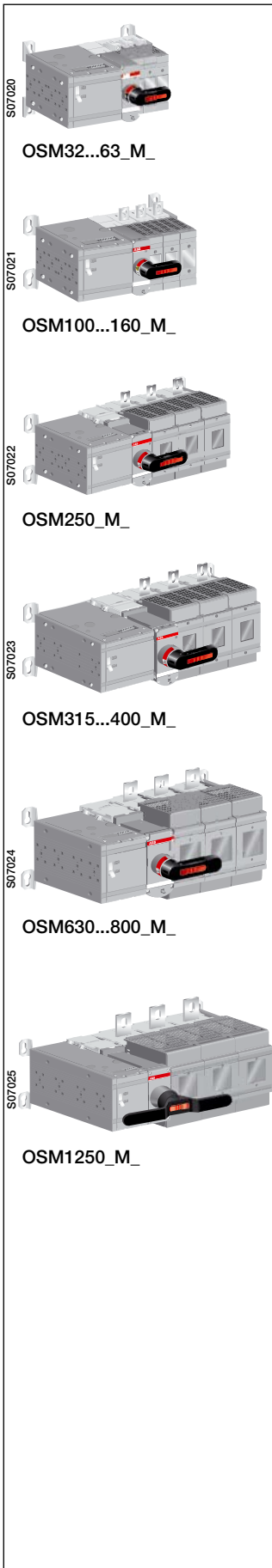
Handle and bolt kits included as standard

Suitable for switch fuses	Handle+shaft kit	Bolt kit
OSM32...63	OTV250EMK	-
OSM100...200	OTV250EMK	M8x25
OSM250	OTV250EMK	M10X30
OSM315...400	OTV400EMK	M10X30
OSM630...800	OTV800EMK	M12X40
OSM1250	OTV1000EMK	M12X50

Number of poles: 3+N / Type: _N3_ = Include a detachable neutral link integrated into the mechanism
 N2 = Non-fused switched neutral on the right side
 Available on request: F = Fused switched neutral, N1 = Non-fused switched neutral on the left side

Motorized switch fuses OSM, BS and NFC-types

Ordering information



Motorized switch fuses OSM, BS-types

Including a handle for manual operation, bolt kit with nut and washers for all terminals (100A...1250A), male connectors for control circuit and a handle and spare fuse storage clip.

Type codes for motor voltage $U_e = 220-240$ VAC.

Rated current AC-20...23 ≤ 690V [A]	Fuse size	Number of poles	Type	Order number	Units/ type [pcs]	Weight [kg]
32	A2-A3	3	OSM32GB3M230C	1SCA116662R1001	1	7.0
32	A2-A3	4	OSM32GB4N1M230C	1SCA118775R1001	1	7.3
63	A2-A3	3	OSM63GB3M230C	1SCA116657R1001	1	7.0
63	A2-A3	4	OSM63GB4N1M230C	1SCA118776R1001	1	7.3
100	A2-A4	3	OSM100GB3M230C	1SCA116679R1001	1	7.6
100	A2-A4	4	OSM100GB4N1M230C	1SCA118779R1001	1	7.9
125	A2-A4	3	OSM125GB3M230C	1SCA116677R1001	1	7.6
125	A2-A4	4	OSM125GB4N1M230C	1SCA118780R1001	1	7.9
160	A2-A4	3	OSM160GB3M230C	1SCA116670R1001	1	7.6
160	A2-A4	4	OSM160GB4N1M230C	1SCA118781R1001	1	7.9
200	B1-B2	3	OSM200B3M230C	1SCA104272R1001	1	9.6
200	B1-B2	3+N	OSM200B3N3M230C	1SCA104323R1001	1	9.8
200	B1-B2	4	OSM200B4N1M230C	1SCA118784R1001	1	10.7
250	B1-B3	3	OSM250B3M230C	1SCA104287R1001	1	10.4
250	B1-B3	3+N	OSM250B3N3M230C	1SCA104290R1001	1	10.5
250	B1-B3	4	OSM250B4N1M230C	1SCA118785R1001	1	11.2
315	B1-B4	3	OSM315B3M230C	1SCA104303R1001	1	14.8
315	B1-B4	3+N	OSM315B3N3M230C	1SCA104306R1001	1	15.1
315	B1-B4	4	OSM315B4N1M230C	1SCA118788R1001	1	16.7
400	B1-B4	3	OSM400B3M230C	1SCA104310R1001	1	14.8
400	B1-B4	3+N	OSM400B3N3M230C	1SCA104312R1001	1	15.1
400	B1-B4	4	OSM400B4N1M230C	1SCA118789R1001	1	16.7
630	C1-C2	3	OSM630B3M230C	1SCA104516R1001	1	34
630	C1-C2	3+N	OSM630B3N3M230C	1SCA104535R1001	1	35
630	C1-C2	4	OSM630B4N1M230C	1SCA118791R1001	1	38
800	C1-C3	3	OSM800B3M230C	1SCA104520R1001	1	34
800	C1-C3	3+N	OSM800B3N3M230C	1SCA104536R1001	1	35
800	C1-C3	4	OSM800B4N1M230C	1SCA118792R1001	1	38
1250	D1	3	OSM1250B3M230C	1SCA112552R1001	1	55
1250	D1	3+N	OSM1250B3N3M230C	1SCA112550R1001	1	56
1250	D1	4	OSM1250B4N1M230C	1SCA118795R1001	1	65

Motorized switch fuses OSM, NFC-types

Including a handle for manual operation, bolt kit with nut and washers for all terminals (125A), male connectors for control circuit and a handle and spare fuse storage clip.

Type codes for motor voltage $U_e = 220-240$ VAC.

50	14X51	3	OSM50GF3M230C	1SCA116666R1001	1	7.0
50	14X51	4	OSM50GF4N1M230C	1SCA118871R1001	1	7.3
125	22X58	3	OSM125GF3M230C	1SCA116681R1001	1	7.6
125	22X58	4	OSM125GF4N1M230C	1SCA118798R1001	1	7.9

Handle and bolt kits included as standard

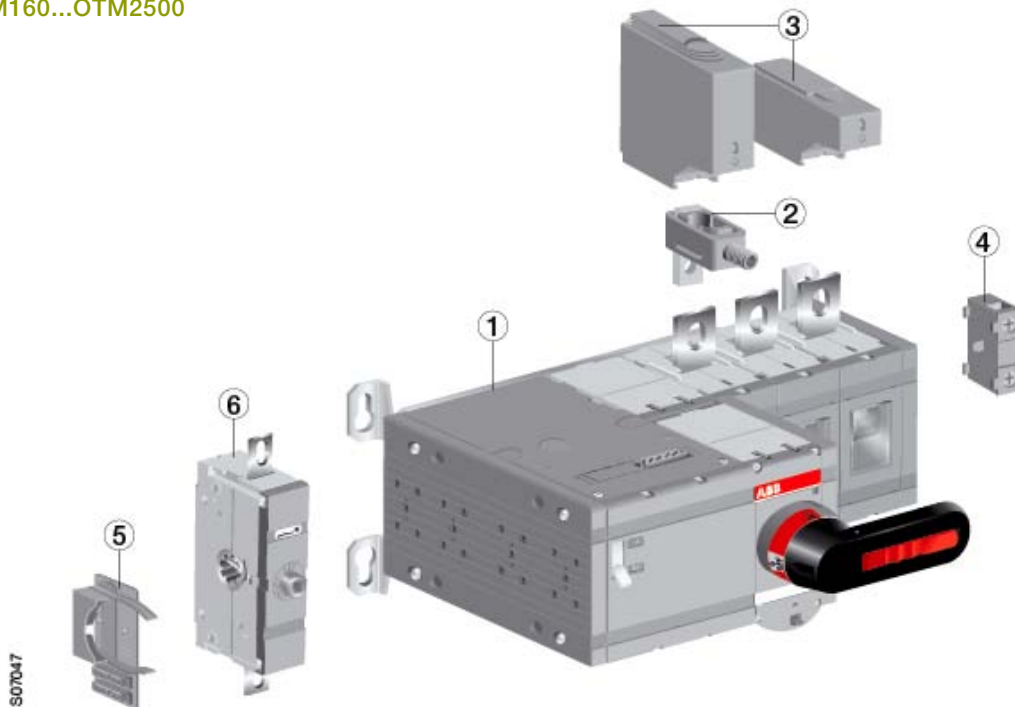
Suitable for switch fuses	Handle+shaft kit	Bolt kit
OSM32...63	OTV250EMK	-
OSM100...200	OTV250EMK	M8x25
OSM250	OTV250EMK	M10X30
OSM315...400	OTV400EMK	M10X30
OSM630...800	OTV800EMK	M12X40
OSM1250	OTV1000EMK	M12X50

Number of poles: 3+N / Type: _N3_ = Include a detachable neutral link integrated into the mechanism
 N1 = Non-fused switched neutral on the left side,
 Available on request: F = Fused switched neutral, N2 = Non-fused switched neutral on the right side

Accessories

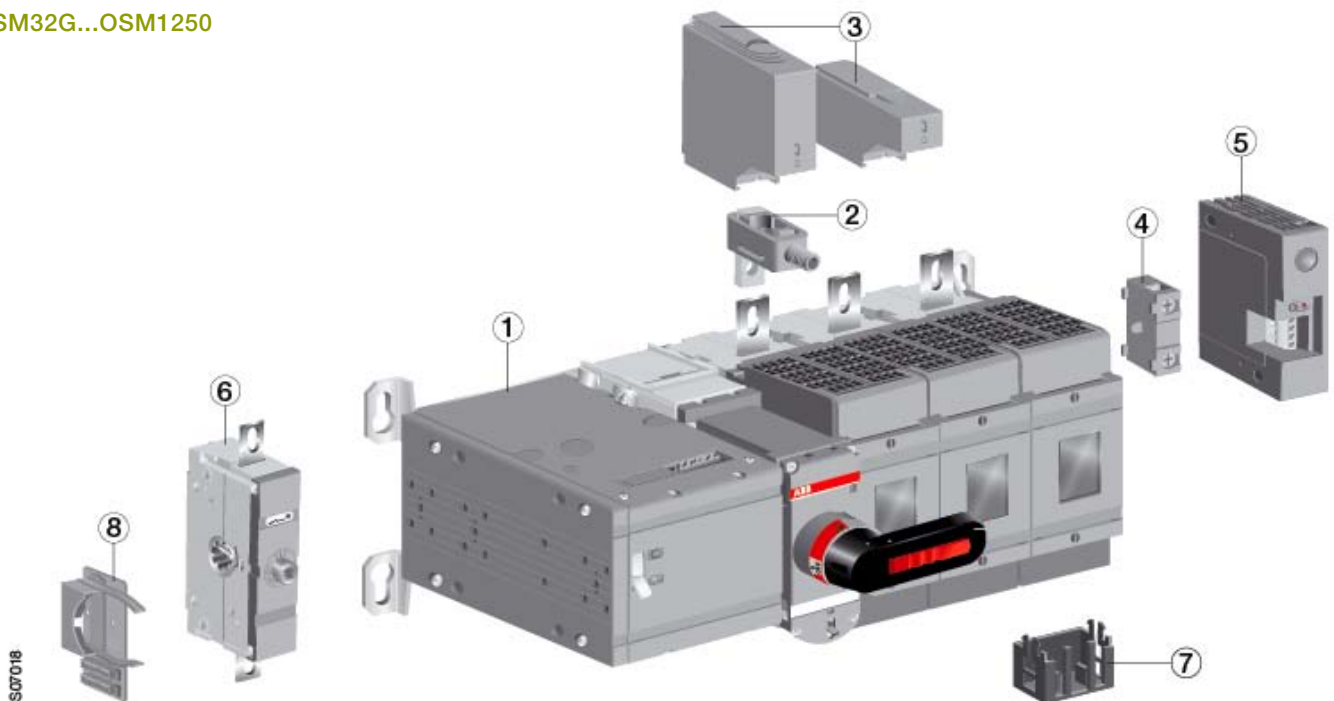
Selection overview

OTM160...OTM2500



1 Motorized switch-disconnector | 2 Terminal clamp | 3 Terminal shroud | 4 Auxiliary contact | 5 Storage for handle and fuses | 6 Detachable neutral link

OSM32G...OSM1250



1 Motorized switch fuse | 2 Terminal clamp | 3 Terminal shroud | 4 Auxiliary contact | 5 Fuse monitor | 6 Detachable neutral link | 7 Blown fuse indicator | 8 Storage for handle and fuses

Auxiliary contacts

Ordering information

SC0281A



OA_G_

Auxiliary contacts for OTM160...2500 and OSM32G...1250

Mounting on the side

Units/type = 1 piece.

Types _AU have gold plated contacts for harsh environments and low operating voltages.

Mounting on the right side of the OTM motorized switch-disconnector and the OSM motorized switch fuse: Maximum 2+2 auxiliary contact blocks (N.O. or N.C.), snap-on mounting.

Suitable for switches	Description	Protection degree	Type	Order number	Delivery batch [pcs]	Weight [kg]
OTM/ OSM	1NO	IP20	OA1G10	1SCA022353R4970	10	0.03
	1NC	IP20	OA3G01	1SCA022456R7410	10	0.03
	1NO	IP20	OA1G10AU	1SCA022436R7910	10	0.03
	1NC	IP20	OA3G01AU	1SCA022819R5260	10	0.03

Mounting under the mechanism cover:

The "test" contacts operate in ON- and OFF-positions as well as when the handle is turned to TEST-position = 45 degrees over the OFF-position. The "test indication" contacts operate only when the handle is turned to TEST-position. See the function table below. The OA1G10 (N.O.) or OA3G01 (N.C.) auxiliary contact blocks can be used as standard auxiliary contacts, "test" or "test indication" contacts. The desired functions are achieved when an auxiliary contact block is installed in a specific place shown in the mounting instruction.

Function table of OTM/OSM auxiliary contacts

Handle position	Main contacts	Aux./Test contacts N.O.	Test indication contacts N.O.
Test	open	closed	closed
0	open	open	open
I	closed	closed	open

Maximum number of contact blocks, "Aux./test" contacts and "test indication" contacts, see the table below. Standard versions include all except for N3-types which are equipped with integrated neutral through the mechanism.

Maximum number of auxiliary contacts under the mechanism cover of OTM

	OTM 160...250	OTM315...400	OTM630...800	OTM 1000...2500
Maximum number of contact blocks	2	4	4	6
Aux./Test contacts	2	-	-	2 ¹⁾
Test indication contacts	-	4	4	4

Maximum number of auxiliary contacts under the mechanism cover of OSM

	OSM32G...250		OSM315...800		OSM1200...1250	
	Standard	N3	Standard	N3	Standard	N3
Maximum number of contact blocks	4	0	8	4	12	8
Aux./Test contacts	4	0	4	2	8 ²⁾	6 ³⁾
Test indication contacts	2	0	4	2	4	2

The contact timing: see the chart in catalogues OT_OETL1GB or OS1GB.

Performance data for auxiliary contacts

OA1G_ , OA3G_

U _r [V]	690
U _{imp} [kV]	4
Pollution degree	3
I _n [A]	16
Cable size	1...2 x 0,75...2,5mm ²
Maximum fuse	16A/gG
NEMA	A600, R300
Wire size	18 - 14AWG, 1(2)

U _r [V]	AC15		U _r [V]	DC12		DC13	
	I _e [A]	I _e [A]		I _e [A]	P [W]	I _e [A]	P [W]
230	6	24	10	240	2	48	
400	4	72	4	288	0.8	58	
690	2	125	2	250	0.55	69	
		250	0,55	138	0.27	68	
		440	0.1	44			

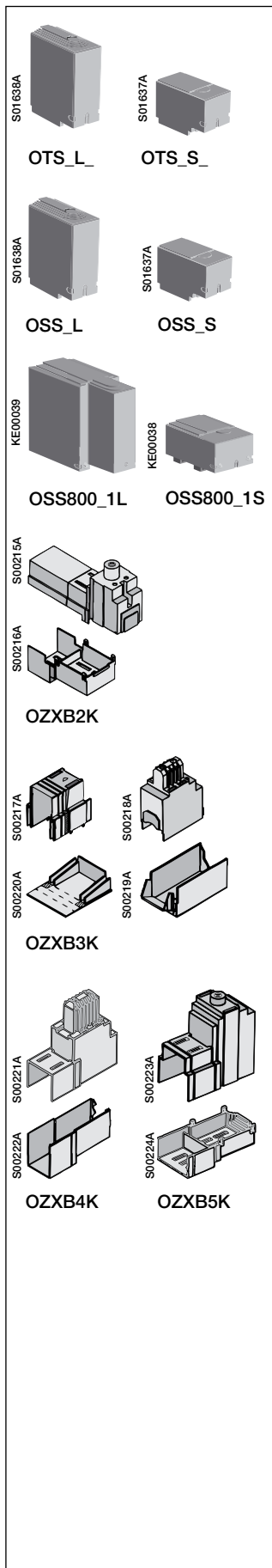
¹⁾ Early operation test contact

²⁾ 6 aux./test contacts and 2 early operation aux./test contacts

³⁾ 4 aux./test contacts and 2 early operation aux./test contacts

Terminal shrouds

Ordering information



Terminal shrouds for OTM and OSM

Pack of single pole terminal shrouds, snap-on mounting, grey plastic, IP 3X. Transparent shrouds available on request.

Suitable for switches	Description	Type	Order number	Units/ type [pcs]	Weight [kg]
For motorized switch-disconnectors OTM					
OTM160...250	Long type	OTS250G1L/3	1SCA022731R8150	3	0.09
	Short type	OTS250G1S/3	1SCA022731R8310	3	0.06
	Long type	OTS250G1L/4	1SCA022731R8230	4	0.12
	Short type	OTS250G1S/4	1SCA022731R8400	4	0.08
OTM315...400	Long type	OTS400G1L/3	1SCA022736R8840	3	0.15
	Short type	OTS400G1S/3	1SCA022736R9060	3	0.09
	Long type	OTS400G1L/4	1SCA022736R9490	4	0.20
	Short type	OTS400G1S/4	1SCA022736R9650	4	0.12
OTM630...800	Long type	OTS800G1L/3	1SCA022776R7890	3	0.32
	Short type	OTS800G1S/3	1SCA022776R8190	3	0.17
	Long type	OTS800G1L/4	1SCA022776R7970	4	0.42
	Short type	OTS800G1S/4	1SCA022776R8270	4	0.26
OTM1000...1600	Long type	OTS1600G1L/3	1SCA022871R9510	3	0.6
	Short type	OTS1600G1S/3	1SCA022871R9600	3	0.4
	Long type	OTS1600G1L/4	1SCA022871R9780	4	0.8
	Short type	OTS1600G1S/4	1SCA022871R9860	4	0.5
OTM2000...2500	Long type	OTS2500G1L/3	1SCA107261R1001	3	1.0
	Short type	OTS2500G1S/3	1SCA107260R1001	3	0.5
	Long type	OTS2500G1L/4	1SCA107262R1001	4	1.3
	Short type	OTS2500G1S/4	1SCA107271R1001	4	0.7

For motorized switch fuses OSM

OSM100G...160G	Long type	OSS160GG1L/3	1SCA114764R1001	3	0.08
	Short type	OSS160GG1S/3	1SCA114766R1001	3	0.05
	Long type	OSS160GG1L/4	1SCA114765R1001	4	0.11
	Short type	OSS160GG1S/4	1SCA114767R1001	4	0.07
OSM200	Long type	OSS200G1L/3	1SCA022731R8910	3	0.09
	Short type	OSS200G1S/3	1SCA022732R0130	3	0.06
	Long type	OSS200G1L/4	1SCA022731R9040	4	0.12
	Short type	OSS200G1S/4	1SCA022732R0050	4	0.08
OSM250	Long type	OSS250G1L/3	1SCA022731R9390	3	0.09
	Short type	OSS250G1S/3	1SCA022731R9550	3	0.06
	Long type	OSS250G1L/4	1SCA022731R9470	4	0.12
	Short type	OSS250G1S/4	1SCA022731R9630	4	0.08
OSM315...400	Long type	OSS400G1L/3	1SCA022776R6650	3	0.18
	Short type	OSS400G1S/3	1SCA022776R6900	3	0.10
	Long type	OSS400G1L/4	1SCA022776R6730	4	0.25
	Short type	OSS400G1S/4	1SCA022776R7030	4	0.15
OSM600...800	Long type	OSS800G1L/3	1SCA022776R7200	3	0.53
	Short type	OSS800G1S/3	1SCA022776R7540	3	0.21
	Long type	OSS800G1L/4	1SCA022776R7380	4	0.70
	Short type	OSS800G1S/4	1SCA022776R7460	4	0.28
OSM1250	Long type	OSS1250G1L/3	1SCA107938R1001	3	0.76
	Short type	OSS1250G1S/3	1SCA107939R1001	3	0.40
	Long type	OSS1250G1L/4	1SCA107940R1001	4	1.00
	Short type	OSS1250G1S/4	1SCA107941R1001	4	0.52

For motorized switch fuses OSM

Terminal shrouds suitable for mechanisms with detachable integrated neutral (N3 versions).

OSM100G...250_N3_	Long type	OTS250G1L	1SCA022715R5340	1	0.03
	Short type	OTS250G1S	1SCA022715R5260	1	0.02
OSM315...400_N3_	Long type	OSS250G1L	1SCA022727R5080	1	0.03
	Short type	OSS250G1S	1SCA022727R4940	1	0.02
OSM630...800_N3_	Long type	OTS800G1L	1SCA022776R7710	1	0.10
	Short type	OTS800G1S	1SCA022776R8010	1	0.06
OSM1250_N3_	Long type	OTS1600G1L	1SCA106134R1001	1	0.20
	Short type	OTS1600G1S	1SCA102667R1001	1	0.12

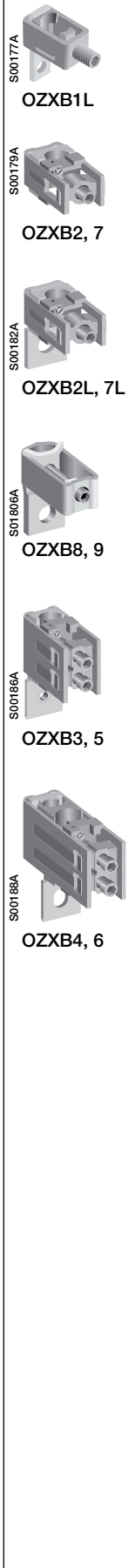
Single pole terminal shroud for terminal clamps, snap-on mounting, transparent plastic, IP 2X.

Suitable for terminal clamps	Type	Order number	Units/ type [pcs]	Weight [kg]
OZXB2, 2L	OZXB2K	1SCA022264R0010	3	0.06
OZXB2, 2L	OZXB2K/1	1SCA022644R6700	1	0.02
OZXB3, 4	OZXB3K	1SCA022264R0440	3	0.18
OZXB3, 4	OZXB3K/1	1SCA022644R6880	1	0.06
OZXB5, 6	OZXB4K	1SCA022199R2850	3	0.24
OZXB5, 6	OZXB4K/1	1SCA022644R6960	1	0.08
OZXB7, 7L	OZXB5K	1SCA022283R8040	3	0.15
OZXB7, 7L	OZXB5K/1	1SCA022644R7000	1	0.05

Connecting accessories

Ordering information

Terminal clamp sets for Al- and Cu-cables, suitable for OTM

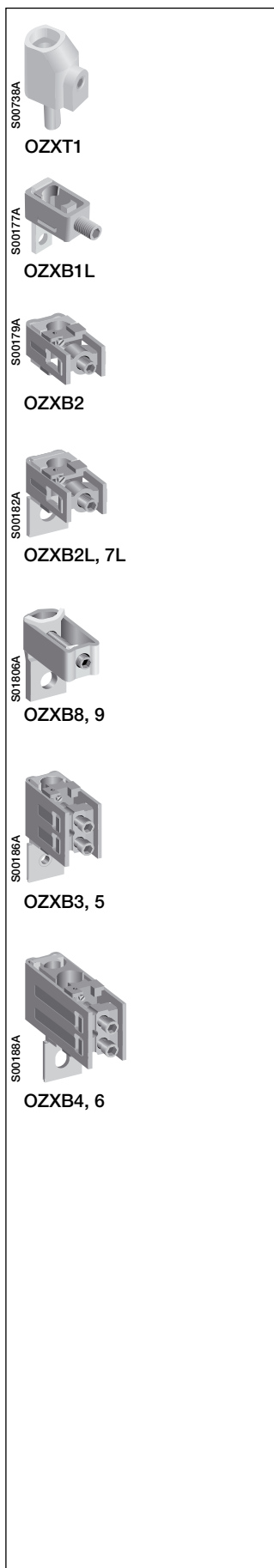


Suitable for switches	Cable cross section [mm ²]	Suitable shroud	Type	Order number	Units/type [pcs]	Delivery batch [pcs]	Weight/unit [kg]
OZXB type Al/Cu connectors made of stainless steel							
OTM160...250	10...70	OTS250_L	OZXB1L	1SCA022169R2030	3	1	0.15
	10...70	OTS250_L	OZXB1L/1	1SCA022194R0030	1	50	0.05
	25...120	OZXB2K	OZXB2	1SCA022119R7610	3	1	0.34
	25...120	OZXB2K	OZXB2/1	1SCA022194R0200	1	50	0.12
	25...120	OZXB2K	OZXB2L	1SCA022158R7750	3	1	0.43
	25...120	OZXB2K	OZXB2L/1	1SCA022194R0460	1	50	0.15
	95...185	OTS250_L	OZXB8	1SCA022744R1510	3	1	0.50
	95...185	OTS250_L	OZXB8/1	1SCA022744R1600	1	20	0.15
	95...240	OTS250_L	OZXB9	1SCA022750R3210	3	1	0.50
	95...240	OTS250_L	OZXB9/1	1SCA022750R3300	1	20	0.14
OTM315...400	25...120	OZXB2K	OZXB2L	1SCA022158R7750	3	1	0.43
	25...120	OZXB2K	OZXB2L/1	1SCA022194R0460	1	50	0.15
	95...185	OZXB3K	OZXB3	1SCA022136R8100	3	1	1.28
	95...185	OZXB3K	OZXB3/1	1SCA022194R0620	1	20	0.13
	2x(95...185)	OZXB3K	OZXB4	1SCA022137R4760	3	1	1.71
	2x(95...185)	OZXB3K	OZXB4/1	1SCA022194R0890	1	20	0.60
	120...240	OZXB5K	OZXB7	1SCA022185R0040	3	1	1.00
	120...240	OZXB5K	OZXB7/1	1SCA022194R1430	1	20	0.34
	120...240	OZXB5K	OZXB7L	1SCA022185R7130	3	1	1.20
	120...240	OZXB5K	OZXB7L/1	1SCA022194R1600	1	20	0.39
	95...185	OTS400_L	OZXB8	1SCA022744R1510	3	1	0.50
	95...185	OTS400_L	OZXB8/1	1SCA022744R1600	1	20	0.15
	95...240	OTS400_L	OZXB9	1SCA022750R3210	3	1	0.50
	95...240	OTS400_L	OZXB9/1	1SCA022750R3300	1	20	0.14
OTM630...800	120...300	OZXB4K	OZXB5	1SCA022137R2470	3	1	2.22
	120...300	OZXB4K	OZXB5/1	1SCA022194R1010	1	20	0.80
	2x(120...300)	OZXB4K	OZXB6	1SCA022137R4920	3	1	3.03
	2x(120...300)	OZXB4K	OZXB6/1	1SCA022194R1270	1	20	1.00
	120...300	OTS1600_L	OZXB3	1SCA022136R8100	3	1	1.28
OTM1000...1600	95...185	OTS1600_L	OZXB3/1	1SCA022194R0620	1	20	0.13
	2x(95...185)	OTS1600_L	OZXB4	1SCA022137R4760	3	1	1.71
	2x(95...185)	OTS1600_L	OZXB4/1	1SCA022194R0890	1	20	0.60
	120...300	OTS1600_L	OZXB5	1SCA022137R2470	3	1	2.22
	120...300	OTS1600_L	OZXB5/1	1SCA022194R1010	1	20	0.80
	2x(120...300)	OTS1600_L	OZXB6	1SCA022137R4920	3	1	3.03
	2x(120...300)	OTS1600_L	OZXB6/1	1SCA022194R1270	1	20	1.00
	120...240	OTS1600_L	OZXB7L	1SCA022185R7130	3	1	1.20
	120...240	OTS1600_L	OZXB7L/1	1SCA022194R1600	1	20	0.39
	OTM2000...2500	95...185	OTS2500_L	OZXB3	1SCA022136R8100	3	1
95...185		OTS2500_L	OZXB3/1	1SCA022194R0620	1	20	0.13
2x(95...185)		OTS2500_L	OZXB4	1SCA022137R4760	3	1	1.71
2x(95...185)		OTS2500_L	OZXB4/1	1SCA022194R0890	1	20	0.6
120...300		OTS2500_L	OZXB5	1SCA022137R2470	3	1	2.22
120...300		OTS2500_L	OZXB5/1	1SCA022194R1010	1	20	0.8
2x(120...300)		OTS2500_L	OZXB6	1SCA022137R4920	3	1	3.03
2x(120...300)		OTS2500_L	OZXB6/1	1SCA022194R1270	1	20	1.0
120...240		OTS2500_L	OZXB7L	1SCA022185R7130	3	1	1.2
120...240		OTS2500_L	OZXB7L/1	1SCA022194R1600	1	20	0.39

Connecting accessories

Ordering information

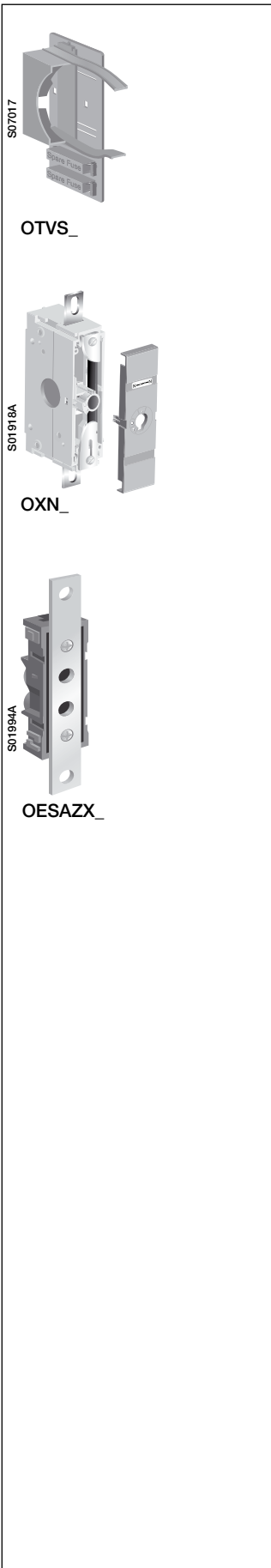
Terminal clamp sets for Al- and Cu-cables, suitable for OSM



Suitable for switches	Cable cross section [mm ²]	Suitable shroud	Type	Order number	Units/ type [pcs]	Weight [kg]	
Insulated versions							
OSM32G...63G	16...50 Al, 2.5...50 Cu		OZXT1	1SCA022469R6310	3	0.05	
			OZXT1/1	1SCA022469R6490	1	0.02	
OZXB-type Al/Cu connectors made of stainless steel							
OSM100G...160G	10...70	OSS160G_	OZXB1L	1SCA022169R2030	3	0.15	
	10...70	OSS160G_	OZXB1L/1	1SCA022194R0030	1	0.05	
	95...185	OSS160G_	OZXB8	1SCA022744R1510	3	0.5	
	95...185	OSS160G_	OZXB8/1	1SCA022744R1600	1	0.17	
OSM200	10...70	OSS200_L	OZXB1L	1SCA022169R2030	3	0.15	
	10...70	OSS200_L	OZXB1L/1	1SCA022194R0030	1	0.05	
	25...120	OZXB2K	OZXB2	1SCA022119R7610	3	0.34	
	25...120	OZXB2K	OZXB2/1	1SCA022194R0200	1	0.12	
	25...120	OZXB2K	OZXB2L	1SCA022158R7750	3	0.42	
	25...120	OZXB2K	OZXB2L/1	1SCA022194R0460	1	0.14	
	95...185	OSS200_L	OZXB8	1SCA022744R1510	3	0.50	
	95...185	OSS200_L	OZXB8/1	1SCA022744R1600	1	0.17	
OSM250	10...70	OSS200_L	OZXB1L	1SCA022169R2030	3	0.15	
	10...70	OSS200_L	OZXB1L/1	1SCA022194R0030	1	0.05	
	25...120	OZXB2K	OZXB2L	1SCA022158R7750	3	0.42	
	25...120	OZXB2K	OZXB2L/1	1SCA022194R0460	1	0.14	
	95...185	OZXB3K	OZXB3	1SCA022136R8100	3	1.30	
	95...185	OZXB3K	OZXB3/1	1SCA022194R0620	1	0.44	
	2x(95...185)	OZXB3K	OZXB4	1SCA022137R4760	3	1.70	
	2x(95...185)	OZXB3K	OZXB4/1	1SCA022194R0890	1	0.57	
	120...300	OZXB4K	OZXB5	1SCA022137R2470	3	2.30	
	120...300	OZXB4K	OZXB5/1	1SCA022194R1010	1	0.77	
	120...240	OZXB5K	OZXB7L	1SCA022185R7130	3	1.20	
	120...240	OZXB5K	OZXB7L/1	1SCA022194R1600	1	0.40	
	95...185	OSS250_L	OZXB8	1SCA022744R1510	3	0.50	
	95...185	OSS250_L	OZXB8/1	1SCA022744R1600	1	0.17	
OSM315...400	25...120	OSS400_L	OZXB2L	1SCA022158R7750	3	0.42	
	25...120	OSS400_L	OZXB2L/1	1SCA022194R0460	1	0.14	
	95...185	OZXB3K	OZXB3	1SCA022136R8100	3	1.30	
	95...185	OZXB3K	OZXB3/1	1SCA022194R0620	1	0.44	
	2x(95...185)	OZXB3K	OZXB4	1SCA022137R4760	3	1.70	
	2x(95...185)	OZXB3K	OZXB4/1	1SCA022194R0890	1	0.57	
	120...240	OZXB5K	OZXB7	1SCA022185R0040	3	1.00	
	120...240	OZXB5K	OZXB7/1	1SCA022194R1430	1	0.34	
	95...185	OSS400_L	OZXB8	1SCA022744R1510	3	0.50	
	95...185	OSS400_L	OZXB8/1	1SCA022744R1600	1	0.17	
	95...240	OSS400_L	OZXB9	1SCA022750R3210	3	0.50	
	95...240	OSS400_L	OZXB9/1	1SCA022750R3300	1	0.17	
	OSM630...800	95...185	OSS800_L	OZXB3	1SCA022136R8100	3	1.30
		95...185	OSS800_L	OZXB3/1	1SCA022194R0620	1	0.44
2x(95...185)		OSS800_L	OZXB4	1SCA022137R4760	3	1.70	
2x(95...185)		OSS800_L	OZXB4/1	1SCA022194R0890	1	0.57	
120...300		OSS800_L	OZXB5	1SCA022137R2470	3	2.30	
120...300		OSS800_L	OZXB5/1	1SCA022194R1010	1	0.77	
2x(120...300)		OSS800_L	OZXB6	1SCA022137R4920	3	3.03	
2x(120...300)		OSS800_L	OZXB6/1	1SCA022194R1270	1	1.00	
120...240		OSS800_L	OZXB7L	1SCA022185R7130	3	1.20	
120...240		OSS800_L	OZXB7L/1	1SCA022194R1600	1	0.40	
95...185		OSS800_L	OZXB8	1SCA022744R1510	3	0.50	
95...185		OSS800_L	OZXB8/1	1SCA022744R1600	1	0.17	
95...240		OSS800_L	OZXB9	1SCA022750R3210	3	0.50	
95...240		OSS800_L	OZXB9/1	1SCA022750R3300	1	0.17	
OSM1250		95...185	OTS1600_L	OZXB3	1SCA022136R8100	3	1.30
		95...185	OTS1600_L	OZXB3/1	1SCA022194R0620	1	0.44
		2x(95...185)	OTS1600_L	OZXB4	1SCA022137R4760	3	1.70
		2x(95...185)	OTS1600_L	OZXB4/1	1SCA022194R0890	1	0.57
	120...300	OTS1600_L	OZXB5	1SCA022137R2470	3	2.30	
	120...300	OTS1600_L	OZXB5/1	1SCA022194R1010	1	0.77	
	2x(120...300)	OTS1600_L	OZXB6	1SCA022137R4920	3	3.03	
	2x(120...300)	OTS1600_L	OZXB6/1	1SCA022194R1270	1	1.00	
	120...240	OTS1600_L	OZXB7L	1SCA022185R7130	3	1.20	
	120...240	OTS1600_L	OZXB7L/1	1SCA022194R1600	1	0.40	
	95...185	OTS1600_L	OZXB8	1SCA022744R1510	3	0.50	
	95...185	OTS1600_L	OZXB8/1	1SCA022744R1600	1	0.17	
	95...240	OTS1600_L	OZXB9	1SCA022750R3210	3	0.50	
	95...240	OTS1600_L	OZXB9/1	1SCA022750R3300	1	0.17	

Spare fuse storage, neutral links

Ordering information



Handle and spare fuse storage clip for OTM and OSM

Handle and two spare fuses (for motor operator) can be stored on the OTVS_. OTVS_ can be installed on the left side of the motorized switch-disconnector OTM and switch-fuse OSM_. Snap-on mounting, no tools required.

On OTM 1000...2500E_ and OSM1250, the size of the handle prevents the installation onto the switch frame. However, the handle clip can be separately installed on the panel frame and the fuse holder clip onto the switch frame.

Suitable for	Type	Order number	Units/ type [pcs]	Weight [kg]
OTM 160...250E_, OSM32G...250	OTVS1	1SCA111413R1001	1	0.02
OTM315...800E_, OSM315...1250	OTVS2	1SCA111414R1001	1	0.04

Neutral links

Max. wire	H/W/D [mm]	Mounting holes	Type	Order number	Units/ type [pcs]	Weight [kg]
-----------	---------------	-------------------	------	--------------	-------------------------	----------------

For OSM 32G...160G

Detachable, mounting onto the base plate or DIN-rail.

16 mm ² Cu	39/41/40	ø 4.2, distance 32	OSZ1	1SCA022481R3710	1	0.06
35 mm ² Cu	39/44/45	ø 4.2, distance 35	OSZ2	1SCA022481R3800	1	0.07

For OTM160...1250 and OSM100G...1250

Detachable, mounting separately on the base plate.

Suitable for	Type	Order number	Units/ type [pcs]	Weight [kg]
OTM 160...250 and OSM100G...250	OXN250	1SCA022752R9950	1	0.40
OTM 315...400 and OSM315...400	OXN400	1SCA022770R3060	1	0.70
OTM630...800	OXN800T	1SCA022829R0840	1	0.96
OSM630...800	OXN800S	1SCA022831R4880	1	1.20
OTM1000...1250	OXN1250T	1SCA104162R1001	1	2.2
OSM1250	OXN1250S	1SCA104163R1001	1	2.5

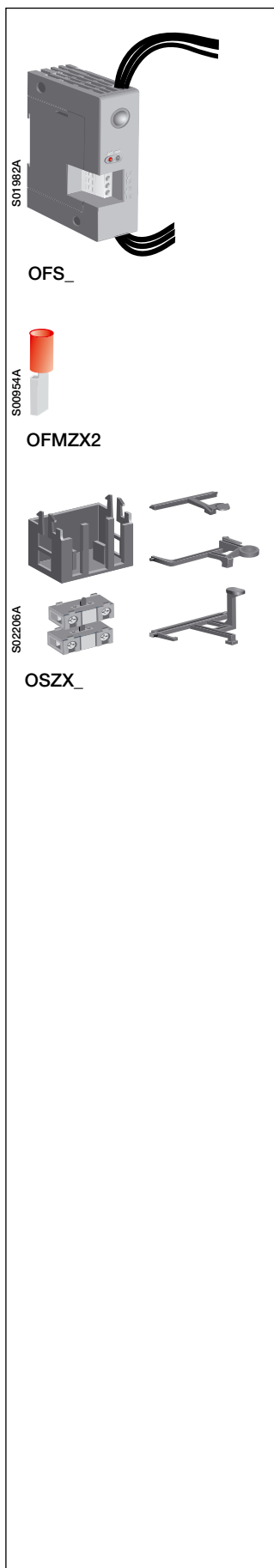
Neutral links

Mounting separately to the base plate

I _{th} [A]	Terminal size (WxD) [mm]; bolt size	Type	Order number	Units/ type [pcs]	Weight [kg]
250	12x3 M6	OESAZX162	1SCA022193R0400	1	0.12
315	20x3 M8	OESAZX164	1SCA022202R9520	1	0.10
400	25x4 M10	OESAZX165	1SCA022202R9790	1	0.12
1000	40x5 M12	OESAZX160	1SCA022186R3960	1	1.00

Blown fuse indicators

Ordering information



Electronic fuse monitor OSM32G...1250

Includes the auxiliary contacts 1NO + 1NC. More information, see brochure OFM_OFS20GB.
Mounting onto the right side of OSM motorized switch fuses or on DIN-rail or on mounting plate.

Rated voltage [Vac]	Type	Order Number	Units/ type [pcs]	Weight [kg]
100...260	OFS260	1SCA022716R0180	1	0.16
380...690	OFS690	1SCA022715R9920	1	0.16

Mounting accessories for fuse monitor

Suitable for switches	Flat terminal size [mm]	Type	Order Number	Units/ type [pcs]	Weight [kg]
Crimp terminals					
OSM	2.8 - 0.8	OFMZX2	1SCA022475R9910	6	0.01

Blown fuse indicators (DPMM) for OSM50...800

Striker type fuse is needed. See the dimensions in IEC60269-2-1, Section 1A.

Suitable for switches	Type	Order Number	Units/ type [pcs]	Weight [kg]
-----------------------	------	--------------	-------------------	-------------

OSM50GF_

Auxiliary contacts (3 x C/O in 3-pole, 4 x C/O in 4-pole) included. Ratings: I_m : 5A, AC15: 0.15A/250VAC. NEMA 5A, 125-250 VAC, 1/10 HP

for 3-pole switches	OSGD50P3	1SCA116401R1001	1	0.02
for 4-pole switches, fused neutral	OSGD50P4	1SCA115689R1001	1	0.02

OSM125GF_

Auxiliary contacts (3 x C/O in 3-pole, 4 x C/O in 4-pole) included. Ratings: I_m : 5A, AC15: 0.15A/250VAC. NEMA 5A, 125-250 VAC, 1/10 HP

for 3-pole switches	OSGD125P3	1SCA115690R1001	1	0.03
for 4-pole switches, fused neutral	OSGD125P4	1SCA115692R1001	1	0.04

OSM250D...800D

Auxiliary contacts (3xNO + 3xNC in 3-pole and 4xNO + 4xNC in 4-pole) included. See the ratings on page 41, type OA1G_, OA3G_

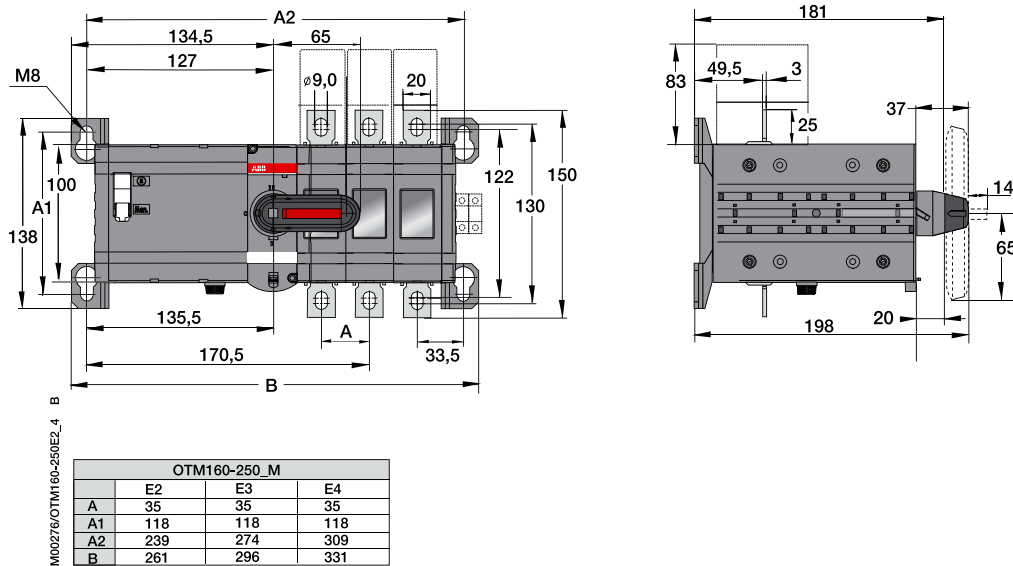
for 3-pole switches	OSZX3	1SCA101224R1001	1	0.15
for 4-pole switches, fused neutral	OSZX4	1SCA101225R1001	1	0.20

C/O = Change over contact

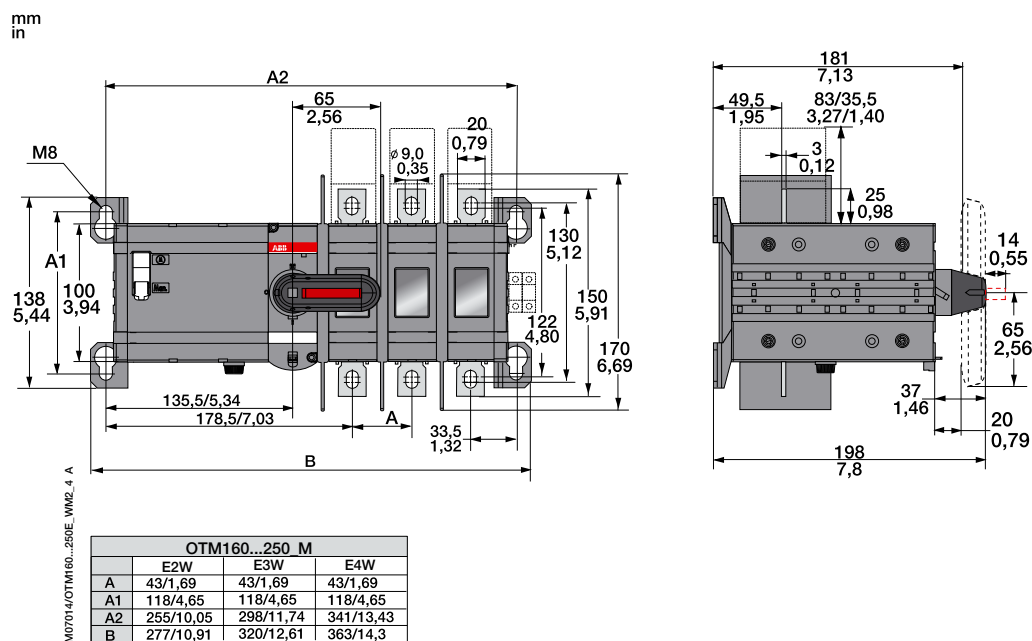
Motorized switch-disconnectors

Dimension drawings

OTM160-250E_M



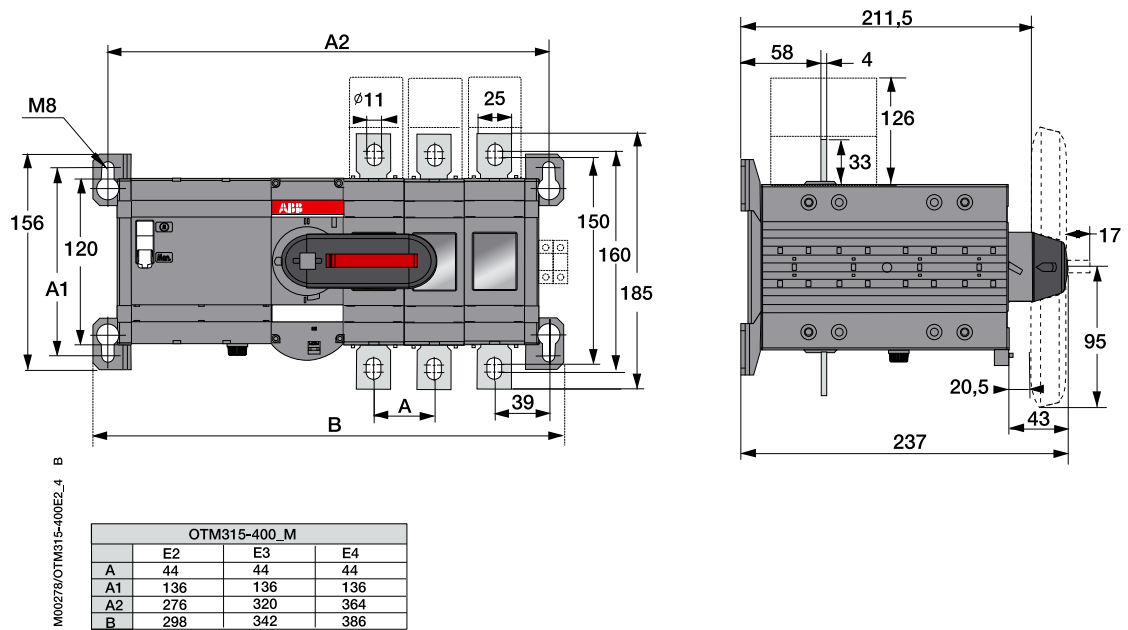
OTM160-250E_WM



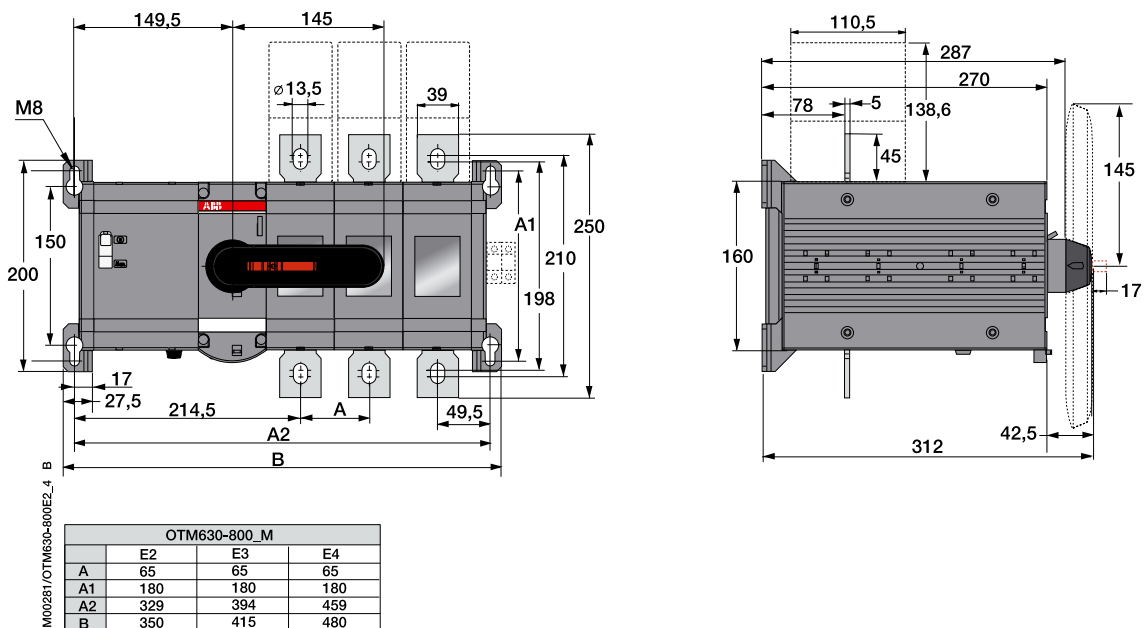
Motorized switch-disconnectors

Dimension drawings

OTM315-400E_M



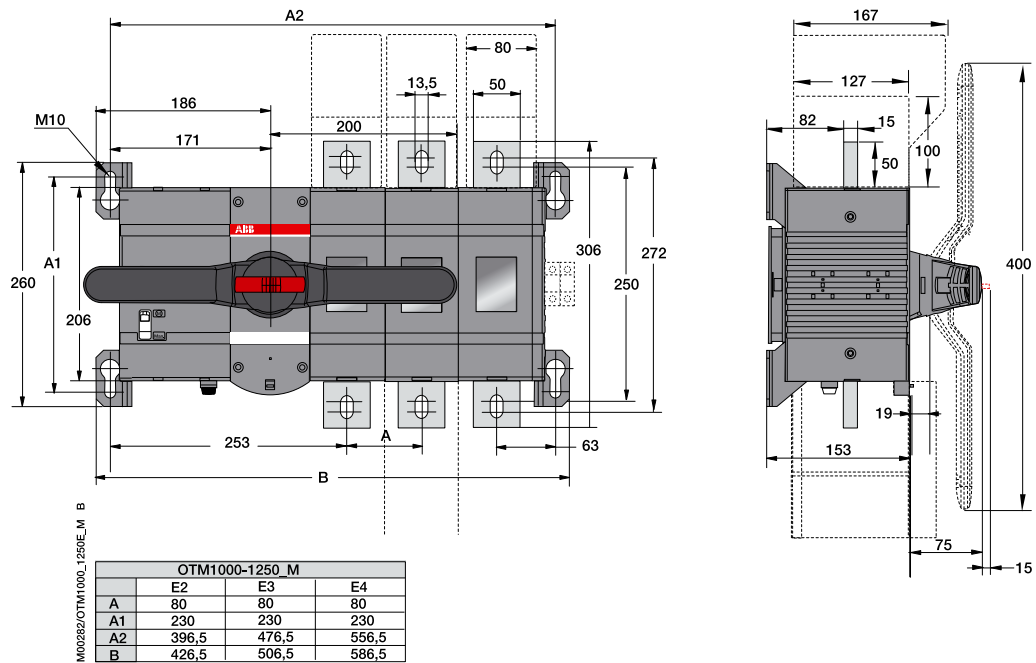
OTM630-800E_M



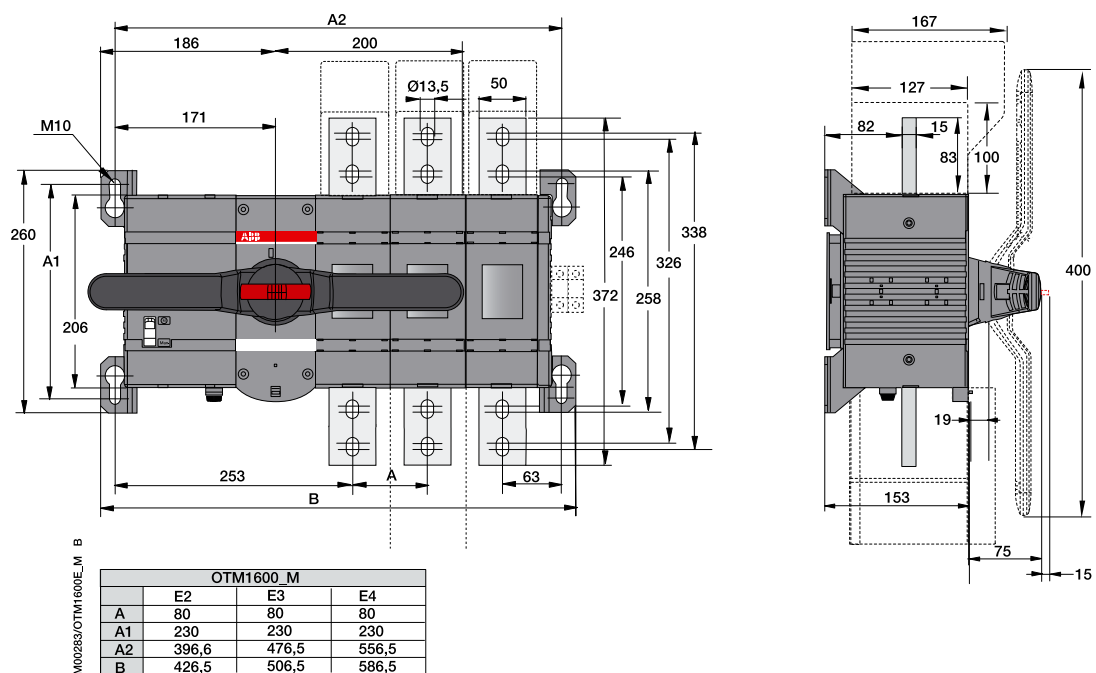
Motorized switch-disconnectors

Dimension drawings

OTM1000-1250E_M

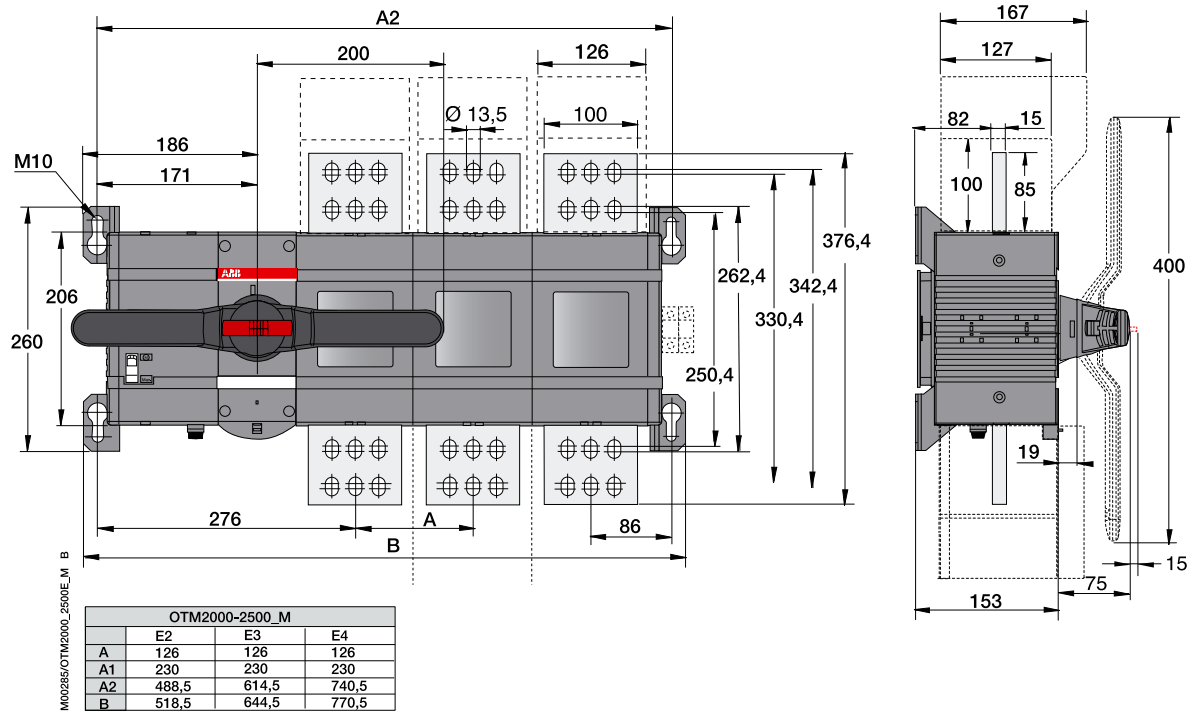


OTM1600E_M

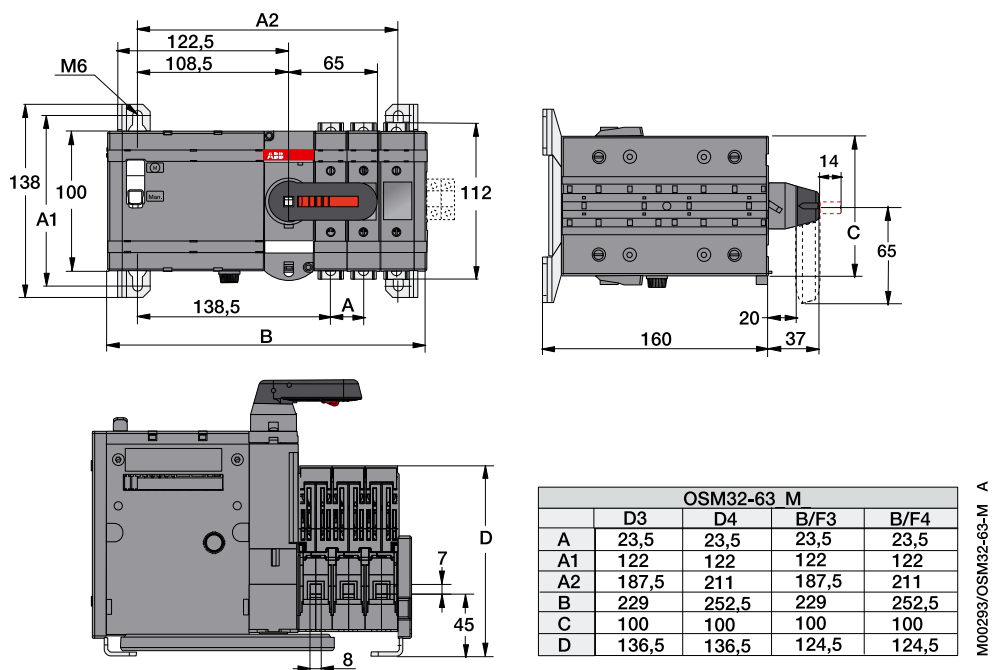


Motorized switch-disconnectors and switch fuses Dimension drawings

OTM2000-2500E_M



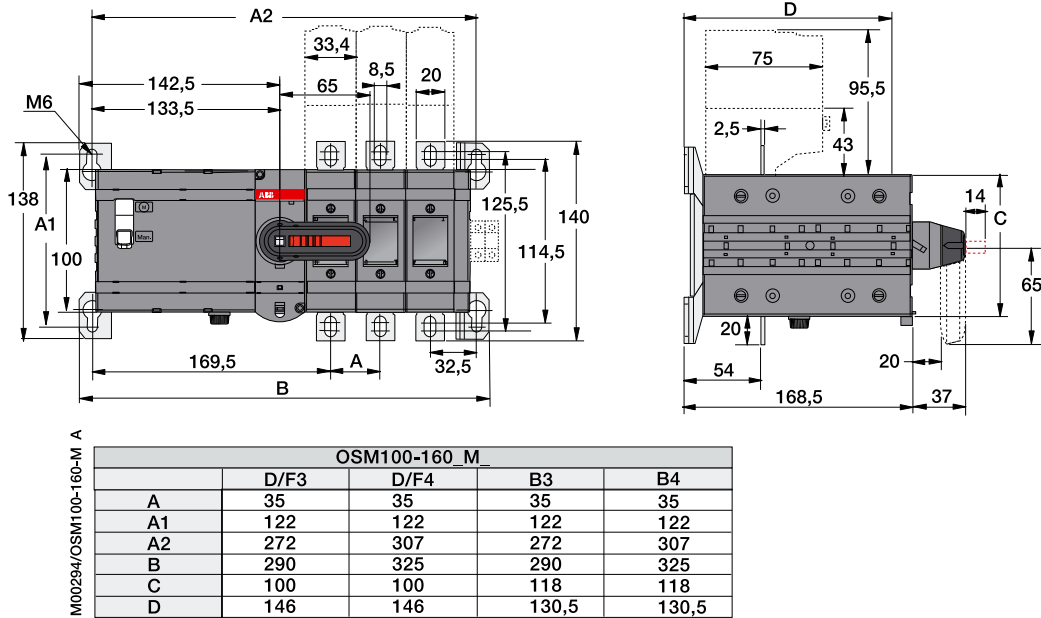
OSM32-63_M



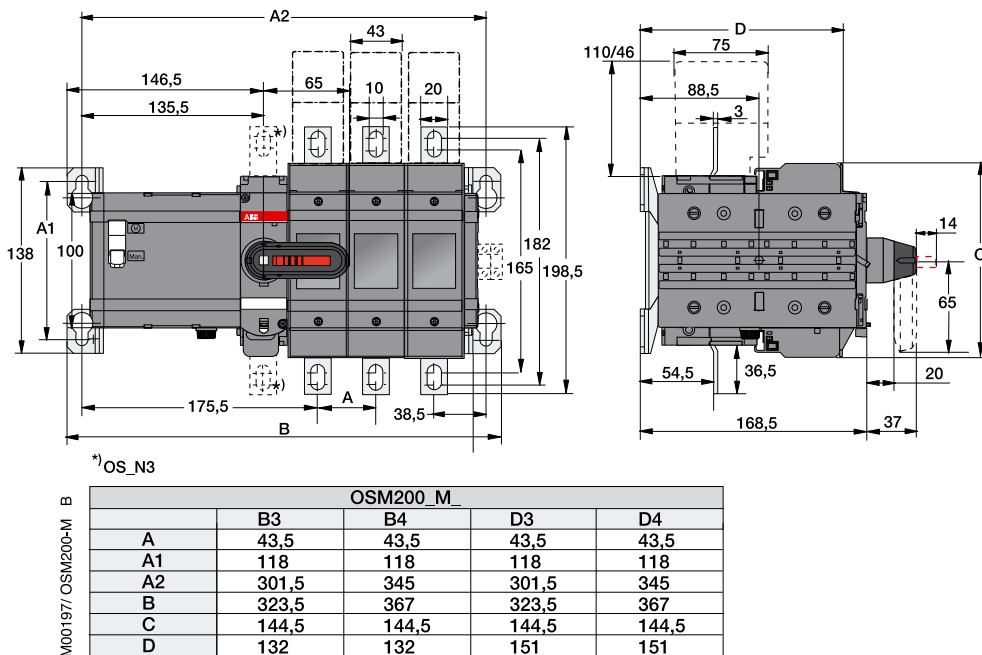
Motorized switch fuses

Dimension drawings

OSM100-160_M_

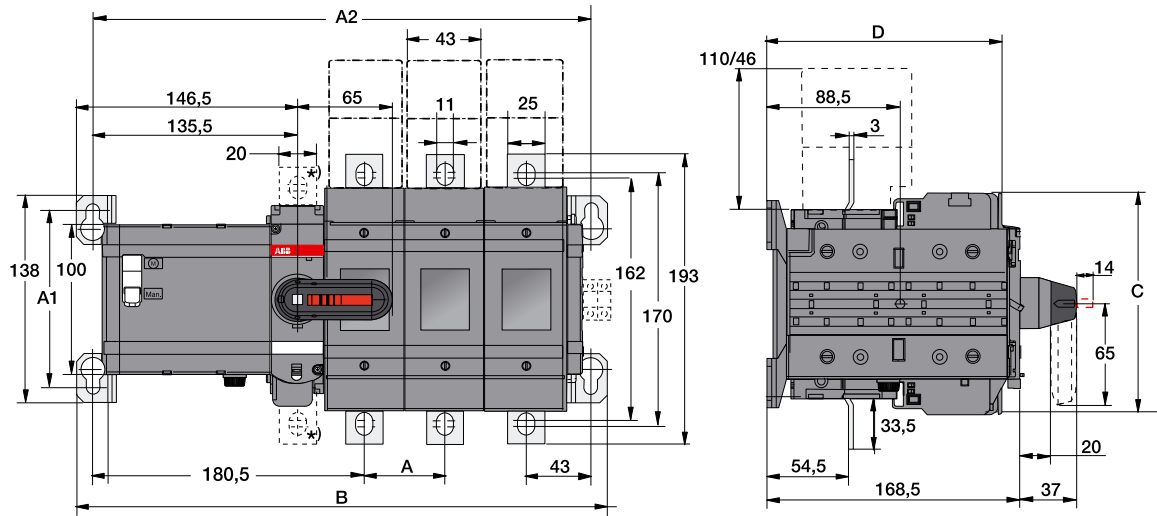


OSM200_M_



Motorized switch fuses Dimension drawings

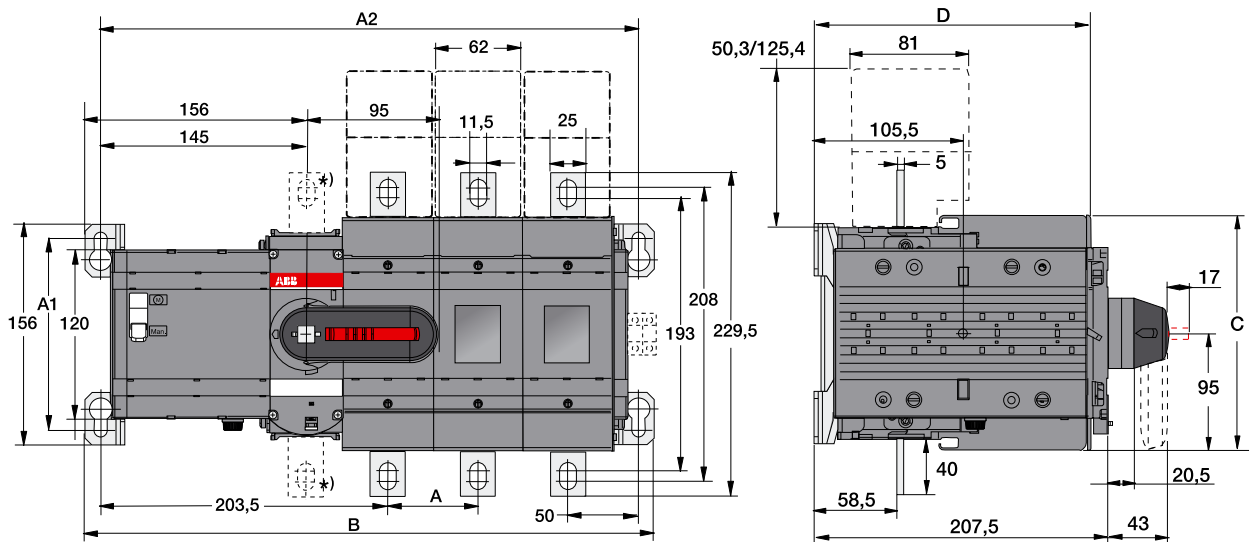
OSM250_M_



*) OS_N3

		OSM250_M_	
		D3/B3	D4/B4
M00198/OSM250-M B	A	54	54
	A1	118	118
	A2	332	386
	B	354	408
	C	148,5	148,5
	D	156	156

OSM315-400_M_



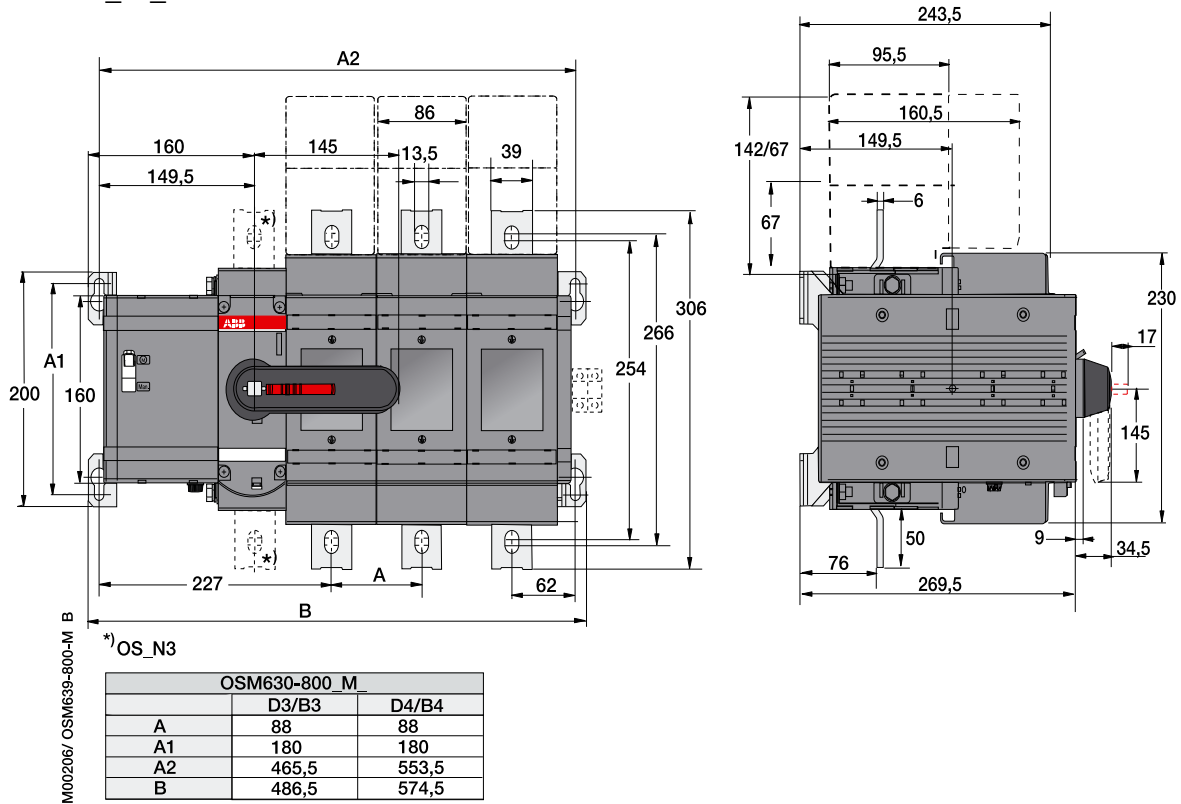
*) OS_N3

		OSM315_M_		OSM400_M_			
		B3	B4	B3	B4	D3	D4
M00199/OSM315-400-M C	A	64	64	64	64	64	64
	A1	136	136	136	136	136	136
	A2	382	446	382	446	382	446
	B	404	468	404	468	404	468
	C	194	194	194	194	166	166
	D	178,5	178,5	178,5	178,5	195,5	195,5

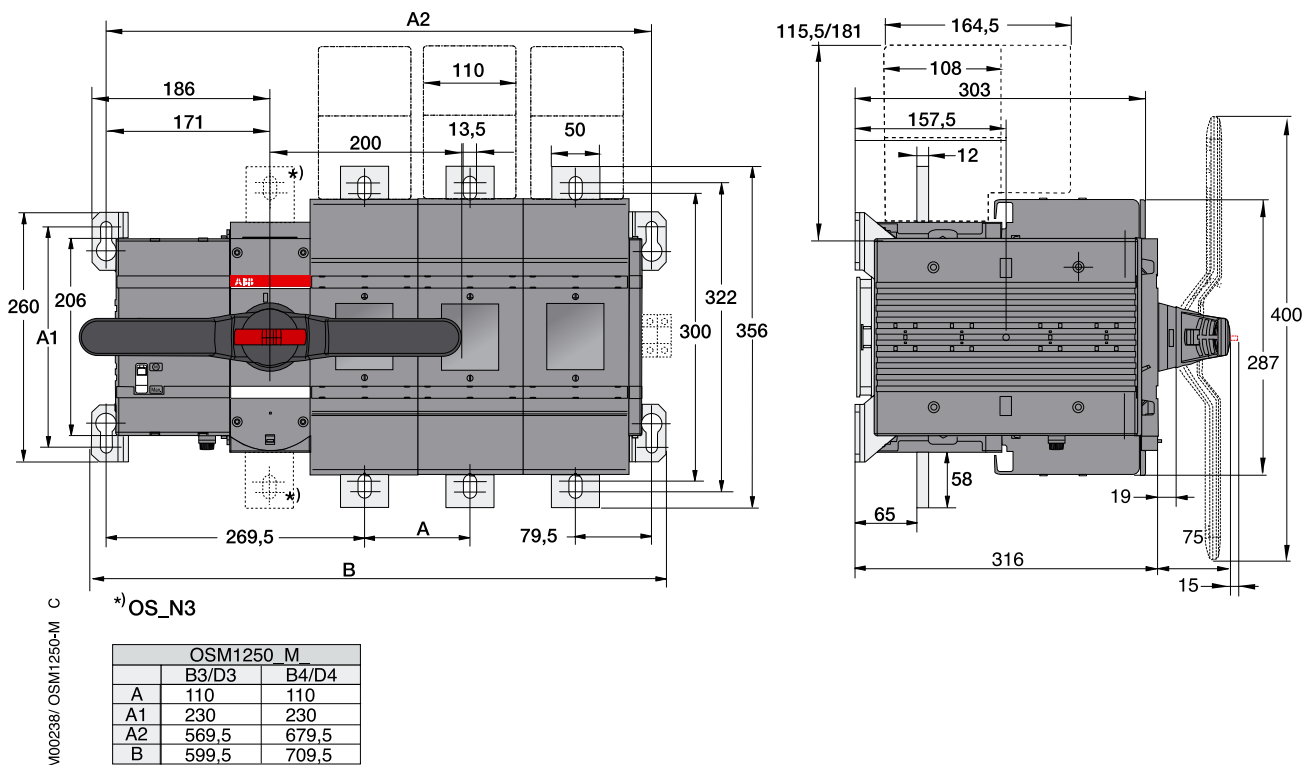
Motorized switch fuses

Dimension drawings

OSM630-800_M



OSM1250_M



Index

Type	Order number	Page	Description
OA1G10	1SCA022353R4970	20	Auxiliary contact
OA1G10AU	1SCA022436R7910	20	Auxiliary contact
OA3G01	1SCA022456R7410	20	Auxiliary contact
OA3G01AU	1SCA022819R5260	20	Auxiliary contact
OESAZX160	1SCA022186R3960	24	Neutral link
OESAZX162	1SCA022193R0400	24	Neutral link
OESAZX164	1SCA022202R9520	24	Neutral link
OESAZX165	1SCA022202R9790	24	Neutral link
OFMZK2	1SCA022475R9910	25	Crimp terminals
OFS260	1SCA022716R0180	25	Electronic fuse monitor
OFS690	1SCA022715R9920	25	Electronic fuse monitor
OSGD125P3	1SCA115690R1001	25	Blown fuse indicator (DPMM)
OSGD125P4	1SCA115692R1001	25	Blown fuse indicator (DPMM)
OSGD50P3	1SCA116401R1001	25	Blown fuse indicator (DPMM)
OSGD50P4	1SCA115689R1001	25	Blown fuse indicator (DPMM)
OSM100GB3M230C	1SCA116679R1001	18	Motorized switch fuse OSM, BS-type
OSM100GB4N1M230C	1SCA118779R1001	18	Motorized switch fuse OSM, BS-type
OSM1250B3M230C	1SCA112552R1001	18	Motorized switch fuse OSM, BS-type
OSM1250B3N3M230C	1SCA112550R1001	18	Motorized switch fuse OSM, BS-type
OSM1250B4N1M230C	1SCA118795R1001	18	Motorized switch fuse OSM, BS-type
OSM1250D3M230C	1SCA112549R1001	17	Motorized switch fuse OSM, DIN-type
OSM1250D3N3M230C	1SCA112547R1001	17	Motorized switch fuse OSM, DIN-type
OSM1250D4N2M230C	1SCA118850R1001	17	Motorized switch fuse OSM, DIN-type
OSM1250DA3M230C	1SCA112546R1001	17	Motorized switch fuse OSM, DIN-type
OSM1250DA3N3M230C	1SCA112544R1001	17	Motorized switch fuse OSM, DIN-type
OSM1250DA4N2M230C	1SCA118851R1001	17	Motorized switch fuse OSM, DIN-type
OSM125GB3M230C	1SCA116677R1001	18	Motorized switch fuse OSM, BS-type
OSM125GB4N1M230C	1SCA118780R1001	18	Motorized switch fuse OSM, BS-type
OSM125GD3M230C	1SCA116674R1001	17	Motorized switch fuse OSM, DIN-type
OSM125GD4N2M230C	1SCA118828R1001	17	Motorized switch fuse OSM, DIN-type
OSM125GF3M230C	1SCA116681R1001	18	Motorized switch fuse OSM, NFC-type
OSM125GF4N1M230C	1SCA118798R1001	18	Motorized switch fuse OSM, NFC-type
OSM160GB3M230C	1SCA116670R1001	18	Motorized switch fuse OSM, BS-type
OSM160GB4N1M230C	1SCA118781R1001	18	Motorized switch fuse OSM, BS-type
OSM160GD3M230C	1SCA116673R1001	17	Motorized switch fuse OSM, DIN-type
OSM160GD4N2M230C	1SCA118831R1001	17	Motorized switch fuse OSM, DIN-type
OSM200B3M230C	1SCA104272R1001	18	Motorized switch fuse OSM, BS-type
OSM200B3N3M230C	1SCA104323R1001	18	Motorized switch fuse OSM, BS-type
OSM200B4N1M230C	1SCA118784R1001	18	Motorized switch fuse OSM, BS-type
OSM200D3M230C	1SCA104284R1001	17	Motorized switch fuse OSM, DIN-type
OSM200D3N3M230C	1SCA104282R1001	17	Motorized switch fuse OSM, DIN-type
OSM200D4N2M230C	1SCA118836R1001	17	Motorized switch fuse OSM, DIN-type
OSM250B3M230C	1SCA104287R1001	18	Motorized switch fuse OSM, BS-type
OSM250B3N3M230C	1SCA104290R1001	18	Motorized switch fuse OSM, BS-type
OSM250B4N1M230C	1SCA118785R1001	18	Motorized switch fuse OSM, BS-type
OSM250D3M230C	1SCA104295R1001	17	Motorized switch fuse OSM, DIN-type
OSM250D3N3M230C	1SCA104297R1001	17	Motorized switch fuse OSM, DIN-type
OSM250D4N2M230C	1SCA118838R1001	17	Motorized switch fuse OSM, DIN-type
OSM315B3M230C	1SCA104303R1001	18	Motorized switch fuse OSM, BS-type
OSM315B3N3M230C	1SCA104306R1001	18	Motorized switch fuse OSM, BS-type
OSM315B4N1M230C	1SCA118788R1001	18	Motorized switch fuse OSM, BS-type
OSM32GB3M230C	1SCA116662R1001	18	Motorized switch fuse OSM, BS-type
OSM32GB4N1M230C	1SCA118775R1001	18	Motorized switch fuse OSM, BS-type
OSM32GD3M230C	1SCA116664R1001	17	Motorized switch fuse OSM, DIN-type
OSM32GD4N2M230C	1SCA118822R1001	17	Motorized switch fuse OSM, DIN-type
OSM400B3M230C	1SCA104310R1001	18	Motorized switch fuse OSM, BS-type
OSM400B3N3M230C	1SCA104312R1001	18	Motorized switch fuse OSM, BS-type
OSM400B4N1M230C	1SCA118789R1001	18	Motorized switch fuse OSM, BS-type
OSM400D3M230C	1SCA104315R1001	17	Motorized switch fuse OSM, DIN-type
OSM400D3N3M230C	1SCA104317R1001	17	Motorized switch fuse OSM, DIN-type
OSM400D4N2M230C	1SCA118842R1001	17	Motorized switch fuse OSM, DIN-type
OSM50GF3M230C	1SCA116666R1001	18	Motorized switch fuse OSM, NFC-type

Type	Order number	Page	Description
OSM50GF4N1M230C	1SCA118871R1001	18	Motorized switch fuse OSM, NFC-type
OSM630B3M230C	1SCA104516R1001	18	Motorized switch fuse OSM, BS-type
OSM630B3N3M230C	1SCA104535R1001	18	Motorized switch fuse OSM, BS-type
OSM630B4N1M230C	1SCA118791R1001	18	Motorized switch fuse OSM, BS-type
OSM630D3M230C	1SCA104518R1001	17	Motorized switch fuse OSM, DIN-type
OSM630D3N3M230C	1SCA104533R1001	17	Motorized switch fuse OSM, DIN-type
OSM630D4N2M230C	1SCA118846R1001	17	Motorized switch fuse OSM, DIN-type
OSM63GB3M230C	1SCA116657R1001	18	Motorized switch fuse OSM, BS-type
OSM63GB4N1M230C	1SCA118776R1001	18	Motorized switch fuse OSM, BS-type
OSM63GD3M230C	1SCA116660R1001	17	Motorized switch fuse OSM, DIN-type
OSM63GD4N2M230C	1SCA118865R1001	17	Motorized switch fuse OSM, DIN-type
OSM800B3M230C	1SCA104520R1001	18	Motorized switch fuse OSM, BS-type
OSM800B3N3M230C	1SCA104536R1001	18	Motorized switch fuse OSM, BS-type
OSM800B4N1M230C	1SCA118792R1001	18	Motorized switch fuse OSM, BS-type
OSM800D3M230C	1SCA104522R1001	17	Motorized switch fuse OSM, DIN-type
OSM800D3N3M230C	1SCA104534R1001	17	Motorized switch fuse OSM, DIN-type
OSM800D4N2M230C	1SCA118847R1001	17	Motorized switch fuse OSM, DIN-type
OSS1250G1L/3	1SCA107938R1001	21	Terminal shroud for OSM
OSS1250G1L/4	1SCA107940R1001	21	Terminal shroud for OSM
OSS1250G1S/3	1SCA107939R1001	21	Terminal shroud for OSM
OSS1250G1S/4	1SCA107941R1001	21	Terminal shroud for OSM
OSS160G1L/3	1SCA114764R1001	21	Terminal shroud for OSM
OSS160GG1L/4	1SCA114765R1001	21	Terminal shroud for OSM
OSS160GG1S/3	1SCA114766R1001	21	Terminal shroud for OSM
OSS160GG1S/4	1SCA114767R1001	21	Terminal shroud for OSM
OSS200G1L/3	1SCA022731R8910	21	Terminal shroud for OSM
OSS200G1L/4	1SCA022731R9040	21	Terminal shroud for OSM
OSS200G1S/3	1SCA022732R0130	21	Terminal shroud for OSM
OSS200G1S/4	1SCA022732R0050	21	Terminal shroud for OSM
OSS250G1L	1SCA022727R5080	21	Terminal shroud for OSM
OSS250G1L/3	1SCA022731R9390	21	Terminal shroud for OSM
OSS250G1L/4	1SCA022731R9470	21	Terminal shroud for OSM
OSS250G1S	1SCA022727R4940	21	Terminal shroud for OSM
OSS250G1S/3	1SCA022731R9550	21	Terminal shroud for OSM
OSS250G1S/4	1SCA022731R9630	21	Terminal shroud for OSM
OSS400G1L/3	1SCA022776R6650	21	Terminal shroud for OSM
OSS400G1L/4	1SCA022776R6730	21	Terminal shroud for OSM
OSS400G1S/3	1SCA022776R6900	21	Terminal shroud for OSM
OSS400G1S/4	1SCA022776R7030	21	Terminal shroud for OSM
OSS800G1L/3	1SCA022776R7200	21	Terminal shroud for OSM
OSS800G1L/4	1SCA022776R7380	21	Terminal shroud for OSM
OSS800G1S/3	1SCA022776R7540	21	Terminal shroud for OSM
OSS800G1S/4	1SCA022776R7460	21	Terminal shroud for OSM
OSZ1	1SCA022481R3710	24	Neutral link
OSZ2	1SCA022481R3800	24	Neutral link
OSZX3	1SCA101224R1001	25	Blown fuse indicator (DPMM)
OSZX4	1SCA101225R1001	25	Blown fuse indicator (DPMM)
OTM1000E3M230C	1SCA115364R1001	16	Motorized switch-disconnector OTM
OTM1000E4M230C	1SCA115368R1001	16	Motorized switch-disconnector OTM
OTM1250E3M230C	1SCA115365R1001	16	Motorized switch-disconnector OTM
OTM1250E4M230C	1SCA115367R1001	16	Motorized switch-disconnector OTM
OTM1600E3M230C	1SCA115366R1001	16	Motorized switch-disconnector OTM
OTM1600E4M230C	1SCA115369R1001	16	Motorized switch-disconnector OTM
OTM160E3M230C	1SCA115283R1001	16	Motorized switch-disconnector OTM
OTM160E3WM230C	1SCA115286R1001	16	Motorized switch-disconnector OTM
OTM160E4M230C	1SCA115293R1001	16	Motorized switch-disconnector OTM
OTM160E4WM230C	1SCA115295R1001	16	Motorized switch-disconnector OTM
OTM2000E3M230C	1SCA115372R1001	16	Motorized switch-disconnector OTM
OTM2000E4M230C	1SCA115374R1001	16	Motorized switch-disconnector OTM
OTM200E3M230C	1SCA115284R1001	16	Motorized switch-disconnector OTM
OTM200E3WM230C	1SCA115288R1001	16	Motorized switch-disconnector OTM
OTM200E4M230C	1SCA115292R1001	16	Motorized switch-disconnector OTM

Index

Type	Order number	Page	Description
OTM200E4WM230C	1SCA115293R1001	16	Motorized switch-disconnector OTM
OTM2500E3M230C	1SCA115373R1001	16	Motorized switch-disconnector OTM
OTM2500E4M230C	1SCA115375R1001	16	Motorized switch-disconnector OTM
OTM250E3M230C	1SCA115285R1001	16	Motorized switch-disconnector OTM
OTM250E3WM230C	1SCA115289R1001	16	Motorized switch-disconnector OTM
OTM250E4M230C	1SCA115290R1001	16	Motorized switch-disconnector OTM
OTM250E4WM230C	1SCA115297R1001	16	Motorized switch-disconnector OTM
OTM315E3M230C	1SCA115334R1001	16	Motorized switch-disconnector OTM
OTM315E4M230C	1SCA115333R1001	16	Motorized switch-disconnector OTM
OTM400E3M230C	1SCA115333R1001	16	Motorized switch-disconnector OTM
OTM400E4M230C	1SCA115336R1001	16	Motorized switch-disconnector OTM
OTM630E3M230C	1SCA115354R1001	16	Motorized switch-disconnector OTM
OTM630E4M230C	1SCA115357R1001	16	Motorized switch-disconnector OTM
OTM800E3M230C	1SCA115355R1001	16	Motorized switch-disconnector OTM
OTM800E4M230C	1SCA115356R1001	16	Motorized switch-disconnector OTM
OTS1600G1L	1SCA106134R1001	21	Terminal shroud for OSM
OTS1600G1L/3	1SCA022871R9510	21	Terminal shroud for OTM
OTS1600G1L/4	1SCA022871R9780	21	Terminal shroud for OTM
OTS1600G1S	1SCA102667R1001	21	Terminal shroud for OSM
OTS1600G1S/3	1SCA022871R9600	21	Terminal shroud for OTM
OTS1600G1S/4	1SCA022871R9860	21	Terminal shroud for OTM
OTS2500G1L/3	1SCA107261R1001	21	Terminal shroud for OTM
OTS2500G1L/4	1SCA107262R1001	21	Terminal shroud for OTM
OTS2500G1S/3	1SCA107260R1001	21	Terminal shroud for OTM
OTS2500G1S/4	1SCA107271R1001	21	Terminal shroud for OTM
OTS250G1L	1SCA022715R5340	21	Terminal shroud for OSM
OTS250G1L/3	1SCA022731R8150	21	Terminal shroud for OTM
OTS250G1L/4	1SCA022731R8230	21	Terminal shroud for OTM
OTS250G1S	1SCA022715R5260	21	Terminal shroud for OSM
OTS250G1S/3	1SCA022731R8310	21	Terminal shroud for OTM
OTS250G1S/4	1SCA022731R8400	21	Terminal shroud for OTM
OTS400G1L/3	1SCA022736R8840	21	Terminal shroud for OTM
OTS400G1L/4	1SCA022736R9490	21	Terminal shroud for OTM
OTS400G1S/3	1SCA022736R9060	21	Terminal shroud for OTM
OTS400G1S/4	1SCA022736R9650	21	Terminal shroud for OTM
OTS800G1L	1SCA022776R7710	21	Terminal shroud for OSM
OTS800G1L/3	1SCA022776R7890	21	Terminal shroud for OTM
OTS800G1L/4	1SCA022776R7970	21	Terminal shroud for OTM
OTS800G1S	1SCA022776R8010	21	Terminal shroud for OSM
OTS800G1S/3	1SCA022776R8190	21	Terminal shroud for OTM
OTS800G1S/4	1SCA022776R8270	21	Terminal shroud for OTM
OTVS1	1SCA111413R1001	24	Handle and spare fuse storage clip
OTVS2	1SCA111414R1001	24	Handle and spare fuse storage clip
OXN1250S	1SCA104163R1001	24	Neutral link
OXN1250T	1SCA104162R1001	24	Neutral link
OXN250	1SCA022752R9950	24	Neutral link
OXN400	1SCA022770R3060	24	Neutral link
OXN800S	1SCA022831R4880	24	Neutral link
OXN800T	1SCA022829R0840	24	Neutral link
OZXB1L	1SCA022169R2030	22	Terminal clamp set for Al- and Cu-cable
OZXB1L	1SCA022169R2030	23	Terminal clamp set for Al- and Cu-cable
OZXB1L/1	1SCA022194R0030	22	Terminal clamp set for Al- and Cu-cable
OZXB1L/1	1SCA022194R0030	23	Terminal clamp set for Al- and Cu-cable
OZXB2	1SCA022119R7610	23	Terminal clamp set for Al- and Cu-cable
OZXB2	1SCA022119R7610	22	Terminal clamp set for Al- and Cu-cable
OZXB2/1	1SCA022194R0200	22	Terminal clamp set for Al- and Cu-cable
OZXB2/1	1SCA022194R0200	23	Terminal clamp set for Al- and Cu-cable
OZXB2K	1SCA022264R0010	21	Terminal shroud for terminal clamp
OZXB2K/1	1SCA022644R6700	21	Terminal shroud for terminal clamp
OZXB2L	1SCA022158R7750	22	Terminal clamp set for Al- and Cu-cable
OZXB2L	1SCA022158R7750	23	Terminal clamp set for Al- and Cu-cable
OZXB2L/1	1SCA022194R0460	22	Terminal clamp set for Al- and Cu-cable

Type	Order number	Page	Description
OZXB2L/1	1SCA022194R0460	23	Terminal clamp set for Al- and Cu-cable
OZXB3	1SCA022136R8100	22	Terminal clamp set for Al- and Cu-cable
OZXB3	1SCA022136R8100	23	Terminal clamp set for Al- and Cu-cable
OZXB3/1	1SCA022194R0620	22	Terminal clamp set for Al- and Cu-cable
OZXB3/1	1SCA022194R0620	23	Terminal clamp set for Al- and Cu-cable
OZXB3K	1SCA022264R0440	21	Terminal shroud for terminal clamp
OZXB3K/1	1SCA022644R6880	21	Terminal shroud for terminal clamp
OZXB4	1SCA022137R4760	22	Terminal clamp set for Al- and Cu-cable
OZXB4	1SCA022137R4760	23	Terminal clamp set for Al- and Cu-cable
OZXB4/1	1SCA022194R0890	22	Terminal clamp set for Al- and Cu-cable
OZXB4/1	1SCA022194R0890	23	Terminal clamp set for Al- and Cu-cable
OZXB4K	1SCA022199R2850	21	Terminal shroud for terminal clamp
OZXB4K/1	1SCA022644R6960	21	Terminal shroud for terminal clamp
OZXB5	1SCA022137R2470	22	Terminal clamp set for Al- and Cu-cable
OZXB5	1SCA022137R2470	23	Terminal clamp set for Al- and Cu-cable
OZXB5/1	1SCA022194R1010	22	Terminal clamp set for Al- and Cu-cable
OZXB5/1	1SCA022194R1010	23	Terminal clamp set for Al- and Cu-cable
OZXB5K	1SCA022283R8040	21	Terminal shroud for terminal clamp
OZXB5K/1	1SCA022644R7000	21	Terminal shroud for terminal clamp
OZXB6	1SCA022137R4920	22	Terminal clamp set for Al- and Cu-cable
OZXB6	1SCA022137R4920	23	Terminal clamp set for Al- and Cu-cable
OZXB6/1	1SCA022194R1270	22	Terminal clamp set for Al- and Cu-cable
OZXB6/1	1SCA022194R1270	23	Terminal clamp set for Al- and Cu-cable
OZXB7	1SCA022185R0040	22	Terminal clamp set for Al- and Cu-cable
OZXB7	1SCA022185R0040	23	Terminal clamp set for Al- and Cu-cable
OZXB7/1	1SCA022194R1430	22	Terminal clamp set for Al- and Cu-cable
OZXB7/1	1SCA022194R1430	23	Terminal clamp set for Al- and Cu-cable
OZXB7L	1SCA022185R7130	22	Terminal clamp set for Al- and Cu-cable
OZXB7L	1SCA022185R7130	23	Terminal clamp set for Al- and Cu-cable
OZXB7L/1	1SCA022194R1600	22	Terminal clamp set for Al- and Cu-cable
OZXB7L/1	1SCA022194R1600	23	Terminal clamp set for Al- and Cu-cable
OZXB8	1SCA022744R1510	22	Terminal clamp set for Al- and Cu-cable
OZXB8	1SCA022744R1510	23	Terminal clamp set for Al- and Cu-cable
OZXB8/1	1SCA022744R1600	22	Terminal clamp set for Al- and Cu-cable
OZXB8/1	1SCA022744R1600	23	Terminal clamp set for Al- and Cu-cable
OZXB9	1SCA022750R3210	22	Terminal clamp set for Al- and Cu-cable
OZXB9	1SCA022750R3210	23	Terminal clamp set for Al- and Cu-cable
OZXB9/1	1SCA022750R3300	22	Terminal clamp set for Al- and Cu-cable
OZXB9/1	1SCA022750R3300	23	Terminal clamp set for Al- and Cu-cable
OZXT1	1SCA022469R6310	23	Terminal clamp set for Al- and Cu-cable
OZXT1/1	1SCA022469R6490	23	Terminal clamp set for Al- and Cu-cable

Contact us

ABB Oy

Low Voltage Switches

P.O. Box 622

FI-65101 Vaasa, Finland

Phone: +358 10 22 11

Fax: +358 10 22 45708

E-Mail: firstname.surname@fi.abb.com

www.abb.com

The technical data and dimensions are valid at the time of printing. We reserve the right to subsequent alterations.

