



Breakers and Switches

Quick selection tool
Accessories for change-over switches,
motorized change-over switches and
automatic transfer switches

Quick selection tool

Accessories for change-over switches, motorized change-over switches and automatic transfer switches

Contents

- 4 Change-over switches for DIN-rail and base mounting
OT16...125F_C, 3 and 4 -pole
- 8 Change-over switches for base mounting
OT160...800E_C, 3 and 4 -pole
- 12 Change-over switches for base mounting
OT1000...2500E_C, 3 and 4 -pole
- 14 Motorized change-over switches for DIN-rail and base
mounting OTM40...125F_C, 3 and 4 -pole
- 16 Motorized change-over switches for base mounting
OTM160...800E_C, 3 and 4-pole
- 18 Motorized change-over switches for base mounting
OTM1000...2500E_C, 3 and 4 -pole
- 20 Automatic transfer switches for base mounting
OTM160...250E_C_D_, 3 and 4-pole
- 22 Automatic transfer switches for base mounting
OTM315...1600E_C_D_, 3 and 4-pole
- 24 Dimension drawings

Quick selection tool

Change-over switches for DIN-rail and base mounting OT16...125F_C, 3 and 4 -pole



Change-over switch, 3-pole	OT16F3C
Order number	1SCA104816R1001
Change-over switch, 4-pole	OT16F4C
Order number	1SCA104831R1001
Number of poles	3 4

Handles

	Handle length [mm]	Type	Order number		
Handle knobs, no shaft needed					
Black, padlockable	40	OHBS2	1SCA109089R1001	•	•
Red/yellow, padlockable	40	OHRS2	1SCA108598R1001	•	•
Black, padlockable	37	OHBS12	1SCA108252R1001	•	•
Red/yellow, padlockable	37	OHRS12	1SCA108253R1001	•	•
Black	39	OHBS3	1SCA108320R1001	•	•
Red/yellow	39	OHRS3	1SCA108667R1001	•	•
Black, padlockable	57.5	OHBS11	1SCA109092R1001		
Black	72	OHBS9	1SCA108665R1001		
Red/yellow	72	OHRS9	1SCA108666R1001		
Selector type handles					
Black, padlockable, releasable door lock IP65		OHBS2AJE011	1SCA105220R1001	•	•
Red/yellow, padlockable, releasable door lock IP65		OHYS2AJE011	1SCA105301R1001	•	•
Pistol type handles, IP65					
Black, padlockable, releasable door lock	45	OHBS2AJE011	1SCA022594R7110	•	•
Red/yellow, padlockable, releasable door lock	45	OHYS2AJE011	1SCA022817R2210	•	•

Shafts

	Shaft length [mm]	Type	Order number		
For selector type handles					
Shaft dia. 6 mm	85	OXS6X85	1SCA101647R1001	•	•
Shaft dia. 6 mm	105	OXS6X105	1SCA108043R1001	•	•
Shaft dia. 6 mm	120	OXS6X120	1SCA101654R1001	•	•
Shaft dia. 6 mm	130	OXS6X130	1SCA101655R1001	•	•
For pistol type handles					
Shaft dia. 6 mm	150	OSP6X150	1SCA022295R5600	•	•
Shaft dia. 6 mm	170	OSP6X170	1SCA108224R1001	•	•
Shaft dia. 6 mm	265	OSP6X265	1SCA108225R1001	•	•
Shaft dia. 6 mm	400	OSP6X400	1SCA108226R1001	•	•

Auxiliary contacts

	Mounting	Type	Order number		
1 NC	left*	OA1G01	1SCA022353R4890	•	•
1NC	right*	OA8G01	1SCA022744R2240	•	•
1NO	left*	OA7G10	1SCA022673R1140	•	•
1 NO	right*	OA1G10	1SCA022353R4970	•	•
1 NO+ 1 NC	left/right	OA2G11	1SCA022379R8100		

* Max 2 blocks / side



OT25F3C

OT40F3C

OT63F3C

OT80F3C

OT100F3C

OT125F3C

1SCA104863R1001

1SCA104913R1001

1SCA105338R1001

1SCA105402R1001

1SCA105008R1001

1SCA105037R1001

OT25F4C

OT40F4C

OT63F4C

OT80F4C

OT100F4C

OT125F4C

1SCA104877R1001

1SCA104934R1001

1SCA105369R1001

1SCA105418R1001

1SCA105019R1001

1SCA105054R1001

3 4

3 4

3 4

3 4

3 4

3 4

• •
• •
• •
• •
• •
• •

• •
• •
• •
• •
• •
• •

• •
• •
• •
• •
• •
• •

• •
• •
• •
• •
• •
• •

• •
• •
• •

• •
• •
• •

• •
• •

• •
• •

• •
• •

• •
• •

• •
• •

• •
• •

• •
• •

• •
• •

• •
• •

• •
• •

• •
• •

• •
• •

• •
• •
• •
• •

• •
• •
• •
• •

• •
• •
• •
• •

• •
• •
• •
• •

• •
• •
• •
• •

• •
• •
• •
• •

• •
• •
• •
• •

• •
• •
• •
• •

• •
• •
• •
• •

• •
• •
• •
• •

• •
• •
• •
• •

• •
• •
• •
• •

• •
• •
• •
• •

• •
• •
• •
• •

• •
• •
• •
• •

• •
• •
• •
• •

• •
• •
• •
• •

• •
• •
• •
• •

•

•

•

•

Quick selection tool

Change-over switches for DIN-rail and base mounting OT16...125F_C, 3 and 4 -pole



Change-over switch, 3-pole	OT16F3C
Order number	1SCA104816R1001
Change-over switch, 4-pole	OT16F4C
Order number	1SCA104831R1001
Number of poles	3 4

Terminal shrouds

	Type	Order number		
For 3-pole				
For OT16...40F_C	OTS40T3	1SCA105317R1001	•	•
For OT63...80F_C	OTS63T3	1SCA022353R6750		
For OT100...125F_C	OTS125T3	1SCA022379R9680		
For fourth pole (single pole)				
For OT16...40F4C	OTS40T1	1SCA105314R1001		•
For OT63...80F4C	OTS63T1	1SCA022353R6910		
For OT100...125F4C	OTS125T1	1SCA022379R9760		

Fourth poles, for three-pole switches

Simultaneous function with main contacts

For OT16...40F_C	OTPS40FPN1*	1SCA105001R1001	•	
For OT16...40F_C	OTPS40FPN2**	1SCA105000R1001	•	
For OT63...80F_C	OTPS80FP	1SCA105461R1001		
For OT100...125F_C	OTPS125FP	1SCA105099R1001		

* N1= On the left side of the switch, ** N2= On the right side of the switch

Parallel connection kits

6 mm ² (fine stranded), 10 mm ² (stranded)	OZXA33	1SCA022685R0310	•	
6 mm ² (fine stranded), 10 mm ² (stranded)	OZXA32	1SCA022683R4110		•
25 mm ²	OZXA38	1SCA022785R2140		
25 mm ²	OZXA39	1SCA022790R3820		
50 mm ²	OZXA40	1SCA022790R3910		
50 mm ²	OZXA41	1SCA022790R4040		



OT25F3C

OT40F3C

OT63F3C

OT80F3C

OT100F3C

OT125F3C

1SCA104863R1001

1SCA104913R1001

1SCA105338R1001

1SCA105402R1001

1SCA105008R1001

1SCA105037R1001

OT25F4C

OT40F4C

OT63F4C

OT80F4C

OT100F4C

OT125F4C

1SCA104877R1001

1SCA104934R1001

1SCA105369R1001

1SCA105418R1001

1SCA105019R1001

1SCA105054R1001

3 4

3 4

3 4

3 4

3 4

3 4

• •

• •

• •

• •

• •

• •

•

•

•

•

•

•

•

•

•

•

•

•

•

•

•

•

•

•

•

•

•

•

•

•

Quick selection tool

Change-over switches for base mounting

OT160...800E_C, 3 and 4 -pole



Change-over switch, 3-pole	OT160E03CP
Order number	1SCA022772R6510
Change-over switch, 4-pole	OT160E04CP
Order number	1SCA022775R9440
Number of poles	3 4

Handles

	Handle length [mm]	Type	Order number		
Direct mounted handles					
Black, padlockable	65	OTV250ECK	1SCA022783R0090	•	•
Black, padlockable	95	OTV400ECK	1SCA022783R0170		
Black, padlockable	125	OTV800ECK	1SCA022797R2470		
Pistol type handles, IP65					
Black, padlockable, releasable door lock	65	OHB65J6E011	1SCA022383R2480	•	•
Red/yellow, padlockable, releasable door lock	65	OHY65J6E011	1SCA022779R1840	•	•
Black, padlockable, releasable door lock	95	OHB95J12E011	1SCA022621R0760		
Red/yellow, padlockable, releasable door lock	95	OHY95J12E011	1SCA022621R0920		
Black, padlockable, releasable door lock	125	OHB125J12E011	1SCA022589R3340		
Red/yellow, padlockable, releasable door lock	125	OHY125J12E011	1SCA022615R1650		

Shafts

	Shaft length [mm]	Type	Order number		
For pistol type handles					
Shaft dia. 6 mm	90	EXP6X90	1SCA022064R1180	•	•
Shaft dia. 6 mm	130	EXP6X130	1SCA022057R0570	•	•
Shaft dia. 6 mm	161	EXP6X161	1SCA022067R1760	•	•
Shaft dia. 6 mm	210	EXP6X210	1SCA022295R6080	•	•
Shaft dia. 6 mm	290	EXP6X290	1SCA022042R6370	•	•
Shaft dia. 6 mm	360	EXP6X360	1SCA022042R6530	•	•
Shaft dia. 12 mm	107	EXP12X107	1SCA022029R9750		
Shaft dia. 12 mm	148	EXP12X148	1SCA022658R5570		
Shaft dia. 12 mm	166	EXP12X166	1SCA022325R7100		
Shaft dia. 12 mm	185	EXP12X185	1SCA022325R6710		
Shaft dia. 12 mm	250	EXP12X250	1SCA022325R6980		
Shaft dia. 12 mm	280	EXP12X280	1SCA022137R5140		
Shaft dia. 12 mm	325	EXP12X325	1SCA022042R5810		
Shaft dia. 12 mm	395	EXP12X395	1SCA022042R5990		
Shaft dia. 12 mm	465	EXP12X465	1SCA022042R6020		

Auxiliary contacts

	Mounting	Type	Order number		
1 NC	right*	OA3G01	1SCA022456R7410	•	•
1 NO	right*	OA1G10	1SCA022353R4970	•	•

* Max. 4 auxiliary contacts/switch



OT200E03CP

OT250E03CP

OT315E03CP

OT400E03CP

OT630E03CP

OT800E03CP

1SCA022771R7520

1SCA022771R3450

1SCA022772R6780

1SCA022771R8500

1SCA022785R6050

1SCA022785R6300

OT200E04CP

OT250E04CP

OT315E04CP

OT400E04CP

OT630E04CP

OT800E04CP

1SCA022771R7280

1SCA022775R4640

1SCA022775R7150

1SCA022771R8680

1SCA022785R6130

1SCA022785R6210

3 4

3 4

3 4

3 4

3 4

3 4

• •

• •

• •

• •

• •

• •

• •

• •

• •

• •

• •

• •

• •

• •

• •

• •

• •

• •

• •

• •

• •

• •

• •

• •

• •

• •

• •

• •

• •

• •

• •

• •

• •

• •

• •

• •

• •

• •

• •

• •

• •

• •

Quick selection tool

Change-over switches for base mounting

OT160...800E_C, 3 and 4 -pole



Change-over switch, 3-pole	OT160E03CP
Order number	1SCA022772R6510
Change-over switch, 4-pole	OT160E04CP
Order number	1SCA022775R9440
Number of poles	3 4

Terminal shrouds

	Description	Type	Order number	
For single pole				
OT160...250E_C	Long type	OTS250G1L/3	1SCA022731R8150	•
OT160...250E_C	Short type	OTS250G1S/3	1SCA022731R8310	•
OT160...250E_C	Long type	OTS250G1L/4	1SCA022731R8230	•
OT160...250E_C	Short type	OTS250G1S/4	1SCA022731R8400	•
OT315...400E_C	Long type	OTS400G1L/3	1SCA022736R8840	
OT315...400E_C	Short type	OTS400G1S/3	1SCA022736R9060	
OT315...400E_C	Long type	OTS400G1L/4	1SCA022736R9490	
OT315...400E_C	Short type	OTS400G1S/4	1SCA022736R9650	
OT630...800E_C	Long type	OTS800G1L/3	1SCA022776R7890	
OT630...800E_C	Short type	OTS800G1S/3	1SCA022776R8190	
OT630...800E_C	Long type	OTS800G1L/4	1SCA022776R7970	
OT630...800E_C	Short type	OTS800G1S/4	1SCA022776R8270	

Bridging bars

3 pcs /type		OTZC13	1SCA022767R6910	•
4 pcs /type		OTZC14	1SCA022767R7040	•
3 pcs /type		OTZC23	1SCA022767R7120	
4 pcs /type		OTZC24	1SCA022767R7210	
3 pcs /type		OTZC33	1SCA022785R7020	
4 pcs /type		OTZC34	1SCA022785R7110	

Reversing bars

2 pcs /type		OTZR1	1SCA100352R1001	• •
2 pcs /type		OTZR2	1SCA104647R1001	
2 pcs /type		OTZR3	1SCA100355R1001	



OT200E03CP

OT250E03CP

OT315E03CP

OT400E03CP

OT630E03CP

OT800E03CP

1SCA022771R7520

1SCA022771R3450

1SCA022772R6780

1SCA022771R8500

1SCA022785R6050

1SCA022785R6300

OT200E04CP

OT250E04CP

OT315E04CP

OT400E04CP

OT630E04CP

OT800E04CP

1SCA022771R7280

1SCA022775R4640

1SCA022775R7150

1SCA022771R8680

1SCA022785R6130

1SCA022785R6210

3 4

3 4

3 4

3 4

3 4

3 4

•

•

•

•

•

•

•

•

•

•

•

•

•

•

•

•

•

•

•

•

•

•

•

•

•

•

•

•

•

•

•

•

•

•

•

•

•

•

•

•

•

•

Quick selection tool

Change-over switches for base mounting

OT1000...2500E_C, 3 and 4 -pole

Change-over switch, 3-pole

Order number

Change-over switch, 4-pole

Order number

Number of poles

Handles

	Handle / shaft length [mm]	Type	Order number
Direct mounted handles			
Black, padlockable	274	OTV1000ECK	1SCA107481R1001
Pistol type handles, IP65			
Black, padlockable, releasable door lock	274	OHB274J12E011	1SCA122306R1001
Black, padlockable, releasable door lock	2x200	OHB200J12PE011	1SCA022873R4230
Red/yellow, padlockable, releasable door lock	2x200	OHY200J12PE011	1SCA104686R1001

Shafts

Shaft dia. 12 mm	166	EXP12X166	1SCA022325R7100
Shaft dia. 12 mm	250	EXP12X250	1SCA022325R6980
Shaft dia. 12 mm	325	EXP12X325	1SCA022042R5810
Shaft dia. 12 mm	395	EXP12X395	1SCA022042R5990
Shaft dia. 12 mm	465	EXP12X465	1SCA022042R6020

Auxiliary contacts

	Mounting / description	Type	Order number
1 NC	right*	OA3G01	1SCA022456R7410
1 NO	right*	OA1G10	1SCA022353R4970

* Max. 4 auxiliary contacts/switch

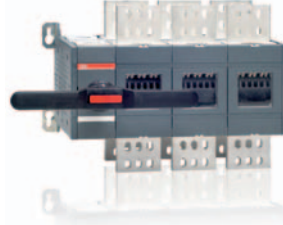
Terminal shrouds

For single pole

OT1000...1600E_C	Long type	OTS1600G1L/3	1SCA022871R9510
OT1000...1600E_C	Short type	OTS1600G1S/3	1SCA022871R9600
OT1000...1600E_C	Long type	OTS1600G1L/4	1SCA022871R9780
OT1000...1600E_C	Short type	OTS1600G1S/4	1SCA022871R9860
OT2000...2500E_C	Long type	OTS2500G1L/3	1SCA107261R1001
OT2000...2500E_C	Short type	OTS2500G1S/3	1SCA107260R1001
OT2000...2500E_C	Long type	OTS2500G1L/4	1SCA107262R1001
OT2000...2500E_C	Short type	OTS2500G1S/4	1SCA107271R1001

Bridging bars

3 pcs /type	OTZC43	1SCA022868R0710
4 pcs /type	OTZC44	1SCA022868R0800
3 pcs /type	OTZC53	1SCA022868R0980
4 pcs /type	OTZC54	1SCA022868R1010
3 pcs /type	OTZC63	1SCA022868R1100
4 pcs /type	OTZC64	1SCA022868R1360



OT1000E03CP

1SCA022872R1680

OT1000E04CP

1SCA022872R1500

3 4

OT1250E03CP

1SCA022872R0790

OT1250E04CP

1SCA022872R1250

3 4

OT1600E03CP

1SCA022872R1840

OT1600E04CP

1SCA022872R2310

3 4

OT2000E03CP

1SCA103908R1001

OT2000E04CP

1SCA103912R1001

3 4

OT2500E03CP

1SCA105615R1001

OT2500E04CP

1SCA103906R1001

3 4

• •

• •

• •

• •

• •

• •

• •

• •

• •

• •

• •

• •

• •

• •

• •

• •

• •

• •

• •

• •

• •

• •

• •

• •

• •

• •

• •

• •

• •

• •

• •

• •

• •

• •

• •

• •

• •

• •

• •

• •

• •

• •

• •

• •

• •

• •

• •

• •

• •

• •

• •

• •

• •

• •

• •

•

•

•

•

•

•

•

•

•

•

•

•

•

•

•

•

•

•

•

•

•

•

•

•

•

•

•

•

•

•

•

•

•

•

•

•

•

•

Quick selection tool

Motorized change-over switches for DIN-rail and base mounting OTM40...125F_C, 3 and 4 -pole

Motorized change-over switch, 3-pole

Order number

Motorized change-over switch, 4-pole

Order number

Number of poles

Auxiliary contacts

	Mounting	Type	Order number
1 NC	left*	OA1G01	1SCA022353R4890
1 NC	right*	OA8G01	1SCA022744R2240
1 NO	left*	OA7G10	1SCA022673R1140
1 NO	right*	OA1G10	1SCA022353R4970
1 NO+ 1 NC	left/right **	OA2G11	1SCA022379R8100

* Max 2

** Max 2 per side

Terminal shrouds

For 3-pole	OTS125T3	1SCA022379R9680
For fourth pole (single pole)	OTS125T1	1SCA022379R9760

Fourth poles, for three-pole switches

Simultaneous function with main contacts

For OTM40F3C_	OTPS60FP	1SCA111009R1001
For OTM63...125F3C_	OTPS125FP	1SCA105099R1001

Parallel connection kits

2.5...25/2x2.5...16 mm ²	OMZC003	1SCA121324R1001
2.5...25/2x2.5...16 mm ²	OMZC004	1SCA121325R1001
10...70 mm ²	OMZC03	1SCA117037R1001
10...70 mm ²	OMZC04	1SCA117038R1001



OTM40F3CMA230V

OTM63F3CMA230V

OTM80F3CMA230V

OTM100F3CMA230V

OTM125F3CMA230V

1SCA120096R1001

1SCA120095R1001

1SCA120093R1001

1SCA120071R1001

1SCA120070R1001

OTM40F4CMA230V

OTM63F4CMA230V

OTM80F4CMA230V

OTM100F4CMA230V

OTM125F4CMA230V

1SCA120102R1001

1SCA120101R1001

1SCA120100R1001

1SCA120098R1001

1SCA120097R1001

3 4

3 4

3 4

3 4

3 4

• •
• •
• •
• •
• •

• •
• •
• •
• •
• •

• •
• •
• •
• •
• •

• •
• •
• •
• •
• •

• •
• •
• •
• •
• •

• •
•

• •
•

• •
•

• •
•

• •
•

•

•

•

•

•

•

•

•

•

•

•

•

•

•

•

•

•

Quick selection tool

Motorized change-over switches for base mounting OTM160...800E_C, 3 and 4 -pole



Motorized change-over switch, 3-pole	OTM160E3CM230C
Order number	1SCA022845R8610
Motorized change-over switch, 4-pole	OTM160E4CM230C
Order number	1SCA022848R1510
Number of poles	3 4

Auxiliary contacts

	Mounting	Type	Order number		
1 NC	right*	OA3G01	1SCA022456R7410	•	•
1 NO	right*	OA1G10	1SCA022353R4970	•	•

* Max. 4 auxiliary contacts/switch

Terminal shrouds

	Description	Type	Order number		
For single pole					
OTM160...250, 3 pcs /type	Long type	OTS250G1L/3	1SCA022731R8150	•	
OTM160...250, 3 pcs /type	Short type	OTS250G1S/3	1SCA022731R8310	•	
OTM160...250, 4 pcs /type	Long type	OTS250G1L/4	1SCA022731R8230		•
OTM160...250, 4 pcs /type	Short type	OTS250G1S/4	1SCA022731R8400		•
OTM315...400, 3 pcs /type	Long type	OTS400G1L/3	1SCA022736R8840		
OTM315...400, 3 pcs /type	Short type	OTS400G1S/3	1SCA022736R9060		
OTM315...400, 4 pcs /type	Long type	OTS400G1L/4	1SCA022736R9490		
OTM315...400, 4 pcs /type	Short type	OTS400G1S/4	1SCA022736R9650		
OTM630...800, 3 pcs /type	Long type	OTS800G1L/3	1SCA022776R7890		
OTM630...800, 3 pcs /type	Short type	OTS800G1S/3	1SCA022776R8190		
OTM630...800, 4 pcs /type	Long type	OTS800G1L/4	1SCA022776R7970		
OTM630...800, 4 pcs /type	Short type	OTS800G1S/4	1SCA022776R8270		

Bridging bars

3 pcs /type		OTZC13	1SCA022767R6910	•	
4 pcs /type		OTZC14	1SCA022767R7040		•
3 pcs /type		OTZC23	1SCA022767R7120		
4 pcs /type		OTZC24	1SCA022767R7210		
3 pcs /type		OTZC33	1SCA022785R7020		
4 pcs /type		OTZC34	1SCA022785R7110		

Reversing bars

2 pcs /type		OTZR1	1SCA100352R1001	•	•
2 pcs /type		OTZR2	1SCA104647R1001		
2 pcs /type		OTZR3	1SCA100355R1001		



OTM200E3CM230C

1SCA022845R8960

OTM250E3CM230C

1SCA022845R9260

OTM315E3CM230C

1SCA022847R1210

OTM400E3CM230C

1SCA022847R1630

OTM630E3CM230C

1SCA103567R1001

OTM800E3CM230C

1SCA103570R1001

OTM200E4CM230C

1SCA022846R1590

OTM250E4CM230C

1SCA022846R1910

OTM315E4CM230C

1SCA022847R2870

OTM400E4CM230C

1SCA022847R3250

OTM630E4CM230C

1SCA022873R1990

OTM800E4CM230C

1SCA022872R8340

3 4

3 4

3 4

3 4

3 4

3 4

• •
• •

• •
• •

• •
• •

• •
• •

• •
• •

• •
• •

•
•

•
•

•
•

•
•

•
•

•
•

•
•

•
•

•
•

•
•

•
•

•
•

•
•

•
•

•
•

•
•

•
•

•
•

•
•

•
•

•
•

•
•

•
•

•
•

• •

• •

• •

• •

• •

• •

Quick selection tool

Motorized change-over switches for base mounting OTM1000...2500E_C, 3 and 4 -pole

Motorized change-over switch, 3-pole

Order number

Motorized change-over switch, 4-pole

Order number

Number of poles

Auxiliary contacts

	Mounting	Type	Order number
1 NC	right*	OA3G01	1SCA022456R7410
1 NO	right*	OA1G10	1SCA022353R4970

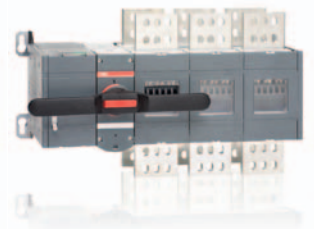
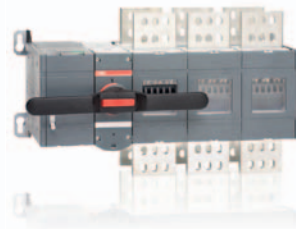
* Max. 4 auxiliary contacts/switch

Terminal shrouds

	Description	Type	Order number
For single pole			
OTM1000...1600, 3 pcs /type	Long type	OTS1600G1L/3	1SCA022871R9510
OTM1000...1600, 3 pcs /type	Short type	OTS1600G1S/3	1SCA022871R9600
OTM1000...1600, 4 pcs /type	Long type	OTS1600G1L/4	1SCA022871R9780
OTM1000...1600, 4 pcs /type	Short type	OTS1600G1S/4	1SCA022871R9860
OTM2000...2500, 3 pcs /type	Long type	OTS2500G1L/3	1SCA107261R1001
OTM2000...2500, 3 pcs /type	Short type	OTS2500G1S/3	1SCA107260R1001
OTM2000...2500, 4 pcs /type	Long type	OTS2500G1L/4	1SCA107262R1001
OTM2000...2500, 4 pcs /type	Short type	OTS2500G1S/4	1SCA107271R1001

Bridging bars

3 pcs /type		OTZC43	1SCA022868R0710
4 pcs /type		OTZC44	1SCA022868R0800
3 pcs /type		OTZC53	1SCA022868R0980
4 pcs /type		OTZC54	1SCA022868R1010
3 pcs /type		OTZC63	1SCA022868R1100
4 pcs /type		OTZC64	1SCA022868R1360



OTM1000E3CM230C

OTM1250E3CM230C

OTM1600E3CM230C

OTM2000E3CM230C

OTM2500E3CM230C

1SCA112677R1001

1SCA112676R1001

1SCA112678R1001

1SCA112709R1001

1SCA112710R1001

OTM1000E4CM230C

OTM1250E4CM230C

OTM1600E4CM230C

OTM2000E4CM230C

OTM2500E4CM230C

1SCA112703R1001

1SCA112702R1001

1SCA112704R1001

1SCA112712R1001

1SCA112713R1001

3 4

3 4

3 4

3 4

3 4

• •
• •

• •
• •

• •
• •

• •
• •

• •
• •

• •

• •

• •

• •

• •

•

•

•

•

•

•

•

•

•

•

•

•

•

•

•

•

•

•

•

•

•

•

•

•

Quick selection tool

Automatic transfer switches for base mounting OTM160...250E_C_D_, 3 and 4 -pole

Automatic transfer switch, 2D/4-pole, 8D/3pole

Order number

Automatic transfer switch, 3D and 8D/4-pole

Order number

Automatic transfer switch/extended phase distance, 2D/4-pole, 8D/3pole

Order number

Automatic transfer switch/extended phase distance, 3D and 8D/4-pole

Order number

Automatic control unit/code

Number of poles

Auxiliary contacts

	Mounting	Type	Order number
1 NC	right*	OA3G01	1SCA022456R7410
1 NO	right*	OA1G10	1SCA022353R4970

* Max. 4 auxiliary contacts/switch

Terminal shrouds

	Description	Type	Order number
For single pole			
OTM160...250, 3 pcs /type	Long type	OTS250G1L/3	1SCA022731R8150
OTM160...250, 3 pcs /type	Short type	OTS250G1S/3	1SCA022731R8310
OTM160...250, 4 pcs /type	Long type	OTS250G1L/4	1SCA022731R8230
OTM160...250, 4 pcs /type	Short type	OTS250G1S/4	1SCA022731R8400

Bridging bars

3 pcs /type		OTZC13	1SCA022767R6910
4 pcs /type		OTZC14	1SCA022767R7040

Cover plate

OTM_C2D/3D/8D		OMZC2	1SCA101001R1001
---------------	--	-------	-----------------



OTM160E4C2D230C

1SCA106230R1001

OTM160E3C8D230C

1SCA101017R1001

OTM200E4C2D230C

1SCA106671R1001

OTM200E3C8D230C

1SCA101018R1001

OTM250E4C2D230C

1SCA101016R1001

OTM250E3C8D230C

1SCA101019R1001

OTM160E4C3D230C

1SCA106305R1001

OTM160E4C8D230C

1SCA101020R1001

OTM200E4C3D230C

1SCA106309R1001

OTM200E4C8D230C

1SCA101021R1001

OTM250E4C3D230C

1SCA106313R1001

OTM250E4C8D230C

1SCA101022R1001

OTM160E4WC2D230C

1SCA101033R1001

OTM160E3WC8D230C

1SCA101036R1001

OTM200E4WC2D230C

1SCA101034R1001

OTM200E3WC8D230C

1SCA101037R1001

OTM250E4WC2D230C

1SCA101035R1001

OTM250E3WC8D230C

1SCA101038R1001

OTM160E4WC3D230C

1SCA106306R1001

OTM160E4WC8D230C

1SCA101039R1001

OTM200E4WC3D230C

1SCA106310R1001

OTM200E4WC8D230C

1SCA101040R1001

OTM250E4WC3D230C

1SCA106314R1001

OTM250E4WC8D230C

1SCA101041R1001

2D/3D

4

8D 8D

3 4

2D/3D

4

8D 8D

3 4

2D/3D

4

8D 8D

3 4

•
•

• •
• •

•
•

• •
• •

•
•

• •
• •

•
•

•
•

•
•

•
•

•
•

•
•

•
•

•
•

•
•

•
•

•
•

•
•

•
•

•
•

•
•

•
•

• •
• •

•
•

• •
• •

•
•

• •
• •

Quick selection tool

Automatic transfer switches for base mounting OTM315...1600E_C_D_, 3 and 4 -pole



Automatic transfer switch, 2D/4-pole, 8D/3pole	OTM315E4C2D230C
Order number	1SCA101059R1001
Automatic transfer switch, 3D and 8D/4-pole	OTM315E4C3D230C
Order number	1SCA106317R1001
Automatic transfer switch, 2D/4-pole, 8D/3pole	OTM315E3C8D230C
Order number	1SCA101062R1001
Automatic transfer switch, 3D and 8D/4-pole	OTM315E4C8D230C
Order number	1SCA101063R1001
Automatic control unit/code	8D 2D/3D/8D
Number of poles	3 4

Auxiliary contacts

	Mounting	Type	Order number		
1 NC	right*	OA3G01	1SCA022456R7410	•	•
1 NO	right*	OA1G10	1SCA022353R4970	•	•

* Max. 4 auxiliary contacts/switch

Terminal shrouds

	Description	Type	Order number		
For single pole					
OTM315...400, 3 pcs /type	Long type	OTS400G1L/3	1SCA022736R8840	•	
OTM315...400, 3 pcs /type	Short type	OTS400G1S/3	1SCA022736R9060	•	
OTM315...400, 4 pcs /type	Long type	OTS400G1L/4	1SCA022736R9490		•
OTM315...400, 4 pcs /type	Short type	OTS400G1S/4	1SCA022736R9650		•
OTM630...800, 3 pcs /type	Long type	OTS800G1L/3	1SCA022776R7890		
OTM630...800, 3 pcs /type	Short type	OTS800G1S/3	1SCA022776R8190		
OTM630...800, 4 pcs /type	Long type	OTS800G1L/4	1SCA022776R7970		
OTM630...800, 4 pcs /type	Short type	OTS800G1S/4	1SCA022776R8270		
OTM1000...1600, 3 pcs /type	Long type	OTS1600G1L/3	1SCA022871R9510		
OTM1000...1600, 3 pcs /type	Short type	OTS1600G1S/3	1SCA022871R9600		
OTM1000...1600, 4 pcs /type	Long type	OTS1600G1L/4	1SCA022871R9780		
OTM1000...1600, 4 pcs /type	Short type	OTS1600G1S/4	1SCA022871R9860		

Bridging bars

3 pcs /type		OTZC23	1SCA022767R7120	•	
4 pcs /type		OTZC24	1SCA022767R7210		•
3 pcs /type		OTZC33	1SCA022785R7020		
4 pcs /type		OTZC34	1SCA022785R7110		
3 pcs /type		OTZC43	1SCA022868R0710		
4 pcs /type		OTZC44	1SCA022868R0800		
3 pcs /type		OTZC53	1SCA022868R0980		
4 pcs /type		OTZC54	1SCA022868R1010		

Cover plate

OTM_C2D/3D/8D_		OMZC2	1SCA101001R1001	•	•
----------------	--	-------	-----------------	---	---



OTM400E4C2D230C 1SCA101060R1001	OTM630E4C2D230C 1SCA108434R1001	OTM800E4C2D230C 1SCA108439R1001	OTM1000E4C2D230C 1SCA112858R1001	OTM1250E4C2D230C 1SCA112857R1001	OTM1600E4C2D230C 1SCA112854R1001
OTM400E4C3D230C 1SCA106318R1001	OTM630E4C3D230C 1SCA108726R1001	OTM800E4C3D230C 1SCA108728R1001	OTM1000E4C3D230C 1SCA112852R1001	OTM1250E4C3D230C 1SCA112851R1001	OTM1600E4C3D230C 1SCA112848R1001
OTM400E4C8D230C 1SCA101064R1001	OTM630E3C8D230C 1SCA108452R1001	OTM800E3C8D230C 1SCA108454R1001	OTM1000E3C8D230C 1SCA112868R1001	OTM1250E3C8D230C 1SCA112862R1001	OTM1600E3C8D230C 1SCA112866R1001
OTM400E4C8D230C 1SCA101064R1001	OTM630E4C8D230C 1SCA108453R1001	OTM800E4C8D230C 1SCA108455R1001	OTM1000E4C8D230C 1SCA112861R1001	OTM1250E4C8D230C 1SCA112864R1001	OTM1600E4C8D230C 1SCA112867R1001
8D 2D/3D/8D 3 4	8D 2D/3D/8D 3 4	8D 2D/3D/8D 3 4	8D 2D/3D/8D 3 4	8D 2D/3D/8D 3 4	8D 2D/3D/8D 3 4

• • • • • • • • • • • •

• • • • • • • • • • • •

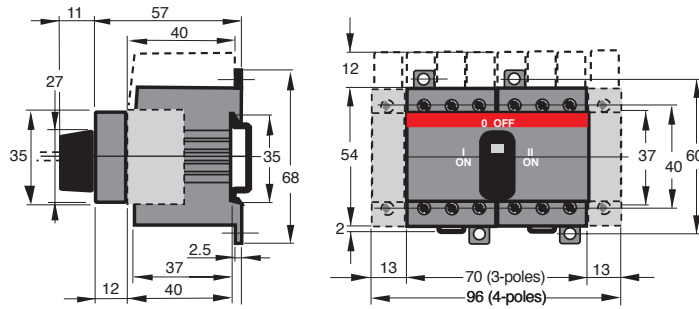
• • • • • • • • • • • •

• • • • • • • • • • • •

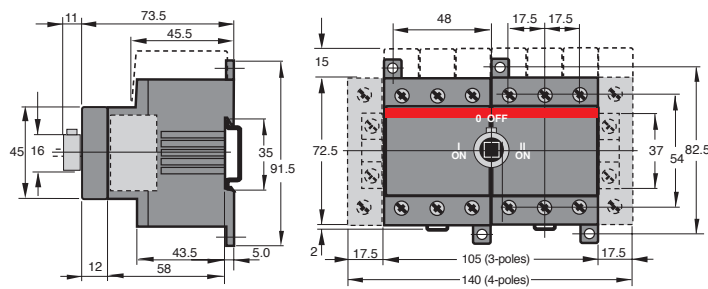
Dimension drawings

Change-over switches

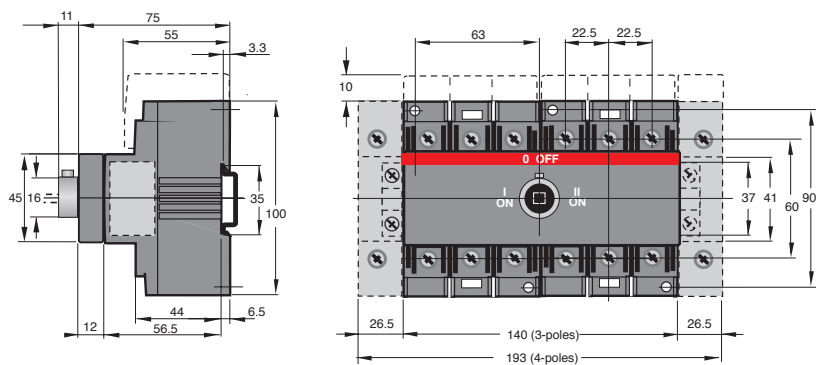
OT16...40F3C/F4C



OT63...80F3C/F4C



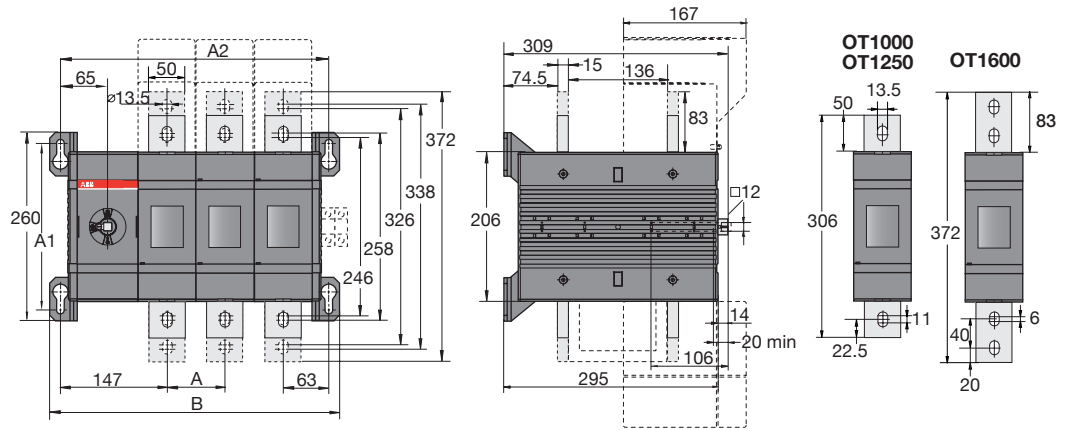
OT100...125F3C/F4C



Dimension drawings Change-over switches

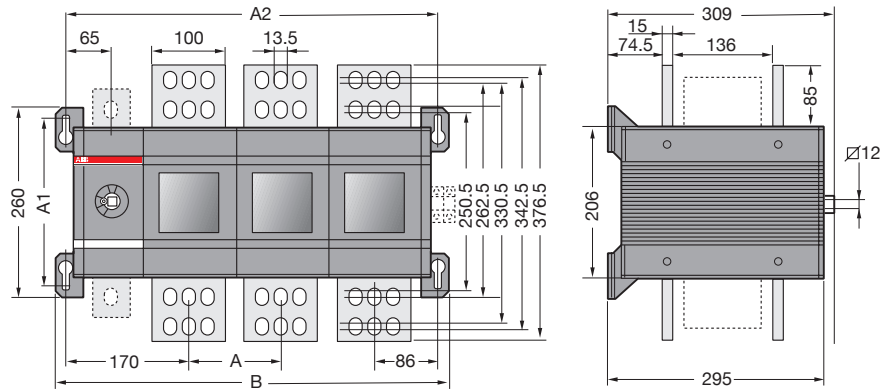
OT1000...1600E03/E04C

OT1000...1600E03/E04C			
[mm]	E02	E03	E04
A	80	80	80
A1	230	230	230
A2	290	370	450
B	320	400	480



OT2000...2500E03/E04C

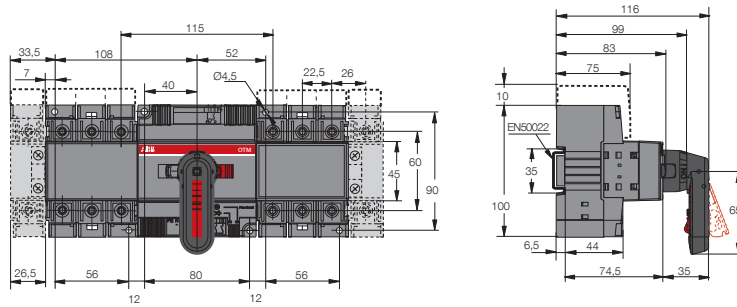
OT2000...2500E03/E04C		
[mm]	E03	E04
A	126	126
A1	230	230
A2	508	634
B	538	664



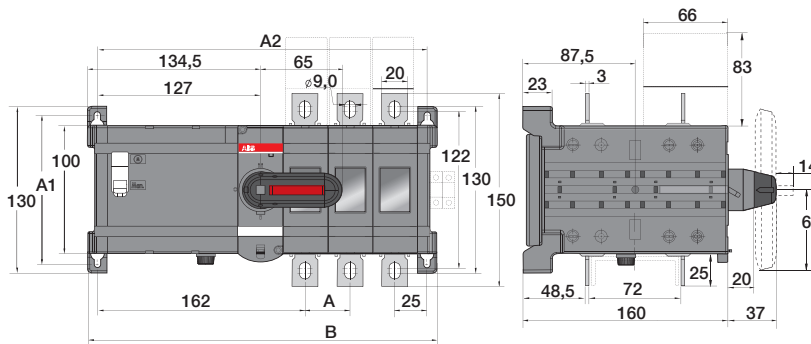
Dimension drawings

Motorized change-over switches

OTM40...125F3/4_CM



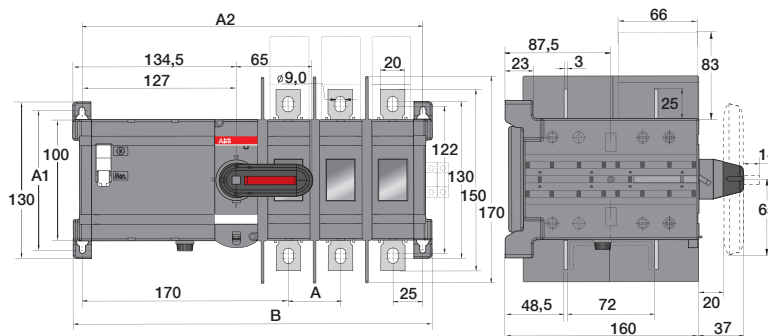
OTM160...250E2/3/4CM



M00111 / OTM160-250E_C_M_E

OTM160...250_C_M				
[mm]	E2	E3	E4	
A	35	35	35	
A1	116	116	116	
A2	223	258	293	
B	238	273	308	

OTM160...250E2/3/4WCM



M00115 / OTM160-250E_WC_M_E

OTM160...250_WCM				
[mm]	E2	E3	E4	
A	43	43	43	
A1	116	116	116	
A2	239	282	325	
B	254	297	340	

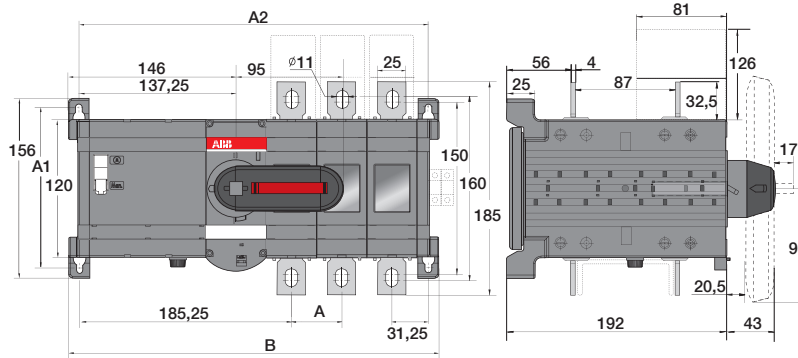
Dimension drawings

Motorized change-over switches

OTM315...400E2/3/4CM

M00113 / OTM315-400E_C_M_F

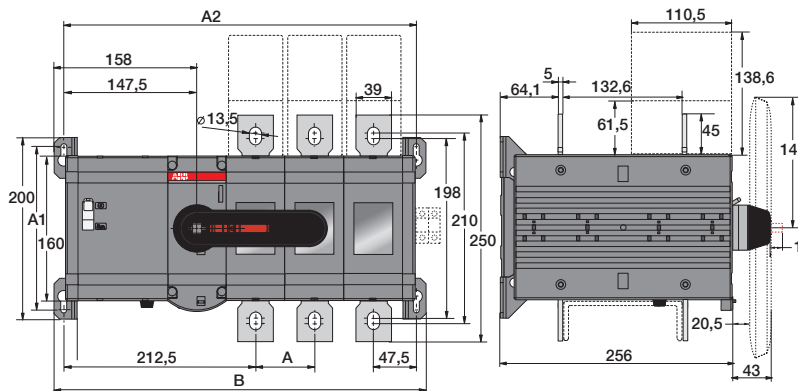
OTM315...400_C_M			
[mm]	E2	E3	E4
A	44	44	44
A1	142	142	142
A2	261	305	349
B	280	323	367



OTM630...800E2/3/4CM

M00140/OTM630-800E2_C_M_C

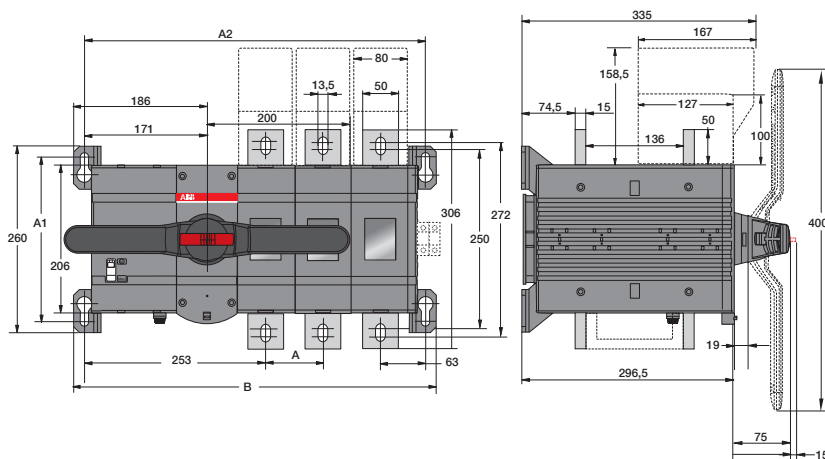
OTM630...800E_C_M			
[mm]	E2	E3	E4
A	65	65	65
A1	180	180	180
A2	325	390	455
B	346	411	476



OTM1000...1250E2/3/4CM

M00256/OTM1000-1250E_C_M_C

OTM1000...1250_C_M			
[mm]	E2	E3	E4
A	80	80	80
A1	230	230	230
A2	296,5	476,5	556,5
B	426,5	506,5	586,5



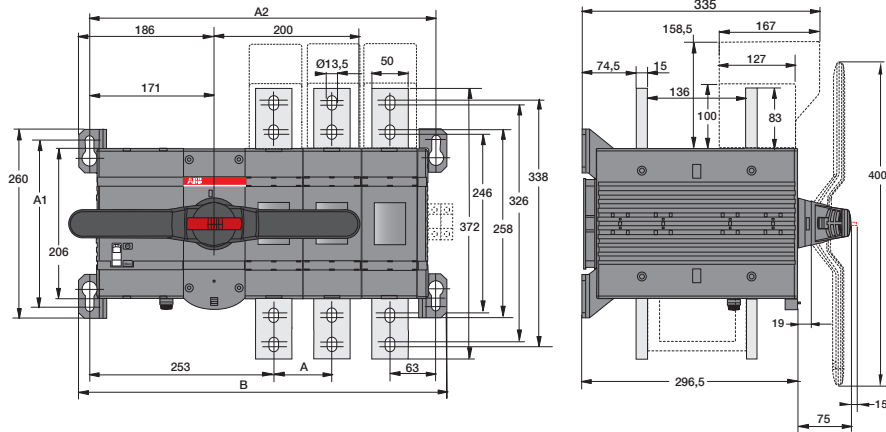
Dimension drawings

Motorized change-over switches

OTM1600E2/3/4CM

M00259/OTM1600E_C_M C

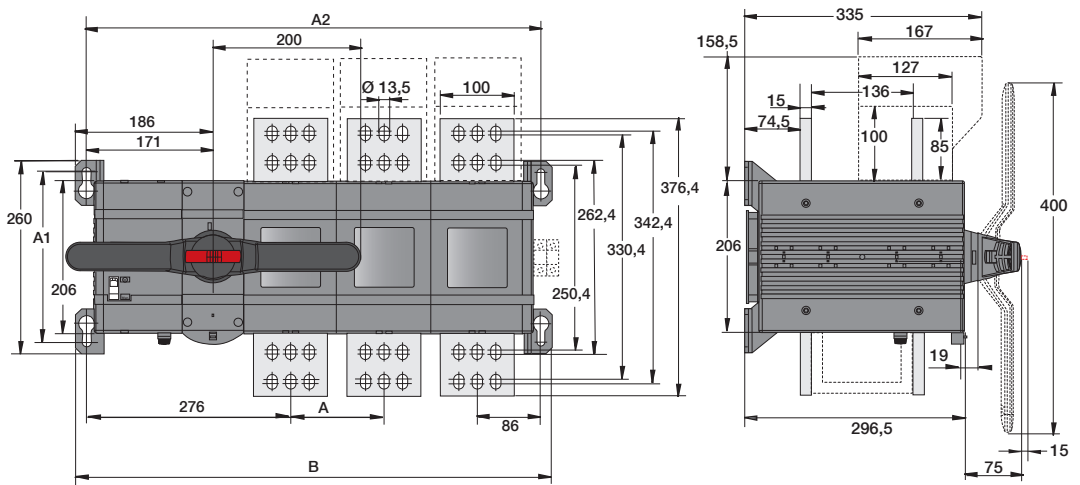
OTM1600_C_M				
[mm]	E2	E3	E4	
A	80	80	80	
A1	230	230	230	
A2	396,6	476,5	556,5	
B	426,5	506,5	586,5	



OTM2000...2500E3/4CM

M00259/OTM2000-2500E_C_M C

OTM2000...2500_C_M				
[mm]	E2	E3	E4	
A	126	126	126	
A1	230	230	230	
A2	488,5	614,5	740,5	
B	518,5	644,5	770,5	



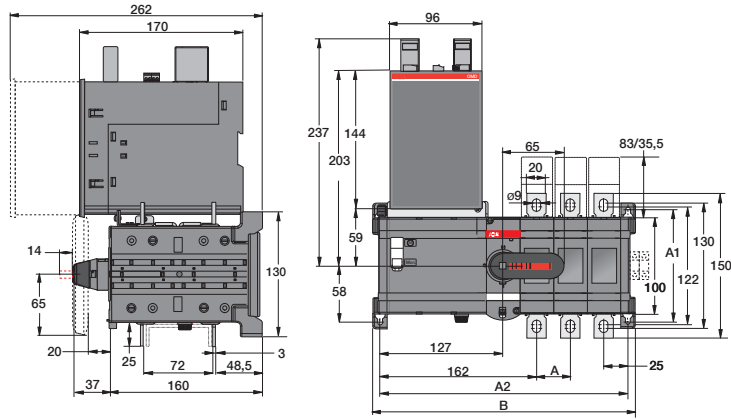
Dimension drawings

Automatic transfer switches

OTM160...250_C_D_

M00184/OTM160-250E_C_BD_ C/ES

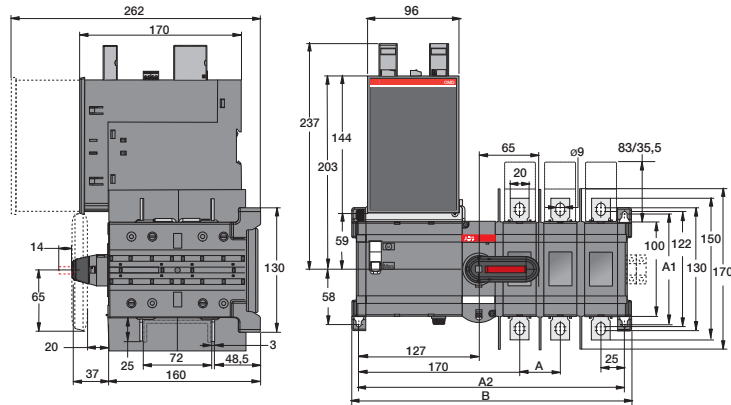
OTM160-250_C_D_		
[mm]	E3	E4
A	35	35
A1	116	116
A2	257	292
B	272	307



OTM160...250_WC_D_

M00187/OTM160-250E_WC_BD_ C/ES

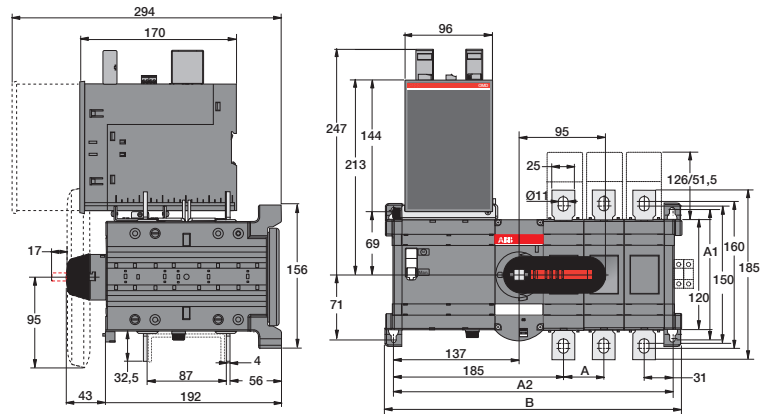
OTM160-250_WC_D_		
[mm]	E3	E4
A	43	43
A1	116	116
A2	281	324
B	296	339



OTM315...400_C_D_

M00193/OTM315-400E_C_BD_ C/ES

OTM315-400_C_D_		
[mm]	E3	E4
A	44	44
A1	142	142
A2	304,5	348,5
B	323	367



Dimension drawings

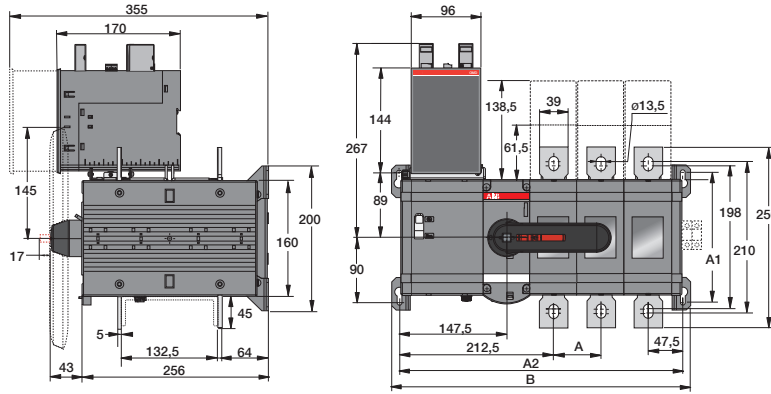
Automatic transfer switches

OTM630...800_C_D_

MO0205/OTM630-800E_C_BD_ C / ES

OTM630-800_C_D_

(mm)	E2	E3	E4
A	65	65	65
A1	180	180	180
A2	325	390	455
B	346	411	476

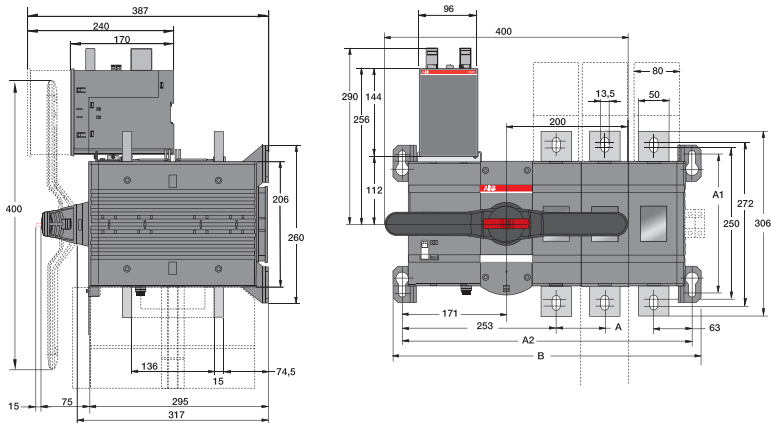


OTM1000...1250_C_D_

MO0264/OTM1000_1250E2_4C8 B / I

OTM1000-1250_C_D_

(mm)	E2	E3	E4
A	80	80	80
A1	230	230	230
A2	396	476	556
B	426	506	586

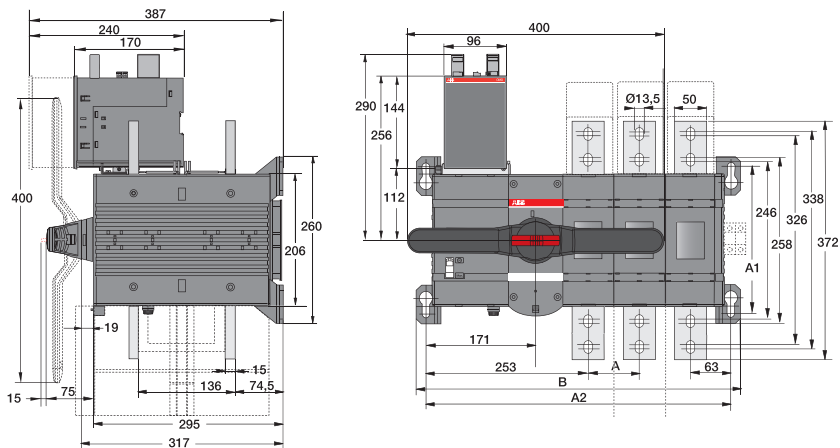


OTM1600_C_D_

MO0269/OTM1600E2_4C8 B / E

OTM1600_C_D_

(mm)	E2	E3	E4
A	80	80	80
A1	230	230	230
A2	396	476	556
B	426	506	586



Contact us

ABB Oy

Breakers and Switches

P.O. Box 622

FI-65101 Vaasa, Finland

Phone: +358 10 22 11

Fax: +358 10 22 45708

E-Mail: firstname.surname@fi.abb.com

www.abb.com

The technical data is valid at the time of printing. We reserve the right to subsequent alterations.

This panorama contains an overview of the products in our portfolio. For further information, refer to the catalogue OTC1GB 1SCC303003C0201.

