



Breakers and Switches

Enclosed switches Safety switches 16...1250 A

Safety switches

From 16...1250 Amperes

Contents

04	Product overview, features
10	Technical data, cabling
14	Safety switches, ordering information
14	Plastic enclosed, IP65
14	Installation safety switches / 3-pole
15	Black / red-yellow handle / 3-, 4- and 6-pole
21	Side operated / 3-, 4- and 6-pole
22	Steel sheet enclosed, IP65, IP54
22	Black / red-yellow handle / 3-, 4- and 6-pole
47	Stainless steel sheet enclosed, IP65
47	Black / red-yellow handle / 3-, 4- and 6-pole
53	Stainless steel handle / 3- and 6-pole
55	Aluminum enclosed, IP65
55	Side and front operated / 3-, 4- and 6-pole
58	EMC safety switches, ordering information
58	Plastic enclosed, IP65
58	Black / red-yellow handle / 3-, 4- and 6-pole
62	Steel sheet enclosed, IP65, IP54
62	Black / red-yellow handle / 3-, 4- and 6-pole
72	Aluminum enclosed, IP65
72	Side operated / 3-pole
73	Enclosure accessories, selection overview
75	Accessories, ordering information
89	Dimension drawings
101	Index

Safety switches from 16 to 1250 A 7.5...1200 kW / 690 V, AC-23A

Plastic

IP65

Installation safety switches:

- White / black / red-yellow handle types

Industrial / EMC safety switches:

- Black / red-yellow handle types

Side-operated safety switches:

- Dark grey / yellow handle types



Front operated safety switches

Installation safety switches			OTP16H_	OTP16HT_	OTP16K_	OTP_			
Max. motor output 690 V / AC23A	3-pole	kW	7.5	7.5	7.5	16	25	36	63
Industrial safety switches									
Switch size									
Max. motor output 690 V / AC23A	3-pole	kW				7.5	15	15	30
Max. motor output 690 V / AC23A	4-pole	kW				7.5	15	15	
Max. motor output 690 V / AC23A	6-pole	kW				7.5			
EMC safety switches									
Switch size									
Max. motor output 690 V / AC23A	3-pole	kW				7.5	15	15	
Max. motor output 690 V / AC23A	4-pole	kW				7.5	15	15	
Max. motor output 690 V / AC23A	6-pole	kW				7.5			

Aluminum

IP65

Black handle types

Industrial safety switches

Switch size

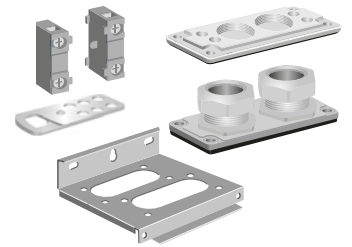
Max. motor output 690 V / AC23A	3-pole	kW	
Max. motor output 690 V / AC23A	4-pole	kW	
Max. motor output 690 V / AC23A	6-pole	kW	

EMC safety switches

Max. motor output 690 V / AC23A	3-pole	kW	
---------------------------------	--------	----	--

Accessories

Handles	Neutral links
Auxiliary contacts	Padlock unit
Terminal clamps	Cable glands and entries
Busbar connections	Condensation water outlet



Side-operated safety switches

OTP_					OT_								BWS_		BWS_		BWS_	
25	36	63	75	90	90	125	160	200	250	315	400	630	1000	16	25	16	25	
			37	45	45	55	75	160	200	250	355	560	1000	7.5	11			
			37	45		55	75	160	200	250	355			7.5	11			
15	15	30	37	45	45	55	75	160	200	250	355						7.5	11
OTE_																		
25	36	75	90															
		37	45															
		37	45															
15	15	37	45															



Side-operated safety switches

Front operated safety switches

LBAS_			LBAS_			LBAS_						LBAS_									
16	25		25			45	75	90	125	160	200	250	400	630	125	160	200	250	315	350	350
7.5	11		11			22	37	45	70	80	250	315	350	350							
7.5	11		11				37	45													
							37														
16	25																				
7.5	11																				

Safety switches from 16 to 1250 A 7.5...1200 kW / 690 V, AC-23A

Steel sheet

IP65, IP54

Black / red-yellow handle types



Industrial safety switches, IP65			OTL_				OTL_			OTL_	
Switch size			16	25	36	63	25	36	63	75	90
Max. motor output 690 V / AC23A	3-pole	kW	7.5	15	15	30			30	37	45
Max. motor output 690 V / AC23A	4-pole	kW	7.5	15	15	30			30	37	45
Max. motor output 690 V / AC23A	6-pole	kW	7.5				15	15		37	45
Industrial safety switches, IP54											
Switch size											
Max. motor output 690 V / AC23A	3-pole	kW									
Max. motor output 690 V / AC23A	4-pole	kW									
Max. motor output 690 V / AC23A	6-pole	kW									
EMC safety switches, IP65			OT_				OT_				
Switch size			16	25	36		25	36	63		
Max. motor output 690 V / AC23A	3-pole	kW	7.5	15	15				30		
Max. motor output 690 V / AC23A	6-pole	kW	7.5				15	15			
EMC safety switches, IP54											
Switch size											
Max. motor output 690 V / AC23A	3-pole	kW									
Max. motor output 690 V / AC23A	4-pole	kW									

Stainless steel sheet

IP65

Black / red-yellow handle types in OTR- types

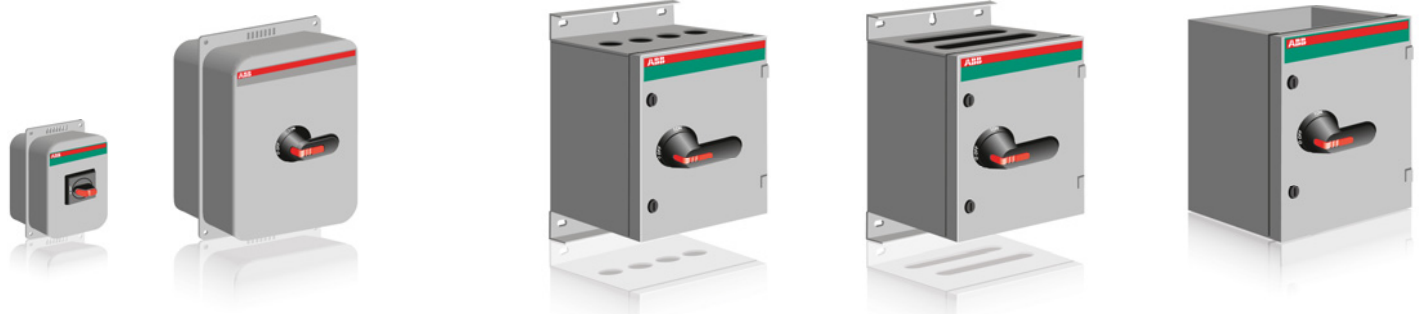
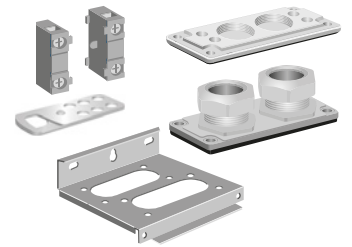
Stainless steel handle in OT-types



Industrial safety switches			OTR_			
Switch size			16	25	36	63
Max. motor output 690 V / AC23A	3-pole	kW	7.5	15	15	30
Max. motor output 690 V / AC23A	4-pole	kW	7.5	15	15	30
Max. motor output 690 V / AC23A	6-pole	kW	7.5			

Accessories

Handles	Neutral links
Auxiliary contacts	Padlock unit
Terminal clamps	Cable glands and entries
Busbar connections	Condensation water outlet



OT_																		OT_					
16	25	36	63	75	90	16	25	36	75	90	125	160	200	250	315	400	630	800	1000	1250			
7.5	15	15	30	37	45	7.5	15	15	37	45	55	75	160	200	250	355	560	710	1000	1200			
										45	55	75	160	200	250	355	560	710					
	15			37						45	55	75	160	200	250	355	560	710	800				
OT_																		OT_					
16	25	36	63	75	90	36	75	90	125	160	200	250	315	400	630	800	1000						
7.5	15	15	30	37	45	15	37	45	55	75	160	200	250	355	560	710	1000						
7.5	15	15	30	37	45																		
7.5	15	15	30	37				45	55	75	160	200	250	355	560	710	800						
OT_																		OT_					
16	25	36	63			90	125	160	200	250	315	400	630	800	1000	1250							
7.5	15	15	30			45	55	75	160	200	250	355	560	710	1000	1200							
7.5	15	15	30			45	55	75	160	200	250	355	560	710	800								
OT_																		OT_					
16	25	36	63			90	125	160	200	250	315	400	630	800	1000								
7.5	15	15	30			45	55	75	160	200	250	355	560	710	1000								
7.5	15	15	30			45	55	75	160	200	250	355	560	710	800								



OTR_			OTR_														OT_					
25	36	63	75	90	160	200	250	315	400	630	800	1000	1250									
		30	37	45	75	160	200	250	355	560	710	1000	1200									
		30	37	45																		
15	15		37	45	75	160	200	250	355	560	710											

Safety switches

7.5...1200 kW, from 16 to 1250 Amperes



Safety switches are designed to be mounted near a motor or machine to isolate it from the main circuit. They prevent accidental starting of electrical machinery during maintenance or repair work.

To ensure maximum safety, it is a good practice to use a separate switch for normal start and stop and to use the safety switch only during repair and maintenance. ABB's range includes side and front operated safety switches from 16 to 1200 Amperes, with power ratings from 7.5 to 1200 kW up to 690 V. The ratings correspond to utilization category AC-23A.

Enclosures are available in plastic, aluminum, steel sheet, stainless steel sheet and acid-proof material. The appropriate material can be selected according to preference or application.

Suitable for demanding environments

- The enclosures are made of strong, high quality materials.
- ▶ High durability in tough conditions.
- All switches from sizes 200 A have extra thick silver plated contacts.
- ▶ Corrosion resistance even in the most difficult operational conditions.

Gold plated auxiliary contacts for extremely difficult circumstances are available on request.

Designed for safety

The safety switch construction criteria and materials are chosen with a strong emphasis on operational safety.

- All safety switches have been tested according to IEC 60947-3 standard. One of the most significant safety factors is the arc proof short-circuit durability. After numerous tests, ABB's safety switches have proven to maintain high degree of safety. The aluminum enclosures have built-in expander washers and large steel sheet enclosures have security latches to prevent personal injury.
- ▶ In the unlikely event of a short circuit, the force of the explosion and the dangerous arc gases are directed safely away from the operator.
- If the contacts are welded together, the handle does not reach the OFF-position but remains between ON and OFF, maintaining the door interlock and preventing padlocking. There are no elastic or non-compliant parts between the contacts and the handle.
- ▶ Reliable position indication guaranteed constantly.
- The handle can be padlocked in the OFF-position with up to six padlocks, depending on the switch type and accessories used. The door of the safety switch cannot be opened when the handle is in the ON-position.
- ▶ Unwanted operation prevented.

Safety switches are designed to be mounted near a motor or machine to isolate it from the main circuit. They prevent accidental starting of electrical machinery during maintenance or repair work.

The safety switches are delivered with an auxiliary contact that can be used for electrical interlocking. This is done by connecting the safety switch to a starter or other motor control devices. For easy identification, the safety switch has a sticker label.

EMC

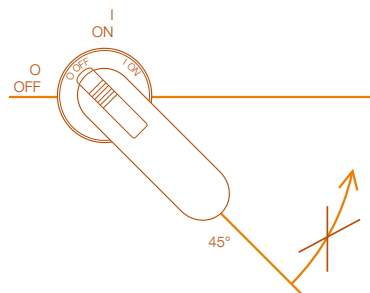
ABB offers safety switches especially designed for environments with electromagnetic disturbances (EMC).

EMC safety switches

ABB's EMC safety switches comply with IEC 61000-6-3/4, according to EU directive 2004/108/EC.

Electromagnetic compatibility (EMC) refers to the ability of the device to function despite electromagnetic disturbances in the

environment without electromagnetically disturbing other devices in the surroundings. This is important in environments where the disturbance from frequency converters may rise up to tenths, even hundreds of MHz.



Technical data

Safety switches

Safety switches type OT_

Data according to IEC 60947-3			Switch size		16	25	36	63	75	90_E
Plastic enclosed			Switch type		OTP/OTE	OTP/OTE	OTP/OTE	OTP	OTP/OTE	OTP/OTE
Steel sheet enclosed					OTL/OT	OTL/OT	OTL/OT	OTL/OT	OTL/OT	OTL/OT
Stainless steel sheet enclosed					OTR	OTR	OTR	OTR	OTR	OTR
Rated insulation voltage		V			750	750	750	750	750	750
Rated thermal current	40°C	A			40	63	80	115	115	125
	60°C	A			32	50	63	80	80	100
Rated operational power, AC-23A	230V	kW/A			5.5/23	7.5/30	11/45	18.5/63	22/80	22/90
	400V	kW/A			7.5/16	15/30	22/45	30/63	37/80	45/90
	500V	kW/A			7.5/16	15/30	22/45	30/50	37/60	45/70
	690V	kW/A			7.5/10	15/20	15/20	30/35	37/40	45/50
Rated conditional short-circuit current	50kA, 400V ¹⁾	kA			6.5	13	13	16.5	16.5	16.5
r.m.s and corresponding cut-off current of the fuse in single-phase test according to IEC60269	Fuse size:	gG/aM			40/32	100/80	100/80	125/125	125/125	125/125
	50kA, 690V ¹⁾	kA			4	11	11	10	10	10
	Fuse size:	gG/aM			25/16	80/63	80/63	63/63	63/63	63/63
Used switch type					OT40_	OT63_	OT80_	OT100_	OT100_	OT125F_

Safety switches type BWS_ and LBAS_

			Switch size		16	25	45	75	90	125
Plastic enclosed			Switch type		BWS	BWS				
Aluminum enclosed					LBAS	LBAS	LBAS	LBAS	LBAS	LBAS
Rated insulation voltage		V			690	690	750	750	750	1000
Rated thermal current	40°C	A			32	40	63	80	125	160
	60°C	A					50	63	100	
Rated operational power / current AC-23A	400V	kW/A			7.5/16	11/25	22/45	37/75	45/90	55/125
	500V	kW/A			7.5/16	15/25	22/45	37/58	45/70	55/90
	690V	kW/A			7.5/10	11/16	15/20	18.5/20	45/50	55/70
Conditional short circuit current		kA			25	25	50	50	50	50
Fuse protected short circuit making capacity	400V	kA			5	5	13	13	16.5	18
	500V	kA			4.8	4.8	11	11	10	18
	690V	kA			4.8	4.8	11	11	10	18
Max fuse	400V fuse	A			50	50	63	80	125	200
	500V	A			35	35	63	80	63	200
	690V	A			35	35	63	80	63	200

Colour codes of the enclosures / safety switches

	Colour code/cover	Colour code/box
Plastic enclosures		
OTP, white enclosure, installation safety switches	RAL9001	RAL9001
OTP and OT, grey enclosure	RAL 7035	RAL 7035
BWS, grey cover	RAL 7012	RAL 7035
BWS, yellow cover	RAL1021	RAL 7035
Steel sheet enclosures		
OTL	RAL 7035	RAL 7035
OT	NCS 1704-Y15R	NCS 1704-Y15R
Aluminium enclosures		
LBAS_16...90	RAL 7012	RAL 7035
LBAS_125...630	RAL 7035	RAL 7035

¹⁾ Other short-circuit ratings: see OT_OETL1GB catalogue.

For more information on switches and their applications, see catalogue OT_OETL1GB. Cabling, see pages 12...13. Terminal clamps for Al/Cu cables on page 79. For more information about our products, visit www.abb.com and our selection tool for enclosed switches at www.switchselector.com

90_A	125	160	160EV_	200	250	315	400	630	800	1000	1250
OT_A	OT	OT		OT	OT	OT	OT	OT	OT	OT	OT
OT_A	OT	OT		OT	OT	OT	OT	OT	OT	OT	OT
			OT_EV_	OT	OT	OT	OT	OT	OT	OT	OT
750	750	750	1000	1000	1000	1000	1000	1000	1000	1000	1000
135	160	160	160	200	250	315	400	570	720	1000	1250
125	160	160	160	200	200	315	320	460	580		
30/105	37/125	43/135	48/160	55/200	75/250	90/315	110/400	180/570	200/720	315/1000	400/1250
45/105	55/125	75/135	80/160	110/200	132/250	160/315	220/400	315/570	400/720	560/1000	710/1250
45/70	55/90	75/125	112/160	132/200	160/250	200/315	280/400	400/570	500/720	710/1000	900/1250
45/50	55/70	75/80	144/160	160/200	200/250	250/315	355/400	560/570	710/720	1000/1000	1200/1250
24	24	24	35	35	35	50.5	50.5	71.5	71.5	75	
200/250	200/250	200/250	355/315	355/315	355/315	500/500	500/500	800/1000	800/1000	1000/1000	
24	24	24	35	35	35	50.5	50.5	71.5	71.5	75	
200/250	200/250	200/250	355/315	355/315	355/315	500/500	500/500	800/1000	800/1000	1000/1000	
OT125A_	OT160E_	OT160E_	OT160EV_	OT200_	OT250_	OT315_	OT400_	OT630_	OT800_	OT1000_	OT1250_

160	200	250	400	630
LBAS	LBAS	LBAS	LBAS	LBAS
1000	1000	1000	1000	1000
160	270	315	500	630
75/160	132/250	160/315	250/500	315/630
75/125	160/250	200/315	315/500	355/580
75/80	200/250	250/315	315/350	355/350
50	50	50	50	50
18	35	35	50	50
18	35	35	50	50
18	35	35	50	50
250	400	400	630	800
250	400	400	630	800
250	400	400	630	800

Membrane glands/sealing plugs (included in BWS/LBAS)

Type	Cable entries		Included in delivery [pcs]	For cable diam. [mm]
	Protection class	size/metric threads		
BWS_16	IP54	M25	2	9...16
LBAS_16	IP54	M25	4	9...16
BWS616, 625	IP54	M25	3	9...16
	IP54	M16	1	6...11
BWS_25	IP54	M32	2	12...20
	IP54	M16	1	7...11
LBAS_25	IP54	M32	4	16...24
	IP54	M16	1	7...11
LBAS_45..._90	IP54	M40	4	19...25
	IP54	M16	1	6...11
EMC-safety switches				
LBAS316E/TPN	IP68	M25	2	9...16
LBAS325E/TPN	IP68	M32	2	16...24
	IP68	M16	1	7...11

Cabling

Steel sheet enclosed safety switches

Supply cable

Steel sheet enclosed safety switch (3-pole)

Amount of parallel cables mm ²	Cable entries from top and bottom	Cable entries from bottom
Supply cable, cable cross section 16...50 mm²		
1x(16...50)	OT_75_, OT_90_	
1x(16...50)	OT 90E_	
Supply cable, cable cross section 10...70 mm²		
1x(10...70)	OT_75_, OT_90_	
1x(10...70)	OT 90E_	
1x(10...70)	OT 90A_, OT125_	OT90A_, OT125_, OT160_
1x(10...70)	OT200_, OT250_	OT200_, OT250_
2x(10...70)	OT200_, OT250_, OT315_, OT400_	OT125_, OT160_, OT200_, OT250_, OT315_, OT400_
Supply cable, cable cross section 25...120 mm²		
1x(25...120)	OT 90A_	OT 90A_
1x(25...120)	OT125_	OT125_
1x(25...120)	OT160_, OT200_, OT250_	OT160_, OT200_, OT250_
1x(25...120)	OT315_, OT400_	OT315_, OT400_
2x(25...120)	OT160_	OT 90A_, OT125_, OT160_
2x(25...120)	OT200_, OT250_	OT200_, OT250_
2x(25...120)	OT315_, OT400_	OT315_, OT400_
2x(25...120)	OT315_, OT400_	OT315_, OT400_
Supply cable, cable cross section 70...185 mm²		
1x(70...185)	OT315_, OT400_, OT630_, OT800E_	OT315_, OT400_, OT630_, OT800E_
2x(70...185)	OT315_, OT400_, OT630_, OT800E_	OT315_, OT400_, OT630_, OT800E_
3x(70...185)	OT630_, OT800_	OT630KA_, OT800_
4x(70...185)	OT630_, OT800_	OT630KA_, OT800_
Supply cable, cable cross section 95...240 mm²		
1x(95...240)	OT200_, OT250_, OT315_, OT400_	OT200_, OT250_, OT315_, OT400_
2x(95...240)	OT200_, OT250_	OT200_, OT250_
2x(95...240)	OT315_, OT400_	OT315_, OT400_
Supply cable, cable cross section 120...240 mm²		
1x(120...240)	OT315_, OT400_	OT315_, OT400_
Supply cable, cable cross section 120...300 mm²		
1x(120...300)	OT315_, OT400_, OT630_, OT800E_	OT315_, OT400_, OT630_, OT800E_
2x(120...300)	OT315_, OT400_, OT630_, OT800E_	OT630_, OT800E_
2x(120...300)	OT1000_, OT1250_	OT1000_, OT1250_
3x(120...300)	OT630_, OT800E_	OT630KA_, OT800_
3x(120...300)	OT1000_, OT1250_	OT1000_, OT1250_
4x(120...300)	OT630_, OT800_	OT630KA_, OT800_
4x(120...300)	OT1000_, OT1250_	OT1000_, OT1250_
5x(120...300)	OT1000BL_, OT1250EL_*	

* For 800 mm wide enclosure only

Mounting accessories (to supply side)

Cable entries from top and bottom			Cable entries from bottom		
Busbar	Terminal clamp	Terminal bolt kit	Busbar	Terminal clamp	Terminal bolt kit
	OZXT1 (max 63A)				
	OZXT1 (max 63A)				
	OZXL1+OTS125T3P				
	OZXL1+OTS125T3P				
	OZXL2			OZXB1L	
	OZXB1L			OZXB1L	
OZXE20	2xOZXB1		OZXE 20	2xOZXB1	
	OZXB2			OZXB2	
	OZXB2			OZXB2	
	OZXB2			OZXB2	
	OZXB2L			OZXB2L	
OZXE21	2xOZXB2		OZXE21	2xOZXB2	
OZXE45	OZXB2+OZXB2L		OZXE21	2xOZXB2	
OZXE21	2xOZXB2		OZXE21	2xOZXB2	
OZXE21	2xOZXB2L	OZXE54	OZXE21	2xOZXB2L	OZXE54
	OZXB3			OZXB3	
	OZXB4			OZXB4	
OZXE19	OZXB3+OZXB4		OZXE19	OZXB3 + OZXB4	
OZXE19	2xOZXB4		OZXE19	2xOZXB4	
	OZXB9			OZXB9	
OZXE45	2xOZXB9	OZXE 56	OZXE45	2xOZXB9	OZXE56
OZXE46	2xOZXB9	OZXE 57	OZXE46	2xOZXB9	OZXE57
	OZXB7			OZXB 7	
	OZXB5			OZXB5	
	OZXB6			OZXB6	
	2xOZXB5			2xOZXB5	
OZXE19	OZXB5+OZXB6		OZXE19	OZXB5+OZXB6	
	OZXB5+OZXB6			OZXB5+OZXB6	
OZXE19	2xOZXB6		OZXE19	2xOZXB6	
	2xOZXB6			2xOZXB6	
OZXE19	2xOZXB6+OZXB5				

Ordering information

Plastic enclosed safety switches

OTP16H_
S00691A



Installation safety switches, 3-pole, IP65

The delivery includes a selector handle (I-O/ON-OFF), N- and PE-terminals, two membrane cable glands, two pull stoppers, auxiliary contacts according to the table below. Type _/10 = 10 units / type.

OTP16HT_
S00694A



White handle, white enclosure (RAL9001), cable entries from top and bottom

Max. motor output/ AC-23A				Cable	Auxiliary	Auxiliary	Type	Order number	Weight /unit [kg]
230V [kW]	400V [kW]	500V [kW]	690V [kW]	outlets/ side ¹⁾	contacts included	contacts max.			
Round handle									
5.5	7.5	7.5	7.5	2×Pg16	-	1no+1nc	OTP16H3P1	1SCA022371R2400	0.4
5.5	7.5	7.5	7.5	2×Pg16	-	1no+1nc	OTP16H3P1/10	1SCA022373R1700	4.0
5.5	7.5	7.5	7.5	2×Pg16	1no	1no+1nc	OTP16H3P	1SCA022371R2310	0.4
5.5	7.5	7.5	7.5	2×Pg16	1no	1no+1nc	OTP16H3P/10	1SCA022373R1610	4.0
5.5	7.5	7.5	7.5	2×M20	-	1no+1nc	OTP16H3M1	1SCA022432R1090	0.4
5.5	7.5	7.5	7.5	2×M20	-	1no+1nc	OTP16H3M1/10	1SCA022608R9750	4.0
5.5	7.5	7.5	7.5	2×M20	1no	1no+1nc	OTP16H3M	1SCA022608R8190	0.4
5.5	7.5	7.5	7.5	2×M20	1no	1no+1nc	OTP16H3M/10	1SCA022608R9240	4.0
5.5	7.5	7.5	7.5	2×M25	-	1no+1nc	OTP16H3M251	1SCA022699R3340	0.4
5.5	7.5	7.5	7.5	2×M25	-	1no+1nc	OTP16H3M251/10	1SCA022699R3420	4.0
5.5	7.5	7.5	7.5	2×M25	1no	1no+1nc	OTP16H3M25	1SCA022699R3000	0.4
5.5	7.5	7.5	7.5	2×M25	1no	1no+1nc	OTP16H3M25/10	1SCA022699R3180	4.0

OTP16K_
S00695A



Black handle, grey enclosure, cable entries from top and bottom

Round handle									
5.5	7.5	7.5	7.5	2×M20	-	1no+1nc	OTP16HT3M1	1SCA022400R9320	0.4
5.5	7.5	7.5	7.5	2×M20	-	1no+1nc	OTP16HT3M1/10	1SCA022641R7600	4.0
5.5	7.5	7.5	7.5	2×M20	1no	1no+1nc	OTP16HT3M	1SCA022400R9410	0.4
5.5	7.5	7.5	7.5	2×M20	1no	1no+1nc	OTP16HT3M/10	1SCA022641R7510	4.0
5.5	7.5	7.5	7.5	2×M25	-	1no+1nc	OTP16HT3M251	1SCA022699R4070	0.4
5.5	7.5	7.5	7.5	2×M25	-	1no+1nc	OTP16HT3M251/10	1SCA022699R4150	4.0
5.5	7.5	7.5	7.5	2×M25	1no	1no+1nc	OTP16HT3M25	1SCA022699R3770	0.4
5.5	7.5	7.5	7.5	2×M25	1no	1no+1nc	OTP16HT3M25/10	1SCA022699R3850	4.0
Rectangular handle									
5.5	7.5	7.5	7.5	2×M20	-	1no+1nc	OTP16K3M1	1SCA022400R9750	0.4
5.5	7.5	7.5	7.5	2×M20	1no	1no+1nc	OTP16K3M	1SCA022400R9830	0.4
5.5	7.5	7.5	7.5	2×M25	-	1no+1nc	OTP16K3M251	1SCA022699R4400	0.4
5.5	7.5	7.5	7.5	2×M25	1no	1no+1nc	OTP16K3M25	1SCA022699R4310	0.4

OTP16KA_
S00453A



Red-yellow handle, grey enclosure, cable entries from top and bottom

Rectangular handle									
5.5	7.5	7.5	7.5	2×M20	-	1no+1nc	OTP16KA3M1	1SCA022401R0330	0.4
5.5	7.5	7.5	7.5	2×M20	1no	1no+1nc	OTP16KA3M	1SCA022399R6590	0.4
5.5	7.5	7.5	7.5	2×M25	-	1no+1nc	OTP16KA3M251	1SCA022699R4660	0.4
5.5	7.5	7.5	7.5	2×M25	1no	1no+1nc	OTP16KA3M25	1SCA022699R4580	0.4

¹⁾ Pg-threads available on request

Ordering information

Plastic enclosed safety switches

OTP16T_, OTP25T_,
OTP36T_, OTP63T
S00764A



OTP75T_, OTP90T_
S00692A



OT90A_...1000_
S00835



OT160_...630_
S00835



Safety switches, 3-pole, IP65, black handle

The delivery includes a black handle (I-O/ON-OFF), PE-terminal, knock-out openings and auxiliary contacts according to the table below. Grey enclosure.

Cable entries from top and bottom

Max. motor output/ AC-23A				Cable	Auxiliary	Auxiliary			
230V	400V	500V	690V	outlets/ side ¹⁾	contacts included	contacts max.	Type	Order number	Weight /unit [kg]
[kW]	[kW]	[kW]	[kW]						

Selector handle

Include N-terminal. Knock-out openings, also for control cables. Compression glands have to be ordered separately, page 85.

5.5	7.5	7.5	7.5	2xM25+M16	1no	2no+2nc	OTP16T3M	1SCA022400R9910	0.5
7.5	15	15	15	2xM32+M16	1no	2no+2nc	OTP25T3M	1SCA022401R0090	0.9
11	22	22	15	2xM32+M16	1no	2no+2nc	OTP36T3M	1SCA022401R0170	0.9
18.5	30	30	30	2xM32+M16	1no	2no+2nc	OTP63T3M	1SCA022608R2910	1.0
22	37	37	37	2xM50+M16	1no	2no+2nc	OTP75T3M	1SCA022812R2890	2.4
22	45	45	45	2xM50+M16	1no	2no+2nc	OTP90T3M	1SCA022812R2970	2.4

Include N-terminal. Flanges have to be ordered separately, page 84.

22	37	37	37	I-flange	1no	2no+2nc	OTP75T3B	1SCA022371R2910	2.4
22	37	37	37	-	1no	2no+2nc	OTP75T3U	1SCA022401R0250	2.4
22	45	45	45	I-flange	1no	2no+2nc	OTP90T3B	1SCA022429R3450	2.4
22	45	45	45	-	1no	2no+2nc	OTP90T3U	1SCA022430R0760	2.4

Pistol handle

Flanges have to be ordered separately, page 84.

30	45	45	45	II-flange	1no+1nc	2no+2nc	OT90AFCC3T	1SCA022576R0200	5.4
37	55	55	55	II-flange	1no+1nc	1no+1nc	OT125EFCC3T	1SCA022260R4990	5.4
45	75	75	75	II-flange	1no+1nc	1no+1nc	OT160EFCC3T	1SCA022299R1910	7.0
55	110	132	160	II-flange	2no+1nc	2no+1nc	OT200KFCC3T	1SCA022260R6370	9.0
75	132	160	200	II-flange	2no+1nc	2no+1nc	OT250KFCC3T	1SCA022276R8830	9.0
90	160	200	250	II-flange	2no+1nc	2no+1nc	OT315KFCC3T	1SCA022276R9810	9.0
110	220	280	355	II-flange	2no+1nc	2no+1nc	OT400DFCC3T	1SCA022277R0490	16.0
180	355	400	560	2xII-flange	2no+1nc	2no+1nc	OT630KFCC3T	1SCA022277R1030	20.0
315	560	710	1000	2xII-flange	1no+1nc	1no+1nc	OT1000BFCC3T	1SCA022277R1620	35.0

Cable entries from bottom

Max. motor output/ AC-23A				Cable	Auxiliary	Auxiliary			
230V	400V	500V	690V	outlets/ bottom side	contacts included	contacts max.	Type	Order number	Weight /unit [kg]
[kW]	[kW]	[kW]	[kW]						

Pistol handle

Flanges have to be ordered separately, page 84.

45	75	75	75	II-flange	1no+1nc	1no+1nc	OT160EGCC3T	1SCA022298R9680	7.0
55	110	132	160	II-flange	2no+1nc	2no+1nc	OT200KGCC3T	1SCA022276R8670	9.0
75	132	160	200	II-flange	2no+1nc	2no+1nc	OT250KGCC3T	1SCA022276R9640	9.0
90	160	200	250	II-flange	2no+1nc	2no+1nc	OT315KGCC3T	1SCA022277R0220	9.0
110	220	280	355	2xII-flange	2no+1nc	2no+1nc	OT400DGCC3T	1SCA022277R0810	24.0
180	355	400	560	2xII-flange	2no+1nc	2no+1nc	OT630KGCC3T	1SCA022277R1460	26.0

¹⁾ Pg-threads available on request

Ordering information

Plastic enclosed safety switches

OTP16T_, OTP25T_, OTP36T
S00764A



Safety switches, 4-pole, IP65, black handle

The delivery includes a black handle (I-O/ON-OFF), PE-terminals, knock-out openings and auxiliary contacts according to the table below. Grey enclosure.

OTP75T, OTP90T_
S00692A



Cable entries from top and bottom

Max. motor output/ AC-23A				Cable	Auxiliary	Auxiliary	Type	Order number	Weight /unit [kg]
230V [kW]	400V [kW]	500V [kW]	690V [kW]	outlets/ side ¹⁾	contacts included	contacts max.			

Selector handle

Include N-terminal. Knock-out openings, also for control cables. Compression glands have to be ordered separately, page 85.

5.5	7.5	7.5	7.5	2xM25+M16	1no	2no+2nc	OTP16T4M	1SCA022401R0500	0.5
7.5	15	15	15	2xM32+M16	1no	2no+2nc	OTP25T4M	1SCA022401R0680	1.0
11	22	22	15	2xM32+M16	1no	2no+2nc	OTP36T4M	1SCA022401R0760	1.0
22	37	37	37	2xM50+M16	1no	2no+2nc	OTP75T4M	1SCA022812R3010	2.5
22	45	45	45	2xM50+M16	1no	2no+2nc	OTP90T4M	1SCA022812R3190	2.5

OT125_...400_
S00835



Include N-terminal. Flanges have to be ordered separately, page 84.

22	37	37	37	I-flange	1no	2no+2nc	OTP75T4B	1SCA022383R0860	2.5
22	37	37	37	-	1no	2no+2nc	OTP75T4U	1SCA022401R0840	2.5
22	45	45	45	I-flange	1no	2no+2nc	OTP90T4B	1SCA022430R1310	2.5
22	45	45	45	-	1no	2no+2nc	OTP90T4U	1SCA022401R0840	2.5

Pistol handle

Flanges have to be ordered separately, page 84.

37	55	55	55	II-flange	1no+1nc	1no+1nc	OT125EFCC4T	1SCA022483R0050	5.7
45	75	75	75	II-flange	1no+1nc	1no+1nc	OT160EFCC4T	1SCA022302R5660	7.3
55	110	132	160	II-flange	2no+1nc	2no+1nc	OT200KFCC4T	1SCA022367R9430	9.3
75	132	160	200	II-flange	2no+1nc	2no+1nc	OT250KFCC4T	1SCA022619R2250	9.3
90	160	200	250	II-flange	2no+1nc	2no+1nc	OT315KFCC4T	1SCA022367R9510	9.3
110	220	280	355	II-flange	2no+1nc	2no+1nc	OT400DFCC4T	1SCA022623R3970	17.0

¹⁾ Pg-threads available on request

Ordering information

Plastic enclosed safety switches

OTP16T_
S00764A



OTP25T...90T_
S02084



OT90A...400_
S00835



Safety switches, 6-pole, IP65, black handle

The delivery includes a black handle (I-O/ON-OFF), PE-terminals, knock-out openings and auxiliary contacts according to the table below. Grey enclosure.

Cable entries from top and bottom

Max. motor output/				Cable outlets/ side ¹⁾	Auxiliary contacts included	Auxiliary contacts max.	Type	Order number	Weight /unit [kg]
AC-23A	230V [kW]	400V [kW]	500V [kW]						

Selector handle

Include N-terminal. Knock-out openings, also for control cables. Compression glands have to be ordered separately, page 85.

5.5	7.5	7.5	7.5	2×M25+M16	1no	1no+1nc	OTP16T6M	1SCA022401R1730	0.7
-----	-----	-----	-----	-----------	-----	---------	----------	-----------------	-----

Pistol handle

Include N-terminal. Knock-out openings, also for control cables. Compression glands have to be ordered separately, page 85.

7.5	15	15	15	2×M32+M16	1no	1no+1nc	OTP25T6M	1SCA022401R1810	1.2
11	22	22	15	2×M32+M16	1no	1no+1nc	OTP36T6M	1SCA022401R1900	1.2
22	37	37	37	2×M50+M16	1no	2no+2nc	OTP75T6M	1SCA022812R3270	3.2
22	45	45	45	2×M50+M16	1no	2no+2nc	OTP90T6M	1SCA022812R3350	3.2

Include N-terminal. Flanges have to be ordered separately, page 84.

18.5	30	30	30	I-flange	1no	2no+2nc	OTP63T6B	1SCA022485R6440	2.5
22	37	37	37	I-flange	1no	2no+2nc	OTP75T6B	1SCA022371R3040	3.2
22	37	37	37	-	1no	2no+2nc	OTP75T6U	1SCA022401R2030	3.2
22	45	45	45	I-flange	1no	2no+2nc	OTP90T6B	1SCA022430R2380	3.2
22	45	45	45	-	1no	2no+2nc	OTP90T6U	1SCA022430R2460	3.2

Flanges have to be ordered separately, page 84.

30	45	45	45	II-flange	2no+2nc	2no+2nc	OT90AFCC6T	1SCA022260R3590	7.0
37	55	55	55	II-flange	2no+2nc	2no+2nc	OT125EFCC6T	1SCA022260R5110	8.0
45	75	75	75	II-flange	2no+2nc	2no+2nc	OT160EFCC6T	1SCA022299R0260	8.0
55	110	132	160	2×II-flange	4no+2nc	4no+2nc	OT200KFCC6T	1SCA022260R5530	21.0
75	132	160	200	2×II-flange	4no+2nc	4no+2nc	OT250KFCC6T	1SCA022276R9480	21.0
90	160	200	250	2×II-flange	4no+2nc	4no+2nc	OT315KFCC6T	1SCA022277R0060	21.0
110	220	280	355	2×II-flange	4no+2nc	4no+2nc	OT400DFCC6T	1SCA022277R0650	29.0

¹⁾ Pg-threads available on request

Ordering information

Plastic enclosed safety switches

OTP16A_, OTP25A_
OTP36A_, OTP63A_
S00760A



Safety switches, 3-pole, IP65, red-yellow handle

The delivery includes a red-yellow handle (I-O/ON-OFF), PE-terminal, knock-out openings and auxiliary contacts according to the table below. Grey enclosure.

Cable entries from top and bottom

Max. motor output/ AC-23A				Cable	Auxiliary	Auxiliary	Type	Order number	Weight /unit [kg]
230V [kW]	400V [kW]	500V [kW]	690V [kW]	outlets/ side ¹⁾	contacts included	contacts max.			

Selector handle

Include N-terminal. Knock-out openings, also for control cables. Compression glands have to be ordered separately, page 85.

5.5	7.5	7.5	7.5	2xM25+M16	1no	2no+2nc	OTP16A3M	1SCA022399R6750	0.5
7.5	15	15	15	2xM32+M16	1no	2no+2nc	OTP25A3M	1SCA022399R6670	0.9
11	22	22	15	2xM32+M16	1no	2no+2nc	OTP36A3M	1SCA022399R6830	0.9
18.5	30	30	30	2xM32+M16	1no	2no+2nc	OTP63A3M	1SCA022613R1200	1.0
22	37	37	37	2xM50+M16	1no	2no+2nc	OTP75A3M	1SCA022812R3430	2.4
22	45	45	45	2xM50+M16	1no	2no+2nc	OTP90A3M	1SCA022812R3510	2.4

Include N-terminal. Flanges have to be ordered separately, page 84.

22	37	37	37	I-flange	1no	2no+2nc	OTP75A3B	1SCA022382R0550	2.4
22	37	37	37	-	1no	2no+2nc	OTP75A3U	1SCA022401R0410	2.4
22	45	45	45	I-flange	1no	2no+2nc	OTP90A3B	1SCA022430R0410	2.4
22	45	45	45	-	1no	2no+2nc	OTP90A3U	1SCA022430R1060	2.4

Pistol handle

Flanges have to be ordered separately, page 84.

30	45	45	45	II-flange	1no+1nc	2no+2nc	OT90AFCC3A	1SCA110504R1001	5.4
37	55	55	55	II-flange	1no+1nc	1no+1nc	OT125EFCC3A	1SCA022280R1040	5.4
45	75	75	75	II-flange	1no+1nc	1no+1nc	OT160EFCC3A	1SCA022278R6810	7.0
55	110	132	160	II-flange	2no+1nc	2no+1nc	OT200KFCC3A	1SCA022278R1340	9.0
75	132	160	200	II-flange	2no+1nc	2no+1nc	OT250KFCC3A	1SCA022278R1930	9.0
90	160	200	250	II-flange	2no+1nc	2no+1nc	OT315KFCC3A	1SCA022278R2580	9.0
110	220	280	355	II-flange	2no+1nc	2no+1nc	OT400DFCC3A	1SCA022278R3120	16
180	315	400	560	2xII-flange	2no+1nc	2no+1nc	OT630KFCC3A	1SCA022278R3710	20
315	560	710	1000	2xII-flange	2no+1nc	2no+1nc	OT1000BFCC3A	1SCA022297R5620	35

Cable entries from bottom

Max. motor output/ AC-23A				Cable	Auxiliary	Auxiliary	Type	Order number	Weight /unit [kg]
230V [kW]	400V [kW]	500V [kW]	690V [kW]	outlets/ bottom side	contacts included	contacts max.			

Pistol handle

Knock-out flanges, flanges have to be ordered separately, page 84.

45	75	75	75	II-flange	1no+1nc	1no+1nc	OT160EGCC3A	1SCA022297R5890	7.0
55	110	132	160	II-flange	2no+1nc	2no+1nc	OT200KGCC3A	1SCA022297R6010	9.0
75	132	160	200	II-flange	2no+1nc	2no+1nc	OT250KGCC3A	1SCA022297R6270	9.0
90	160	200	250	II-flange	2no+1nc	2no+1nc	OT315KGCC3A	1SCA022298R8280	9.0
110	220	280	355	2xII-flange	2no+1nc	2no+1nc	OT400DGCC3A	1SCA022297R6430	24
180	315	400	560	2xII-flange	2no+1nc	2no+1nc	OT630KGCC3A	1SCA022297R6600	26

¹⁾ Pg-threads available on request

OTP75A_, OTP90A_
S00763A



OT90A...1000_
S01765A



OT160...630_
S01765A



Ordering information

Plastic enclosed safety switches

OTP16A_, OTP25A_, OTP36A_
S00760A



Safety switches, 4-pole, IP65, red-yellow handle

The delivery includes a red-yellow handle (I-O/ON-OFF), PE-terminals, knock-out openings and auxiliary contacts according to the table below. Grey enclosure.

OTP75A_, OTP90A_
S00763A



Cable entries from top and bottom

Max. motor output/ AC-23A				Cable	Auxiliary	Auxiliary	Type	Order number	Weight /unit [kg]
230V [kW]	400V [kW]	500V [kW]	690V [kW]	outlets/ side ¹⁾	contacts included	contacts max.			

Selector handle

Include N-terminal. Knock-out openings, also for control cables. Compression glands have to be ordered separately, page 85.

5.5	7.5	7.5	7.5	2xM25+M16	1no	2no+2nc	OTP16A4M	1SCA022401R1060	0.53
7.5	15	15	15	2xM32+M16	1no	2no+2nc	OTP25A4M	1SCA022401R1220	0.96
11	22	22	15	2xM32+M16	1no	2no+2nc	OTP36A4M	1SCA022401R1490	0.96
22	37	37	37	2xM50+M16	1no	2no+2nc	OTP75A4M	1SCA022812R3780	2.5
22	45	45	45	2xM50+M16	1no	2no+2nc	OTP90A4M	1SCA022812R3860	2.5

Include N-terminal. Flanges have to be ordered separately, page 84.

22	37	37	37	I-flange	1no	2no+2nc	OTP75A4B	1SCA022401R1570	2.5
22	37	37	37	-	1no	2no+2nc	OTP75A4U	1SCA022401R1650	2.5
22	45	45	45	I-flange	1no	2no+2nc	OTP90A4B	1SCA022430R1900	2.5
22	45	45	45	-	1no	2no+2nc	OTP90A4U	1SCA022430R2030	2.5

Pistol handle

Flanges have to be ordered separately, page 84.

37	55	55	55	II-flange	1no+1nc	1no+1nc	OT125EFCC4A	1SCA022745R6200	5.7
45	75	75	75	II-flange	1no+1nc	1no+1nc	OT160EFCC4A	1SCA022745R6380	7.3
55	110	132	160	II-flange	2no+1nc	2no+1nc	OT200KFCC4A	1SCA022745R6460	9.3
75	132	160	200	II-flange	2no+1nc	2no+1nc	OT250KFCC4A	1SCA022745R6540	9.3
90	160	200	250	II-flange	2no+1nc	2no+1nc	OT315KFCC4A	1SCA022745R6620	9.3
110	220	280	355	II-flange	2no+1nc	2no+1nc	OT400DFCC4A	1SCA022745R6710	17.0

¹⁾ Pg-threads available on request

OT125_...400_
S01765A



Ordering information

Plastic enclosed safety switches

OTP16A_
S00760A



Safety switches, 6-pole, IP65, red-yellow handle

The delivery includes a red-yellow handle (I-O/ON-OFF), PE-terminals, knock-out openings and auxiliary contacts according to the table below. Grey enclosure.

OTP25A...90A_
S00769



Cable entries from top and bottom

Max. motor output/ AC-23A				Cable outlets/ side ¹⁾	Auxiliary contacts included	Auxiliary contacts max.	Type	Order number	Weight /unit [kg]
230V [kW]	400V [kW]	500V [kW]	690V [kW]						

Selector handle

Include N-terminal. Knock-out openings, also for control cables. Compression glands have to be ordered separately, page 85.

5.5	7.5	7.5	7.5	2xM25+M16	1no	1no+1nc	OTP16A6M	1SCA022401R2200	0.7
-----	-----	-----	-----	-----------	-----	---------	----------	-----------------	-----

Pistol handle

Include N-terminal. Knock-out openings, also for control cables. Compression glands have to be ordered separately, page 85.

7.5	15	15	15	2xM32+M16	1no	1no+1nc	OTP25A6M	1SCA022401R2460	1.2
11	22	22	15	2xM32+M16	1no	1no+1nc	OTP36A6M	1SCA022401R2620	1.2
22	37	37	37	2xM50+M16	1no	2no+2nc	OTP75A6M	1SCA022812R3940	3.2
22	45	45	45	2xM50+M16	1no	2no+2nc	OTP90A6M	1SCA022812R4080	3.2

OT90AF...400_
S01765A



Include N-terminal. Flanges have to be ordered separately, page 84.

18.5	30	30	30	I-flange	1no	2no+2nc	OTP63A6B	1SCA022485R6280	2.5
22	37	37	37	I-flange	1no	2no+2nc	OTP75A6B	1SCA022401R2710	3.2
22	37	37	37	-	1no	2no+2nc	OTP75A6U	1SCA022401R2890	3.2
22	45	45	45	I-flange	1no	2no+2nc	OTP90A6B	1SCA022430R2540	3.2
22	45	45	45	-	1no	2no+2nc	OTP90A6U	1SCA022430R2620	3.2

Flanges have to be ordered separately, page 84.

30	45	45	45	II-flange	2no+2nc	2no+2nc	OT90AFCC6A	1SCA022297R7830	7.0
37	55	55	55	II-flange	2no+2nc	2no+2nc	OT125EFCC6A	1SCA022297R8050	8.0
45	75	75	75	II-flange	2no+2nc	2no+2nc	OT160EFCC6A	1SCA022297R8210	8.0
55	110	132	160	2xII-flange	4no+2nc	4no+2nc	OT200KFCC6A	1SCA022297R8480	21
75	132	160	200	2xII-flange	4no+2nc	4no+2nc	OT250KFCC6A	1SCA022297R8640	21
90	160	200	250	2xII-flange	4no+2nc	4no+2nc	OT315KFCC6A	1SCA022292R7730	21
110	220	280	355	2xII-flange	4no+2nc	4no+2nc	OT400DFCC6A	1SCA022297R8810	29

¹⁾ Pg-threads available on request

Ordering information

Plastic enclosed safety switches

BWS316 TPN, BWS416 TPSN
2CMC341011F0054



Side operated safety switches, 3, 4 and 6-pole, IP65

Enclosure in robust thermoplastic (PBT). Colors: Box in light grey, cover and handle according to the table below. The safety switch comes complete with neutral, PE terminal, one N.O auxiliary contact, cable entries with metric threaded knock-outs, IP54 membrane glands (See table page 11). For IP65 protection compression glands must be used.

BWS316 Y TPN, BWS416 Y TPSN
2CMC342002F0056



Cable entries from top and bottom

Rated operational current/power			Cable entries Up/Down	Enclosure size [mm]			Type	Order number	Weight /unit [kg]
AC-23A 500V [A]	690V [A]	[kW]		W	H	D			

3-pole

Dark grey side-operated handle, dark grey cover									
16	10	7.5	2×M25/2×M25	111	130	60	BWS316 TPN	2CMA142417R1000	0.32
25	16	11	2×M32/2×M32+1×M16	138	168	68	BWS325 TPN	2CMA142420R1000	0.41
Red side-operated handle, yellow cover									
16	10	7.5	2×M25/2×M25	111	130	60	BWS316 Y TPN	2CMA142423R1000	0.37
25	16	11	2×M32/2×M32+1×M16	138	168	68	BWS325 Y TPN	2CMA142426R1000	0.41
Dark greyside-operated handle, dark grey cover, auxiliary contacts not included									
16	10	7.5	2×M25/2×M25	111	130	60	BWS316 F TPN	2CMA142440R1000	0.32

BWS325 TPN, BWS425 TPSN
2CMC341011F0056



BWS325 Y TPN, BWS425 Y TPSN
2CMC342002F0056



4-pole

Dark grey side-operated handle, dark grey cover									
16	10	7.5	2×M25/2×M25	111	130	60	BWS416 TPSN	2CMA142418R1000	0.32
25	16	11	2×M32/2×M32+1×M16	138	168	68	BWS425 TPSN	2CMA142421R1000	0.42
Red side-operated handle, yellow cover									
16	10	7.5	2×M25/2×M25	111	130	60	BWS416 Y TPSN	2CMA142424R1000	0.32
25	16	11	2×M32/2×M32+1×M16	138	168	68	BWS425 Y TPSN	2CMA142427R1000	0.42

BWS616 TPN, BWS625 TPN
2CMC341011F0066



6-pole

Dark grey side-operated handle, dark grey cover									
16	10	7.5	2×Ø25+Ø16/2×Ø25+Ø16	190	130	65	BWS616 TPN	2CMA142419R1000	0.54
25	16	11	2×Ø25+Ø16/2×Ø25+Ø16	190	130	65	BWS625 TPN	2CMA142422R1000	0.54
Red side-operated handle, yellow cover									
16	10	7.5	2×Ø25+Ø16/2×Ø25+Ø16	190	130	65	BWS616 Y TPN	2CMA142425R1000	0.54
25	16	11	2×Ø25+Ø16/2×Ø25+Ø16	190	130	65	BWS625 Y TPN	2CMA142428R1000	0.54

BWS616 Y TPN, BWS625 Y TPN
2CMC341011F0070



Ordering information

Steel sheet enclosed safety switches

OTL16...36T3M
S01211A



Safety switches, 3-pole, IP65, black handle

The delivery includes a black handle (I-O/ON-OFF) PE-terminal and auxiliary contact 1 no. Knock-out type cable openings included, cable outlets also for control cable. Compression glands and flanges have to be ordered separately, pages 83 and 85.

Hinged cover, cable entries from top and bottom

Grey enclosure, equipped with hinges and lock.

OTL63T3M
S01335A



Max. motor output/ AC-23A				Cable outlets/ side	Auxiliary contacts included	Auxiliary contacts max.	Type	Order number	Weight /unit [kg]
230V [kW]	400V [kW]	500V [kW]	690V [kW]						
Selector handle									
5.5	7.5	7.5	7.5	2xø25.5+ø16.5	1no	2no+2nc	OTL16T3M	1SCA102679R1001	1.7
7.5	15	15	15	2xø32.5+ø16.5	1no	2no+2nc	OTL25T3M	1SCA022612R9990	1.9
11	22	22	15	2xø32.5+ø16.5	1no	2no+2nc	OTL36T3M	1SCA022613R0060	1.9

OTL75...90T3B
S01251A



Pistol handle									
18.5	30	30	30	2xø32.5+ø16.5	1no	2no+2nc	OTL63T3M	1SCA022609R7180	2.4
22	37	37	37	B-flange	1no	2no+2nc	OTL75T3B	1SCA022546R0820	3.3
22	37	37	37	-	1no	2no+2nc	OTL75T3U	1SCA022718R4520	3.3
22	45	45	45	B-flange	1no	2no+2nc	OTL90T3B	1SCA022546R1120	3.3
22	45	45	45	-	1no	2no+2nc	OTL90T3U	1SCA022718R4610	3.3

Hinged cover, cable entries from bottom

Grey enclosure, equipped with hinges and lock.

OTL16...63T3B
S01334A



Max. motor output/ AC-23A				Cable outlets/ bottom side	Auxiliary contacts included	Auxiliary contacts max.	Type	Order number	Weight /unit [kg]
230V [kW]	400V [kW]	500V [kW]	690V [kW]						
Selector handle									
5.5	7.5	7.5	7.5	B-flange	1no	2no+2nc	OTL16T3B	1SCA022571R9150	1.7
7.5	15	15	15	B-flange	1no	2no+2nc	OTL25T3B	1SCA022571R9230	1.9
11	22	22	15	B-flange	1no	2no+2nc	OTL36T3B	1SCA022571R9310	1.9
18.5	30	30	30	B-flange	1no	2no+2nc	OTL63T3B	1SCA022571R9400	2.0

OT16...90_3TZ
S00822A



Screw fixed cover, cable entries from top and bottom

Grey enclosure, screw fixed cover.

Max. motor output/ AC-23A				Cable outlets/ side	Auxiliary contacts included	Auxiliary contacts max.	Type	Ordering number	Weight /unit [kg]
230V [kW]	400V [kW]	500V [kW]	690V [kW]						
Selector handle									
5.5	7.5	7.5	7.5	2xø25+ø16	1no	2no+2nc	OT16ELMM3TZ	1SCA022786R0670	1.6
7.5	15	15	15	2xø32+ø16	1no	2no+2nc	OT25ELMM3TZ	1SCA022692R7040	1.6
11	22	22	15	2xø32+ø16	1no	2no+2nc	OT36ELMM3TZ	1SCA022786R0830	1.7
18.5	30	30	30	2xø32+ø16	1no	2no+2nc	OT63ELMM3TZ	1SCA022513R7290	3.7
22	37	37	37	B-flange	1no	2no+2nc	OT75ELBB3TZ	1SCA022462R4150	4.5
22	45	45	45	B-flange	1no	2no+2nc	OT90ELBB3TZ	1SCA022462R4230	4.5

Ordering information

Steel sheet enclosed safety switches

OT160...1250_RR3TZ
S00850A



OT90...1250_UR3TZ
S00507A



Safety switches with ring-flange cable entries, 3-pole, IP65, black handle

The delivery includes:

- Black pistol type handle (I-O / ON - OFF indication), grey enclosure
- Auxiliary contacts are wired to the terminal blocks in sizes 200A...800A
- PE-terminal
- Fixed divided cable entry with ring-flange entries. Entry plate fixing profiles are used also for mounting the safety switch
- Ring-flange covers with knock-out openings, (delivered unfastened), one knock-out opening / ring-flange cover. The number of ring-flange covers and the size of knock-out openings on the table below.

To be ordered separately:

- Ring-flanges; the table below illustrates the number of ring-flange entries / entry plate. Depending on the number of cables, ring-flange covers can be replaced by ring-flanges if required. The ordering information for ring-flanges on page 81...82.

Cable entries from top and bottom

Max. motor output/ AC-23A 230V [kW]	400V [kW]	500V [kW]	690V [kW]	Ring-flange		Auxiliary contacts included	Auxiliary contacts max.	Type	Order number	Weight /unit [kg]	
				entries/ side [pcs]	covers with knock-outs included [pcs]						
Divided cable entry with ring-flange entries on top and bottom											
45	75	75	75	4	3	3	1no+1nc	1no+1nc	OT160ELRR3TZ	1SCA022339R9910	19
55	110	132	160	4	3	3	2no+1nc	2no+1nc	OT200KLRR3TZ	1SCA022340R0770	21
75	132	160	200	4	3	3	2no+1nc	2no+1nc	OT250KLRR3TZ	1SCA022340R1150	21
90	160	200	250	4	3	3	2no+1nc	2no+1nc	OT315KLRR3TZ	1SCA022340R1580	21
110	220	280	355	4	2	3	2no+1nc	2no+1nc	OT400DLRR3TZ	1SCA022340R1910	27
180	315	400	560	4	2	2	2no+1nc	2no+1nc	OT630KLRR3TZ	1SCA022281R6230	31
200	400	500	710	4	2	2	2no+1nc	2no+1nc	OT800ELRR3TZ	1SCA022827R8390	31
315	560	710	1000	8	5	5	2no+1nc	2no+1nc	OT1000BLRR3TZ	1SCA022340R3520	66
315	560	710	1000	4	1	1	2no+1nc	2no+1nc	OT1000BBRR3TZ	1SCA022340R3100	63
400	710	900	1200	8	5	5	2no+1nc	2no+1nc	OT1250ELRR3TZ	1SCA102773R1001	66

Cable entries from bottom

Divided cable entry with ring-flange entries on bottom, blank entry plate on top

30	45	45	45	4	2	2	1no+1nc	1no+1nc	OT90AAUR3TZ	1SCA022303R2440	12
37	55	55	55	4	2	2	1no+1nc	1no+1nc	OT125EAUR3TZ	1SCA022281R6660	12
45	75	75	75	4	1	1	1no+1nc	1no+1nc	OT160EAUR3TZ	1SCA022340R0340	21
55	110	132	160	4	1	1	2no+1nc	2no+1nc	OT200KAUR3TZ	1SCA022281R6820	23
75	132	160	200	4	1	1	2no+1nc	2no+1nc	OT250KAUR3TZ	1SCA022281R7040	27
90	160	200	250	4	1	1	2no+1nc	2no+1nc	OT315KAUR3TZ	1SCA022281R7210	27
110	220	280	355	4	1	1	2no+1nc	2no+1nc	OT400DAUR3TZ	1SCA022281R7470	30
180	315	400	560	8	2	2	2no+1nc	2no+1nc	OT630KAUR3TZ	1SCA022281R7630	50
180	315	400	560	4	-	-	2no+1nc	2no+1nc	OT630KBUR3TZ	1SCA022340R2710	48
200	400	500	710	8	2	2	2no+1nc	2no+1nc	OT800EAUR3TZ	1SCA022827R8210	50
315	560	710	1000	8	1	1	2no+1nc	2no+1nc	OT1000BAUR3TZ	1SCA022340R3950	73
400	710	900	1200	8	1	1	2no+1nc	2no+1nc	OT1250EAUR3TZ	1SCA103273R1001	73

Ordering information

Steel sheet enclosed safety switches

OT160...1250_CC3TZ

S00849A



Safety switches with C-flange cable entries, 3-pole, IP65, black handle

The delivery includes:

- Black pistol type handle (I-O / ON - OFF indication), PE-terminal, grey enclosure
- Auxiliary contacts are wired to the terminal blocks in sizes 200A...800A
- Fixed cable entries with C-flange entries. Entry plate fixing profiles are used also for mounting the safety switch
- Cover flanges, (delivered unfastened), the number of cover flanges on the table below

To be ordered separately:

- C-flanges; the table below illustrates the number of C-flange entries / entry plate. Depending on the number of cables, cover flanges can be replaced by C-flanges if required. Ordering information for C-flanges, see page 83.

OT90...1250_UC3TZ

S00507A



Cable entries from top and bottom

Max. motor output/ AC-23A				C-flange entries/ side [pcs]	Cover flanges included [pcs]	Auxiliary contacts included	Auxiliary contacts max.	Type	Order number	Weight /unit [kg]
230V [kW]	400V [kW]	500V [kW]	690V [kW]							
C-flange entries on top and bottom										
30	45	45	45	1	-	1no+1nc	1no+1nc	OT90ALCC3TZ	1SCA022340R5490	12
37	55	55	55	1	-	1no+1nc	1no+1nc	OT125ELCC3TZ	1SCA022281R5260	12
45	75	75	75	2	2	1no+1nc	1no+1nc	OT160ELCC3TZ	1SCA022340R0180	19
55	110	132	160	2	2	2no+1nc	2no+1nc	OT200KLCC3TZ	1SCA022281R5420	21
75	132	160	200	2	2	2no+1nc	2no+1nc	OT250KLCC3TZ	1SCA022281R5690	21
90	160	200	250	2	2	2no+1nc	2no+1nc	OT315KLCC3TZ	1SCA022281R5850	21
110	220	280	355	2	2	2no+1nc	2no+1nc	OT400DLCC3TZ	1SCA022281R6070	27
180	315	400	560	2	2	2no+1nc	2no+1nc	OT630KLCC3TZ	1SCA022340R2390	31
200	400	500	710	2	2	2no+1nc	2no+1nc	OT800ELCC3TZ	1SCA022282R0700	31
315	560	710	1000	6	8	1no+1nc	2no+2nc	OT1000BLCC3TZ	1SCA022340R3790	67
315	560	710	1000	3	2	1no+1nc	2no+2nc	OT1000BBCC3TZ	1SCA022340R3360	63
400	710	900	1200	6	8	2no+1nc	2no+1nc	OT1250ELCC3TZ	1SCA102769R1001	63

Cable entries from bottom

Max. motor output/ AC-23A				C-flange entries/ bottom [pcs]	Cover flanges included [pcs]	Auxiliary contacts included	Auxiliary contacts max.	Type	Ordering number	Weight /unit [kg]
230V [kW]	400V [kW]	500V [kW]	690V [kW]							
C-flange entries on bottom, blank entry plate on top										
30	45	45	45	2	1	1no+1nc	1no+1nc	OT90AAUC3TZ	1SCA022339R1840	12
37	55	55	55	2	1	1no+1nc	1no+1nc	OT125EAUC3TZ	1SCA022339R2060	12
45	75	75	75	2	1	1no+1nc	1no+1nc	OT160EAUC3TZ	1SCA022340R0510	21
55	110	132	160	2	1	2no+1nc	2no+1nc	OT200KAUC3TZ	1SCA022340R0930	23
75	132	160	200	2	1	2no+1nc	2no+1nc	OT250KAUC3TZ	1SCA022340R1310	27
90	160	200	250	2	1	2no+1nc	2no+1nc	OT315KAUC3TZ	1SCA022340R1740	27
110	220	280	355	2	1	2no+1nc	2no+1nc	OT400DAUC3TZ	1SCA022340R2120	30
180	315	400	560	4	2	2no+1nc	2no+1nc	OT630KAUC3TZ	1SCA022340R2550	50
180	315	400	560	3	1	2no+1nc	2no+1nc	OT630KBUC3TZ	1SCA022340R2980	48
200	400	500	710	4	2	2no+1nc	2no+1nc	OT800EAUC3TZ	1SCA022827R9790	50
315	560	710	1000	6	3	2no+1nc	2no+1nc	OT1000BAUC3TZ	1SCA022340R4170	73
400	710	900	1200	6	3	2no+1nc	2no+1nc	OT1250EAUC3TZ	1SCA103274R1001	73

Ordering information

Steel sheet enclosed safety switches

OT16...75-UA3TZ
S07203



Safety switches, 3-pole, open bottom, IP65, black handle

The delivery includes a black handle (I-O/ON-OFF), PE-terminal and auxiliary contacts according to the following table. Grey enclosure.

Cable entries from bottom, open bottom

Max. motor output/				Size of	Auxiliary contacts included	Auxiliary contacts max.	Type	Order number	Weight /unit [kg]
AC-23A	suitable cable entry W x D [mm]								
230V [kW]	400V [kW]	500V [kW]	690V [kW]						

Pistol handle

Blank entry plate on top. Cable entry and flanges have to be ordered separately for bottom, see "Accessories", pages 80...82. Entry plate fixing profiles are also used for mounting the safety switches.

5.5	7.5	7.5	7.5	250 x 180	1no	2no+2nc	OT16EAU3TZ	1SCA022545R5150	11
7.5	15	15	15	250 x 180	1no	2no+2nc	OT25EAU3TZ	1SCA022530R5690	11
11	22	22	15	250 x 180	1no	2no+2nc	OT36EAU3TZ	1SCA022470R8840	9.8
22	37	37	37	250 x 180	1no	2no+2nc	OT75EAU3TZ	1SCA022470R9060	10

Ordering information

Steel sheet enclosed safety switches

OTL16...36T4M
S01211A



Safety switches, 4-pole, IP65, black handle

The delivery includes a black handle (I-O/ON-OFF), auxiliary contact 1 no and PE-terminal. Knock-out type cable openings included, cable outlets also for control cable. Compression glands and flanges have to be ordered separately, pages 83 and 85. Grey enclosure, equipped with hinges and lock.

OTL63T4M
S01335A



Cable entries from top and bottom

Max. motor output /				Cable outlets/ side	Auxiliary contacts included	Auxiliary contacts max.	Type	Order number	Weight /unit [kg]
AC-23A	230V [kW]	400V [kW]	500V [kW]						
Selector handle									
5.5	7.5	7.5	7.5	2xø25.5+ø16.5	1no	2no+2nc	OTL16T4M	1SCA022613R0140	1.8
7.5	15	15	15	2xø32.5+ø16.5	1no	2no+2nc	OTL25T4M	1SCA022613R0220	2.0
11	22	22	15	2xø32.5+ø16.5	1no	2no+2nc	OTL36T4M	1SCA022613R0310	2.0
Pistol handle									
18.5	30	30	30	2xø32.5+ø16.5	1no	2no+2nc	OTL63T4M	1SCA022613R0490	2.5
22	37	37	37	B-flange	1no	2no+2nc	OTL75T4B	1SCA022546R0910	3.4
22	45	45	45	B-flange	1no	2no+2nc	OTL90T4B	1SCA022546R1210	3.4

OTL75...90T4B
S01251A



Cable entries from bottom

Max. motor output /				Cable outlets / bottom side	Auxiliary contacts included	Auxiliary contacts max.	Type	Ordering number	Weight /unit [kg]
AC-23A	230V [kW]	400V [kW]	500V [kW]						
Selector handle									
5.5	7.5	7.5	7.5	B-flange	1no	2no+2nc	OTL16T4B	1SCA022580R5150	1.8
7.5	15	15	15	B-flange	1no	2no+2nc	OTL25T4B	1SCA022580R5310	2.0
11	22	22	15	B-flange	1no	2no+2nc	OTL36T4B	1SCA022580R5400	2.0
18.5	30	30	30	B-flange	1no	1no+1nc	OTL63T4B	1SCA022580R5580	2.1

OTL16...63T4B
S01334A



Ordering information

Steel sheet enclosed safety switches

OT160...800
S00850A



Safety switches with ring-flange cable entries, 4-pole, IP65, black handle

The delivery includes:

- Black pistol type handle (I-O / ON - OFF indication), grey enclosure
- Auxiliary contacts are wired to the terminal blocks in sizes 200A...800A
- PE-terminal
- Fixed divided cable entry with ring-flange entries. Entry plate fixing profiles are used also for mounting the safety switch
- Ring-flange covers with knock-out openings, (delivered unfastened), one knock-out opening / ring-flange cover. The number of ring-flange covers and the size of knock-out openings on the table below.

To be ordered separately:

- Ring-flanges; the table below illustrates the number of ring-flange entries / entry plate. Depending on the number of cables, ring-flange covers can be replaced by ring-flanges if required. The ordering information for ring-flanges on page 81...82.

Cable entries from top and bottom

Max. motor output/ AC-23A				Ring- flange entries/ side			Ring-flange covers with knock-outs [pcs]		Auxiliary contacts included	Auxiliary contacts max.	Type	Ordering number	Weight /unit [kg]
230V [kW]	400V [kW]	500V [kW]	690V [kW]	[pcs]	ø25,5	ø40,5							
Divided cable entry with ring-flange entries on top and bottom													
45	75	75	75	4	3	3	1no+1nc	1no+1nc	OT160ELRR4TZ	1SCA022461R5240	20		
55	110	132	160	4	3	3	2no+1nc	2no+1nc	OT200KLRR4TZ	1SCA022461R5410	22		
75	132	160	200	4	3	3	2no+1nc	2no+1nc	OT250KLRR4TZ	1SCA022461R5670	22		
90	160	200	250	4	3	3	2no+1nc	2no+1nc	OT315KLRR4TZ	1SCA022461R5830	22		
110	220	280	355	4	2	3	2no+1nc	2no+1nc	OT400DLRR4TZ	1SCA022461R6050	29		
180	315	400	560	4	2	3	2no+1nc	2no+1nc	OT630KLRR4TZ	1SCA022461R6210	33		
200	400	500	710	4	2	3	2no+1nc	2no+1nc	OT800ELRR4TZ	1SCA022828R1260	33		

Ordering information

Steel sheet enclosed safety switches

OT90...800
S00849A



Safety switches with C-flange cable entries, 4-pole, IP65, black handle

The delivery includes:

- Black pistol type handle (I-O / ON - OFF indication), grey enclosure
- Auxiliary contacts are wired to the terminal blocks in sizes 200A...800A
- PE-terminal
- Fixed cable entries with C-flange entries. Entry plate fixing profiles are used also for mounting the safety switch
- Cover flanges, (delivered unfastened), the number of cover flanges on the table below

To be ordered separately:

- C-flanges; the table below illustrates the number of C-flange entries / entry plate. Depending on the number of cables, cover flanges can be replaced by C-flanges if required. Ordering information for C-flanges, see page 83.

Cable entries from top and bottom

Max. motor output/ AC-23A				C-flange entries/ side	Cover flanges included	Auxiliary contacts included	Auxiliary contacts max.	Type	Ordering number	Weight /unit [kg]
230V [kW]	400V [kW]	500V [kW]	690V [kW]	[pcs]	[pcs]					
C-flange entries on top and bottom										
30	45	45	45	1	-	1no+1nc	1no+1nc	OT90ALCC4TZ	1SCA022461R5080	13
37	55	55	55	1	-	1no+1nc	1no+1nc	OT125ELCC4TZ	1SCA022461R5160	13
45	75	75	75	2	2	1no+1nc	1no+1nc	OT160ELCC4TZ	1SCA022461R5320	20
55	110	132	160	2	2	2no+1nc	2no+1nc	OT200KLCC4TZ	1SCA022461R5590	22
75	132	160	200	2	2	2no+1nc	2no+1nc	OT250KLCC4TZ	1SCA022461R5750	22
90	160	200	250	2	2	2no+1nc	2no+1nc	OT315KLCC4TZ	1SCA022461R5910	22
110	220	280	355	2	2	2no+1nc	2no+1nc	OT400DLCC4TZ	1SCA022461R6130	29
180	315	400	560	2	2	2no+1nc	2no+1nc	OT630KLCC4TZ	1SCA022461R6130	33
200	400	500	710	2	2	2no+1nc	2no+1nc	OT800ELCC4TZ	1SCA022828R1420	33

Ordering information

Steel sheet enclosed safety switches

OT16T6M
S01211A



Safety switches, 6-pole, IP65, black handle

The delivery includes a black handle (I-O/ON-OFF) PE-terminal and auxiliary contact 1 no. Knock-out type cable openings included, cable outlets also for control cable. Compression glands and flanges have to be ordered separately, pages 83 and 85.

Hinged cover, cable entries from top and bottom

Grey enclosure, equipped with hinges and lock.

OTL25...36T6M
S01335A



Max. motor output/ AC-23A				Cable outlets/ side	Auxiliary contacts included	Auxiliary contacts max.	Type	Order number	Weight /unit [kg]
230V [kW]	400V [kW]	500V [kW]	690V [kW]						
Selector handle									
5.5	7.5	7.5	7.5	2xø25.5+ø16.5	1no	2no+2nc	OTL16T6M	1SCA022613R0570	1.8
Pistol handle									
7.5	15	15	15	2xø32.5+ø16.5	1no	1no+1nc	OTL25T6M	1SCA022613R0650	2.5
7.5	15	15	15	B-flange	1no	1no+1nc	OTL25T6B	1SCA022580R8090	3.4
11	22	22	15	2xø32.5+ø16.5	1no	1no+1nc	OTL36T6M	1SCA022613R0730	2.5
11	22	22	15	B-flange	1no	1no+1nc	OTL36T6B	1SCA022580R8170	3.4
22	37	37	37	B-flange	1no	1no	OTL75T6B	1SCA022546R1040	3.6
22	37	37	37	-	1no	1no	OTL75T6U	1SCA022730R9160	3.6
22	45	45	45	B-flange	1no	1no	OTL90T6B	1SCA022546R1390	3.6
22	45	45	45	-	1no	1no	OTL90T6U	1SCA022730R9240	3.6

OTL75...90T6B
S01251A



Hinged cover, cable entries from bottom

Grey enclosure, equipped with hinges and lock.

OTL16T6B
S01334A



Max. motor output / AC-23A				Cable outlets/ bottom side	Auxiliary contacts included	Auxiliary contacts max.	Type	Ordering number	Weight /unit [kg]
230V [kW]	400V [kW]	500V [kW]	690V [kW]						
Selector handle									
5.5	7.5	7.5	7.5	B-flange	1no	2no+2nc	OTL16T6B	1SCA022580R5230	1.8

Screw fixed cover, cable entries from top and bottom

Grey enclosure, screw fixed cover.

OT25...75_6TZ
S07227



Max. motor output/ AC-23A				Cable outlets/ side	Auxiliary contacts included	Auxiliary contacts max.	Type	Ordering number	Weight /unit [kg]
230V [kW]	400V [kW]	500V [kW]	690V [kW]						
Pistol handle									
7.5	15	15	15	2xø32+ø16	1no	2no+2nc	OT25ELMM6TZ	1SCA022693R2980	4.0
22	37	37	37	B-flange	1no	2no+2nc	OT75ELBB6TZ	1SCA022462R4660	4.0

Ordering information

Steel sheet enclosed safety switches

OT90...1000_RR6TZ
S00850A



OT90...630_UR6TZ
S07201



Safety switches with ring-flange cable entries, 6-pole, IP65, black handle

The delivery includes:

- Black pistol type handle (I-O / ON - OFF indication), grey enclosure
- Auxiliary contacts are wired to the terminal blocks in sizes 200A...800A
- PE-terminal
- Fixed divided cable entry with ring-flange entries. Entry plate fixing profiles are used also for mounting the safety switch
- Ring-flange covers with knock-out openings, (delivered unfastened), one knock-out opening / ring-flange cover. The number of ring-flange covers and the size of knock-out openings on the table below.

To be ordered separately:

- Ring-flanges; the table below illustrates the number of ring-flange entries / entry plate. Depending on the number of cables, ring-flange covers can be replaced by ring-flanges if required. The ordering information for ring-flanges on page 81...82.

Cable entries from top and bottom

Max. motor output/ AC-23A 230V [kW]	400V [kW]	500V [kW]	690V [kW]	Ring-flange		Auxiliary contacts included	Auxiliary contacts max.	Type	Order number	Weight /unit [kg]	
				Ring- flange entries/ side [pcs]	covers with knock-outs included [pcs]						
Divided cable entry with ring-flange entries on top and bottom											
30	45	45	45	4	2	2	2no+2nc	2no+2nc	OT90ALRR6TZ	1SCA022340R4500	14
37	55	55	55	4	2	2	2no+2nc	2no+2nc	OT125ELRR6TZ	1SCA022340R4920	14
45	75	75	75	4	2	2	2no+2nc	2no+2nc	OT160ELRR6TZ	1SCA022340R5310	29
55	110	132	160	8	6	6	4no+2nc	4no+2nc	OT200KLRR6TZ	1SCA022340R5730	37
75	132	160	200	8	4	4	4no+2nc	4no+2nc	OT250KLRR6TZ	1SCA022338R7490	42
90	160	200	250	8	4	4	4no+2nc	4no+2nc	OT315KLRR6TZ	1SCA022338R7810	42
110	220	280	355	8	4	4	4no+2nc	4no+2nc	OT400DLRR6TZ	1SCA022338R8200	45
180	315	400	560	8	4	4	4no+2nc	4no+2nc	OT630KLRR6TZ	1SCA022338R8620	54
200	400	500	710	8	4	4	4no+2nc	4no+2nc	OT800ELRR6TZ	1SCA022827R8470	54
250	500	600	800	8	2	2	2no+2nc	4no+2nc	OT1000BLRR6TZ	1SCA022338R9010	90

Cable entries from bottom

Divided cable entry with ring-flange entries on bottom, blank entry plate on top

30	45	45	45	4	2	2	2no+2nc	2no+2nc	OT90AAUR6TZ	1SCA022360R1910	22
37	55	55	55	4	2	2	2no+2nc	2no+2nc	OT125EAUR6TZ	1SCA022325R0350	22
45	75	75	75	4	2	2	2no+2nc	2no+2nc	OT160EAUR6TZ	1SCA022360R2210	32
55	110	132	160	8	2	2	2no+1nc	2no+1nc	OT200KAUR6TZ	1SCA022339R0010	39
75	132	160	200	8	2	2	2no+1nc	2no+1nc	OT250KAUR6TZ	1SCA022360R2560	45
90	160	200	250	8	2	-	2no+1nc	2no+1nc	OT315KAUR6TZ	1SCA022360R2720	45
110	220	280	355	8	2	-	2no+1nc	2no+1nc	OT400DAUR6TZ	1SCA022360R2990	48
180	315	400	560	8	2	-	2no+1nc	2no+1nc	OT630KAUR6TZ	1SCA022460R9940	85

Ordering information

Steel sheet enclosed safety switches

OT90...1000_CC6TZ
S00849A



OT90...630_UC6TZ
S07202



Safety switches with C-flange cable entries, 6-pole, IP65, black handle

The delivery includes:

- Black pistol type handle (I-O / ON - OFF indication), grey enclosure
- Auxiliary contacts are wired to the terminal blocks in sizes 200A...800A
- PE-terminal
- Fixed cable entries with C-flange entries. Entry plate fixing profiles are used also for mounting the safety switch
- Cover flanges, (delivered unfastened), the number of cover flanges on the table below

To be ordered separately:

- C-flanges; the table below illustrates the number of C-flange entries / entry plate. Depending on the number of cables, cover flanges can be replaced by C-flanges if required. Ordering information for C-flanges, see page 83.

Cable entries from top and bottom

Max. motor output/ AC-23A				C-flange entries/ side	Cover flanges included	Auxiliary contacts included	Auxiliary contacts max.	Type	Order number	Weight /unit [kg]
230V [kW]	400V [kW]	500V [kW]	690V [kW]							
C-flange entries on top and bottom										
30	45	45	45	2	2	2no+2nc	2no+2nc	OT90ALCC6TZ	1SCA022340R4760	14
37	55	55	55	2	2	2no+2nc	2no+2nc	OT125ELCC6TZ	1SCA022340R5140	14
45	75	75	75	2	2	2no+2nc	2no+2nc	OT160ELCC6TZ	1SCA022340R5570	29
55	110	132	160	4	4	4no+2nc	4no+2nc	OT200KLCC6TZ	1SCA022338R7220	37
75	132	160	200	4	4	4no+2nc	4no+2nc	OT250KLCC6TZ	1SCA022338R7650	42
90	160	200	250	4	4	4no+2nc	4no+2nc	OT315KLCC6TZ	1SCA022338R8030	42
110	220	280	355	4	4	4no+2nc	4no+2nc	OT400DLCC6TZ	1SCA022338R8460	45
180	315	400	560	4	4	4no+2nc	4no+2nc	OT630KLCC6TZ	1SCA022338R8890	54
200	400	500	710	4	4	4no+2nc	4no+2nc	OT800ELCC6TZ	1SCA022828R2230	54
250	500	600	800	6	4	2no+2nc	4no+2nc	OT1000BLCC6TZ	1SCA022338R9270	91

Cable entries from bottom

Max. motor output/ AC-23A				C-flange entries/ bottom	Cover flanges included	Auxiliary contacts included	Auxiliary contacts max.	Type	Ordering number	Weight /unit [kg]
230V [kW]	400V [kW]	500V [kW]	690V [kW]							
C-flange entries on bottom, blank entry plate on top										
30	45	45	45	2	1	2no+2nc	2no+2nc	OT90AAUC6TZ	1SCA022360R2130	22
37	55	55	55	2	1	2no+2nc	2no+2nc	OT125EAUC6TZ	1SCA022338R9600	22
45	75	75	75	2	1	2no+2nc	2no+2nc	OT160EAUC6TZ	1SCA022360R2300	32
55	110	132	160	4	2	2no+1nc	2no+1nc	OT200KAUC6TZ	1SCA022339R0280	39
75	132	160	200	4	2	2no+1nc	2no+1nc	OT250KAUC6TZ	1SCA022360R2640	45
90	160	200	250	4	1	2no+1nc	2no+1nc	OT315KAUC6TZ	1SCA022360R2810	45
110	220	280	355	4	1	2no+1nc	2no+1nc	OT400DAUC6TZ	1SCA022360R3020	48
180	315	400	560	6	2	2no+1nc	2no+1nc	OT630KAUC6TZ	1SCA022460R9860	85

Ordering information

Steel sheet enclosed safety switches

OT16...90_3T
S00822A



Safety switches, 3, 4 and 6-pole, IP54, black handle

The delivery includes a black handle (I-O/ON-OFF), PE-terminal and auxiliary contacts according to the table below. Grey enclosure, screw fixed cover. Knock-out openings included, also for control cable. Compression glands and flanges have to be ordered separately, pages 83 and 85.

OT16...90_4T
S00822A



3-pole, cable entries from top and bottom

Max. motor output/ AC-23A				Cable outlets/ side	Auxiliary contacts included	Auxiliary contacts max.	Type	Ordering number	Weight /unit [kg]
230V [kW]	400V [kW]	500V [kW]	690V [kW]						
Selector handle									
5.5	7.5	7.5	7.5	2xø25+ø16	1no	2no+2nc	OT16ELMM3T	1SCA022472R6070	1.6
5.5	7.5	7.5	7.5	2xø25+ø16	-	2no+2nc	OT16ELMM3T1	1SCA022472R6150	1.6
7.5	15	15	15	2xø32+ø16	1no	2no+2nc	OT25ELMM3T	1SCA022472R6230	1.6
11	22	22	15	2xø32+ø16	1no	2no+2nc	OT36ELMM3T	1SCA022472R6310	1.7
18.5	30	30	30	2xø32+ø16	1no	2no+2nc	OT63ELMM3T	1SCA022473R0000	3.7
22	37	37	37	B-flange	1no	2no+2nc	OT75ELBB3T	1SCA022462R3000	4.5
22	45	45	45	B-flange	1no	2no+2nc	OT90ELBB3T	1SCA022462R3180	4.5

OT16ELMM6T
S00822A



4-pole, cable entries from top and bottom

Max. motor output/ AC-23A				Cable outlets/ side	Auxiliary contacts included	Auxiliary contacts max.	Type	Order number	Weight /unit [kg]
230V [kW]	400V [kW]	500V [kW]	690V [kW]						
Selector handle									
5.5	7.5	7.5	7.5	2xø25+ø16	1no	2no+2nc	OT16ELMM4T	1SCA022472R6910	1.6
7.5	15	15	15	2xø32+ø16	1no	2no+2nc	OT25ELMM4T	1SCA022472R7040	1.6
11	22	22	15	2xø32+ø16	1no	2no+2nc	OT36ELMM4T	1SCA022472R7120	1.7
18.5	30	30	30	2xø32+ø16	1no	2no+2nc	OT63ELMM4T	1SCA022473R0180	3.7
22	37	37	37	B-flange	1no	2no+2nc	OT75ELBB4T	1SCA022472R6740	4.5
22	45	45	45	B-flange	1no	2no+2nc	OT90ELBB4T	1SCA022472R6820	4.5

OT25...75_6T
S07227



6-pole, cable entries from top and bottom

Max. motor output/ AC-23A				Cable outlets/ side	Auxiliary contacts included	Auxiliary contacts max.	Type	Ordering number	Weight /unit [kg]
230V [kW]	400V [kW]	500V [kW]	690V [kW]						
Selector handle									
5.5	7.5	7.5	7.5	2xø25+ø16	1no	2no+2nc	OT16ELMM6T	1SCA022473R3100	1.9
Pistol handle									
7.5	15	15	15	2xø32+ø16	1no	2no+2nc	OT25ELMM6T	1SCA022473R3280	4.0
11	22	22	15	2xø32+ø16	1no	2no+2nc	OT36ELMM6T	1SCA022472R9840	4.0
18.5	30	30	30	2xø32+ø16	1no	2no+2nc	OT63ELMM6T	1SCA022473R0260	4.0
22	37	37	37	B-flange	1no	2no+2nc	OT75ELBB6T	1SCA022462R3510	4.0

Ordering information

Steel sheet enclosed safety switches

OT90...1000_AA3T
S00834A



OT36...1000_UA3T
S07203



Safety switches, 3-pole, IP54, black handle

The delivery includes a black handle (I-O/ON-OFF), PE-terminal and auxiliary contacts according to the table below. Grey enclosure.

Cable entries from top and bottom, open top and bottom

Max. motor output/ AC-23A				Size of suitable cable entry W x D		Auxiliary contacts included	Auxiliary contacts max.	Type	Order number	Weight /unit [kg]
230V [kW]	400V [kW]	500V [kW]	690V [kW]	[mm]						

Pistol handle

Cable entries and flanges have to be ordered separately, see "Accessories", page 81...83.

Entry plate fixing profiles are also used for mounting the safety switches.

30	45	45	45	250 x 180	1no+1nc	1no+1nc	OT90ALAA3T	1SCA022281R7390	9.8
37	55	55	55	250 x 180	1no+1nc	1no+1nc	OT125ELAA3T	1SCA022277R3240	9.8
45	75	75	75	400 x 230	1no+1nc	1no+1nc	OT160ELAA3T	1SCA022281R7550	15
55	110	132	160	400 x 230	2no+1nc	2no+1nc	OT200KLA3T	1SCA022277R3830	17
75	132	160	200	400 x 230	2no+1nc	2no+1nc	OT250KLA3T	1SCA022277R4480	17
90	160	200	250	400 x 230	2no+1nc	2no+1nc	OT315KLA3T	1SCA022276R8910	17
110	220	280	355	400 x 230	2no+1nc	2no+1nc	OT400DLAA3T	1SCA022276R9560	23
180	315	400	560	400 x 230	2no+1nc	2no+1nc	OT630KLA3T	1SCA022277R0140	27
200	400	500	710	400 x 230	2no+1nc	2no+1nc	OT800ELAA3T	1SCA022828R0530	27
315	560	710	1000	800 x 330	2no+1nc	2no+1nc	OT1000BLAA3T	1SCA022277R0730	56

Cable entries from bottom, open bottom

Max. motor output/ AC-23A				Size of suitable cable entry W x D		Auxiliary contacts included	Auxiliary contacts max.	Type	Order number	Weight /unit [kg]
230V [kW]	400V [kW]	500V [kW]	690V [kW]	[mm]						

Pistol handle

Blank entry plate on top. Cable entry and flanges have to be ordered separately for bottom, see "Accessories", page

81...83. Entry plate fixing profiles are also used for mounting the safety switches.

11	22	22	15	250 x 180	1no	2no+2nc	OT36EAU3T	1SCA022470R8760	9.8
22	37	37	37	250 x 180	1no	2no+2nc	OT75EAU3T	1SCA022470R8920	10
30	45	45	45	400 x 230	1no+1nc	1no+1nc	OT90AAUA3T	1SCA022299R0420	10
37	55	55	55	400 x 230	1no+1nc	1no+1nc	OT125EAU3T	1SCA022277R3670	10
45	75	75	75	400 x 230	1no+1nc	1no+1nc	OT160EAU3T	1SCA022299R0690	19
55	110	132	160	400 x 230	2no+1nc	2no+1nc	OT200KAUA3T	1SCA022277R4210	21
75	132	160	200	400 x 230	2no+1nc	2no+1nc	OT250KAUA3T	1SCA022276R8750	25
90	160	200	250	400 x 230	2no+1nc	2no+1nc	OT315KAUA3T	1SCA022276R9300	25
110	220	280	355	400 x 230	2no+1nc	2no+1nc	OT400DAUA3T	1SCA022276R9990	28
180	315	400	560	800 x 230	2no+1nc	2no+1nc	OT630KAUA3T	1SCA022277R0570	46
180	315	400	560	400 x 330	2no+1nc	2no+1nc	OT630KBUA3T	1SCA022284R1510	46
200	400	500	710	800 x 230	2no+1nc	2no+1nc	OT800EAU3T	1SCA022827R9610	46
315	560	710	1000	800 x 330	2no+1nc	2no+1nc	OT1000BAUA3T	1SCA022277R1110	68

Ordering information

Steel sheet enclosed safety switches

OT90...1000_AA6T
S00834A



Safety switches, 6-pole, IP54, black handle

The delivery includes a black handle (I-O/ON-OFF), PE-terminal and auxiliary contacts according to the table below. Grey enclosure.

Cable entries from top and bottom, open top and bottom

Max. motor output/ AC-23A				Size of suitable cable entry W x D	Auxiliary contacts included	Auxiliary contacts max.	Type	Order number	Weight /unit [kg]
230V [kW]	400V [kW]	500V [kW]	690V [kW]	[mm]					

Pistol handle

Cable entries and flanges have to be ordered separately, see "Accessories", page 81...83.

Entry plate fixing profiles are also used for mounting the safety switches.

30	45	45	45	400 x 230	2no+2nc	2no+2nc	OT90ALAA6T	1SCA022299R2630	10
37	55	55	55	400 x 230	2no+2nc	2no+2nc	OT125ELAA6T	1SCA022277R3410	10
45	75	75	75	400 x 230	2no+2nc	2no+2nc	OT160ELAA6T	1SCA022299R2800	25
55	110	132	160	800 x 230	4no+2nc	4no+2nc	OT200KLA6T	1SCA022277R4050	29
75	132	160	200	800 x 230	4no+2nc	4no+2nc	OT250KLA6T	1SCA022277R4640	34
90	160	200	250	800 x 230	4no+2nc	4no+2nc	OT315KLA6T	1SCA022276R9130	34
110	220	280	355	800 x 230	4no+2nc	4no+2nc	OT400DLAA6T	1SCA022276R9720	37
180	315	400	560	800 x 230	4no+2nc	4no+2nc	OT630KLA6T	1SCA022277R0310	46
200	400	500	710	800 x 230	4no+2nc	4no+2nc	OT800ELAA6T	1SCA022828R2150	46
250	500	600	800	800 x 330	2no+2nc	4no+2nc	OT1000BLAA6T	1SCA022277R0900	81

Cable entries from bottom, open bottom

Max. motor output/ AC-23A				Size of suitable cable entry W x D	Auxiliary contacts included	Auxiliary contacts max.	Type	Order number	Weight /unit [kg]
230V [kW]	400V [kW]	500V [kW]	690V [kW]	[mm]					

Pistol handle

Blank entry plate on top. Cable entry and flanges have to be ordered separately for bottom, see "Accessories", page

81...83. Entry plate fixing profiles are also used for mounting the safety switches.

30	45	45	45	400 x 230	2no+2nc	2no+2nc	OT90AAUA6T	1SCA022360R1830	20
37	55	55	55	400 x 230	2no+2nc	2no+2nc	OT125EAUA6T	1SCA022325R0190	20
45	75	75	75	400 x 230	2no+2nc	2no+2nc	OT160EAUA6T	1SCA022335R5020	30
55	110	132	160	800 x 230	4no+2nc	4no+2nc	OT200KAUA6T	1SCA022338R9430	35
75	132	160	200	800 x 230	4no+2nc	4no+2nc	OT250KAUA6T	1SCA022360R2480	41
90	160	200	250	800 x 230	4no+2nc	4no+2nc	OT315KAUA6T	1SCA022335R4480	41
110	220	280	355	800 x 230	4no+2nc	4no+2nc	OT400DAUA6T	1SCA022335R4640	44
180	315	400	560	1000 x 330	4no+2nc	4no+2nc	OT630KAUA6T	1SCA022438R2040	80

OT90...630_UA6T
S00507A



Ordering information

Steel sheet enclosed safety switches

OTL16...36A3M
S01345A



Safety switches, 3-pole, IP65, red-yellow handle

The delivery includes a red-yellow handle (I-O/ON-OFF), auxiliary contact 1 no and PE-terminal. Knock-out type cable openings included, cable outlets also for control cable. Compression glands and flanges have to be ordered separately, pages 83 and 85. Grey enclosure, equipped with hinges and lock.

OTL63A3M
S01346A



Cable entries from top and bottom

Max. motor output/ AC-23A				Cable outlets/ side	Auxiliary contacts included	Auxiliary contacts max.	Type	Ordering number	Weight /unit [kg]
230V [kW]	400V [kW]	500V [kW]	690V [kW]						
Selector handle									
5.5	7.5	7.5	7.5	2×ø25.5+ø16.5	1no	2no+2nc	OTL16A3M	1SCA022612R8750	1.7
7.5	15	15	15	2×ø32.5+ø16.5	1no	2no+2nc	OTL25A3M	1SCA022612R8830	1.9
11	22	22	15	2×ø32.5+ø16.5	1no	2no+2nc	OTL36A3M	1SCA022612R8910	1.9
Pistol handle									
18.5	30	30	30	2×ø32.5+ø16.5	1no	2no+2nc	OTL63A3M	1SCA022612R9050	2.4
22	37	37	37	B-flange	1no	2no+2nc	OTL75A3B	1SCA022555R7580	3.3
22	37	37	37	-	1no	2no+2nc	OTL75A3U	1SCA022707R7610	3.3
22	45	45	45	B-flange	1no	2no+2nc	OTL90A3B	1SCA022555R7820	3.3
22	45	45	45	-	1no	2no+2nc	OTL90A3U	1SCA022707R7790	3.3

OTL75...90A3B
S01347A



Cable entries from bottom

Max. motor output/ AC-23A				Cable outlets/ bottom side	Auxiliary contacts included	Auxiliary contacts max.	Type	Ordering number	Weight /unit [kg]
230V [kW]	400V [kW]	500V [kW]	690V [kW]						
Selector handle									
5.5	7.5	7.5	7.5	B-flange	1no	2no+2nc	OTL16A3B	1SCA022575R1630	1.7
7.5	15	15	15	B-flange	1no	2no+2nc	OTL25A3B	1SCA022575R1710	1.9
11	22	22	15	B-flange	1no	2no+2nc	OTL36A3B	1SCA022575R1800	1.9
18.5	30	30	30	B-flange	1no	2no+2nc	OTL63A3B	1SCA022575R1980	2.0

OTL16...63A3B
S01348A



Ordering information

Steel sheet enclosed safety switches

OT160...1250_RR3AZ
S01764A



Safety switches with ring-flange cable entries, 3-pole, IP65, red-yellow handle

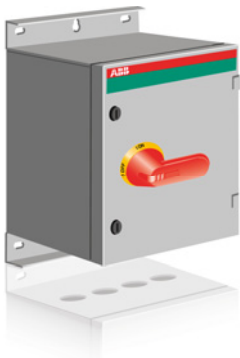
The delivery includes:

- Red-yellow pistol type handle (I-O / ON - OFF indication), grey enclosure
- Auxiliary contacts are wired to the terminal blocks in sizes 200A...800A
- PE-terminal
- Fixed divided cable entry with ring-flange entries. Entry plate fixing profiles are used also for mounting the safety switch
- Ring-flange covers with knock-out openings, (delivered unfastened), one knock-out opening / ring-flange cover. The number of ring-flange covers and the size of knock-out openings on the table below.

To be ordered separately:

- Ring-flanges; the table below illustrates the number of ring-flange entries / entry plate. Depending on the number of cables, ring-flange covers can be replaced by ring-flanges if required. The ordering information for ring-flanges on page 81...82.

OT90...1250_UR3AZ
S00870A



Cable entries from top and bottom

Max. motor output/ AC-23A				Ring- flange entries/ side	Ring-flange covers with knock-outs included	Auxiliary contacts included	Auxiliary contacts max.	Type	Ordering number	Weight /unit [kg]	
[kW]	[kW]	[kW]	[kW]	[pcs]	ø25,5	ø40,5					
230V	400V	500V	690V								
Divided cable entry with ring-flange entries on top and bottom											
45	75	75	75	4	3	3	1no+1nc	1no+1nc	OT160ELRR3AZ	1SCA022512R7220	19
55	110	132	160	4	3	3	2no+1nc	2no+1nc	OT200KLRR3AZ	1SCA022512R7310	21
75	132	160	200	4	3	3	2no+1nc	2no+1nc	OT250KLRR3AZ	1SCA022512R7490	21
90	160	200	250	4	3	3	2no+1nc	2no+1nc	OT315KLRR3AZ	1SCA022512R7570	21
110	220	280	355	4	2	3	2no+1nc	2no+1nc	OT400DLRR3AZ	1SCA022512R7650	27
180	315	400	560	4	2	2	2no+1nc	2no+1nc	OT630KLRR3AZ	1SCA022512R7730	31
200	400	500	710	4	2	2	2no+1nc	2no+1nc	OT800ELRR3AZ	1SCA022828R1180	31
315	560	710	1000	8	5	5	2no+1nc	2no+1nc	OT1000BLRR3AZ	1SCA022512R7810	66
315	560	710	1000	4	1	1	2no+1nc	2no+1nc	OT1000BRR3AZ	1SCA022543R2060	63
400	710	900	1200	8	5	5	2no+1nc	2no+1nc	OT1250ELRR3AZ	1SCA102772R1001	66

Cable entries from bottom

Divided cable entry with ring-flange entries on bottom, blank entry plate on top

30	45	45	45	4	2	2	1no+1nc	1no+1nc	OT90AAUR3AZ	1SCA022513R0790	12
37	55	55	55	4	2	2	1no+1nc	1no+1nc	OT125EAUR3AZ	1SCA022513R0870	12
45	75	75	75	4	1	1	1no+1nc	1no+1nc	OT160EAUR3AZ	1SCA022513R0950	21
55	110	132	160	4	1	1	2no+1nc	2no+1nc	OT200KAUR3AZ	1SCA022513R1090	23
75	132	160	200	4	1	1	2no+1nc	2no+1nc	OT250KAUR3AZ	1SCA022513R1170	27
90	160	200	250	4	1	1	2no+1nc	2no+1nc	OT315KAUR3AZ	1SCA022513R1250	27
110	220	280	355	4	1	1	2no+1nc	2no+1nc	OT400DAUR3AZ	1SCA022513R1330	30
180	315	400	560	8	2	2	2no+1nc	2no+1nc	OT630KAUR3AZ	1SCA022513R1410	50
180	315	400	560	4	-	-	2no+1nc	2no+1nc	OT630KBUR3AZ	1SCA022542R6720	48
200	400	500	710	8	2	2	2no+1nc	2no+1nc	OT800EAUR3AZ	1SCA022828R0020	50
315	560	710	1000	8	1	1	2no+1nc	2no+1nc	OT1000BAUR3AZ	1SCA022513R1500	73
400	710	900	1200	8	1	1	2no+1nc	2no+1nc	OT1250EAUR3AZ	1SCA103275R1001	73

Ordering information

Steel sheet enclosed safety switches

OT90...1250_CC3AZ
S01768A



OT90...1250_UC3AZ
S00870A



Safety switches with C-flange cable entries, 3-pole, IP65, red-yellow handle

The delivery includes:

- Red-yellow pistol type handle (I-O / ON - OFF indication), PE-terminal, grey enclosure
- Auxiliary contacts are wired to the terminal blocks in sizes 200A...800A
- Fixed cable entries with C-flange entries. Entry plate fixing profiles are used also for mounting the safety switch
- Cover flanges, (delivered unfastened), the number of cover flanges on the table below

To be ordered separately:

- C-flanges; the table below illustrates the number of C-flange entries / entry plate. Depending on the number of cables, cover flanges can be replaced by C-flanges if required. Ordering information for C-flanges, see page 83.

Cable entries from top and bottom

Max. motor output/ AC-23A				C-flange entries/ side	Cover flanges included	Auxiliary contacts included	Auxiliary contacts max.	Type	Order number	Weight /unit [kg]
230V [kW]	400V [kW]	500V [kW]	690V [kW]							
C-flange entries on top and bottom										
30	45	45	45	1	-	1no+1nc	1no+1nc	OT90ALCC3AZ	1SCA022512R6090	12
37	55	55	55	1	-	1no+1nc	1no+1nc	OT125ELCC3AZ	1SCA022512R6170	12
45	75	75	75	2	2	1no+1nc	1no+1nc	OT160ELCC3AZ	1SCA022512R6250	19
55	110	132	160	2	2	2no+1nc	2no+1nc	OT200KLCC3AZ	1SCA022512R6330	21
75	132	160	200	2	2	2no+1nc	2no+1nc	OT250KLCC3AZ	1SCA022512R6410	21
90	160	200	250	2	2	2no+1nc	2no+1nc	OT315KLCC3AZ	1SCA022512R6500	21
110	220	280	355	2	2	2no+1nc	2no+1nc	OT400DLCC3AZ	1SCA022512R6680	27
180	315	400	560	2	2	2no+1nc	2no+1nc	OT630KLCC3AZ	1SCA022512R6760	31
200	400	500	710	2	2	2no+1nc	2no+1nc	OT800ELCC3AZ	1SCA022828R1000	31
315	560	710	1000	6	8	2no+1nc	2no+1nc	OT1000BLCC3AZ	1SCA022512R6840	67
315	560	710	1000	3	2	2no+1nc	2no+1nc	OT1000BCC3AZ	1SCA022512R6920	63
400	710	900	1200	6	8	2no+1nc	2no+1nc	OT1250ELCC3AZ	1SCA102768R1001	67

Cable entries from bottom

Max. motor output/ AC-23A				C-flange entries/ bottom	Cover flanges included	Auxiliary contacts included	Auxiliary contacts max.	Type	Ordering number	Weight /unit [kg]
230V [kW]	400V [kW]	500V [kW]	690V [kW]							
C-flange entries on bottom, blank entry plate on top										
30	45	45	45	2	1	1no+1nc	1no+1nc	OT90AAUC3AZ	1SCA022512R9780	12
37	55	55	55	2	1	1no+1nc	1no+1nc	OT125EAUC3AZ	1SCA022512R9860	12
45	75	75	75	2	1	1no+1nc	2no+1nc	OT160EAUC3AZ	1SCA022512R9940	21
55	110	132	160	2	1	2no+1nc	2no+1nc	OT200KAUC3AZ	1SCA022513R0010	23
75	132	160	200	2	1	2no+1nc	2no+1nc	OT250KAUC3AZ	1SCA022513R0100	27
90	160	200	250	2	1	2no+1nc	2no+1nc	OT315KAUC3AZ	1SCA022513R0280	27
110	220	280	355	2	1	2no+1nc	2no+1nc	OT400DAUC3AZ	1SCA022513R0360	30
180	315	400	560	4	2	2no+1nc	2no+1nc	OT630KAUC3AZ	1SCA022513R0440	50
180	315	400	560	3	1	2no+1nc	2no+1nc	OT630KBUC3AZ	1SCA022513R0520	48
200	400	500	710	4	2	2no+1nc	2no+1nc	OT800EAUC3AZ	1SCA022827R9950	50
315	560	710	1000	6	3	2no+1nc	2no+1nc	OT1000BAUC3AZ	1SCA022513R0610	73
400	710	900	1200	6	3	2no+1nc	2no+1nc	OT1250EAUC3AZ	1SCA103279R1001	73

Ordering information

Steel sheet enclosed safety switches

OTL16...36A4M
S01345A



Safety switches, 4-pole, IP65, red-yellow handle

The delivery includes a red-yellow handle (I-O/ON-OFF), auxiliary contact 1 no and PE-terminal. Knock-out type cable openings included, cable outlets also for control cable. Compression glands and flanges have to be ordered separately, pages 83 and 85. Grey enclosure, equipped with hinges and lock.

OTL63A4M
S01346A



Cable entries from top and bottom

Max. motor output/ AC-23A				Cable outlets/ side	Auxiliary contacts included	Auxiliary contacts max.	Type	Order number	Weight /unit [kg]
230V [kW]	400V [kW]	500V [kW]	690V [kW]						
Selector handle									
5.5	7.5	7.5	7.5	2xø25.5+ø16.5	1no	2no+2nc	OTL16A4M	1SCA022612R9130	1.8
7.5	15	15	15	2xø32.5+ø16.5	1no	2no+2nc	OTL25A4M	1SCA022612R9210	2.0
11	22	22	15	2xø32.5+ø16.5	1no	2no+2nc	OTL36A4M	1SCA022612R9300	2.0
Pistol handle									
18.5	30	30	30	2xø32.5+ø16.5	1no	2no+2nc	OTL63A4M	1SCA022612R9480	2.5
22	37	37	37	B-flange	1no	2no+2nc	OTL75A4B	1SCA022555R7660	3.4
22	45	45	45	B-flange	1no	2no+2nc	OTL90A4B	1SCA022555R7910	3.4

OTL75...90A4B
S01347A



Cable entries from bottom

Max. motor output/ AC-23A				Cable outlets/ bottom side	Auxiliary contacts included	Auxiliary contacts max.	Type	Order number	Weight /unit [kg]
230V [kW]	400V [kW]	500V [kW]	690V [kW]						
Selector handle									
5,5	7.5	7.5	7.5	B-flange	1no	2no+2nc	OTL16A4B	1SCA022745R7010	1.8
7.5	15	15	15	B-flange	1no	2no+2nc	OTL25A4B	1SCA022745R7190	2.0
11	22	22	15	B-flange	1no	2no+2nc	OTL36A4B	1SCA022745R7270	2.0
18.5	30	30	30	B-flange	1no	1no+1nc	OTL63A4B	1SCA022745R7350	2.1

OTL16...63A4B
S01348A



Ordering information

Steel sheet enclosed safety switches

OT160...800
S01764A



Safety switches with ring-flange cable entries, 4-pole, IP65, red-yellow handle

The delivery includes:

- Red-yellow pistol type handle (I-O / ON - OFF indication), grey enclosure
- Auxiliary contacts are wired to the terminal blocks in sizes 200A...800A
- PE-terminal
- Fixed divided cable entry with ring-flange entries. Entry plate fixing profiles are used also for mounting the safety switch
- Ring-flange covers with knock-out openings, (delivered unfastened), one knock-out opening / ring-flange cover. The number of ring-flange covers and the size of knock-out openings on the table below.

To be ordered separately:

- Ring-flanges; the table below illustrates the number of ring-flange entries / entry plate. Depending on the number of cables, ring-flange covers can be replaced by ring-flanges if required. The ordering information for ring-flanges on page 81...82.

Cable entries from top and bottom

Max. motor output/ AC-23A				Ring- flange entries/ side [pcs]	Ring-flange covers with knock-outs included		Auxiliary contacts included	Auxiliary contacts max.	Type	Ordering number	Weight /unit [kg]
230V [kW]	400V [kW]	500V [kW]	690V [kW]		ø25,5	ø40,5					
Divided cable entry with ring-flange entries on top and bottom											
45	75	75	75	4	3	3	1no+1nc	1no+1nc	OT160ELRR4AZ	1SCA022542R6810	20
55	110	132	160	4	3	3	2no+1nc	2no+1nc	OT200KLRR4AZ	1SCA022542R6990	22
75	132	160	200	4	3	3	2no+1nc	2no+1nc	OT250KLRR4AZ	1SCA022542R7020	22
90	160	200	250	4	3	3	2no+1nc	2no+1nc	OT315KLRR4AZ	1SCA022542R7110	22
110	220	280	355	4	2	3	2no+1nc	2no+1nc	OT400DLRR4AZ	1SCA022542R7290	29
180	315	400	560	4	2	3	2no+1nc	2no+1nc	OT630KLRR4AZ	1SCA022542R7450	33
200	400	500	710	4	2	3	2no+1nc	2no+1nc	OT800ELRR4AZ	1SCA022828R1690	33

Ordering information

Steel sheet enclosed safety switches

OT90...800
S01768A



Safety switches with C-flange cable entries, 4-pole, IP65, red-yellow handle

The delivery includes:

- Red-yellow pistol type handle (I-O / ON - OFF indication), grey enclosure
- Auxiliary contacts are wired to the terminal blocks in sizes 200A...800A
- PE-terminal
- Fixed cable entries with C-flange entries. Entry plate fixing profiles are used also for mounting the safety switch
- Cover flanges, (delivered unfastened), the number of cover flanges on the table below

To be ordered separately:

- C-flanges; the table below illustrates the number of C-flange entries / entry plate. Depending on the number of cables, cover flanges can be replaced by C-flanges if required. Ordering information for C-flanges, see page 83.

Cable entries from top and bottom

Max. motor output/ AC-23A				C-flange entries/ side	Cover flanges included	Auxiliary contacts included	Auxiliary contacts max.	Type	Ordering number	Weight /unit [kg]
230V [kW]	400V [kW]	500V [kW]	690V [kW]	[pcs]	[pcs]					
C-flange entries on top and bottom										
30	45	45	45	1	-	1no+1nc	1no+1nc	OT90ALCC4AZ	1SCA022542R7700	13
37	55	55	55	1	-	1no+1nc	1no+1nc	OT125ELCC4AZ	1SCA022542R7960	13
45	75	75	75	2	2	1no+1nc	1no+1nc	OT160ELCC4AZ	1SCA022542R8000	20
55	110	132	160	2	2	2no+1nc	2no+1nc	OT200KLCC4AZ	1SCA022542R8260	22
75	132	160	200	2	2	2no+1nc	2no+1nc	OT250KLCC4AZ	1SCA022542R8340	22
90	160	200	250	2	2	2no+1nc	2no+1nc	OT315KLCC4AZ	1SCA022542R8690	22
110	220	280	355	2	2	2no+1nc	2no+1nc	OT400DLCC4AZ	1SCA022542R8770	29
180	315	400	560	2	2	2no+1nc	2no+1nc	OT630KLCC4AZ	1SCA022542R8850	33
200	400	500	710	2	2	2no+1nc	2no+1nc	OT800ELCC4AZ	1SCA022828R1510	33

Ordering information

Steel sheet enclosed safety switches

OTL16A6M
S01345A



Safety switches, 6-pole, IP65, red-yellow handle

The delivery includes a red-yellow handle (I-O/ON-OFF), auxiliary contact 1 no and PE-terminal. Knock-out type cable openings included, cable outlets also for control cable. Compression glands and flanges have to be ordered separately, pages 83 and 85. Grey enclosure, equipped with hinges and lock.

OTL25...36A6M
S01346A



OTL75..90A6B
S01347A



OTL16A6B
S01348A



Cable entries from top and bottom

Max. motor output/ AC-23A				Cable outlets/ side	Auxiliary contacts included	Auxiliary contacts max.	Type	Order number	Weight /unit [kg]
230V [kW]	400V [kW]	500V [kW]	690V [kW]						
Selector handle									
5.5	7.5	7.5	7.5	2×25.5+16.5	1no	2no+2nc	OTL16A6M	1SCA022612R9560	1.8
Pistol handle									
7.5	15	15	15	2×32.5+16.5	1no	1no+1nc	OTL25A6M	1SCA022612R9640	2.5
7.5	15	15	15	B-flange	1no	1no+1nc	OTL25A6B	1SCA022745R6890	3.4
11	22	22	15	2×32.5+16.5	1no	1no+1nc	OTL36A6M	1SCA022612R9720	2.5
11	22	22	15	B-flange	1no	1no+1nc	OTL36A6B	1SCA022745R6970	3.4
22	37	37	37	B-flange	1no	1no	OTL75A6B	1SCA022555R7740	3.6
22	37	37	37	-	1no	1no	OTL75A6U	1SCA022696R4830	3.6
22	45	45	45	B-flange	1no	1no	OTL90A6B	1SCA022555R8040	3.6
22	45	45	45	-	1no	1no	OTL90A6U	1SCA022708R3090	3.6

Cable entries from bottom

Max. motor output/ AC-23A				Cable outlets/ bottom side	Auxiliary contacts included	Auxiliary contacts max.	Type	Ordering number	Weight /unit [kg]
230V [kW]	400V [kW]	500V [kW]	690V [kW]						
Selector handle									
5.5	7.5	7.5	7.5	B-flange	1no	2no+2nc	OTL16A6B	1SCA022745R7430	1.8

Ordering information

Steel sheet enclosed safety switches

OT90...1000_RR6AZ
S01764A



Safety switches with ring-flange cable entries, 6-pole, IP65, red-yellow handle

The delivery includes:

- Red-yellow pistol type handle (I-O / ON - OFF indication), grey enclosure
- Auxiliary contacts are wired to the terminal blocks in sizes 200A...800A
- PE-terminal
- Fixed divided cable entry with ring-flange entries. Entry plate fixing profiles are used also for mounting the safety switch
- Ring-flange covers with knock-out openings, (delivered unfastened), one knock-out opening / ring-flange cover. The number of ring-flange covers and the size of knock-out openings on the table below.

To be ordered separately:

- Ring-flanges; the table below illustrates the number of ring-flange entries / entry plate. Depending on the number of cables, ring-flange covers can be replaced by ring-flanges if required. The ordering information for ring-flanges on page 81...82.

OT90...630_UR6AZ
S00870A



Cable entries from top and bottom

Max. motor output/ AC-23A	Ring-flange		Auxiliary contacts included	Auxiliary contacts max.	Type	Order number	Weight /unit [kg]				
	entries/ side	covers with knock-outs included									
230V [kW]	400V [kW]	500V [kW]	690V [kW]	[pcs]							
30	45	45	45	4	2	2	2no+2nc	2no+2nc	OT90ALRR6AZ	1SCA022512R8890	14
37	55	55	55	4	2	2	2no+2nc	2no+2nc	OT125ELRR6AZ	1SCA022512R8970	14
45	75	75	75	4	2	2	2no+2nc	2no+2nc	OT160ELRR6AZ	1SCA022512R9010	29
55	110	132	160	8	6	6	4no+2nc	4no+2nc	OT200KLRR6AZ	1SCA022512R9190	37
75	132	160	200	8	4	4	4no+2nc	4no+2nc	OT250KLRR6AZ	1SCA022512R9270	42
90	160	200	250	8	4	4	4no+2nc	4no+2nc	OT315KLRR6AZ	1SCA022512R9350	42
110	220	280	355	8	4	4	4no+2nc	4no+2nc	OT400DLRR6AZ	1SCA022512R9430	45
180	315	400	560	8	4	4	4no+2nc	4no+2nc	OT630KLRR6AZ	1SCA022512R9510	54
200	400	500	710	8	4	4	4no+2nc	4no+2nc	OT800ELRR6AZ	1SCA022828R2580	54
250	500	600	800	8	2	2	2no+2nc	4no+2nc	OT1000BLRR6AZ	1SCA022338R9010	90

Cable entries from bottom

Divided cable entry with ring-flange entries on bottom, blank entry plate on top

30	45	45	45	4	2	2	2no+2nc	2no+2nc	OT90AAUR6AZ	1SCA022542R1840	22
37	55	55	55	4	2	2	2no+2nc	2no+2nc	OT125EAUR6AZ	1SCA022542R5320	22
45	75	75	75	4	2	2	2no+2nc	2no+2nc	OT160EAUR6AZ	1SCA022542R5410	32
55	110	132	160	8	2	2	4no+2nc	4no+2nc	OT200KAUR6AZ	1SCA022542R5590	39
75	132	160	200	8	2	2	4no+2nc	4no+2nc	OT250KAUR6AZ	1SCA022542R5670	45
90	160	200	250	8	2	-	4no+2nc	4no+2nc	OT315KAUR6AZ	1SCA022542R5750	45
110	220	280	355	8	2	-	4no+2nc	4no+2nc	OT400DAUR6AZ	1SCA022542R5830	48
180	315	400	560	8	2	-	4no+2nc	4no+2nc	OT630KAUR6AZ	1SCA022542R5910	85

Ordering information

Steel sheet enclosed safety switches

OT90...1000_CC6AZ
S01768A



OT90...630_UC6AZ
S00870A



Safety switches with C-flange cable entries, 6-pole, IP65, red-yellow handle

The delivery includes:

- Red-yellow pistol type handle (I-O / ON - OFF indication), grey enclosure
- Auxiliary contacts are wired to the terminal blocks in sizes 200A...800A
- PE-terminal
- Fixed cable entries with C-flange entries. Entry plate fixing profiles are used also for mounting the safety switch
- Cover flanges, (delivered unfastened), the number of cover flanges on the table below

To be ordered separately:

- C-flanges; the table below illustrates the number of C-flange entries / entry plate. Depending on the number of cables, cover flanges can be replaced by C-flanges if required. Ordering information for C-flanges, see page 83.

Cable entries from top and bottom

Max. motor output/ AC-23A				C-flange entries/ side	Cover flanges included	Auxiliary contacts included	Auxiliary contacts max.	Type	Order number	Weight /unit [kg]
230V [kW]	400V [kW]	500V [kW]	690V [kW]							
C-flange entries on top and bottom										
30	45	45	45	2	2	2no+2nc	2no+2nc	OT90ALCC6AZ	1SCA022512R7900	14
37	55	55	55	2	2	2no+2nc	2no+2nc	OT125ELCC6AZ	1SCA022512R8030	14
45	75	75	75	2	2	2no+2nc	2no+2nc	OT160ELCC6AZ	1SCA022512R8110	29
55	110	132	160	4	4	4no+2nc	4no+2nc	OT200KLCC6AZ	1SCA022512R8200	37
75	132	160	200	4	4	4no+2nc	4no+2nc	OT250KLCC6AZ	1SCA022512R8380	42
90	160	200	250	4	4	4no+2nc	4no+2nc	OT315KLCC6AZ	1SCA022512R8460	42
110	220	280	355	4	4	4no+2nc	4no+2nc	OT400DLCC6AZ	1SCA022512R8540	45
180	315	400	560	4	4	4no+2nc	4no+2nc	OT630KLCC6AZ	1SCA022512R8620	54
200	400	500	710	4	4	4no+2nc	4no+2nc	OT800ELCC6AZ	1SCA022828R2400	54
250	500	600	800	6	4	2no+2nc	4no+2nc	OT1000BLCC6AZ	1SCA022512R8710	91

Cable entries from bottom

Max. motor output/ AC-23A				C-flange entries/ bottom	Cover flanges included	Auxiliary contacts included	Auxiliary contacts max.	Type	Order number	Weight /unit [kg]
230V [kW]	400V [kW]	500V [kW]	690V [kW]							
C-flange entries on bottom, blank entry plate on top										
30	45	45	45	2	1	2no+2nc	2no+2nc	OT90AAUC6AZ	1SCA022542R1920	22
37	55	55	55	2	1	2no+2nc	2no+2nc	OT125EAUC6AZ	1SCA022542R6050	22
45	75	75	75	2	1	2no+2nc	2no+2nc	OT160EAUC6AZ	1SCA022542R6130	32
55	110	132	160	4	2	4no+2nc	4no+2nc	OT200KAUC6AZ	1SCA022542R6210	39
75	132	160	200	4	2	4no+2nc	4no+2nc	OT250KAUC6AZ	1SCA022542R6300	45
90	160	200	250	4	1	4no+2nc	4no+2nc	OT315KAUC6AZ	1SCA022542R6480	45
110	220	280	355	4	1	4no+2nc	4no+2nc	OT400DAUC6AZ	1SCA022542R6560	48
180	315	400	560	6	2	4no+2nc	4no+2nc	OT630KAUC6AZ	1SCA022542R6640	85

Ordering information

Steel sheet enclosed safety switches

OT16...90_3A
S01090A



Safety switches, 3 and 6-pole, IP54, red-yellow handle

The delivery includes a red-yellow handle (I-O/ON-OFF), PE-terminal and auxiliary contacts according to the table below. Grey enclosure, screw fixed cover. IP65 types available on request. Knock-out openings included, also for control cable. Compression glands and flanges have to be ordered separately, pages 83 and 85.

OT16ELMM6A
S01090A



3-pole, cable entries from top and bottom

Max. motor output/ AC-23A				Cable outlets/ side	Auxiliary contacts included	Auxiliary contacts max.	Type	Order number	Weight /unit [kg]
230V [kW]	400V [kW]	500V [kW]	690V [kW]						
Selector handle									
5.5	7.5	7.5	7.5	2xø25+ø16	1no	2no+2nc	OT16ELMM3A	1SCA022745R8670	1.6
5.5	7.5	7.5	7.5	2xø25+ø16	-	2no+2nc	OT16ELMM3A1	1SCA022745R8750	1.6
7.5	15	15	15	2xø32+ø16	1no	2no+2nc	OT25ELMM3A	1SCA022745R8830	1.6
11	22	22	15	2xø32+ø16	1no	2no+2nc	OT36ELMM3A	1SCA022745R8910	1.7
18.5	30	30	30	2xø32+ø16	1no	2no+2nc	OT63ELMM3A	1SCA022617R6050	3.7
22	37	37	37	B-flange	1no	2no+2nc	OT75ELBB3A	1SCA022462R0830	4.5
22	45	45	45	B-flange	1no	2no+2nc	OT90ELBB3A	1SCA022462R0910	4.5

OT25...75_6A
S07226



6-pole, cable entries from top and bottom

Max. motor output/ AC-23A				Cable outlets/ side	Auxiliary contacts included	Auxiliary contacts max.	Type	Order number	Weight /unit [kg]
230V [kW]	400V [kW]	500V [kW]	690V [kW]						
Selector handle									
5.5	7.5	7.5	7.5	2xø25+ø16	1no	2no+2nc	OT16ELMM6A	1SCA022745R8410	1.9
Pistol handle									
7.5	15	15	15	2xø32+ø16	1no	2no+2nc	OT25ELMM6A	1SCA022745R8590	1.9
11	22	22	15	2xø32+ø16	1no	2no+2nc	OT36ELMM6A	1SCA022745R9130	4.0
22	37	37	37	B-flange	1no	2no+2nc	OT75ELBB6A	1SCA022462R1300	4.0

Ordering information

Steel sheet enclosed safety switches

OT90...1000_AA3A
S07205



Safety switches, 3-pole, IP54, red-yellow handle

The delivery includes a red-yellow handle (I-O/ON-OFF), PE-terminal and auxiliary contacts according to the table below. Grey enclosure. IP65 types available on request.

Cable entries from top and bottom, open top and bottom

Max. motor output/ AC-23A				Size of suitable cable entry W x D	Auxiliary contacts included	Auxiliary contacts max.	Type	Order number	Weight /unit [kg]
230V [kW]	400V [kW]	500V [kW]	690V [kW]	[mm]					

Pistol handle

Cable entries and flanges have to be ordered separately, see "Accessories", page 81...83. Entry plate fixing profiles are also used for mounting the safety switches.

30	45	45	45	250 x 180	1no+1nc	1no+1nc	OT90ALAA3A	1SCA022297R9290	9.8
37	55	55	55	250 x 180	1no+1nc	1no+1nc	OT125ELAA3A	1SCA022297R9450	9.8
45	75	75	75	400 x 230	1no+1nc	1no+1nc	OT160ELAA3A	1SCA022280R3250	15
55	110	132	160	400 x 230	2no+1nc	2no+1nc	OT200KLA3A	1SCA022280R3840	17
75	132	160	200	400 x 230	2no+1nc	2no+1nc	OT250KLA3A	1SCA022280R4490	17
90	160	200	250	400 x 230	2no+1nc	2no+1nc	OT315KLA3A	1SCA022280R5030	17
110	220	280	355	400 x 230	2no+1nc	2no+1nc	OT400DLAA3A	1SCA022280R5620	23
180	315	400	560	400 x 230	2no+1nc	2no+1nc	OT630KLA3A	1SCA022280R0150	27
200	400	500	710	400 x 230	2no+1nc	2no+1nc	OT800ELAA3A	1SCA022828R0880	27
315	560	710	1000	800 x 330	2no+1nc	2no+1nc	OT1000BLAA3A	1SCA022297R9610	56

OT36...1000_UA3A
S07206



Cable entries from bottom, open bottom

Max. motor output/ AC-23A				Size of suitable cable entry W x D	Auxiliary contacts included	Auxiliary contacts max.	Type	Order number	Weight /unit [kg]
230V [kW]	400V [kW]	500V [kW]	690V [kW]	[mm]					

Pistol handle

Blank entry plate on top. Cable entry and flanges have to be ordered separately for bottom, see "Accessories", page 81...83. Entry plate fixing profiles are also used for mounting the safety switches.

11	22	22	15	250 x 180	1no	2no+2nc	OT36EAUA3A	1SCA022544R0800	9.8
22	37	37	37	250 x 180	1no	2no+2nc	OT75EAUA3A	1SCA022544R0980	10
30	45	45	45	400 x 230	1no+1nc	1no+1nc	OT90AAUA3A	1SCA022297R9880	10
37	55	55	55	400 x 230	1no+1nc	1no+1nc	OT125EAUA3A	1SCA022298R0030	10
45	75	75	75	400 x 230	1no+1nc	1no+1nc	OT160EAUA3A	1SCA022298R0200	19
55	110	132	160	400 x 230	2no+1nc	2no+1nc	OT200KAUA3A	1SCA022298R0460	21
75	132	160	200	400 x 230	2no+1nc	2no+1nc	OT250KAUA3A	1SCA022298R0620	25
90	160	200	250	400 x 230	2no+1nc	2no+1nc	OT315KAUA3A	1SCA022298R0890	25
110	220	280	355	400 x 230	2no+1nc	2no+1nc	OT400DAUA3A	1SCA022297R4900	28
180	315	400	560	800 x 230	2no+1nc	2no+1nc	OT630KAUA3A	1SCA022297R5110	46
180	315	400	560	400 x 330	2no+1nc	2no+1nc	OT630KBUA3A	1SCA022544R0710	46
200	400	500	710	800 x 230	2no+1nc	2no+1nc	OT800EAUA3A	1SCA022827R9870	46
315	560	710	1000	800 x 330	2no+1nc	2no+1nc	OT1000BAUA3A	1SCA022297R5380	68

Ordering information

Steel sheet enclosed safety switches

OT90...1000_AA6A
S07205



Safety switches, 6-pole, IP54, red-yellow handle

The delivery includes a red-yellow handle (I-O/ON-OFF), PE-terminal and auxiliary contacts according to the table below. Grey enclosure. IP65 types available on request.

Cable entries from top and bottom, open top and bottom

Max. motor output/ AC-23A				Size of suitable cable entry W x D		Auxiliary contacts included	Auxiliary contacts max.	Type	Order number	Weight /unit [kg]
230V [kW]	400V [kW]	500V [kW]	690V [kW]	[mm]						

Pistol handle

Cable entries and flanges have to be ordered separately, see "Accessories", page 81...83. Entry plate fixing profiles are also used for mounting the safety switches.

30	45	45	45	400 x 230	2no+2nc	2no+2nc	OT90ALAA6A	1SCA022297R7910	10
37	55	55	55	400 x 230	2no+2nc	2no+2nc	OT125ELAA6A	1SCA022297R8130	10
45	75	75	75	400 x 230	2no+2nc	2no+2nc	OT160ELAA6A	1SCA022297R8300	25
55	110	132	160	800 x 230	4no+2nc	4no+2nc	OT200KLA6A	1SCA022297R8560	29
75	132	160	200	800 x 230	4no+2nc	4no+2nc	OT250KLA6A	1SCA022297R8720	34
90	160	200	250	800 x 230	4no+2nc	4no+2nc	OT315KLA6A	1SCA022297R8990	34
110	220	280	355	800 x 230	4no+2nc	4no+2nc	OT400DLA6A	1SCA022297R9110	37
180	315	400	560	800 x 230	4no+2nc	4no+2nc	OT630KLA6A	1SCA022297R9370	46
200	400	500	710	800 x 230	4no+2nc	4no+2nc	OT800ELA6A	1SCA022828R2310	46
250	500	600	800	800 x 330	2no+2nc	4no+2nc	OT1000BLA6A	1SCA022297R9530	81

Cable entries from bottom, open bottom

Max. motor output/ AC-23A				Size of suitable cable entry W x D		Auxiliary contacts included	Auxiliary contacts max.	Type	Order number	Weight /unit [kg]
230V [kW]	400V [kW]	500V [kW]	690V [kW]	[mm]						

Pistol handle

Blank entry plate on top. Cable entry and flanges have to be ordered separately for bottom, see "Accessories", page 81...83. Entry plate fixing profiles are also used for mounting the safety switches.

30	45	45	45	400 x 230	2no+2nc	2no+2nc	OT90AAUA6A	1SCA022500R3410	20
37	55	55	55	400 x 230	2no+2nc	2no+2nc	OT125EAUA6A	1SCA022500R4140	20
45	75	75	75	400 x 230	2no+2nc	2no+2nc	OT160EAUA6A	1SCA022500R3500	30
55	110	132	160	800 x 230	4no+2nc	4no+2nc	OT200KAUA6A	1SCA022500R3680	35
75	132	160	200	800 x 230	4no+2nc	4no+2nc	OT250KAUA6A	1SCA022500R3760	41
90	160	200	250	800 x 230	4no+2nc	4no+2nc	OT315KAUA6A	1SCA022500R3840	41
110	220	280	355	800 x 230	4no+2nc	4no+2nc	OT400DAUA6A	1SCA022500R3920	44
180	315	400	560	1000 x 330	4no+2nc	4no+2nc	OT630KAUA6A	1SCA022500R4060	80

OT90...630_UA6A
S07206



Ordering information

Stainless steel sheet enclosed safety switches

OTR16...36T3M
S07207



Safety switches, 3-pole, IP65, black handle

The delivery includes a black handle (I-O/ON-OFF), auxiliary contact 1 no and PE-terminal. Knock-out type cable openings included, cable outlets also for control cable. Compression glands and flanges have to be ordered separately, pages 83 and 85. Equipped with hinges and lock.

OTR63T3M
S07208



Cable entries from top and bottom

Max. motor output/ AC-23A				Cable outlets/ side	Auxiliary contacts included	Auxiliary contacts max.	Type	Order number	Weight /unit [kg]
230V [kW]	400V [kW]	500V [kW]	690V [kW]						
Selector handle									
5.5	7.5	7.5	7.5	2xø25.5+ø16.5	1no	2no+2nc	OTR16T3M	1SCA022613R2780	1.7
7.5	15	15	15	2xø32.5+ø16.5	1no	2no+2nc	OTR25T3M	1SCA022613R3910	1.9
11	22	22	15	2xø32.5+ø16.5	1no	2no+2nc	OTR36T3M	1SCA022613R4050	1.9
Pistol handle									
18.5	30	30	30	2xø32.5+ø16.5	1no	2no+2nc	OTR63T3M	1SCA022613R4130	2.4
22	37	37	37	B-flange	1no	2no+2nc	OTR75T3B	1SCA022567R1280	3.3
22	45	45	45	B-flange	1no	2no+2nc	OTR90T3B	1SCA022567R1440	3.3

OTR75...90T3B
S07209



Cable entries from bottom

Max. motor output/ AC-23A				Cable outlets/ bottom side	Auxiliary contacts included	Auxiliary contacts max.	Type	Order number	Weight /unit [kg]
230V [kW]	400V [kW]	500V [kW]	690V [kW]						
Selector handle									
5.5	7.5	7.5	7.5	B-flange	1no	2no+2nc	OTR16T3B	1SCA022572R0160	1.7
7.5	15	15	15	B-flange	1no	2no+2nc	OTR25T3B	1SCA022572R0240	1.9
11	22	22	15	B-flange	1no	2no+2nc	OTR36T3B	1SCA022572R0320	1.9
18.5	30	30	30	B-flange	1no	2no+2nc	OTR63T3B	1SCA022572R0410	2.0

OT16...63T3B
S07210



Ordering information

Stainless steel sheet enclosed safety switches

OTR16...36T4M
S07207



Safety switches, 4-pole, IP65, black handle

The delivery includes a black handle (I-O/ON-OFF), auxiliary contact 1 no and PE-terminal. Knock-out type cable openings included, cable outlets also for control cable. Compression glands and flanges have to be ordered separately, pages 83 and 85. Equipped with hinges and lock.

OTR63T4M
S07208



Cable entries from top and bottom

Max. motor output/ AC-23A				Cable outlets/ side	Auxiliary contacts included	Auxiliary contacts max.	Type	Order number	Weight /unit [kg]
230V [kW]	400V [kW]	500V [kW]	690V [kW]						
Selector handle									
5.5	7.5	7.5	7.5	2xø25.5+ø16.5	1no	2no+2nc	OTR16T4M	1SCA022613R4210	1.8
7.5	15	15	15	2xø32.5+ø16.5	1no	2no+2nc	OTR25T4M	1SCA022613R4300	2.0
11	22	22	15	2xø32.5+ø16.5	1no	2no+2nc	OTR36T4M	1SCA022613R4480	2.0
Pistol handle									
18.5	30	30	30	2xø32.5+ø16.5	1no	2no+2nc	OTR63T4M	1SCA022613R4560	2.5
22	37	37	37	B-flange	1no	2no+2nc	OTR75T4B	1SCA022567R1360	3.4
22	45	45	45	B-flange	1no	2no+2nc	OTR90T4B	1SCA022567R1520	3.4

OTR75...90T4B
S07209



Cable entries from bottom

Max. motor output/ AC-23A				Cable outlets/ bottom side	Auxiliary contacts included	Auxiliary contacts max.	Type	Order number	Weight /unit [kg]
230V [kW]	400V [kW]	500V [kW]	690V [kW]						
Selector handle									
5.5	7.5	7.5	7.5	B-flange	1no	2no+2nc	OTR16T4B	1SCA022580R5740	1.8
7.5	15	15	15	B-flange	1no	2no+2nc	OTR25T4B	1SCA022580R5910	2.0
11	22	22	15	B-flange	1no	2no+2nc	OTR36T4B	1SCA022580R6040	2.0
18.5	30	30	30	B-flange	1no	1no+1nc	OTR63T4B	1SCA022580R6120	2.1

OT16...63T4B
S07210



Ordering information

Stainless steel sheet enclosed safety switches

OTR16T6M
S07207



OTR25...36T6M
S07208



OTR25...90T6B
S07209



OTR16T6B
S07210



Safety switches, 6-pole, IP65, black handle

The delivery includes a black handle (I-O/ON-OFF), auxiliary contact 1 no and PE-terminal. Knock-out type cable openings included, cable outlets also for control cable. Compression glands and flanges have to be ordered separately, pages 83 and 85. Equipped with hinges and lock.

Cable entries from top and bottom

Max. motor output/ AC-23A				Cable outlets/ side	Auxiliary contacts included	Auxiliary contacts max.	Type	Order number	Weight /unit [kg]
230V [kW]	400V [kW]	500V [kW]	690V [kW]						
Selector handle									
5,5	7,5	7,5	7,5	2xø25.5+ø16.5	1no	2no+2nc	OTR16T6M	1SCA022613R464	1.8
Pistol handle									
7,5	15	15	15	2xø32.5+ø16.5	1no	1no+1nc	OTR25T6M	1SCA022613R4720	2.5
7,5	15	15	15	B-flange	1no	1no+1nc	OTR25T6B	1SCA022580R8250	3.4
11	22	22	15	2xø32.5+ø16.5	1no	1no+1nc	OTR36T6M	1SCA022613R4810	2.5
11	22	22	15	B-flange	1no	1no+1nc	OTR36T6B	1SCA022580R8330	3.4
22	37	37	37	B-flange	1no	1no	OTR75T6B	1SCA022580R9060	3.6
22	45	45	45	B-flange	1no	1no	OTR90T6B	1SCA022580R9140	3.6

Cable entries from bottom

Max. motor output/ AC-23A				Cable outlets/ bottom side	Auxiliary contacts included	Auxiliary contacts max.	Type	Order number	Weight /unit [kg]
230V [kW]	400V [kW]	500V [kW]	690V [kW]						
Selector handle									
5,5	7,5	7,5	7,5	B-flange	1no	2no+2nc	OTR16T6B	1SCA022580R5820	1.8

Ordering information

Stainless steel sheet enclosed safety switches

OTR16...36A3M
S07211



Safety switches, 3-pole, IP65, red-yellow handle

The delivery includes a red-yellow handle (I-O/ON-OFF), auxiliary contact 1 no and PE-terminal. Knock-out type cable openings included, cable outlets also for control cable. Compression glands and flanges have to be ordered separately, pages 83 and 85. Equipped with hinges and lock.

OTR63A3M
S07212



Cable entries from top and bottom

Max. motor output/ AC-23A				Cable outlets/ side	Auxiliary contacts included	Auxiliary contacts max.	Type	Order number	Weight /unit [kg]
230V [kW]	400V [kW]	500V [kW]	690V [kW]						
Selector handle									
5.5	7.5	7.5	7.5	2xø25.5+ø16.5	1no	2no+2nc	OTR16A3M	1SCA022613R2860	1.7
7.5	15	15	15	2xø32.5+ø16.5	1no	2no+2nc	OTR25A3M	1SCA022613R2940	1.9
11	22	22	15	2xø32.5+ø16.5	1no	2no+2nc	OTR36A3M	1SCA022613R3080	1.9
Pistol handle									
18.5	30	30	30	2xø32.5+ø16.5	1no	2no+2nc	OTR63A3M	1SCA022613R3160	2.4
22	37	37	37	B-flange	1no	2no+2nc	OTR75A3B	1SCA022567R8960	3.3
22	45	45	45	B-flange	1no	2no+2nc	OTR90A3B	1SCA022567R9180	3.3

OTR75...90A3B
S07213



Cable entries from bottom

Max. motor output/ AC-23A				Cable outlets/ bottom side	Auxiliary contacts included	Auxiliary contacts max.	Type	Order number	Weight /unit [kg]
230V [kW]	400V [kW]	500V [kW]	690V [kW]						
Selector handle									
5.5	7.5	7.5	7.5	B-flange	1no	2no+2nc	OTR16A3B	1SCA022575R7410	1.7
7.5	15	15	15	B-flange	1no	2no+2nc	OTR25A3B	1SCA022575R7590	1.9
11	22	22	15	B-flange	1no	2no+2nc	OTR36A3B	1SCA022575R7670	1.9
18.5	30	30	30	B-flange	1no	2no+2nc	OTR63A3B	1SCA022575R7750	2.0

OTR16...63A3B
S07214



Ordering information

Stainless steel sheet enclosed safety switches

OTR16...36A4M
S07211



OTR63A4M
S07212



OTR75...90A4B
S07213



OTR16...63A4B
S07214



Safety switches, 4-pole, IP65, red-yellow handle

The delivery includes a red-yellow handle (I-O/ON-OFF), auxiliary contact 1 no and PE-terminal. Knock-out type cable openings included, cable outlets also for control cable. Compression glands and flanges have to be ordered separately, pages 83 and 85. Equipped with hinges and lock.

Cable entries from top and bottom

Max. motor output/ AC-23A				Cable outlets/ side	Auxiliary contacts included	Auxiliary contacts max.	Type	Order number	Weight /unit [kg]
230V [kW]	400V [kW]	500V [kW]	690V [kW]						
Selector handle									
5.5	7.5	7.5	7.5	2xø25.5+ø16.5	1no	2no+2nc	OTR16A4M	1SCA022613R3240	1.8
7.5	15	15	15	2xø32.5+ø16.5	1no	2no+2nc	OTR25A4M	1SCA022613R3320	2.0
11	22	22	15	2xø32.5+ø16.5	1no	2no+2nc	OTR36A4M	1SCA022613R3410	2.0
Pistol handle									
18.5	30	30	30	2xø32.5+ø16.5	1no	2no+2nc	OTR63A4M	1SCA022613R3590	2.5
22	37	37	37	B-flange	1no	2no+2nc	OTR75A4B	1SCA022567R9000	3.4
22	45	45	45	B-flange	1no	2no+2nc	OTR90A4B	1SCA022567R9260	3.4

Cable entries from bottom

Max. motor output/ AC-23A				Cable outlets/ bottom side	Auxiliary contacts included	Auxiliary contacts max.	Type	Order number	Weight /unit [kg]
230V [kW]	400V [kW]	500V [kW]	690V [kW]						
Selector handle									
5.5	7.5	7.5	7.5	B-flange	1no	2no+2nc	OTR16A4B	1SCA022745R7780	1.8
7.5	15	15	15	B-flange	1no	2no+2nc	OTR25A4B	1SCA022745R7860	2.0
11	22	22	15	B-flange	1no	2no+2nc	OTR36A4B	1SCA022745R7940	2.0
18.5	30	30	30	B-flange	1no	1no+1nc	OTR63A4B	1SCA022745R8080	2.1

Ordering information

Stainless steel sheet enclosed safety switches

OTR16A6M
S07211



Safety switches, 6-pole, IP65, red-yellow handle

The delivery includes a red-yellow handle (I-O/ON-OFF), auxiliary contact 1 no and PE-terminal. Knock-out type cable openings included, cable outlets also for control cable. Compression glands and flanges have to be ordered separately, pages 83 and 85. Equipped with hinges and lock.

OTR25...36A6M
S07212



Cable entries from top and bottom

Max. motor output/ AC-23A				Cable outlets/ side	Auxiliary contacts included	Auxiliary contacts max.	Type	Order number	Weight /unit [kg]
230V [kW]	400V [kW]	500V [kW]	690V [kW]						
Selector handle									
5.5	7.5	7.5	7.5	2xø25.5+ø16.5	1no	2no+2nc	OTR16A6M	1SCA022613R3670	1.8
Pistol handle									
7.5	15	15	15	2xø32.5+ø16.5	1no	1no+1nc	OTR25A6M	1SCA022613R3750	2.5
7.5	15	15	15	B-flange	1no	1no+1nc	OTR25A6B	1SCA022745R7510	3.4
11	22	22	15	2xø32.5+ø16.5	1no	1no+1nc	OTR36A6M	1SCA022613R3830	2.5
11	22	22	15	B-flange	1no	1no+1nc	OTR36A6B	1SCA022745R7600	3.4
22	37	37	37	B-flange	1no	1no	OTR75A6B	1SCA022596R7210	3.6
22	45	45	45	B-flange	1no	1no	OTR90A6B	1SCA022596R7300	3.6

OTR25...90A6B
S07213



Cable entries from bottom

Max. motor output/ AC-23A				Cable outlets/ bottom side	Auxiliary contacts included	Auxiliary contacts max.	Type	Order number	Weight /unit [kg]
230V [kW]	400V [kW]	500V [kW]	690V [kW]						
Selector handle									
5.5	7.5	7.5	7.5	B-flange	1no	2no+2nc	OTR16A6B	1SCA022745R8160	1.8

OTR16A6B
S07214



Ordering information

Stainless steel sheet (acid proof)

enclosed safety switches

OT160EV...800_RR3TZ
S07196



OT1000...1250_RR3TZ
S07198



OT160EV...400_UR3TZ
S07197



OT630...1250_UR3TZ
S07199



Safety switches, 3-pole, IP65, stainless steel handle

The delivery includes a stainless steel handle (I-O/ON-OFF), auxiliary contacts according to the table below and PE-terminal. Knock-out type cable entry for control cable (25 mm) and open type cable entries for maincables. Cable flanges and flange covers to be ordered separately. More information on accessories page 84. Equipped with hinges and lock.

Cable entries from top and bottom

Max. motor output/				Flange openings/ side	Auxiliary contacts included	Auxiliary contacts max.	Type	Order number	Weight /unit [kg]
AC-23A 230V [kW]	400V [kW]	500V [kW]	690V [kW]						
Pistol handle									
45	75	75	75	4x	2no+1nc	2no+1nc	OT160EVRRR3TZ	1SCA125630R1001	25
55	110	132	160	4x	2no+1nc	2no+1nc	OT200ERRR3TZ	1SCA101252R1001	25
75	132	160	200	4x	2no+1nc	2no+1nc	OT250ERRR3TZ	1SCA102364R1001	25
90	160	200	250	4x	2no+1nc	2no+1nc	OT315ERRR3TZ	1SCA102332R1001	25
110	220	280	355	4x	2no+1nc	2no+1nc	OT400ERRR3TZ	1SCA102318R1001	32
180	315	400	560	4x	2no+1nc	2no+1nc	OT630ERRR3TZ	1SCA102321R1001	36
200	400	500	710	4x	2no+1nc	2no+1nc	OT800ERRR3TZ	1SCA102333R1001	36
315	560	710	1000	8x	2no+1nc	2no+1nc	OT1000ERRR3TZ	1SCA103329R1001	70
400	710	900	1200	8x	2no+1nc	2no+1nc	OT1250ERRR3TZ	1SCA103351R1001	70

Cable entries from bottom

Max. motor output/				Flange openings/ bottom side	Auxiliary contacts included	Auxiliary contacts max.	Type	Order number	Weight /unit [kg]
AC-23A 230V [kW]	400V [kW]	500V [kW]	690V [kW]						
Pistol handle									
Flange covers mounted on top									
45	75	75	75	4x	2no+1nc	2no+1nc	OT160EVSUR3TZ	1SCA125726R1001	28
55	110	132	160	4x	2no+1nc	2no+1nc	OT200ESUR3TZ	1SCA102325R1001	28
75	132	160	200	4x	2no+1nc	2no+1nc	OT250ESUR3TZ	1SCA102320R1001	33
90	160	200	250	4x	2no+1nc	2no+1nc	OT315ESUR3TZ	1SCA102317R1001	34
110	220	280	355	4x	2no+1nc	2no+1nc	OT400ESUR3TZ	1SCA102323R1001	34
180	315	400	560	8x	2no+1nc	2no+1nc	OT630ESUR3TZ	1SCA102336R1001	56
200	400	500	710	8x	2no+1nc	2no+1nc	OT800ESUR3TZ	1SCA102324R1001	56
315	560	710	1000	8x	2no+1nc	2no+1nc	OT1000ESUR3TZ	1SCA104434R1001	78
400	710	900	1200	8x	2no+1nc	2no+1nc	OT1250ESUR3TZ	1SCA104440R1001	78

Ordering information

Stainless steel sheet (acid proof) enclosed safety switches

OT160EV...800_RR6TZ
S07198



OT160EV...630_UR6TZ
S07199



Safety switches, 6-pole, IP65, stainless steel handle

The delivery includes a stainless steel handle (I-O/ON-OFF), auxiliary contacts according to the table below and PE-terminal. Knock-out type cable entry for control cable (25 mm) and open type cable entries for main cables. Cable flanges and flange covers to be ordered separately. More information on accessories page 84. Equipped with hinges and lock.

Cable entries from top and bottom

Max. motor output/ AC-23A				Flange openings/ side	Auxiliary contacts included	Auxiliary contacts max.	Type	Order number	Weight /unit [kg]
230V [kW]	400V [kW]	500V [kW]	690V [kW]						
Pistol handle									
45	75	75	75	8x	4no+2nc	4no+2nc	OT160EVRRR6TZ	1SCA125725R1001	41
55	110	132	160	8x	4no+2nc	4no+2nc	OT200ERRR6TZ	1SCA102316R1001	41
75	132	160	200	8x	4no+2nc	4no+2nc	OT250ERRR6TZ	1SCA102365R1001	46
90	160	200	250	8x	4no+2nc	4no+2nc	OT315ERRR6TZ	1SCA102327R1001	46
110	220	280	355	8x	4no+2nc	4no+2nc	OT400ERRR6TZ	1SCA102329R1001	50
180	315	400	560	8x	4no+2nc	4no+2nc	OT630ERRR6TZ	1SCA102326R1001	59
200	400	500	710	8x	4no+2nc	4no+2nc	OT800ERRR6TZ	1SCA102334R1001	59

Cable entries from bottom

Max. motor output/ AC-23A				Flange openings/ bottom side	Auxiliary contacts included	Auxiliary contacts max.	Type	Order number	Weight /unit [kg]
230V [kW]	400V [kW]	500V [kW]	690V [kW]						
Pistol handle									
Flange covers mounted on top									
45	75	75	75	8x	4no+2nc	4no+2nc	OT160EVSUR6TZ	1SCA125650R1001	43
55	110	132	160	8x	4no+2nc	4no+2nc	OT200ESUR6TZ	1SCA102319R1001	43
75	132	160	200	8x	4no+2nc	4no+2nc	OT250ESUR6TZ	1SCA102370R1001	51
90	160	200	250	8x	4no+2nc	4no+2nc	OT315ESUR6TZ	1SCA102330R1001	51
110	220	280	355	8x	4no+2nc	4no+2nc	OT400ESUR6TZ	1SCA102335R1001	54
180	315	400	560	8x	4no+2nc	4no+2nc	OT630ESUR6TZ	1SCA102322R1001	90

Ordering information

Aluminum enclosed safety switches

LBAS316 TPN, LBAS416 TPSN
2CMC342002F0008



Side operated safety switches, 3 and 4-pole, IP65

3-pole, cable entries from top and bottom

The delivery includes: enclosure in aluminum and handle in dark grey plastic, neutral and PE terminal, 1 NO auxiliary contact, cable entries with metric threaded holes with membrane glands/sealing plugs IP54 (see table page 11). For IP65 protection compression glands must be used. The switch-disconnector is lockable.

LBAS325 TPN, LBAS425 TPSN
2CMC342002F0010



Rated operational current / power				Cable entries	Enclosure size [mm]			Type	Order number	Weight /unit [kg]
AC-23A	500V	690V	690V		W	H	D			
[A]	[A]	[kW]		Up/Down						
Dark grey side-operated handle, dark grey cover										
16	10	7,5		2xM25/2xM25	111	130	60	LBAS316 TPN	2CMA142430R1000	0.57
25	16	11		2xM32/2xM32+1xM16	138	168	68	LBAS325 TPN	2CMA142432R1000	0.80

4-pole, cable entries from top and bottom

The delivery includes: enclosure in aluminum and handle in dark grey plastic, switched neutral and PE terminal, 1 NO auxiliary contact, cable entries with metric threaded holes with membrane glands/sealing plugs IP54 (see table page 11). For IP65 protection compression glands must be used. The switch-disconnector is lockable.

Rated operational current / power				Cable entries	Enclosure size [mm]			Type	Order number	Weight /unit [kg]
AC-23A	500V	690V	690V		W	H	D			
[A]	[A]	[kW]		Up/Down						
Dark grey side-operated handle, dark grey cover										
16	10	7,5		2xM25/2xM25	111	130	60	LBAS416 TPSN	2CMA142431R1000	0.57
25	16	11		2xM32/2xM32+1xM16	138	168	68	LBAS425 TPSN	2CMA142433R1000	0.81

Ordering information

Aluminum enclosed safety switches

LBAS_TPN
2CMC341011F0075



Safety switches, 3, 4 and 6-pole, IP65, black handle

3-pole, cable entries from top and bottom

The delivery includes: enclosure in aluminum and handle in black plastic, neutral and PE terminal, 1 NO auxiliary contact, cable entries with metric threaded holes with membrane glands/sealing plugs IP54 (see table page 11). For IP65 protection compression glands must be used. The switch-disconnector is lockable.

Rated operational current / power			Cable entries	Enclosure size [mm]			Type	Order number	Weight /unit [kg]	
AC-23A	500V	690V		W	H	D				
	[A]	[A]	[kW]	Up/Down						
Selector handle, dark grey cover										
45	20	22	2xM40/2xM40+1xM16		160	230	145	LBAS345 TPN	2CMA142627R1000	1.75
58	20	37	2xM40/2xM40+1xM16		160	230	145	LBAS375 TPN	2CMA142628R1000	1.75
70	50	45	2xM40/2xM40+1xM16		160	230	145	LBAS390 TPN	2CMA142629R1000	1.75

4-pole, cable entries from top and bottom

The delivery includes: enclosure in aluminum and handle in black plastic, switched neutral and PE terminal, 1 NO auxiliary contact, cable entries with metric threaded holes with membrane glands/sealing plugs IP54 (see table page 11). For IP65 protection compression glands must be used. The switch-disconnector is lockable.

Rated operational current / power			Cable entries	Enclosure size [mm]			Type	Order number	Weight /unit [kg]	
AC-23A	500V	690V		W	H	D				
	[A]	[A]	[kW]	Up/Down						
Selector handle, dark grey cover										
58	20	37	2xM40/2xM40+1xM16		160	230	145	LBAS475 TPN	2CMA142631R1000	1.75
70	50	45	2xM40/2xM40+1xM16		160	230	145	LBAS490 TPN	2CMA142632R1000	1.75

6-pole, cable entries from top and bottom

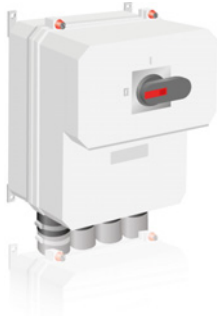
The delivery includes: enclosure in aluminum and handle in black plastic, neutral and PE terminal, 1 NO auxiliary contact, cable entries with metric threaded holes with membrane glands/sealing plugs IP54 (see table page 11). For IP65 protection compression glands must be used. The switch-disconnector is lockable.

Rated operational current / power			Cable entries	Enclosure size [mm]			Type	Order number	Weight /unit [kg]	
AC-23A	500V	690V		W	H	D				
	[A]	[A]	[kW]	Up/Down						
Selector handle, dark grey cover										
58	20	37	2xM40/2xM40+1xM16		160	230	145	LBAS675 TPN	2CMA142633R1000	1.75

Ordering information

Aluminum enclosed safety switches

LBAS_
2CMC341011F0023



Safety switches, 3-pole, IP65, black handle

Cable entries from bottom

The delivery includes: enclosure in white aluminum and handle in black plastic, PE terminal, 1 NO auxiliary contact, cable tightening/glands.

Rated operational current / power			Cable entries Down	Enclosure size [mm]			Type	Order number	Weight /unit [kg]
AC-23A 500V [A]	690V [A]	[kW]		W	H	D			
Pistol handle, white cover									
125	90	70	2xØ 18-48	400	405	234	LBAS125/S	2CMA144495R1000	9.70
125	90	70	2xØ 18-48	400	405	234	LBAS125/SK ¹⁾	2CMA144496R1000	10.40
160	125	80	2xØ 18-48	400	405	234	LBAS160/S	2CMA144498R1000	9.70
160	125	80	2xØ 18-48	400	405	234	LBAS160/SK ¹⁾	2CMA144499R1000	10.40
250	250	250	4xØ 30-68	465	555	235	LBAS200/S ³⁾	2CMA144500R1000	23.00
315	315	315	4xØ 30-68	465	555	235	LBAS250/S ³⁾	2CMA144503R1000	23.00
500	500	350	4xØ 30-68	565	655	235	LBAS400/S ³⁾	2CMA144505R1000	26.00
630	580	350	4xØ 30-68	565	655	235	LBAS630/S ³⁾	2CMA144506R1000	27.00

¹⁾ Screw terminals for cable lugs max 95 mm²

²⁾ Screw terminals for cable lugs max 2//240 mm²

³⁾ Screw terminals for cable lugs max 2//300 mm²

Ordering information

Plastic enclosed EMC safety switches

OTE16...36T_
S00764A



OTE75T_, OTE90T_
S00692A



EMC safety switches, 3-pole, IP65, black handle

The delivery includes a black selector type handle (I-O/ON-OFF), auxiliary contacts according to the table below, and PE-terminal. Grey enclosure.

Cable entries from top and bottom

Max. motor output/ AC-23A				Cable outlets/ side	Auxiliary contacts included	Auxiliary contacts max.	Type	Order number	Weight /unit [kg]
230V [kW]	400V [kW]	500V [kW]	690V [kW]						

The handles are padlockable with three padlocks in O-position

Threaded knock-out openings, compression glands have to be ordered separately, page 85. Standard compression glands may be used (no EMC).

5.5	7.5	7.5	7.5	2xM25+M16	1no	2no+2nc	OTE16T3M	1SCA022613R2190	0.5
7.5	15	15	15	2xM32+M16	1no	2no+2nc	OTE25T3M	1SCA022613R2270	0.9
11	22	22	15	2xM32+M16	1no	2no+2nc	OTE36T3M	1SCA022613R2350	0.9
22	37	37	37	2xM50+M16	1no	2no+2nc	OTE75T3M	1SCA022812R4160	3.6
22	38	45	45	2xM50+M16	1no	2no+2nc	OTE90T3M	1SCA022812R4240	3.6

Knock-out flanges, flanges have to be ordered separately, page 84. Standard flanges may be used (no EMC).

22	37	37	37	I-flange	1no	2no+2nc	OTE75T3B	1SCA022438R3790	3.6
22	45	45	45	I-flange	1no	2no+2nc	OTE90T3B	1SCA022438R3870	3.6

The handles are padlockable with three padlocks in O- and I-position

Threaded knock-out openings, compression glands have to be ordered separately, page 85. Standard compression glands may be used (no EMC).

5.5	7.5	7.5	7.5	2xM25+M16	1no	2no+2nc	OTE16TL3M	1SCA022613R9870	0.5
7.5	15	15	15	2xM32+M16	1no	2no+2nc	OTE25TL3M	1SCA022614R0290	0.9
11	22	22	15	2xM32+M16	1no	2no+2nc	OTE36TL3M	1SCA022614R0610	0.9
22	37	37	37	2xM50+M16	1no	2no+2nc	OTE75TL3M	1SCA022812R4320	3.6
22	45	45	45	2xM50+M16	1no	2no+2nc	OTE90TL3M	1SCA022812R4410	3.6

Knock-out flanges, flanges have to be ordered separately, page 84. Standard flanges may be used (no EMC).

22	37	37	37	I-flange	1no	2no+2nc	OTE75TL3B	1SCA022469R0610	3.6
22	45	45	45	I-flange	1no	2no+2nc	OTE90TL3B	1SCA022469R0700	3.6

With disturbance protected safety switches the cables have to be shielded.

Ordering information

Plastic enclosed EMC safety switches

OTE16...36T4_
S00764A



OTE75T4_, OTE90T4_
S00692A



OTE16T6_
S00764A



OTE25...90T6_
S02084



EMC safety switches, 4 and 6-pole, IP65, black handle

The delivery includes a black handle (I-O/ON-OFF), auxiliary contacts according to the table below, and N- and PE-terminals. Grey enclosure.

4-pole, cable entries from top and bottom, selector handle

Max. motor output/				Cable outlets/ side	Auxiliary contacts included	Auxiliary contacts max.	Type	Order number	Weight /unit [kg]
AC-23A	230V [kW]	400V [kW]	500V [kW]						

The handles are padlockable with three padlocks in O-position

Threaded knock-out openings, compression glands have to be ordered separately, page 85. Standard compression glands may be used (no EMC).

5.5	7.5	7.5	7.5	2xM25+M16	1no	2no+2nc	OTE16T4M	1SCA022613R2430	0.53
7.5	15	15	15	2xM32+M16	1no	2no+2nc	OTE25T4M	1SCA022613R2510	0.96
11	22	22	15	2xM32+M16	1no	2no+2nc	OTE36T4M	1SCA022613R2600	0.96
22	37	37	37	2xM50+M16	1no	2no+2nc	OTE75T4M	1SCA022812R4670	3.7
22	45	45	45	2xM50+M16	1no	2no+2nc	OTE90T4M	1SCA022812R5050	3.7

Knock-out flanges, flanges have to be ordered separately, page 84. Standard flanges may be used (no EMC).

22	37	37	37	I-flange	1no	2no+2nc	OTE75T4B	1SCA022438R4250	3.7
22	45	45	45	I-flange	1no	2no+2nc	OTE90T4B	1SCA022438R4330	3.7

The handles are padlockable with three padlocks in O- and I-position

Threaded knock-out openings, compression glands have to be ordered separately, page 85. Standard compression glands may be used (no EMC).

5.5	7.5	7.5	7.5	2xM25+M16	1no	2no+2nc	OTE16TL4M	1SCA022613R9950	0.53
7.5	15	15	15	2xM32+M16	1no	2no+2nc	OTE25TL4M	1SCA022614R0370	0.96
11	22	22	15	2xM32+M16	1no	2no+2nc	OTE36TL4M	1SCA022614R0700	0.96
22	37	37	37	2xM50+M16	1no	2no+2nc	OTE75TL4M	1SCA022812R5300	3.7
22	45	45	45	2xM50+M16	1no	2no+2nc	OTE90TL4M	1SCA022812R5560	3.7

Knock-out flanges, flanges have to be ordered separately, page 84. Standard flanges may be used (no EMC).

22	37	37	37	I-flange	1no	2no+2nc	OTE75TL4B	1SCA022469R1260	3.7
22	45	45	45	I-flange	1no	2no+2nc	OTE90TL4B	1SCA022469R1340	3.7

6-pole, cable entries from top and bottom

The handles are padlockable with three padlocks in O-position

Selector handle

Threaded knock-out openings, compression glands have to be ordered separately, page 85. Standard compression glands may be used (no EMC).

5.5	7.5	7.5	7.5	2xM25+M16	1no	2no+2nc	OTE16T6M	1SCA022613R8980	1.0
-----	-----	-----	-----	-----------	-----	---------	----------	-----------------	-----

Pistol handle

Threaded knock-out openings, compression glands have to be ordered separately, page 85. Standard compression glands may be used (no EMC).

22	37	37	37	2xM50+M16	1no	2no+2nc	OTE75T6M	1SCA022812R5720	4.2
22	45	45	45	2xM50+M16	1no	2no+2nc	OTE90T6M	1SCA022812R5810	4.2

Knock-out flanges, flanges have to be ordered separately, page 84. Standard flanges may be used (no EMC).

7.5	15	15	15	I-flange	1no	2no+2nc	OTE25T6B	1SCA022506R4120	4.1
11	22	22	15	I-flange	1no	2no+2nc	OTE36T6B	1SCA022506R4210	4.1
22	37	37	37	I-flange	1no	2no+2nc	OTE75T6B	1SCA022536R1680	4.2
22	45	45	45	I-flange	1no	2no+2nc	OTE90T6B	1SCA022536R1760	4.2

With disturbance protected safety switches the cables have to be shielded.

Ordering information

Plastic enclosed EMC safety switches

OTE16A...36A_
S00760A



OTE75A_, OTE90A_
S00763A



EMC safety switches, 3-pole, IP65, red-yellow handle

The delivery includes a red-yellow selector type handle (I-O/ON-OFF), auxiliary contacts according to the table below, and PE-terminal. Grey enclosure.

Cable entries from top and bottom

Max. motor output/ AC-23A				Cable	Auxiliary	Auxiliary	Type	Order number	Weight /unit [kg]
230V [kW]	400V [kW]	500V [kW]	690V [kW]	outlets/ side	contacts included	contacts max.			

The handles are padlockable with three padlocks in O-position

Threaded knock-out openings, compression glands have to be ordered separately, page 85. Standard compression glands may be used (no EMC).

5.5	7.5	7.5	7.5	2xM25+M16	1no	2no+2nc	OTE16A3M	1SCA022613R8710	0.5
7.5	15	15	15	2xM32+M16	1no	2no+2nc	OTE25A3M	1SCA022613R9010	0.9
11	22	22	15	2xM32+M16	1no	2no+2nc	OTE36A3M	1SCA022613R9280	0.9
22	37	37	37	2xM50+M16	1no	2no+2nc	OTE75A3M	1SCA022812R5990	3.6
22	45	45	45	2xM50+M16	1no	2no+2nc	OTE90A3M	1SCA022812R6020	3.6

Knock-out flanges, flanges have to be ordered separately, page 84. Standard flanges may be used (no EMC).

22	37	37	37	I -flange	1no	2no+2nc	OTE75A3B	1SCA022438R4760	3.6
22	45	45	45	I -flange	1no	2no+2nc	OTE90A3B	1SCA022438R4840	3.6

The handles are padlockable with three padlocks in O- and I-position

Threaded knock-out openings, compression glands have to be ordered separately, page 85. Standard compression glands may be used (no EMC).

5.5	7.5	7.5	7.5	2xM25+M16	1no	2no+2nc	OTE16AL3M	1SCA022613R9610	0.5
7.5	15	15	15	2xM32+M16	1no	2no+2nc	OTE25AL3M	1SCA022614R0020	0.9
11	22	22	15	2xM32+M16	1no	2no+2nc	OTE36AL3M	1SCA022614R0450	0.9
22	37	37	37	2xM50+M16	1no	2no+2nc	OTE75AL3M	1SCA022812R6110	3.6
22	45	45	45	2xM50+M16	1no	2no+2nc	OTE90AL3M	1SCA022812R6290	3.6

Knock-out flanges, flanges have to be ordered separately, page 84. Standard flanges may be used (no EMC).

22	37	37	37	I -flange	1no	2no+2nc	OTE75AL3B	1SCA022500R9290	3.6
22	45	45	45	I -flange	1no	2no+2nc	OTE90AL3B	1SCA022500R9370	3.6

With disturbance protected safety switches the cables have to be shielded.

Ordering information

Plastic enclosed EMC safety switches

OTE16...36A4_
S00760A



EMC safety switches, 4 and 6-pole, IP65, red-yellow handle

The delivery includes a yellow-red handle (I-O/ON-OFF), auxiliary contacts according to the table below, and N- and PE-terminals. Grey enclosure.

OTE75A4_, OTE90A4_
S00763A



4-pole, cable entries from top and bottom, selector handle

Max. motor output/ AC-23A				Cable	Auxiliary	Auxiliary	Type	Order number	Weight /unit [kg]
230V [kW]	400V [kW]	500V [kW]	690V [kW]	outlets/ side	contacts included	contacts max.			

The handles are padlockable with three padlocks in O-position

Threaded knock-out openings, compression glands have to be ordered separately, page 85. Standard compression glands may be used (no EMC).

5.5	7.5	7.5	7.5	2xM25+M16	1no	2no+2nc	OTE16A4M	1SCA022613R8800	0.53
7.5	15	15	15	2xM32+M16	1no	2no+2nc	OTE25A4M	1SCA022613R9100	0.96
11	22	22	15	2xM32+M16	1no	2no+2nc	OTE36A4M	1SCA022613R9360	0.96
22	37	37	37	2xM50+M16	1no	2no+2nc	OTE75A4M	1SCA022812R6370	3.7
22	45	45	45	2xM50+M16	1no	2no+2nc	OTE90A4M	1SCA022812R6450	3.7

Knock-out flanges, flanges have to be ordered separately, page 84. Standard flanges may be used (no EMC).

22	37	37	37	I-flange	1no	2no+2nc	OTE75A4B	1SCA022438R5220	3.7
22	45	45	45	I-flange	1no	2no+2nc	OTE90A4B	1SCA022438R5310	3.7

The handles are padlockable with three padlocks in O- and I-position

Threaded knock-out openings, compression glands have to be ordered separately, page 85. Standard compression glands may be used (no EMC).

5.5	7.5	7.5	7.5	2xM25+M16	1no	2no+2nc	OTE16AL4M	1SCA022613R9790	0.53
7.5	15	15	15	2xM32+M16	1no	2no+2nc	OTE25AL4M	1SCA022614R0110	0.96
11	22	22	15	2xM32+M16	1no	2no+2nc	OTE36AL4M	1SCA022614R0530	0.96
22	37	37	37	2xM50+M16	1no	2no+2nc	OTE75AL4M	1SCA022812R6530	3.7
22	45	45	45	2xM50+M16	1no	2no+2nc	OTE90AL4M	1SCA022812R6610	3.7

Knock-out flanges, flanges have to be ordered separately, page 84. Standard flanges may be used (no EMC).

22	37	37	37	I-flange	1no	2no+2nc	OTE75AL4B	1SCA022500R9700	3.7
22	45	45	45	I-flange	1no	2no+2nc	OTE90AL4B	1SCA022500R9880	3.7

OTE16A6_
S00760A



OTE25...90A6_
S00769



6-pole, cable entries from top and bottom

The handles are padlockable with three padlocks in O-position.

Selector handle

Threaded knock-out openings, compression glands have to be ordered separately, page 85. Standard compression glands may be used (no EMC).

5.5	7.5	7.5	7.5	2xM25+M16	1no	2no+2nc	OTE16A6M	1SCA022681R1250	1.0
-----	-----	-----	-----	-----------	-----	---------	----------	-----------------	-----

Pistol handle

Threaded knock-out openings, compression glands have to be ordered separately, page 85. Standard compression glands may be used (no EMC).

22	37	37	37	2xM50+M16	1no	2no+2nc	OTE75A6M	1SCA022812R6700	4.2
22	45	45	45	2xM50+M16	1no	2no+2nc	OTE90A6M	1SCA022812R6880	4.2

Knock-out flanges, flanges have to be ordered separately, page 84. Standard flanges may be used (no EMC).

7.5	15	15	15	I-flange	1no	2no+2nc	OTE25A6B	1SCA022615R0500	4.1
11	22	22	15	I-flange	1no	2no+2nc	OTE36A6B	1SCA022652R3890	4.1
22	37	37	37	I-flange	1no	2no+2nc	OTE75A6B	1SCA022652R3970	4.2
22	45	45	45	I-flange	1no	2no+2nc	OTE90A6B	1SCA022652R4010	4.2

With disturbance protected safety switches the cables have to be shielded.

Ordering information

Steel sheet enclosed EMC safety switches

OT16...36_3TE
S01211A



EMC safety switches, 3 and 6-pole, IP65, black handle

The delivery includes a black handle (I-O/ON-OFF), auxiliary contact 1 no and PE-terminal. Knock-out openings included, cable outlets also for control cable. Compression glands have to be ordered separately, see Accessories for EMC Safety switches. Equipped with hinges and lock, grey enclosure.

OT63_3TE
S01335A



3-pole, cable entries from top and bottom

Max. motor output/ AC-23A				Cable outlets/ side	Auxiliary contacts included	Auxiliary contacts max.	Type	Order number	Weight /unit [kg]
230V [kW]	400V [kW]	500V [kW]	690V [kW]						
Selector handle									
5.5	7.5	7.5	7.5	2xø25.5+ø16.5	1no	2no+2nc	OT16ETMM3TE	1SCA022734R5980	1.7
7.5	15	15	15	2xø32.5+ø16.5	1no	2no+2nc	OT25ETMM3TE	1SCA022734R6010	1.9
11	22	22	15	2xø32.5+ø16.5	1no	2no+2nc	OT36ETMM3TE	1SCA022734R6100	1.9
Pistol handle									
18.5	30	30	30	2xø32.5+ø16.5	1no	2no+2nc	OT63ETMM3TE	1SCA022734R6280	2.4

OT16_6TE
S01211A



6-pole, cable entries from top and bottom

Max. motor output/ AC-23A				Cable outlets/ side	Auxiliary contacts included	Auxiliary contacts max.	Type	Order number	Weight /unit [kg]
230V [kW]	400V [kW]	500V [kW]	690V [kW]						
Selector handle									
5.5	7.5	7.5	7.5	2xø25.5+ø16.5	1no	2no+2nc	OT16ETMM6TE	1SCA022739R3870	1.9
Pistol handle									
7.5	15	15	15	2xø32.5+ø16.5	1no	2no+1nc	OT25ETMM6TE	1SCA022739R3950	4.0
11	22	22	15	2xø32.5+ø16.5	1no	2no+1nc	OT36ETMM6TE	1SCA022739R4090	4.0

OT25...36_6TE
S01335A



With disturbance protected safety switches the cables have to be shielded.

Ordering information

Steel sheet enclosed EMC safety switches

OT160...1250_RR3TZ
S00850A



OT90...1250_UR3TZ
S00507A



EMC safety switches with ring-flange cable entries, 3-pole, IP65, black handle

The delivery includes:

- Black pistol type handle (I-O / ON - OFF indication), grey enclosure
- Auxiliary contacts are wired to the terminal blocks in sizes 200A...400A
- PE-terminal
- Fixed divided cable entry with ring-flange entries. Entry plate fixing profiles are used also for mounting the safety switch
- Ring-flange covers with knock-out openings, (delivered unfastened), one knock-out opening / ring-flange cover. The number of ring-flange covers and the size of knock-out openings on the table below.

To be ordered separately:

- Ring-flanges, the table below illustrates the number of ring-flange entries/ entry plate. Depending on the number of cables, ring-flange covers can be replaced by ring-flanges if required. see Accessories for EMC Safety switches.

Cable entries from top and bottom

Max. motor output/ AC-23A	Ring-flange		Ring-flange		Auxiliary contacts included	Auxiliary contacts max.	Type	Order number	Weight /unit [kg]		
	entries	covers with knock-outs included	covers with knock-outs included	covers with knock-outs included							
230V [kW]	400V [kW]	500V [kW]	690V [kW]	/side [pcs]							
					ø25,5	ø40,5					
45	75	75	75	4	3	3	1no+1nc	1no+1nc	OT160ETRR3TZ	1SCA022513R7370	19
55	110	132	160	4	3	3	2no+1nc	2no+1nc	OT200KTRR3TZ	1SCA022513R7450	21
75	132	160	200	4	3	3	2no+1nc	2no+1nc	OT250KTRR3TZ	1SCA022513R7530	21
90	160	200	250	4	3	3	2no+1nc	2no+1nc	OT315KTRR3TZ	1SCA022513R7610	21
110	220	280	355	4	2	3	2no+1nc	2no+1nc	OT400DTRR3TZ	1SCA022513R7700	27
180	315	400	560	4	2	2	2no+1nc	2no+1nc	OT630KTRR3TZ	1SCA022513R7880	31
200	400	500	710	4	2	2	2no+1nc	2no+1nc	OT800ETRR3TZ	1SCA022828R1770	31
315	560	710	1000	8	5	5	2no+1nc	2no+1nc	OT1000BTRR3TZ	1SCA022513R7960	66
400	710	900	1200	8	5	5	2no+1nc	2no+1nc	OT1250ETRR3TZ	1SCA103280R1001	66

Cable entries from bottom

Divided cable entry with ring-flange entries on bottom, blank entry plate on top											
30	45	45	45	4	2	2	1no+1nc	1no+1nc	OT90AUUR3TZ	1SCA022513R8000	12
37	55	55	55	4	2	2	1no+1nc	1no+1nc	OT125EUUR3TZ	1SCA022513R8180	12
45	75	75	75	4	1	1	1no+1nc	1no+1nc	OT160EUUR3TZ	1SCA022513R8260	21
55	110	132	160	4	1	1	2no+1nc	2no+1nc	OT200KUUR3TZ	1SCA022513R8340	23
75	132	160	200	4	1	1	2no+1nc	2no+1nc	OT250KUUR3TZ	1SCA022513R8420	27
90	160	200	250	4	1	1	2no+1nc	2no+1nc	OT315KUUR3TZ	1SCA022513R8510	27
110	220	280	355	4	1	1	2no+1nc	2no+1nc	OT400DUUR3TZ	1SCA022513R8690	30
180	315	400	560	8	2	2	2no+1nc	2no+1nc	OT630KUUR3TZ	1SCA022513R8770	50
200	400	500	710	8	2	2	2no+1nc	2no+1nc	OT800EUUR3TZ	1SCA022828R0110	50
315	560	710	1000	8	1	1	2no+1nc	2no+1nc	OT1000BUUR3TZ	1SCA022513R8850	73
400	710	900	1200	8	1	1	2no+1nc	2no+1nc	OT1250EUUR3TZ	1SCA103281R1001	73

With disturbance protected safety switches the cables have to be shielded.

Ordering information

Steel sheet enclosed EMC safety switches

OT90...1000
S00850A



EMC safety switches with ring-flange cable entries, 6-pole, IP65, black handle

The delivery includes:

- Black pistol type handle (I-O / ON - OFF indication)
- Auxiliary contacts are wired to the terminal blocks in sizes 200A...400A
- PE-terminal
- Fixed divided cable entries with ring-flange entries. Entry plate fixing profiles are used also for mounting the safety switch
- Ring-flange covers with knock-out openings, (delivered unfastened), 1 knock-out opening / ring-flange cover.
- The number of ring-flange covers and the size of knock-out openings on the table below.

To be ordered separately:

- Ring-flanges, the table below illustrates the number of ring-flange entries/ entry plate. Depending on the number of cables, ring-flange covers can be replaced by ring-flanges if required.

The ordering information for ring-flanges, see Accessories for EMC Safety switches.

Cable entries from top and bottom

Max. motor output/ AC-23A	Ring-flange				Ring- flange entries /side [pcs]	Ring-flange covers with knock-outs included		Auxiliary contacts included	Auxiliary contacts max.	Type	Order number	Weight /unit [kg]
	230V [kW]	400V [kW]	500V [kW]	690V [kW]		ø25,5	ø40,5					
Divided cable entry with ring-flange entries on top and bottom												
30	45	45	45	45	4	2	2	2no+2nc	2no+2nc	OT90ATTR6TZ	1SCA022545R7100	14
37	55	55	55	55	4	2	2	2no+2nc	2no+2nc	OT125ETRR6TZ	1SCA022545R7280	14
45	75	75	75	75	4	2	2	2no+2nc	2no+2nc	OT160ETRR6TZ	1SCA022545R7360	29
55	110	132	160	160	8	6	6	4no+2nc	4no+2nc	OT200KTRR6TZ	1SCA022545R7440	37
75	132	160	200	200	8	4	4	4no+2nc	4no+2nc	OT250KTRR6TZ	1SCA022545R7520	42
90	160	200	250	250	8	4	4	4no+2nc	4no+2nc	OT315KTRR6TZ	1SCA022545R7610	42
110	220	280	355	355	8	4	4	4no+2nc	4no+2nc	OT400DTRR6TZ	1SCA022545R7790	45
180	315	400	560	560	8	4	4	4no+2nc	4no+2nc	OT630KTRR6TZ	1SCA022545R7870	54
200	400	500	710	710	8	4	4	4no+2nc	4no+2nc	OT800ETRR6TZ	1SCA022828R2660	54
250	500	600	800	800	8	2	2	2no+2nc	4no+2nc	OT1000BTRR6TZ	1SCA022545R7950	90

With disturbance protected safety switches the cables have to be shielded.

Ordering information

Steel sheet enclosed EMC safety switches

OT16...63_3T
S00822A



OT16...63_4T
S00822A



EMC safety switches, 3 and 4-pole, IP54, black handle

The delivery includes a black handle (I-O/ON-OFF), auxiliary contacts according to the table below, and PE-terminal. Grey enclosure, screw fixed cover. Knock-out openings included. Compression glands have to be ordered separately, see Accessories for EMC Safety switches. IP65 available on request.

3-pole, cable entries from top and bottom

Max. motor output/ AC-23A				Cable outlets/ side	Auxiliary contacts included	Auxiliary contacts max.	Type	Order number	Weight /unit [kg]
230V [kW]	400V [kW]	500V [kW]	690V [kW]						
Selector handle									
5.5	7.5	7.5	7.5	2xø25+ø16	1no	2no+2nc	OT16ETMM3T	1SCA022650R6610	1.6
7.5	15	15	15	2xø32+ø16	1no	2no+2nc	OT25ETMM3T	1SCA022650R6960	1.6
11	22	22	15	2xø32+ø16	1no	2no+2nc	OT36ETMM3T	1SCA022650R7180	1.7
18.5	30	30	30	2xø32+ø16	1no	2no+2nc	OT63ETMM3T	1SCA022650R7420	3.7

4-pole, cable entries from top and bottom

Max. motor output/ AC-23A				Cable outlets/ side	Auxiliary contacts included	Auxiliary contacts max.	Type	Order number	Weight /unit [kg]
230V [kW]	400V [kW]	500V [kW]	690V [kW]						
Selector handle									
5.5	7.5	7.5	7.5	2xø25+ø16	1no	2no+2nc	OT16ETMM4T	1SCA022650R6700	1.9
7.5	15	15	15	2xø32+ø16	1no	2no+2nc	OT25ETMM4T	1SCA022650R7000	1.9
11	22	22	15	2xø32+ø16	1no	2no+2nc	OT36ETMM4T	1SCA022650R7340	1.9
18.5	30	30	30	2xø32+ø16	1no	2no+2nc	OT63ETMM4T	1SCA022650R7260	4.0

With disturbance protected safety switches the cables have to be shielded.

Ordering information

Steel sheet enclosed EMC safety switches

OT90...1000_AA3T
S00834A



EMC safety switches, 3-pole, IP54, black handle

The delivery includes a black handle (I-O/ON-OFF), auxiliary contacts according to the table below, and PE-terminal. Grey enclosure. IP65 available on request. Cable entries and flanges have to be ordered separately, see Accessories for EMC Safety switches.

Cable entries from top and bottom, open top and bottom

Max. motor output/ AC-23A				Size of suitable cable entry	Auxiliary contacts included	Auxiliary contacts max.	Type	Order number	Weight /unit [kg]
230V [kW]	400V [kW]	500V [kW]	690V [kW]	W x D [mm]					

Pistol handle

Cable entries and flanges have to be ordered separately, see Accessories for EMC Safety switches. Entry plate fixing profiles are used also for mounting the safety switches.

30	45	45	45	250 x 180	1no+1nc	1no+1nc	OT90ATAA3T	1SCA022398R9030	9.8
37	55	55	55	250 x 180	1no+1nc	1no+1nc	OT125ETA3T	1SCA022398R9110	9.8
45	75	75	75	400 x 230	1no+1nc	1no+1nc	OT160ETA3T	1SCA022398R9200	15
55	110	132	160	400 x 230	2no+1nc	2no+1nc	OT200KTA3T	1SCA022398R9380	17
75	132	160	200	400 x 230	2no+1nc	2no+1nc	OT250KTA3T	1SCA022398R9460	17
90	160	200	250	400 x 230	2no+1nc	2no+1nc	OT315KTA3T	1SCA022398R9540	17
110	220	280	355	400 x 230	2no+1nc	2no+1nc	OT400DTA3T	1SCA022398R9620	23
180	315	400	560	400 x 230	2no+1nc	2no+1nc	OT630KTA3T	1SCA022398R9710	27
200	400	500	710	400 x 230	2no+1nc	2no+1nc	OT800ETA3T	1SCA022828R1850	27
315	560	710	1000	800 x 330	2no+1nc	2no+1nc	OT1000BTA3T	1SCA022398R9890	56

Cable entries from bottom, open bottom

Pistol handle

Blank entry plate on top. Cable entry and flanges have to be ordered separately for bottom, see Accessories for EMC Safety switches. Entry plate fixing profiles are also used for mounting the safety switches.

30	45	45	45	400 x 230	1no+1nc	1no+1nc	OT90AUUA3T	1SCA022398R8140	10
37	55	55	55	400 x 230	1no+1nc	1no+1nc	OT125EUUA3T	1SCA022398R8220	10
45	75	75	75	400 x 230	1no+1nc	1no+1nc	OT160EUUA3T	1SCA022398R8310	19
55	110	132	160	400 x 230	2no+1nc	2no+1nc	OT200KUUA3T	1SCA022398R8490	21
75	132	160	200	400 x 230	2no+1nc	2no+1nc	OT250KUUA3T	1SCA022398R8570	25
90	160	200	250	400 x 230	2no+1nc	2no+1nc	OT315KUUA3T	1SCA022398R8650	25
110	220	280	355	400 x 230	2no+1nc	2no+1nc	OT400DUUA3T	1SCA022398R8730	28
180	315	400	560	800 x 230	2no+1nc	2no+1nc	OT630KUUA3T	1SCA022398R8810	46
200	400	500	710	800 x 230	2no+1nc	2no+1nc	OT800EUUA3T	1SCA022828R0290	46
315	560	710	1000	800 x 330	2no+1nc	2no+1nc	OT1000BUUA3T	1SCA022398R8900	68

With disturbance protected safety switches the cables have to be shielded.

OT90...1000_UA3T
S07203



Ordering information

Steel sheet enclosed EMC safety switches

OT16...36_3AE
S01345A



OT63_3AE
S01346A



OT16_6AE
S01345A



OT25...36_6AE
S01346A



EMC safety switches, 3 and 6-pole, IP65, red-yellow handle

Red-yellow handle, grey enclosure, IP65

The delivery includes a red-yellow handle (I-O/ON-OFF), auxiliary contact 1 no and PE-terminal. Knock-out openings included, cable outlets also for control cable. Compression glands have to be ordered separately, see Accessories for EMC Safety switches. Equipped with hinges and lock, grey enclosure.

3-pole, cable entries from top and bottom

Max. motor output/ AC-23A				Cable outlets/ side	Auxiliary contacts included	Auxiliary contacts max.	Type	Order number	Weight /unit [kg]
230V [kW]	400V [kW]	500V [kW]	690V [kW]						
Selector handle									
5.5	7.5	7.5	7.5	2xø25.5+ø16.5	1no	2no+2nc	OT16ETMM3AE	1SCA022742R0780	1.7
7.5	15	15	15	2xø32.5+ø16.5	1no	2no+2nc	OT25ETMM3AE	1SCA022742R0860	1.9
11	22	22	15	2xø32.5+ø16.5	1no	2no+2nc	OT36ETMM3AE	1SCA022742R0940	1.9
Pistol handle									
18.5	30	30	30	2xø32.5+ø16.5	1no	2no+2nc	OT63ETMM3AE	1SCA022742R1080	2.4

6-pole, cable entries from top and bottom

Max. motor output/ AC-23A				Cable outlets/ side	Auxiliary contacts included	Auxiliary contacts max.	Type	Order number	Weight /unit [kg]
230V [kW]	400V [kW]	500V [kW]	690V [kW]						
Selector handle									
5.5	7.5	7.5	7.5	2xø25.5+ø16.5	1no	2no+2nc	OT16ETMM6AE	1SCA022742R1160	1.9
Pistol handle									
7.5	15	15	15	2xø32.5+ø16.5	1no	2no+2nc	OT25ETMM6AE	1SCA022742R1240	4.0
11	22	22	15	2xø32.5+ø16.5	1no	2no+2nc	OT36ETMM6AE	1SCA022742R1320	4.0

With disturbance protected safety switches the cables have to be shielded.

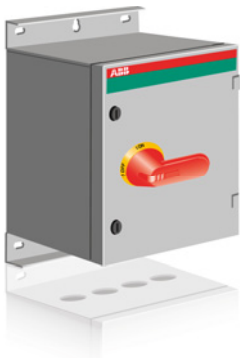
Ordering information

Steel sheet enclosed EMC safety switches

OT160...1250_RR3AZ
S01764A



OT90...1250_UR3AZ
S00870A



EMC safety switches with ring-flange cable entries, 3-pole, IP65, red-yellow handle

The delivery includes:

- Red-yellow pistol type handle (I-O / ON - OFF indication), grey enclosure
- Auxiliary contacts according to the table below
- PE-terminal
- Fixed divided cable entry with ring-flange entries. Entry plate fixing profiles are used also for mounting the safety switch
- Ring-flange covers with knock-out openings, (delivered unfastened), one knock-out opening/ring-flange cover. The number of ring-flange covers and the size of knock-out openings on the table below.

To be ordered separately:

- Ring-flanges, the table below illustrates the number of ring-flange entries/ entry plate. Depending on the number of cables, ring-flange covers can be replaced by ring-flanges if required. The ordering information for ring-flanges, see Accessories for EMC Safety switches.

Cable entries from top and bottom

Max. motor output/ AC-23A 230V [kW]	400V [kW]	500V [kW]	690V [kW]	Ring- flange entries /side [pcs]	Ring-flange covers with knock-outs included		Auxiliary contacts included	Auxiliary contacts max.	Type	Order number	Weight /unit [kg]
					ø25,5	ø40,5					
Divided cable entry with ring-flange entries on top and bottom											
45	75	75	75	4	3	3	1no+1nc	1no+1nc	OT160ETRR3AZ	1SCA022742R3370	19
55	110	132	160	4	3	3	2no+1nc	2no+1nc	OT200KTRR3AZ	1SCA022742R3450	21
75	132	160	200	4	3	3	2no+1nc	2no+1nc	OT250KTRR3AZ	1SCA022742R3630	21
90	160	200	250	4	3	3	2no+1nc	2no+1nc	OT315KTRR3AZ	1SCA022742R3610	21
110	220	280	355	4	2	3	2no+1nc	2no+1nc	OT400DTRR3AZ	1SCA022742R3700	27
180	315	400	560	4	2	2	2no+1nc	2no+1nc	OT630KTRR3AZ	1SCA022742R3880	31
200	400	500	710	4	2	2	2no+1nc	2no+1nc	OT800ETRR3AZ	1SCA022828R2070	31
315	560	710	1000	8	5	5	2no+1nc	2no+1nc	OT1000BTRR3AZ	1SCA102749R1001	66
400	710	900	1200	8	5	5	2no+1nc	2no+1nc	OT1250ETRR3AZ	1SCA103282R1001	66

Cable entries from bottom

Divided cable entry with ring-flange entries on bottom, blank entry plate on top											
30	45	45	45	4	2	2	1no+1nc	1no+1nc	OT90AUUR3AZ	1SCA022700R6260	12
37	55	55	55	4	2	2	1no+1nc	1no+1nc	OT125EUUR3AZ	1SCA022725R2710	12
45	75	75	75	4	1	1	1no+1nc	1no+1nc	OT160EUUR3AZ	1SCA022732R2260	21
55	110	132	160	4	1	1	2no+1nc	2no+1nc	OT200KUUR3AZ	1SCA022700R6340	23
75	132	160	200	4	1	1	2no+1nc	2no+1nc	OT250KUUR3AZ	1SCA022725R3190	27
90	160	200	250	4	1	1	2no+1nc	2no+1nc	OT315KUUR3AZ	1SCA022725R2890	27
110	220	280	355	4	1	1	2no+1nc	2no+1nc	OT400DUUR3AZ	1SCA022700R6420	30
180	315	400	560	8	2	2	2no+1nc	2no+1nc	OT630KUUR3AZ	1SCA022725R2970	50
200	400	500	710	8	2	2	2no+1nc	2no+1nc	OT800EUUR3AZ	1SCA022828R0450	50
315	560	710	1000	8	1	1	2no+1nc	2no+1nc	OT1000BUUR3AZ	1SCA022725R3010	73
400	710	900	1200	8	1	1	2no+1nc	2no+1nc	OT1250EUUR3AZ	1SCA103283R1001	73

With disturbance protected safety switches the cables have to be shielded.

Ordering information

Steel sheet enclosed EMC safety switches

OT90...1000
S01764A



EMC safety switches with ring-flange cable entries, 6-pole, IP65, red-yellow handle

The delivery includes:

- Red-yellow pistol type handle (I-O / ON - OFF indication), grey enclosure
- Auxiliary contacts according to the table below
- PE-terminal
- Fixed divided cable entries with ring-flange entries. Entry plate fixing profiles are used also for mounting the safety switch
- Ring-flange covers with knock-out openings, (delivered unfastened), one knock-out opening / ring-flange cover. The number of ring-flange covers and the size of knock-out openings on the table below.

To be ordered separately:

- Ring-flanges, the table below illustrates the number of ring-flange entries/ entry plate. Depending on the number of cables, ring-flange covers can be replaced by ring-flanges if required. The ordering information for ring-flanges, see Accessories for EMC Safety switches.

Cable entries from top and bottom

Max. motor output/				Ring-flange entries /side [pcs]	Ring-flange covers with knock-outs		Auxiliary contacts included	Auxiliary contacts max.	Type	Order number	Weight /unit [kg]
AC-23A	230V [kW]	400V [kW]	500V [kW]		690V [kW]	included [pcs]					
30	45	45	45	4	2	2	2no+2nc	2no+2nc	OT 90ATTR6AZ	1SCA022742R4000	14
37	55	55	55	4	2	2	2no+2nc	2no+2nc	OT125ETRR6AZ	1SCA022742R4180	14
45	75	75	75	4	2	2	2no+2nc	2no+2nc	OT160ETRR6AZ	1SCA022742R4260	29
55	110	132	160	8	6	6	4no+2nc	4no+2nc	OT200KTRR6AZ	1SCA022742R4340	37
75	132	160	200	8	4	4	4no+2nc	4no+2nc	OT250KTRR6AZ	1SCA022742R4420	42
90	160	200	250	8	4	4	4no+2nc	4no+2nc	OT315KTRR6AZ	1SCA022742R4510	42
110	220	280	355	8	4	4	4no+2nc	4no+2nc	OT400 DTRR6AZ	1SCA022742R4690	45
180	315	400	560	8	4	4	4no+2nc	4no+2nc	OT630KTRR6AZ	1SCA022742R4770	54
200	400	500	710	8	4	4	4no+2nc	4no+2nc	OT800ETRR6AZ	1SCA022828R2820	54
250	500	600	800	8	2	2	2no+2nc	4no+2nc	OT1000BTRR6AZ	1SCA022742R4850	90

With disturbance protected safety switches the cables have to be shielded.

Ordering information

Steel sheet enclosed EMC safety switches

OT16...63_3A
S01090A



EMC safety switches, 3 and 4-pole, IP54, red-yellow handle

The delivery includes a red-yellow handle (I-O/ON-OFF), auxiliary contacts according to the table below, and PE-terminal. Grey enclosure, screw fixed cover. Knock-out openings included. Compression glands have to be ordered separately, see Accessories for EMC Safety switches. IP65 available on request.

OT16...63_4A
S01090A



3-pole, cable entries from top and bottom

Max. motor output/ AC-23A				Cable outlets/ side	Auxiliary contacts included	Auxiliary contacts max.	Type	Order number	Weight /unit [kg]
230V [kW]	400V [kW]	500V [kW]	690V [kW]						
Selector handle									
5.5	7.5	7.5	7.5	2 x ø25 + ø16	1no	2no+2nc	OT16ETMM3A	1SCA022714R3500	1.6
7.5	15	15	15	2 x ø32 + ø16	1no	2no+2nc	OT25ETMM3A	1SCA022714R3680	1.6
11	22	22	15	2 x ø32 + ø16	1no	2no+2nc	OT36ETMM3A	1SCA022714R3840	1.7
18.5	30	30	30	2 x ø32 + ø16	1no	2no+2nc	OT63ETMM3A	1SCA022714R3920	3.7

4-pole, cable entries from top and bottom

Max. motor output/ AC-23A				Cable outlets on bottom side	Auxiliary contacts included	Auxiliary contacts max.	Type	Order number	Weight /unit [kg]
230V [kW]	400V [kW]	500V [kW]	690V [kW]						
Selector handle									
5.5	7.5	7.5	7.5	2xø25+ø16	1no	2no+2nc	OT16ETMM4A	1SCA022714R4060	1.9
7.5	15	15	15	2xø32+ø16	1no	2no+2nc	OT25ETMM4A	1SCA022714R4140	1.9
11	22	22	15	2xø32+ø16	1no	2no+2nc	OT36ETMM4A	1SCA022714R4220	1.9
18.5	30	30	30	2xø32+ø16	1no	2no+2nc	OT63ETMM4A	1SCA022714R4310	4.0

With disturbance protected safety switches the cables have to be shielded.

Ordering information

Steel sheet enclosed EMC safety switches

OT90...1000_AA3A
S07205



EMC safety switches, 3-pole, IP54, red-yellow handle

The delivery includes a red-yellow handle (I-O/ON-OFF), auxiliary contacts according to the table below, and PE-terminal. Grey enclosure. IP65 available on request. Cable entries and flanges have to be ordered separately, see Accessories for EMC Safety switches.

Cable entries from top and bottom, open top and bottom

Max. motor output/ AC-23A				Size of suitable	Auxiliary	Auxiliary			Weight
230V	400V	500V	690V	cable entry	contacts	contacts			/unit
[kW]	[kW]	[kW]	[kW]	W x D [mm]	included	max.	Type	Order number	[kg]

Pistol handle

Cable entries and flanges have to be ordered separately, see Accessories for EMC Safety switches.

Entry plate fixing profiles are also used for mounting the safety switches.

30	45	45	45	250 x 180	1no+1nc	1no+1nc	OT90ATAA3A	1SCA022438R6460	9.8
37	55	55	55	250 x 180	1no+1nc	1no+1nc	OT125ETAA3A	1SCA022438R6540	9.8
45	75	75	75	400 x 230	1no+1nc	1no+1nc	OT160ETAA3A	1SCA022438R6620	15
55	110	132	160	400 x 230	2no+1nc	2no+1nc	OT200KTAA3A	1SCA022438R6710	17
75	132	160	200	400 x 230	2no+1nc	2no+1nc	OT250KTAA3A	1SCA022438R6890	17
90	160	200	250	400 x 230	2no+1nc	2no+1nc	OT315KTAA3A	1SCA022438R6970	17
110	220	280	355	400 x 230	2no+1nc	2no+1nc	OT400DTAA3A	1SCA022438R7010	23
180	315	400	560	400 x 230	2no+1nc	2no+1nc	OT630KTAA3A	1SCA022438R7190	27
200	400	500	710	400 x 230	2no+1nc	2no+1nc	OT800ETAA3A	1SCA022828R1930	27
315	560	710	1000	800 x 330	2no+1nc	2no+1nc	OT1000BTAA3A	1SCA022438R7270	56

Cable entries from bottom, open bottom

Max. motor output/ AC-23A				Size of suitable	Auxiliary	Auxiliary			Weight
230V	400V	500V	690V	cable entry	contacts	contacts			/unit
[kW]	[kW]	[kW]	[kW]	W x D [mm]	included	max.	Type	Order number	[kg]

Pistol handle

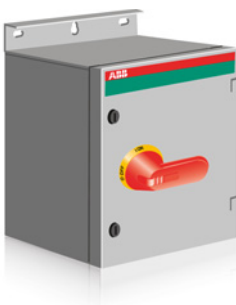
Blank entry plate on top. Cable entry and flanges have to be ordered separately for bottom, see Accessories for EMC

safety switches. Entry plate fixing profiles are also used for mounting the safety switches.

30	45	45	45	400 x 230	1no+1nc	1no+1nc	OT 90AUUA3A	1SCA022438R8160	10
37	55	55	55	400 x 230	1no+1nc	1no+1nc	OT 125EUUA3A	1SCA022438R8080	10
45	75	75	75	400 x 230	1no+1nc	1no+1nc	OT 160EUUA3A	1SCA022438R7940	19
55	110	132	160	400 x 230	2no+1nc	2no+1nc	OT 200KUUA3A	1SCA022438R7860	21
75	132	160	200	400 x 230	2no+1nc	2no+1nc	OT 250KUUA3A	1SCA022438R7780	25
90	160	200	250	400 x 230	2no+1nc	2no+1nc	OT 315KUUA3A	1SCA022438R7600	25
110	220	280	355	400 x 230	2no+1nc	2no+1nc	OT 400DUUA3A	1SCA022438R7510	28
180	315	400	560	800 x 230	2no+1nc	2no+1nc	OT 630KUUA3A	1SCA022438R7430	46
200	400	500	710	800 x 230	2no+1nc	2no+1nc	OT 800EUUA3A	1SCA022828R0370	46
315	560	710	1000	800 x 330	2no+1nc	2no+1nc	OT 1000BUUA3A	1SCA022438R7350	68

With disturbance protected safety switches the cables have to be shielded.

OT90...1000_UA3A
S07206



Ordering information

Aluminum enclosed EMC safety switches

LBAS316 TPN, LBAS416 TPSN
2CMC342002F0008



Side operated EMC safety switches, 3-pole, IP65

Cable entries from top and bottom

The delivery includes: enclosure in aluminum and handle in dark grey plastic, neutral and PE terminal, 1 NO auxiliary contact, cable entries with metric threaded holes with EMC approved membrane glands/sealing plugs IP68 (see table page 11). The switch-disconnector is lockable.

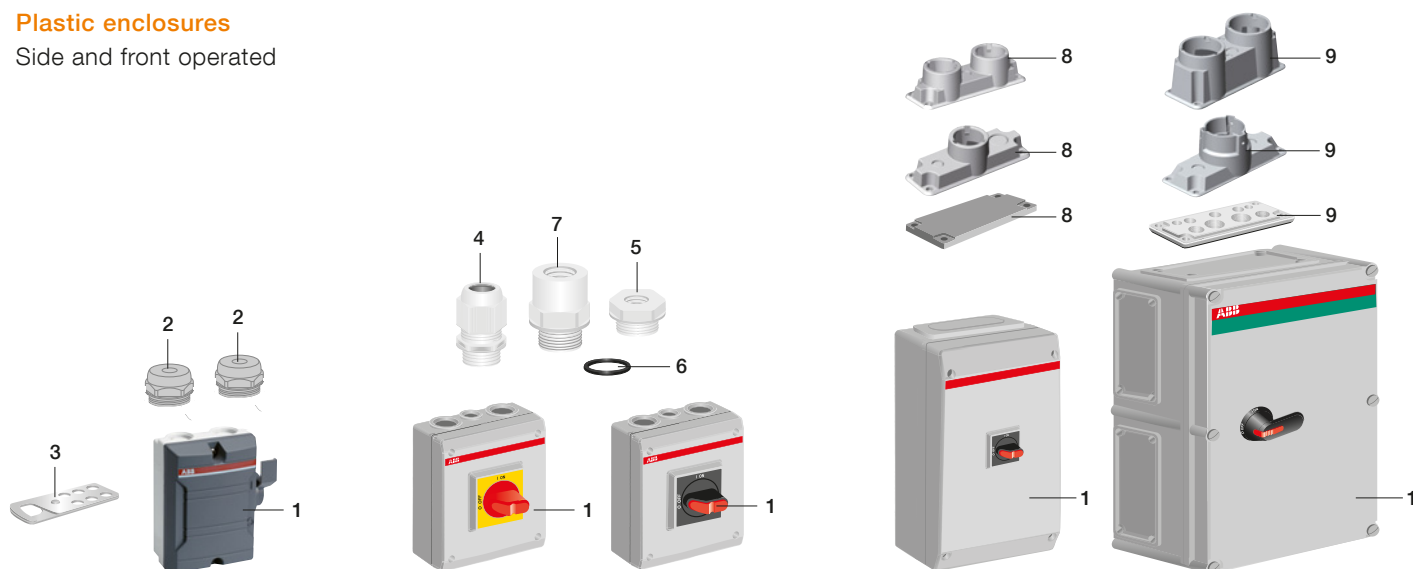
Rated operational current / power			Cable entries	Enclosure size [mm]			Type	Order number	Weight /unit [kg]
AC-23A	500V	690V		Up/Down	W	H			
	[A]	[A]	[kW]						
Dark grey side-operated handle, dark grey cover									
16	10	7,5	2xM25/2xM25	111	130	60	LBAS316E/TPN	2CMA142449R1000	0.57
25	16	11	2xM32/2xM32+1xM16	138	168	68	LBAS325E/TPN	2CMA142450R1000	0.80

Enclosure accessories

Selection overview

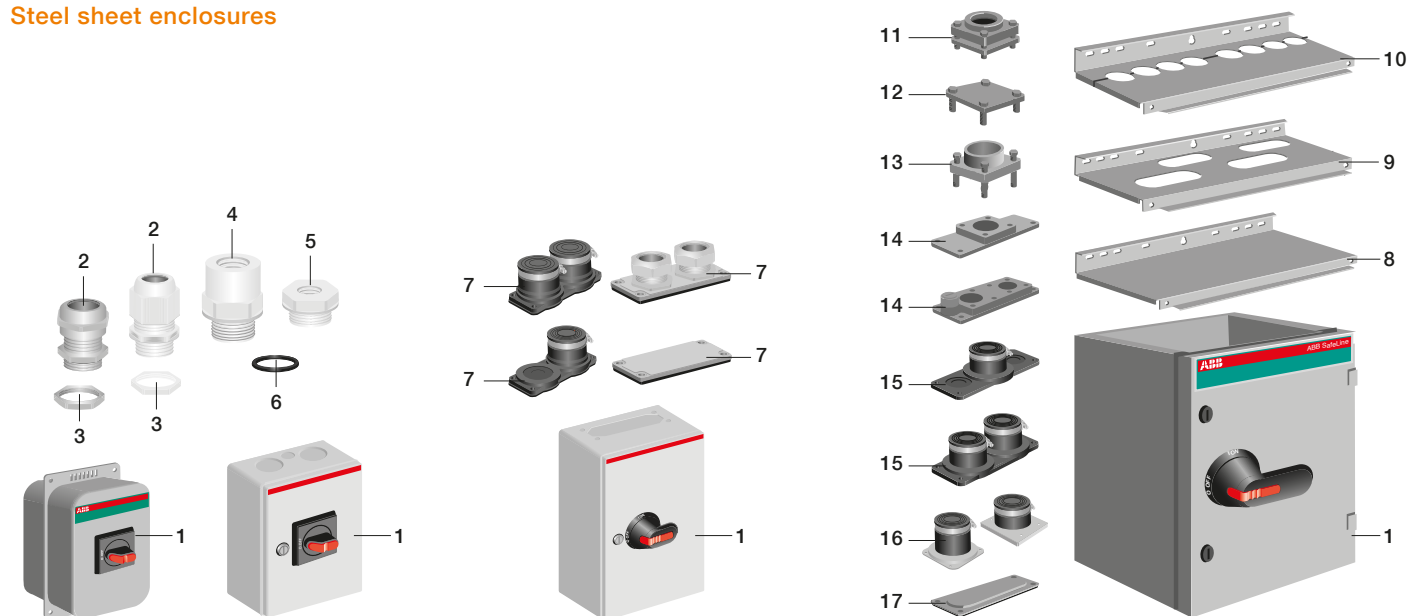
Plastic enclosures

Side and front operated



1 Enclosure | 2 Membrane gland/sealing plug (included) | 3 Padlock shackle L6 | 4 Compression gland | 5 Adapter (reducer) | 6 Gasket | 7 Adapter (expander) | 8 I-Flange | 9 II-Flange

Steel sheet enclosures

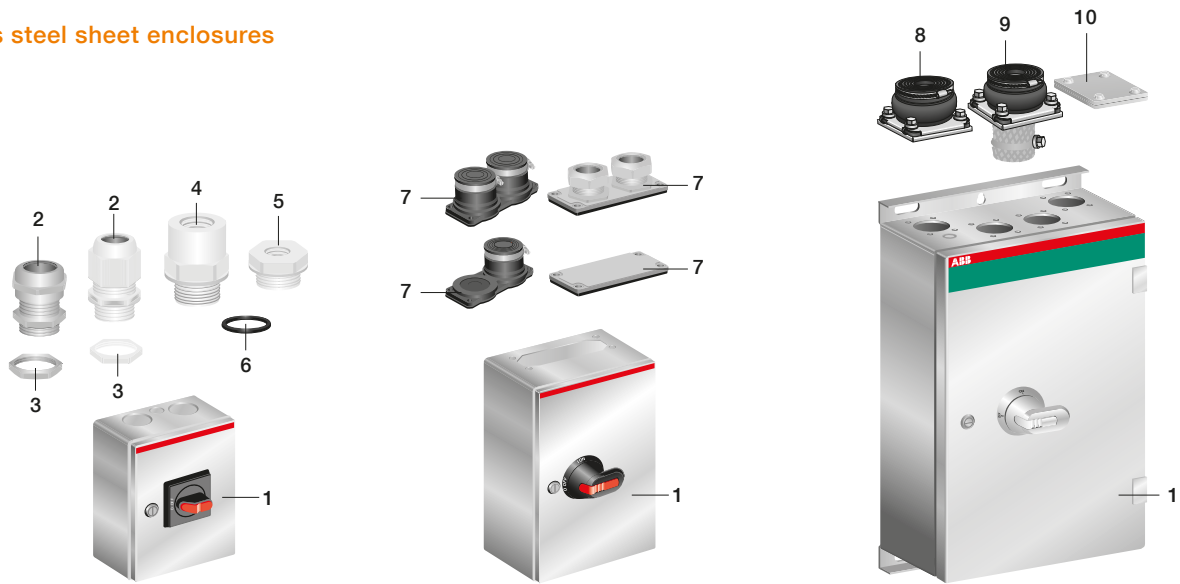


1 Enclosure | 2 Compression gland | 3 Locking nut | 4 Adapter (expander) | 5 Adapter (reducer) | 6 Gasket | 7 B-flange | 8 Blank cable entry | 9 Cable entry with C-flange entries | 10 Cable entry with ring-flange entries | 11 Ring-flange | 12 Ring-flange cover | 13 Plate extension for ring-flanges | 14 Ring-flange adapters for C-flange covers | 15 C-flange | 16 Cable inlets | 17 C-flange cover

Enclosure accessories

Selection overview

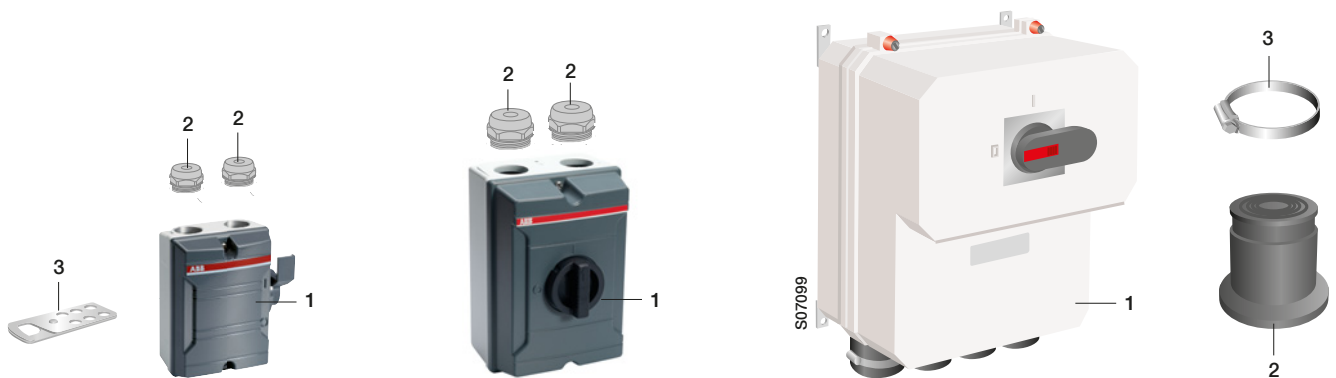
Stainless steel sheet enclosures



1 Enclosure | 2 Compression gland | 3 Locking nut | 4 Adapter (expander) | 5 Adapter (reducer) | 6 Gasket | 7 B-flange | 8 Membrane type cable flange | 9 Membrane type cable flange for EMC applications | 10 Flange cover

Aluminum enclosures

Side and front operated

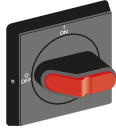


1 Enclosure | 2 Membrane gland/sealing plug (included) | 3 Padlock shackle L6 | 2 Cable tightening / gland (included) | 3 Hose clamp (included)

Ordering information

Accessories

OHB_2_
S00396A



Handles, plastic, black

Indication I-O and ON-OFF, colour = black

For safety switches	Handle length [mm]	Shaft diameter [mm]	Type	Order number	Units /type [pcs]	Weight /unit [kg]
---------------------	--------------------	---------------------	------	--------------	-------------------	-------------------

Selector type handle for 3- and 4-pole safety switches, IP65

The handle is padlockable with 3 padlocks in O-position, door interlock in I-position, defeatable.

OT16...90E			OHB2AJ	1SCA022347R4030	1	
------------	--	--	--------	-----------------	---	--

Pistol type handle for 3- and 4-pole safety switches, IP65

The handles are padlockable with 3 padlocks in O-position, door interlock in I-position, defeatable

OT90A...250_	65	6	OHB65J6	1SCA022380R9660	1	0.12
OT315...400_	95	12	OHB95J12	1SCA022381R0830	1	0.16
OT630...800_	125	12	OHB125J12	1SCA022381R1560	1	0.17
OT1000...1250_	274	12	OHB274J12	1SCA115920R1001	1	0.54

Pistol type handle for 6-pole safety switches, IP65

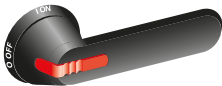
The handles are padlockable with 3 padlocks in O-position, door interlock in I-position, defeatable

OT25...75_	45	6	OHB45J6	1SCA022380R8770	1	0.10
OTP75...90_	45	6	OHB45J6	1SCA022380R8770	1	0.10
OT90A...800_	145	12	OHB145J12	1SCA022381R2110	1	0.17
OT1000_	175	12	OHB175J12	1SCA022381R2450	1	0.18

OHB_
S00601A



OHB_
S00469A



OHY_2_
S00856A



Handles, plastic, red-yellow

Indication I-O and ON-OFF, colour = red-yellow

For safety switches	Handle length [mm]	Shaft diameter [mm]	Type	Order number	Units /type [pcs]	Weight /unit [kg]
---------------------	--------------------	---------------------	------	--------------	-------------------	-------------------

Selector type handle for 3- and 4-pole safety switches, IP65

The handle is padlockable with 3 padlocks in O-position, door interlock in I-position, defeatable

OT16...90E_			OHYS2AJ	1SCA022353R2840	1	
-------------	--	--	---------	-----------------	---	--

Pistol type handle for 3- and 4-pole safety switches, IP65

The handles are padlockable with 3 padlocks in O-position, door interlock in I-position, defeatable

OT90A...250_	65	6	OHY65J6	1SCA022380R9820	1	0.12
OT315...400_	95	12	OHY95J12	1SCA022381R1050	1	0.16
OT630...800_	125	12	OHY125J12	1SCA022381R1720	1	0.17
OT1000...OT1250	274	12	OHY274J12	1SCA115919R1001	1	0.54

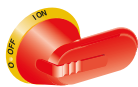
Pistol type handle for 6-pole safety switches, IP65

The handles are padlockable with 3 padlocks in O-position, door interlock in I-position, defeatable

OT25...75_	45	6	OHY45J6	1SCA022380R8930	1	0.10
OTP75...90_	45	6	OHY45J6	1SCA022380R8930	1	0.10
OT90A...800_	145	12	OHY145J12	1SCA022381R2370	1	0.17
OT1000_	175	12	OHY175J12	1SCA022381R2700	1	0.18

Door interlocking in I-position means that the door can not be opened, when the handle is in ON-position. This can be defeated in IP65 types to allow authorized personnel access for inspection.

OHY_
S00853A



OHY_
S00865A



Ordering information

Accessories

OHBS2AJEH



Handles, metallic / stainless steel

Indication I-O and ON-OFF

Selector type handle with metal hasp, IP65

For safety switches	Type	Order number	Units /type [pcs]	Weight /unit [kg]
The handle is padlockable with 3 padlocks in O-position, door interlock in I-position, defeatable				
OT16...90E_	OHBS2AJEH	1SCA108230R1001	1	

OHM_ S02140A



Stainless steel pistol type handles, for 3-pole safety switches, IP65

The handles are padlockable with 3 padlocks in O-position, door interlock in I-position, defeatable

Colour	Handle length [mm]	Shaft diameter [mm]	Type	Order number	Units /type [pcs]	Weight /unit [kg]
OT25...75_	65	6	OHM65L6	1SCA022739R1070	1	0.73
OT90A...800_	125	12	OHM125L12	1SCA022739R1150	1	0.76
OT1000_	175	12	OHM175L12	1SCA022739R1230	1	0.83

Stainless steel pistol type handles, for 6-pole safety switches, IP65

The handles are padlockable with 3 padlocks in O-position, door interlock in I-position, defeatable

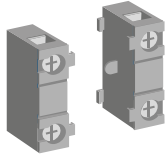
Colour	Handle length [mm]	Shaft diameter [mm]	Type	Order number	Units /type [pcs]	Weight /unit [kg]
OT25...75_	65	6	OHM65L6	1SCA022739R1070	1	0.73
OT90A...800_	175	12	OHM175L12	1SCA022739R1230	1	0.83

Door interlocking in ON-position means that the door can not be opened, when the handle is in ON-position. This can be defeated in IP65/IP66 types to allow authorized personnel access for inspection.

Ordering information

Accessories

OA1G_, OA3G_
S00261A

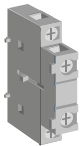


Auxiliary contacts

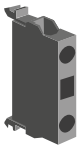
Auxiliary contacts for safety switches OTP_, OTE_, OT16...90E, OTR_, OTL_, BWS_ and LBAS_

Snap-on mounting to the switch, the auxiliary contacts (no) open before the main contacts. The auxiliary contact type OBEA_ is mounted with adapter OEZNP1. The type and order number are for one piece.

OA2G11
S01025A



OBEA_
S00040A



For safety switch	Auxiliary contact	Mounting to the side of the switch	Type	Order number	Delivery batch [pcs]	Weight /unit [kg]
OTP_, OTE_, OT16...90E_, OTR_, OTL_	1no	right	OA1G10	1SCA022353R4970	10	0.03
OTP_, OTE_, OT16...90E_, OTR_, OTL_	1nc	left	OA1G01	1SCA022353R4890	10	0.03
LBAS345...390, 475...490, 675_	1no	right	OA1G10	2CMA144690R1000	10	0.03
LBAS345...390, 475...490, 675_	1nc	left	OA1G01	2CMA144691R1000	10	0.03
OTR_, OTL_, 3- and 4-pole, OTP_6-pole	1no+1nc	left	OA2G11	1SCA022379R8100	10	0.06
BWS316...625, LBAS316...425	1no		OBEA10	2CMA144519R1000	10	0.01
BWS316...625, LBAS316...425	1nc		OBEA01	2CMA144520R1000	10	0.01
LBAS125..160/S_	1no		OBEA10	2CMA144519R1000	10	0.01
LBAS125..160/S_	1nc		OBEA01	2CMA144520R1000	10	0.01
LBAS200...250/S	1no+1nc		OZ XK12	2CMA144521R1000	1	0.12
LBAS400...630/S	1no+1nc		OZ XK1	2CMA144522R1000	1	0.12

Auxiliary contacts for safety switches OT90A...1000

Early break-type contacts (I-0). Additional auxiliary contacts can be mounted to the safety switches, or they can be changed to another contact function. For the max. number of auxiliary contacts, see the ordering information tables. The auxiliary contact type OBEA_ is mounted with adapter OEZNP1. The type and order number are for one piece.

OZ XK_
S01248A



For safety switches	Auxiliary contact	Type ¹⁾	Order number	Delivery batch [pcs]	Weight /unit [kg]
OT90A...160_	1no	OBEA10	1SCA022190R3000	10	0.02
OT90A...160_	1no	OBEA10AU	1SCA022185R3310	10	0.02
OT90A...160_	1nc	OBEA01	1SCA022190R3260	10	0.02
OT90A...160_	1nc	OBEA01AU	1SCA022185R3730	10	0.02
OT200...1250_	1no	OA1G10	1SCA022353R4970	10	0.03
OT200...1250_	1nc	OA3G01	1SCA022456R7410	10	0.03

OEZNP1
S00492A



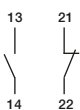
Adapter for OBEA_

Mountable on top of the switch

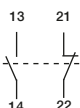
		OEZNP1	1SCA022259R7410	1	0.02
--	--	--------	-----------------	---	------

¹⁾ Types _AU for extremely difficult circumstances, even at low voltages. The contacts are gold plated.

1no, 1nc



1no + 1nc



Ordering information

Accessories

Auxiliary contacts

Technical data of auxiliary contacts:

		OA_	OBEA_ and OZXX_
Protection class		IP20	IP20
Rated thermal current I _{th}		16 A	10 A
Cable cross section, max.		2 x 2.5 mm ²	2 x 2.5 mm ²
Cable cross section, min.		0.75 mm ²	0.5 mm ²
Insulation voltage		690 V	690 V
Operational current in different voltages (IEC 60947-5-1)			
AC-15	230 V	6 A	-
	400...415 V	4 A	-
	690 V	2 A	-
AC-12	120 V	-	8 A
	240 V	-	6 A
	400...415 V	-	4 A
	480...500 V	-	3 A
	690 V	-	2 A
DC-12	24 V	10 A	5 A
	72 V	4 A	1.9 A
	125 V	2 A	1.1 A
	250 V	0.55 A	0.55 A
	440 V	0.1 A	0.31 A
	500 V	-	0.27 A
	600 V	-	0.2 A

Ordering information

Accessories

OZXT1
S00738A



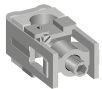
OZXL1
S01361A



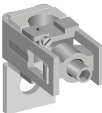
OZXB1
S07215



OZXB2
S00179A



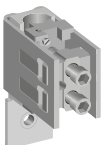
OZXB2L
S00182A



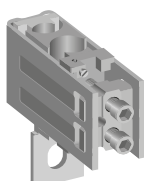
OZXB8, 9
S01806A



OZXB3, 5
S00186A



OZXB4, 6
S00188A



Terminal clamps for Al and Cu cables

Cables for steel sheet safety switches, see the table on page 12...13.

Cable cross section [mm ²]	Remark	Type	Order number	Units /type [pcs]	Weight /unit [kg]
--	--------	------	--------------	-------------------	-------------------

Terminal clamp sets for Al- and Cu-cables, insulated versions

16...50 Al, 2.5...50 Cu	Max. I _n = 63A	OZXT1	1SCA022469R6310	3	0.05
16...50 Al, 2.5...50 Cu	Max. I _n = 63A	OZXT1/1	1SCA022469R6490	1	0.02

Terminal clamp sets for Al- and Cu-cables

10...70 Al/Cu		OZXL1	1SCA022439R6770	3	0.18
10...70 Al/Cu		OZXL1/1	1SCA022469R6220	1	0.06
10...70 Al/Cu		OZXL2	1SCA022335R2430	3	0.20
10...70 Al/Cu		OZXL2/1	1SCA022352R3340	1	0.07

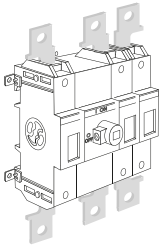
OZXB type Al/Cu connectors made of stainless steel

10...70 Al/Cu		OZXB1	1SCA022119R7450	3	0.15
10...70 Al/Cu		OZXB1/1	1SCA022193R9880	1	0.05
25...120 Al/Cu		OZXB2	1SCA022119R7610	3	0.34
25...120 Al/Cu		OZXB2/1	1SCA022194R0200	1	0.12
25...120 Al/Cu		OZXB2L	1SCA022158R7750	3	0.43
25...120 Al/Cu		OZXB2L/1	1SCA022194R0460	1	0.15
70...185 Al/Cu		OZXB3	1SCA022136R8100	3	1.28
70...185 Al/Cu		OZXB3/1	1SCA022194R0620	1	0.13
2x(70...185) Al/Cu		OZXB4	1SCA022137R4760	3	1.71
2x(70...185) Al/Cu		OZXB4/1	1SCA022194R0890	1	0.60
95...185 Al/Cu		OZXB8	1SCA022744R1510	3	0.50
95...185 Al/Cu		OZXB8/1	1SCA022744R1600	1	0.15
95...240 Al/Cu		OZXB9	1SCA022750R3210	3	0.50
95...240 Al/Cu		OZXB9/1	1SCA022750R3300	1	0.14
120...300 Al/Cu		OZXB5	1SCA022137R2470	3	2.22
120...300 Al/Cu		OZXB5/1	1SCA022194R1010	1	0.80
2x(120...300) Al/Cu		OZXB6	1SCA022137R4920	3	3.03
2x(120...300) Al/Cu		OZXB6/1	1SCA022194R1270	1	1.00

Ordering information

Accessories

OEZXX6
S01367A

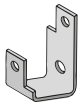


Busbar connections

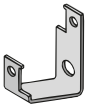
Cables for steel sheet safety switches, see the table on pages 12...13.

Suitable for terminal clamps or busbar	Bolt size	Type	Order number	Units /type [pcs]	Weight /unit [kg]
Busbar for connecting the cable to the switch, suitable for switches OT90A...160					
OZXB2		OEZXX6	1SCA022292R6330	3	0.20
Busbars for parallel connection					
2x OZXB2, OZXB2L		OZXE21	1SCA022161R8810	3	0.30
2x OZXB1		OZXE20	1SCA022161R8650	3	
2x OZXB6 + OZXB5		OZXE19	1SCA022162R8020	3	
OZXB2 + OZXB2L, 2 x OZXB9		OZXE45	1SCA022809R0240	3	
2 x OZXB9		OZXE46	1SCA022809R3180	3	
Terminal boltset for terminal connections					
OZXE21	M10 x 30	OZXE54	1SCA022733R9150	6	
OZXE45	M8 x 30	OZXE56	1SCA022811R5920	3	
OZXE46	M10 x 35	OZXE57	1SCA022811R6060	3	

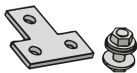
OZXE 21
S00094A



OZXE 20
S00093A



OZXE 19
S00092A



OZXE 45
S02137A



Neutral links for 5-wire systems

Rated current [A]	Cable cross section [mm²]	Mounting	Type	Order number	Units /type [pcs]	Weight /unit [kg]
200	10...120	On mounting plate	OESAZX162	1SCA022193R0400	1	0.12
315	10...300	On mounting plate	OESAZX164	1SCA022202R9520	1	0.10
400	10...300	On mounting plate	OESAZX165	1SCA022202R9790	1	0.12

OZXE 46
S02136A



Padlock unit suitable for all side operated switches

OESAZX
S01994A



Description	Type	Order number
Shackle for up to 6 padlocks	L6	2CMA144539R1000

L6
2CMC340002F0006

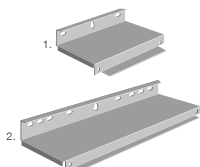


Ordering information

Enclosure accessories

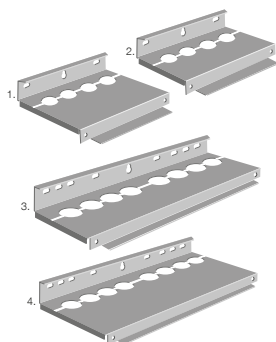
OEZXP__0

1. S00512A, 2. S00806A



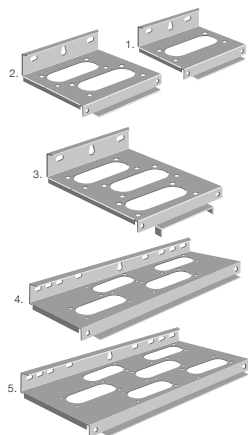
OEZXP__R

1. S00810A, 2. S00811A, 3. S00812A, 4. S00813A



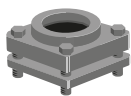
OEZXP__C

1. S00814A, 2. S00815A, 3. S00817A, 4. S00816A, 5. S00818A



OEZXR1__

S00514A



Cable outlet accessories

Cable entries for steel sheet enclosures OT90A...1600, OT36EA...75EA

Entry plate fixing profiles are also used for mounting the safety switches. The flanges have to be ordered separately, either ring-flanges or C-flanges.

Size of cable entry W x D [mm]	Number of C-flange entries [pcs]	Number of ring-flange entries [pcs]	Type	Order number	Weight /unit [kg]
Blank entries, no flange entries					
250x180 ¹⁾	-	-	OEZXP120	1SCA022277R2350	0.8
400x230	-	-	OEZXP240	1SCA022277R2780	1.5
400x330	-	-	OEZXP340	1SCA022277R3320	2.0
800x230	-	-	OEZXP280	1SCA022277R3910	3.0
800x330	-	-	OEZXP380	1SCA022277R4720	4.0
Cable entries with ring-flange entries, divided²⁾					
400x230	-	4	OEZXP24R	1SCA022277R3160	1.6
400x330	-	4	OEZXP34R	1SCA022277R3750	2.1
800x230	-	8	OEZXP28R	1SCA022277R4560	3.2
800x330	-	8	OEZXP38R	1SCA022277R5020	4.2
Cable entries with C-flange entries, compact²⁾					
250x180 ¹⁾	1	-	OEZXP120C	1SCA022338R5360	0.8
400x230	2	-	OEZXP240C	1SCA022338R5520	1.7
400x330	3	-	OEZXP340C	1SCA022338R5790	2.3
800x230	4	-	OEZXP280C	1SCA022338R5950	3.4
800x330	6	-	OEZXP380C	1SCA022338R6170	4.5

Cable entry gasket set for IP65 switches

For IP65 switches only, to seal up the cable entry	OEZXX2	1SCA022281R5340
--	--------	-----------------

Ring-flanges for different cable diameters

Outside diameter of cable [mm]	Suitable for cable entries	Type	Order number	Weight /unit [kg]
22...35	OEZXP_R	OEZXR134	1SCA022277R5610	0.45
31...44	OEZXP_R	OEZXR143	1SCA022277R5880	0.40
39...51	OEZXP_R	OEZXR150	1SCA022277R6000	0.35
46...59	OEZXP_R	OEZXR158	1SCA022277R6260	0.30

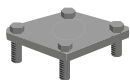
¹⁾ Includes knock-outs ø 10, 12.5, 20.5 and 25.5

²⁾ Includes knock-outs ø 10, 12.5, 20.5, 25.5 and 32.5

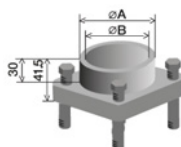
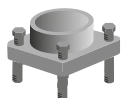
Ordering information

Enclosure accessories

OEZXR0_
S00915A



OEZXX1_
S00952A



OEZXP_ , KOT_
S01381A



Cable outlet accessories

Ring-flange covers with knock-out openings

Knock-out size \varnothing [mm]	Suitable for cable entries	Type	Order number	Weight /unit [kg]
20,5	OEZXP_R	OEZXR020	1SCA022656R8130	0.16
22,5	OEZXP_R	OEZXR023	1SCA022277R5290	0.16
25,5	OEZXP_R	OEZXR025	1SCA022656R8210	0.16
37	OEZXP_R	OEZXR037	1SCA022277R5450	0.16
40,5	OEZXP_R	OEZXR040	1SCA022656R8300	0.16

Plate extension for ring-flanges

Screws are included in the delivery. With the help of a plate extension the plastic shrink film can be mounted over the ring-flange and the cable.

Suitable for ring-flanges	Dimensions A [mm] B [mm]	Type	Order number	Weight /unit [kg]
OEZXR134 and OEZXR143	49 43	OEZXX143R	1SCA022350R3820	0.18
OEZXR150 and OEZXR158	70 64	OEZXX158R	1SCA022350R3910	0.18

Shields

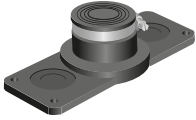
The shield can be used as a roof to protect the enclosure against dust, water etc.

Size width x depth [mm]	Type	Order number	Units /type [pcs]	Weight /unit [kg]
Steel sheet				
290 x 230	OEZXP120	1SCA022646R2730	1	1.2
440 x 280	OEZXP240	1SCA022646R3110	1	2.0
840 x 280	OEZXP280	1SCA022646R3200	1	3.8
840 x 380	OEZXP380	1SCA022647R3510	1	4.9
Painted zinc-plated steel sheet				
190x150	KOT62305	1SCA125902R1001	1	0.5
240X185	KOT62306	1SCA125903R1001	1	0.7
205x160	KOT62307	1SCA125905R1001	1	0.5
Stainless steel sheet				
190x150	KOT62282	1SCA125777R1001	1	0.5
240X185	KOT62283	1SCA125776R1001	1	0.7
205x160	KOT62284	1SCA125815R1001	1	0.5
Stainless steel sheet, acid proof				
440X282	KOT62280	1SCA125779R1001	1	1.8
840X382	KOT62281	1SCA125780R1001	1	4.4
840X282	KOT62293	1SCA125816R1001	1	3.4

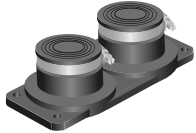
Ordering information

Enclosure accessories

KIG-221-1
S00997A



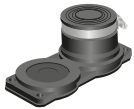
KIG-221-2
S00996A



OEZXC 0
S00846B



KIM-13-1
S01395A



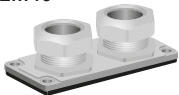
KIM-13-2
S01396A



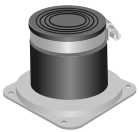
LBPSIU
S01775A



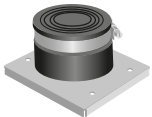
LBSI2ALM40
S01774A



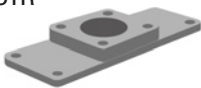
KIG-1
S00993A



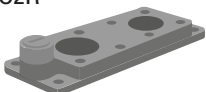
KIG-2
S00994A



OEZXC1R
S00846A



OEZXC2R
S00847A



Cable outlet accessories

Cable flanges for steel sheet enclosures, OTL16...90, OT90A...1600, OT36EA...75EA

Included mounting set for the flanges: screws, nuts and seal extruded into the flange covers.

Suitable cable size ϕ [mm]	For cable entries/ Compression glands	Type	Order number	Weight /unit [kg]
C-flanges, steel				
20...65		KIG-221-1	1SEH650052R6713	0.49
2x(20...65)		KIG-221-2	1SEH650052R6714	0.72
C-flange cover, steel				
-	OEZXP__C	OEZXC 0	1SCA022277R6420	0.25
B-flanges for cable entries, steel				
15...40		KIM13-1	1SEH655267R2050	0.20
2x(15...40)		KIM13-2	1SEH655267R2060	0.30
B-flanges, cover plate, metallic, IP65				
-	Fe, hot dip galvanized	LBFEU	1SCA022713R6040	0.16
-	Siluminium	LBSIU	1SCA022713R6120	0.20
B-flanges, metallic, compression glands, IP65				
8...14	2xM20	LBSI2ALM20	1SCA022713R6210	0.26
10...16	4xM25	LBSI4ALM25	1SCA022713R6390	0.26
16...21	3xM32	LBSI3ALM32	1SCA022713R6550	0.26
18...27	2xM40	LBSI2ALM40	1SCA022713R6630	0.26
16...21 (M32)/10...16 (M25)	2xM32+1xM25	LBSI2ALM32+1ALM25	1SCA022722R3520	0.26
10...16	3xM25+1xM25 (blank plug)	LBSI3ALM25+1TM25	1SCA022722R3610	0.22
Cable inlet, metallic				
15...45	See the picture below	KIG-1	1SEH650052R6711	0.22
20...65		KIG-2	1SEH650052R6712	0.40

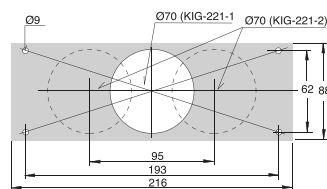
Ring-flange adapters for C-flange entries, Aluminium orange

Mounting set for the flange is included: screws, nuts and a seal which is extruded into the flanges. Ring-flanges have to be ordered separately.

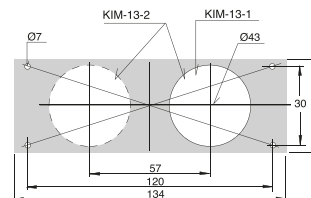
Remarks	Suitable for cable entries	Type	Order number	Weight /unit [kg]
One hole for ring-flanges and knock-outs ϕ 21, ϕ 23, ϕ 29	OEZXP__C	OEZXC1R	1SCA022281R3560	0.53
Two holes for ring-flanges and one with Pg 16 threads	OEZXP__C	OEZXC2R	1SCA022281R3720	0.55

Drilling guide

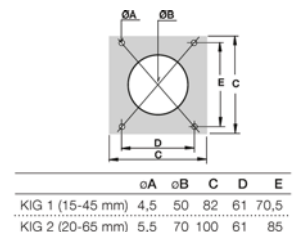
KIG-221-1 and KIG-221-2
S00998



KIM 13-1 and KIM 13-2
S01389A



KIG-1 and KIG-2
S00995A



Ordering information

Enclosure accessories

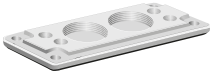
OEZXC11L
S01373A



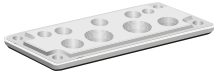
OEZXC12L
S01374A



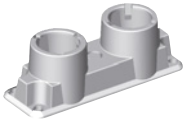
YMF-MB10861SET
S01824A



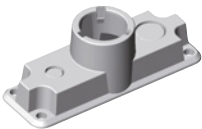
YMF-MB10862SET
S01823A



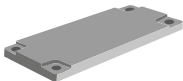
OEZXB12L
S01372A



OEZXB11L
S01371A



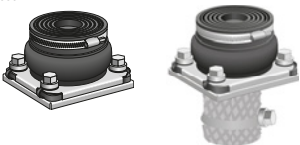
YMF-MB10215
S00509A



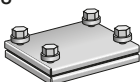
YMF-MK10440
S00523A



KOT61007, KOT62296
S03002



KOT61008
S03003



Cable outlet accessories

Cable flanges for plastic enclosures

Flange size	Outside diameter of cable [mm]	Knock-out control of cable [mm]	Type	Order number	Weight /unit [kg]
II/C-flanges					
For cable entries from bottom. Mounting set, flange and cable gasket included.					
II / C	ø 30...55	2 x ø 20,5	OEZXC11L	1SCA022560R5570	0.40
II / C	2 x ø 30...60	2 x ø 20,5 + 2 x ø 10	OEZXC12L	1SCA022560R5730	0.53
Includes sealing gasket and fixing accessories					
II / C	2xM50 + 4xM20		YMF-MB10861SET	1SCA022715R9090	0.14
II / C	2xM32+2xM25+3xM20+2xM16		YMF-MB10862SET	1SCA022715R9170	0.12

I/B-flanges

For cable entries from bottom. Mounting set, flange and cable gasket included (OEZXB).

I / B	2 x ø 15...30	ø 12,5	OEZXB12L	1SCA022560R5140	0.12
I / B	ø 15...30	ø 12,5 + ø 20,5	OEZXB11L	1SCA022560R4920	0.10
I / B	Cover plate ¹⁾		YMF-MB10215	1SCA022191R2170	0.05
I / B	Gasket for cover plate		YMF-MK10440	1SCA022660R7130	0.01

Cable flanges for stainless steel (acid proof) enclosures

Complete mounting set included.

Flange type	Outside diameter of cable [mm]	Type	Order number	Weight /unit [kg]
Membrane type cable flange	27...66	KOT61007	1SCA101607R1001	0.40
Membrane type cable flange for EMC-applications	27...57	KOT62296	1SCA125871R1001	0.40
Flange cover, to block remaining flange openings		KOT61008	1SCA101606R1001	0.20

¹⁾ Fixing screws not included

Ordering information

Enclosure accessories

ESKV20
S01779A



EMUG20
S01779A



EMSKV25/7
S01777A



EMMU25
S01780A



Cable outlet accessories

Thread	Cable DIA [mm]	Type	Order number	Weight /unit [kg]
--------	----------------------	------	--------------	-------------------------

Compression glands, plastic, IP68

Compression glands

M12	2...7	ESKV12	1SCA022715R5850	0.01
M16	4.5...10	ESKV16	1SCA022715R5930	0.01
M20	6...13	ESKV20	1SCA022715R6070	0.02
M25	9...17	ESKV25	1SCA022715R6150	0.02
M32	13...21	ESKV32	1SCA022715R6230	0.03
M40	14...28	ESKV40	1SCA022715R6310	0.06
M50	18...35	ESKV50	1SCA022715R6400	0.08
M63	34...48	ESKV63	1SCA022715R6580	0.10

Locking nuts

Needed if the enclosure holes are not provided with threads

M12		EMUG12	1SCA022715R8280	0.01
M16		EMUG16	1SCA022715R8360	0.01
M20		EMUG20	1SCA022715R8440	0.01
M25		EMUG25	1SCA022715R8520	0.01
M32		EMUG32	1SCA022715R8610	0.01
M40		EMUG40	1SCA022715R8790	0.01
M50		EMUG50	1SCA022715R8870	0.02
M63		EMUG63	1SCA022715R8950	0.02

Compression glands, metallic, IP68

Compression glands

M12	3...6	EMSKV12/5	1SCA022722R2710	0.02
M16	5...9	EMSKV16/5	1SCA022722R2800	0.03
M20	9...12	EMSKV20/6	1SCA022722R2980	0.04
M25	11...16	EMSKV25/7	1SCA022722R3010	0.06
M32	14...21	EMSKV32/8	1SCA022722R3100	0.08
M40	19...27	EMSKV40/8	1SCA022722R3280	0.08
M50	24...35	EMSKV50/9	1SCA022722R3360	0.10
M63	32...42	EMSKV63/10	1SCA022722R3440	0.12

Locking nuts

Needed if the enclosure holes are not provided with threads

M12		EMMU12	1SCA022722R1910	0.01
M16		EMMU16	1SCA022722R2040	0.01
M20		EMMU20	1SCA022722R2120	0.02
M25		EMMU25	1SCA022722R2210	0.02
M32		EMMU32	1SCA022722R2390	0.03
M40		EMMU40	1SCA022722R2470	0.04
M50		EMMU50	1SCA022722R2550	0.05
M63		EMMU63	1SCA022722R2630	0.06

Ordering information

Enclosure accessories

EPN_/KRM_ (reducer)
S01866A



EPN_ (expander)
S01865A



EADR_
S07123



YJTB3
S07150



Cable outlet accessories

Adapters for M-threads, metallic

Thread	Type	Order number	Weight /unit [kg]
Reducer			
M20 to M12	EPN720M20/M12	1SCA114806R1001	0.02
M20 to M16	EPN720M20/M16	1SCA114807R1001	0.02
M25 to M16	EPN720M25/M16	1SCA122555R1001	0.02
M25 to M20	EPN720M25/M20	1SCA109748R1001	0.02
M32 to M20	EPN720M32/M20	1SCA109749R1001	0.02
M40 to M25	EPN720M40/M25	1SCA114808R1001	0.02
Expander			
M32 to M40	EPN740M32/M40	1SCA114810R1001	0.02

Adapters for M-threads, plastic

Reducer			
M16 to M12	KRM16/12	1SCA022749R6090	0.01
M20 to M12	KRM20/12	1SCA022749R6170	0.01
M25 to M12	KRM25/12	1SCA022749R6980	0.01
M25 to M20	SORPNMPAM25/M20	1SCA022646R4510	0.01
M32 to M25	SORPNMPAM32/M25	1SCA022646R4600	0.01
M50 to M32	EPN550M50/M32	1SCA114803R1001	0.01
M50 to M40	EPN550M50/M40	1SCA104355R1001	0.01
Expander			
M16 to M20	EPN650M16/M20	1SCA103053R1001	0.01
M25 to M32	EPN650M25/M32	1SCA101159R1001	0.01
M32 to M40	EPN650M32/M40	1SCA101160R1001	0.01

Gasket

Gasket needed for maintaining IP65 rating.

Thread/ hole dia	Type	Order number	Weight /unit [kg]
M16/ø16.5	EADR16	1SCA022749R6410	0.01
M20/ø20.5	EADR20	1SCA022749R6500	0.01
M25/ø25.5	EADR25	1SCA022749R6680	0.01
M32/ø32.5	EADR32	1SCA101165R1001	0.01
M40/ø40.5	EADR40	1SCA116849R1001	0.01
M50/ø50.5	EADR50	1SCA104353R1001	0.01

Condensation water outlet IP44

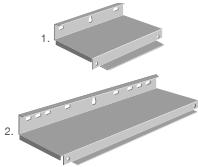
Hole diameter [mm]	Type	Order number	Weight /unit [kg]
10	YJTB3	1SCA122170R1001	0.025

Ordering information

Accessories for EMC safety switches

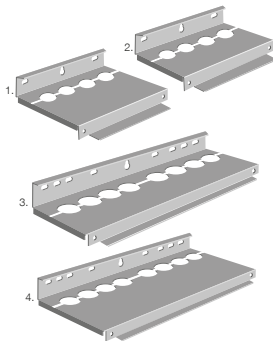
OEZXPE_0

1. S00512A, 2. S00806A



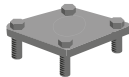
OEZXPE_R

1. S00810A, 2. S00811A, 3. S00812A, 4. S00813A



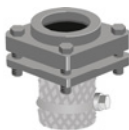
OEZXRE0_

S00515A



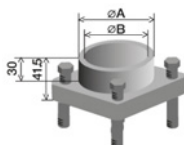
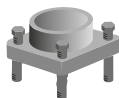
OEZXRE1_

S00514A



OEZXX1_

S00952A



Cable outlet accessories for EMC safety switches

Cable entries for steel sheet enclosed EMC safety switches

The cable entries are used for mounting the safety switches. Ring-flanges have to be ordered separately.

Size of suitable cable entry W x D [mm]	Number of holes for ring-flanges [pcs]	Type	Order number	Weight /unit [kg]
Blank entries, no flange entries				
250 x 180	-	OEZXPE120 ¹⁾	1SCA022398R9970	0.8
400 x 230	-	OEZXPE240	1SCA022399R0040	1.5
800 x 230	-	OEZXPE280	1SCA022399R0210	3.0
800 x 330	-	OEZXPE380	1SCA022399R0390	4.0
Cable entries with ring-flange entries, divided 2)				
400 x 230	4	OEZXPE24R	1SCA022399R0470	1.6
400 x 330	4	OEZXPE34R	1SCA022399R0550	2.1
800 x 230	8	OEZXPE28R	1SCA022399R0630	3.2
800 x 330	8	OEZXPE38R	1SCA022399R0710	4.2

Ring-flanges for steel sheet enclosed EMC safety switches

Knock-out size ϕ / [mm] / For cable diameter ϕ / [mm]	Suitable for cable entry	Type	Order number	Weight /unit [kg]
Ring-flange covers with knock-out openings				
Knock-out ϕ 20,5	OEZXPE_R	OEZXRE020	1SCA022656R8480	0.16
Knock-out ϕ 22,5	OEZXPE_R	OEZXRE023	1SCA022399R0800	0.16
Knock-out ϕ 25,5	OEZXPE_R	OEZXRE025	1SCA022656R8560	0.16
Knock-out ϕ 37	OEZXPE_R	OEZXRE037	1SCA022399R0980	0.16
Knock-out ϕ 40,5	OEZXPE_R	OEZXRE040	1SCA022656R8640	0.16
Ring-flanges for different cable diameters				
For cable dia 22...35	OEZXPE_R	OEZXRE134	1SCA022399R1010	0.45
For cable dia 31...44	OEZXPE_R	OEZXRE143	1SCA022399R1100	0.40
For cable dia 39...51	OEZXPE_R	OEZXRE150	1SCA022399R1280	0.35
For cable dia 46...59	OEZXPE_R	OEZXRE158	1SCA022399R1360	0.30

Plate extension for ring-flanges

Screws included in the delivery. With the help of plate extension the plastic shrink sock can be mounted over the ring-flange and the cable.

For ring-flanges	Dimensions		Type	Order number
	A	B		
OEZXRE134 and OEZXRE143	49	43	OEZXX143R	1SCA022350R3820
OEZXRE150 and OEZXRE158	70	64	OEZXX158R	1SCA022350R3910

¹⁾ Includes knock-outs ϕ 10, 12.5, 20.5, 25.5, 32.5 and 40.5

²⁾ Includes knock-outs ϕ 10, 12.5, 20.5, 25.5 and 32.5

Ordering information

Accessories for EMC safety switches

EMCM_
S01776A



Cable outlet accessories for EMC safety switches

Compression glands, EMC, metallic

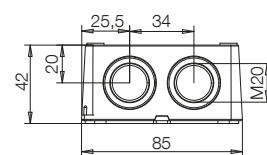
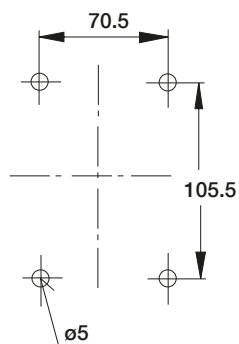
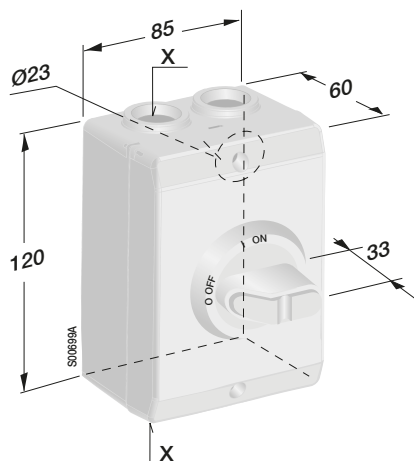
Includes the locking nuts. IP67

Thread	Cable DIA [mm]	Type	Order number
M16	5...8	EMCM16SET	1SCA022713R4000
M20	8...14	EMCM20SET	1SCA022713R3610
M25	10..16	EMCM25SET	1SCA022713R3700
M32	14...21	EMCM32SET	1SCA022713R3960
M40	18...27	EMCM40SET	1SCA022734R5040
M63	32...49	EMCM63SET	1SCA114253R1001
M75	49...60	EMCM75SET	1SCA114254R1001
M85	59...76	EMCM85SET	1SCA022727R1760
M32/M25	10...16	EMCM25/M32SET	1SCA022722R3790

Dimension drawings

Plastic enclosed safety switches

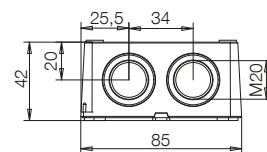
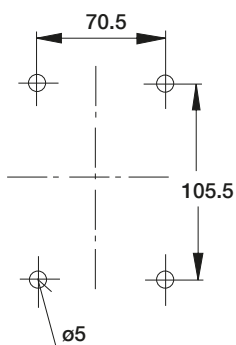
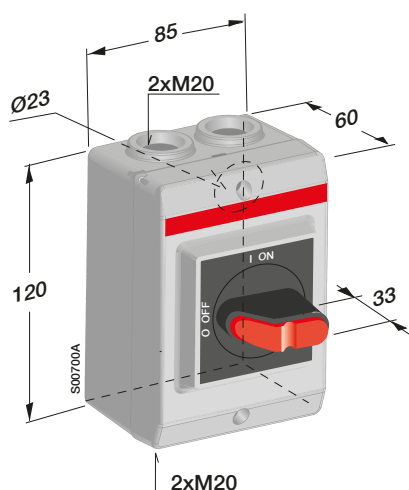
OTP16H_



OTP16H3M

Type	X
OTP16H3P	2 x PG16
OTP16H3M	2 x M20
OTP16H3M25	2 x M25

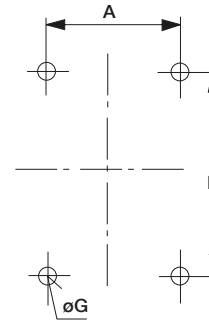
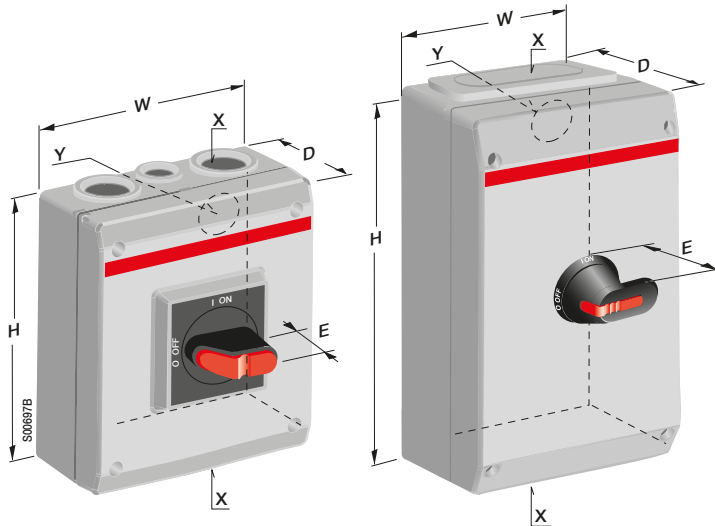
OTP16K3M1, OTP16K3M



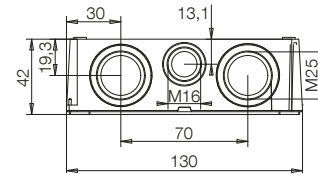
Dimension drawings

Plastic enclosed safety switches

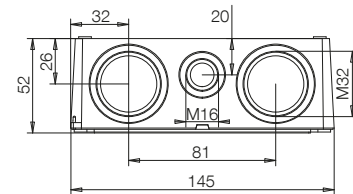
OTP/OTE16...90_



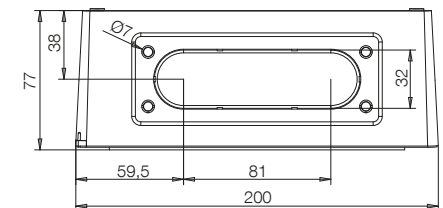
Type	W	H	D	E	B	A	ØG	X	Y
3- and 4-pole									
OTP16_3M_4M	130	150	60	33	115	136	5	2xM25+M16	2x (ø29+ø19)
OTE16_3M_4M	130	150	85	33	115	136	5	2xM25+M16	2x (ø29+ø19)
OTP/OTE25_3M_4M	145	200	90	33	129.5	182.5	5	2xM32+M16	2x (ø38+ø19)
OTP/OTE36_3M_4M	145	200	90	33	129.5	182.5	5	2xM32+M16	2x (ø38+ø19)
OTP63_3M	145	200	90	33	129.5	182.5	5	2xM32+M16	2x (ø38+ø19)
OTP/OTE75_3M_4M	200	400	140	33	176	376	6	2xM50+M16	2x (ø38+ø19)
OTP/OTE75_3B_4B	200	400	140	33	176	376	6	I-flange	-
OTP/OTE90_3M_4M	200	400	140	33	176	376	6	2xM50+M16	2x (ø38+ø19)
OTP/OTE90_3B_4B	200	400	140	33	176	376	6	I-flange	-
OTP/OTE90_3U_4U	200	400	140	33	176	376	6	-	-
6-pole									
OTP16_6M	130	150	85	33	115	136	5	2xM25+M16	2x (ø29+ø19)
OTP25_6M	145	200	90	45	129.5	182.5	5	2xM32+M16	2x (ø38+ø19)
OTE25_6B	200	400	140	45	176	376	6	I-flange	-
OTP36_6M	145	200	90	45	129.5	182.5	5	2xM32+M16	2x (ø38+ø19)
OTE36_6B	200	400	140	45	176	376	6	I-flange	-
OTP63_6B	200	400	140	45	176	376	6	I-flange	-
OTP/OTE75_6M	200	400	140	45	176	376	6	2xM50+M16	2x (ø38+ø19)
OTP75_6B	200	400	140	45	176	376	6	I-flange	-
OTP75_6U	200	400	140	45	176	376	6	-	-
OTP/OTE90_6M	200	400	140	45	176	376	6	2xM50+M16	2x (ø38+ø19)
OTP90_6B	200	400	140	45	176	376	6	I-flange	-
OTP90_6U	200	400	140	45	176	376	6	-	-



Type	X
OTP16_3M_4M	2xM25+M16
OTE16_3M_4M	2xM25+M16
OTP16_6M	2xM25+M16



Type	X
OTP/OTE25_3M_4M	2xM32+M16
OTP25_6M	2xM32+M16
OTP/OTE36_3M_4M	2xM32+M16
OTP36_6M	2xM32+M16
OTP63_3M	2xM32+M16

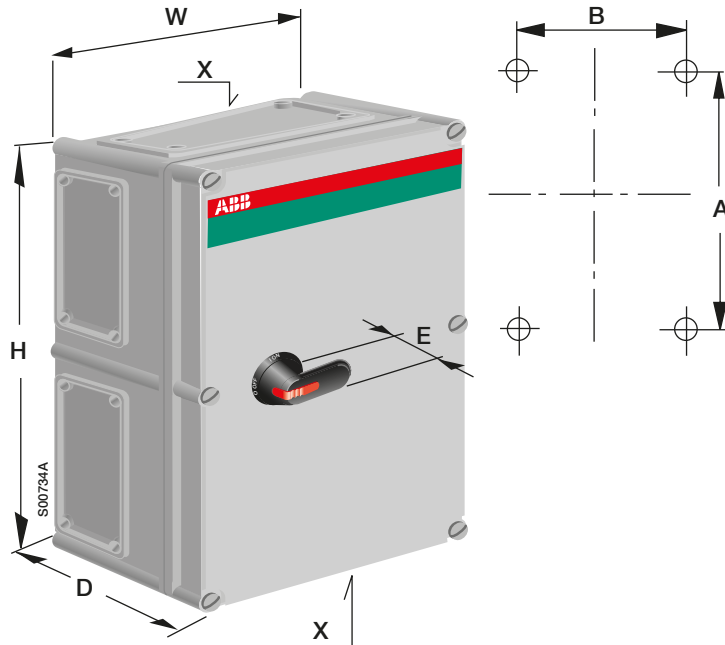


Type	X
OTP/OTE75_3B_4B	I-flange
OTP/OTE75_6B	I-flange
OTP/OTE90_3B_4B	I-flange
OTP90_6B	I-flange
OTE25_6B	I-flange
OTE36_6B	I-flange

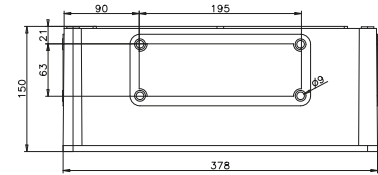
Dimension drawings

Plastic enclosed safety switches

OT90...1000_

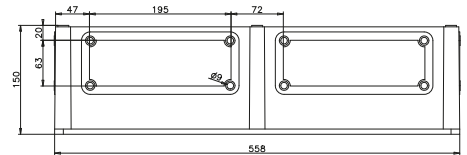


Fixing entry size in enclosure $\varnothing 7$



Type

OT 90AFCC6
OT 125EFCC6
OT 160EFCC6
OT 160EGCC3
OT 200KGCC3
OT 250KGCC3
OT 315KFCC3_4
OT 315KGCC3
OT 400DFCC3_4



Type

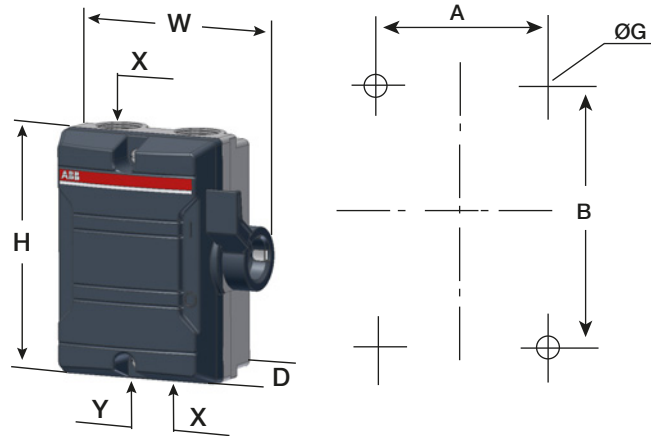
OT 200KFCC6
OT 250KFCC6
OT 315KFCC6
OT 400DFCC6
OT 400DGCC3
OT 630KFCC3
OT 630KGCC3

Type	Size				Cable entry	Fixing dimensions	
	H	W	D	E		X	A
Safety switch							
3-pole and 4-pole							
OT125EFCC3_4	380	280	180	45		535	255
OT160EFCC3_4	560	280	180	45		535	255
OT160EGCC3	560	380	180	45		535	355
OT200KFCC3_4	560	280	180	45		535	255
OT200KGCC3	560	380	180	45		535	355
OT250KFCC3_4	560	280	180	45		535	255
OT250KGCC3	560	380	180	45		535	355
OT315KFCC3_4	560	380	180	45		535	355
OT315KGCC3	560	380	180	45		535	355
OT400DFCC3_4	840	380	180	45		815	355
OT400DGCC3	760	560	250	45	2 x	735	535
OT630KFCC3	760	560	250	45	2 x	735	535
OT630KGCC3	760	560	250	45	2 x	735	535
OT1000BFCC3	760	560	250	45	2 x	735	535
6-pole							
OT90AFCC6	280	380	180	45		255	355
OT125EFCC6	560	380	180	45		535	355
OT160EFCC6	560	380	180	45		535	355
OT200KFCC6	760	560	250	45	2 x	735	535
OT250KFCC6	760	560	250	45	2 x	735	535
OT315KFCC6	760	560	250	45	2 x	735	535
OT400DFCC6	760	560	250	45	2 x	735	535

Dimension drawings

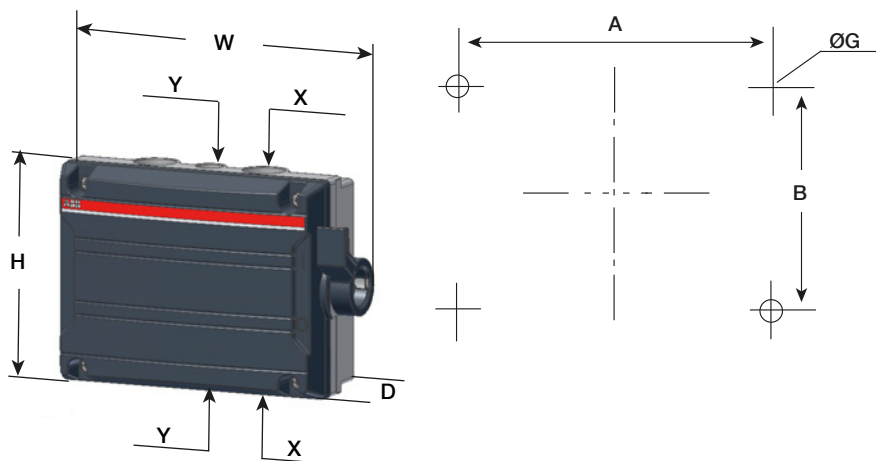
Plastic enclosed safety switches

Side-operated safety switches BWS_16...BWS_25



Type	Size			Cable entry		Fixing dimensions		
	W	H	D	X	Y	A	B	G
3-pole, Plastic enclosed side-operated safety switches								
BWS316_	111	130	60	2xM25	-	64	90	5
BWS325_	138	168	68	2xM32	1xM16	90	127	5
4-pole, Plastic enclosed side-operated safety switches								
BWS416_	111	130	60	2xM25	-	64	90	5
BWS425_	138	168	68	2xM32	1xM16	90	127	5

BWS616...BWS625

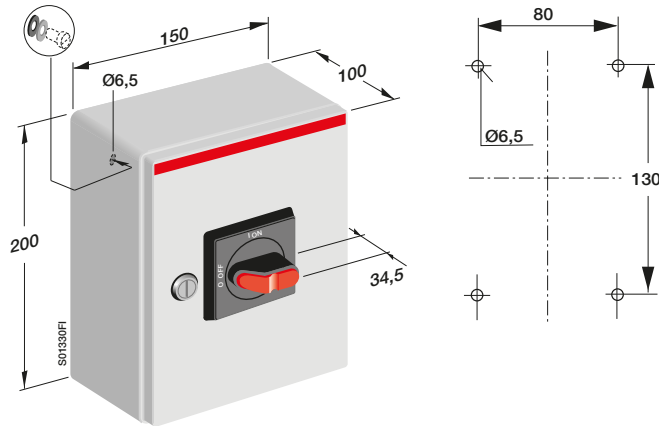


Type	Size			Cable entry		Fixing dimensions		
	W	H	D	X	Y	A	B	G
6-pole, Plastic enclosed side-operated safety switches								
BWS616_	190	130	65	2xØ25	Ø16	124	90	5
BWS625_	190	130	65	2xØ25	Ø16	124	90	5

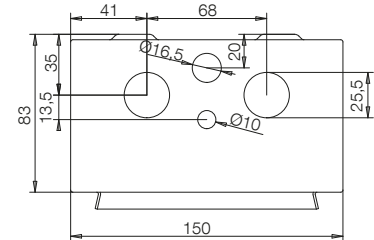
Dimension drawings

Steel and stainless steel sheet enclosed safety switches

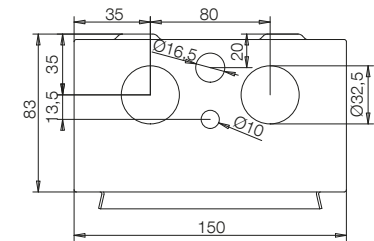
OTL, OTR16...63 with selector handle



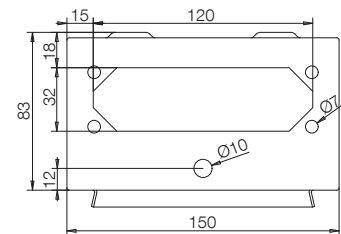
3-pole	OTL, OTR16...63
4-pole	OTL, OTR16...63
6-pole	OTL, OTR16
EMC	OT16...36ETMM3_E, OT16ETMM6_E



Type	Cable outlets
OTL/OTR16_3M, 4M, 6M	2xØ25.5+Ø16.5
OT16ETMM3_E, 6_E (EMC)	2xØ25.5+Ø16.5



Type	Cable outlets
OTL/OTR25...36_3M, 4M	2xØ32.5+Ø16.5
OT25...36ETMM3_E, 6_E (EMC)	2xØ32.5+Ø16.5

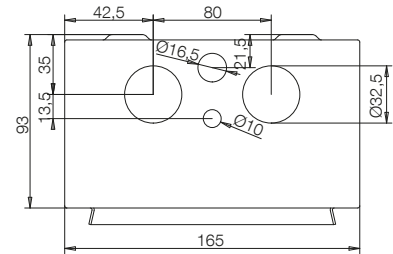
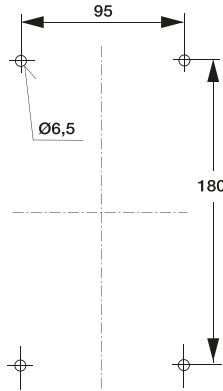
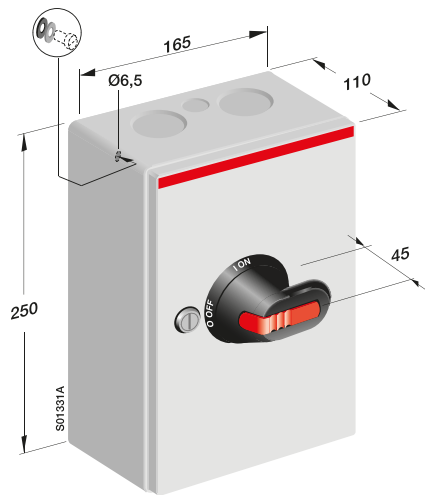


Type	Cable outlets
OTL/OTR16...63_3B, 4B	B-flange
OTL/OTR16_6B	B-flange

Dimension drawings

Steel and stainless steel sheet enclosed safety switches

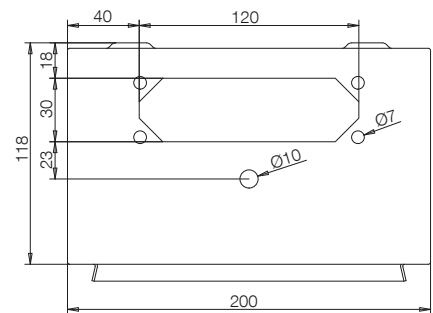
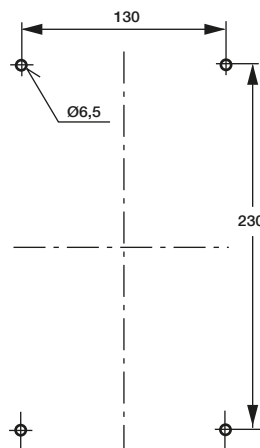
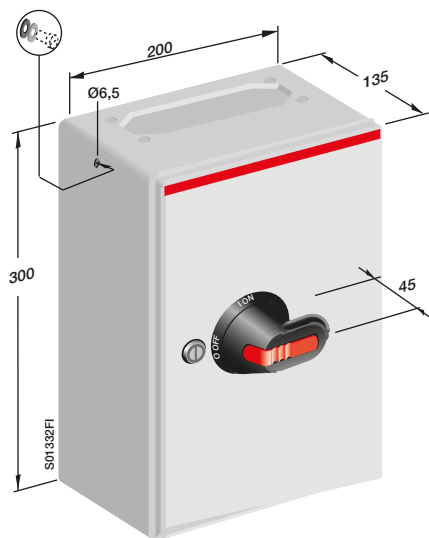
OTL, OTR25...63 pistol handle



Type	Cable outlets
OTL/OTR63_3M, 4M	2xØ32.5+Ø16.5
OTL/OTR25...36_6M	2xØ32.5+Ø16.5
OT63ETMM3_E (EMC)	2xØ32.5+Ø16.5

3-pole	OTL, OTR63
4-pole	OTL, OTR63
6-pole	OTL, OTR25...36
EMC	OT63ETMM3_E, OT25...36ETMM6_E

OTL, OTR75...90 pistol handle



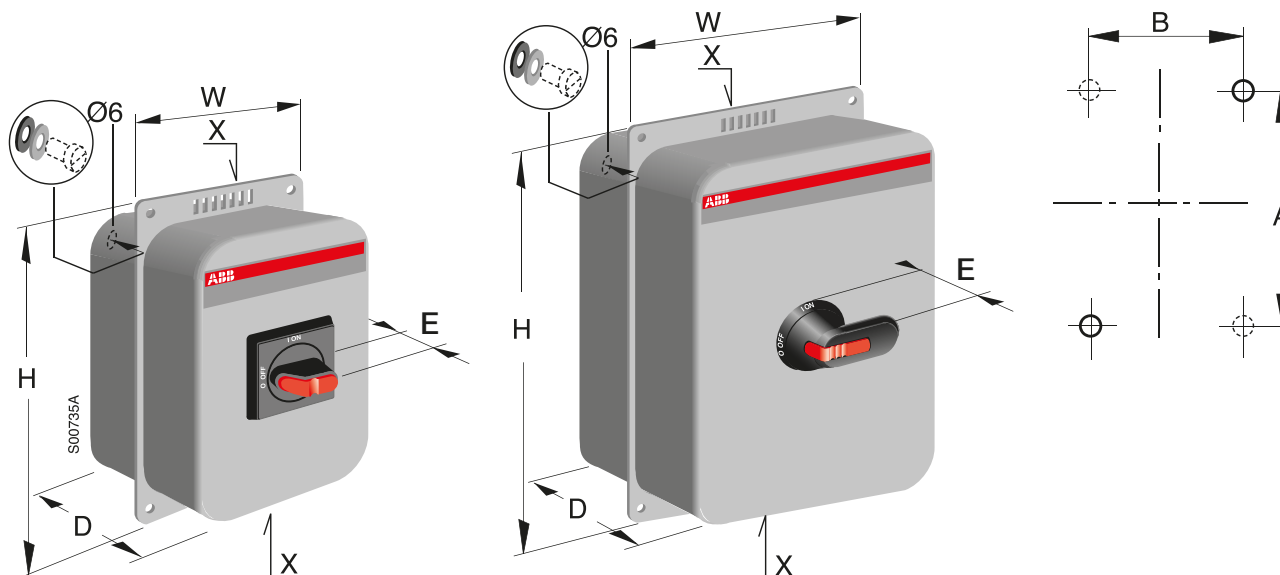
Type	Cable outlets
OTL/OTR75...90_3B, 4B, 6B	B-flange
OTL/OTR25...36_6B	B-flange

3-pole	OTL, OTR75...90
4-pole	OTL, OTR75...90
6-pole	OTL, OTR25...90

Dimension drawings

Steel sheet enclosed safety switches

OT16...90_



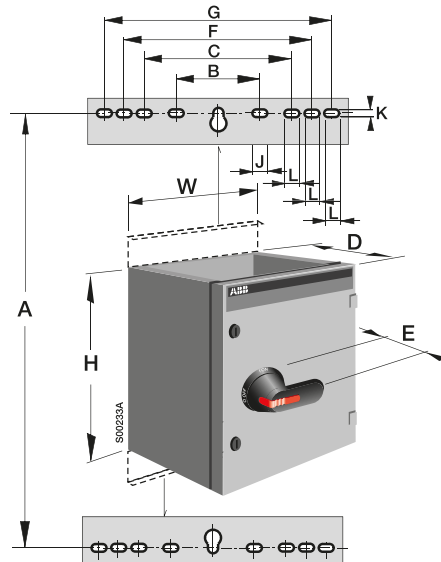
Fixing entry size in enclosure $\phi 6$

Type	H	W	D	E	A	Size	Cable/entry	X
3-pole								
OT16E_MM3	240	162	110	34.5	144	92	2x $\phi 25+\phi 16$	
OT16ELMM3_1	240	162	110	34.5	144	92	2x $\phi 25+\phi 16$	
OT25E_MM3	240	162	110	34.5	144	92	2x $\phi 32+\phi 16$	
OT36E_MM3	240	162	110	34.5	144	92	2x $\phi 32+\phi 16$	
OT63E_MM3	350	233	140	34.5	250	160	2x $\phi 32+\phi 16$	
OT75ELBB3_	350	233	140	34.5	250	160	B - flange	
OT90ELBB3_	350	233	140	34.5	250	160	B - flange	
4-pole								
OT16E_MM4	240	162	110	34.5	144	92	2x $\phi 25+\phi 16$	
OT25E_MM4	240	162	110	34.5	144	92	2x $\phi 32+\phi 16$	
OT36E_MM4	240	162	110	34.5	144	92	2x $\phi 32+\phi 16$	
OT63E_MM4	350	233	140	34.5	250	160	2x $\phi 32+\phi 16$	
OT75ELBB4_	350	233	140	34.5	250	160	B - flange	
OT90ELBB4_	350	233	140	34.5	250	160	B - flange	
6-pole								
OT16ELMM6	240	162	110	34.5	144	92	2x $\phi 25+\phi 16$	
OT25ELMM6	350	233	140	45	250	160	2x $\phi 32+\phi 16$	
OT36ELMM6	350	233	140	45	250	160	2x $\phi 32+\phi 16$	
OT63ELMM6T	350	233	140	45	250	160	2x $\phi 32+\phi 16$	
OT75ELBB6_	350	233	140	45	250	160	B - flange	

Dimension drawings

Steel sheet enclosed safety switches

OT16...1250_



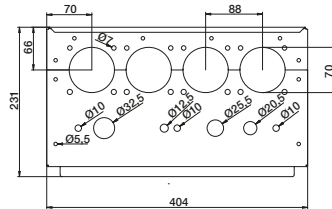
Type	Size				Fixing dimensions					Fixing hole		
	H	W	D	E	A	B	C	F	G	J	K	L
Steel sheet enclosed												
3- and 4-pole cable entries from top and bottom												
OT90A_3_4_Z	400	250	180	45	445	162					27	11
OT125E_3_4_Z	400	250	180	45	445	162				27	11	
OT160E_3_4_Z	600	400	230	45	645	303				35	11	
OT200K_3_4_Z	600	400	230	45	645	303				35	11	
OT250K_3_4_Z	600	400	230	45	645	303				35	11	
OT315K_3_4_Z	600	400	230	45	645	303				35	11	
OT400D_3_4_Z	800	400	230	45	845	303				35	11	
OT630K_3_4_Z	1000	400	230	45	1045	303				35	11	
OT800E_3_4_Z	1000	400	230	45	1045	303				35	11	
OT1000B_3	1200	800	330	45	1245	303	512	612	712	35	11	27
OT1000BBAA3	1200	400	330	45	1245	303				35	11	
OT1250E_3_	1200	800	330	45	1245	303	512	612	712	35	11	27
3-pole, cable entries from bottom / 4-pole 250-400A cable entries from bottom												
OT16E_3_	400	250	180	45	445	162				27	11	
OT25E_3_	400	250	180	45	445	162				27	11	
OT36E_3_	400	250	180	45	445	162				27	11	
OT75E_3_	400	250	180	45	445	162				27	11	
OT90A_3_	400	400	230	45	445	303				35	11	
OT125E_3_	400	400	230	45	445	303				35	11	
OT160E_3_	600	400	230	45	645	303				35	11	
OT200K_3_	600	400	230	45	645	303				35	11	
OT250K_3_	800	400	230	45	845	303				35	11	
OT250K_4_	600	400	230	45	645	303				35	11	
OT315K_3_	800	400	230	45	845	303				35	11	
OT315K_4_	600	400	230	45	645	303				35	11	
OT400D_3_	800	400	230	45	845	303				35	11	
OT400D_4_	600	400	230	45	645	303				35	11	
OT630K_3_	1000	800	230	45	1045	303	512	612	712	35	11	27
OT630KB_3_	1000	400	330	45	1045	303				35	11	
OT800E_3_	1000	800	230	45	1045	303	512	612	712	35	11	27
OT1000B_3_	1200	800	330	45	1245	303	512	612	712	35	11	27
OT1250E_3_	1200	800	330	45	1245	303	512	612	712	35	11	27
6-pole, cable entries from top and bottom												
OT90AL_6_	400	400	230	45	445	303				35	11	
OT125EL_6_	400	400	230	45	445	303				35	11	
OT160EL_6_	600	400	230	45	645	303				35	11	
OT200KL_6_	600	800	230	45	645	303	512	612	712	35	11	27
OT250KL_6_	800	800	230	45	845	303	512	612	712	35	11	27
OT315KL_6_	800	800	230	45	845	303	512	612	712	35	11	27
OT400DL_6_	800	800	230	45	845	303	512	612	712	35	11	27
OT630KL_6_	1000	800	230	45	1045	303	512	612	712	35	11	27
OT800EL_6_	1000	800	230	45	1045	303	512	612	712	35	11	27
OT1000BL_6_	1200	800	330	45	1245	303	512	612	712	35	11	27
6-pole, cable entries from bottom												
OT90AAU_6_	600	400	230	45	645	303				35	11	
OT125EAU_6_	600	400	230	45	645	303				35	11	
OT160EAU_6_	800	400	230	45	845	303				35	11	
OT200KAU_6_	600	800	230	45	645	303	512	612	712	35	11	27
OT250KAU_6_	800	800	230	45	645	303	512	612	712	35	11	27
OT315KAU_6_	800	800	230	45	845	303	512	612	712	35	11	27
OT400DAU_6_	800	800	230	45	845	303	512	612	712	35	11	27
OT630KAU_6_	1000	800	330	45	1045	303	512	612	712	35	11	27

Dimension drawings

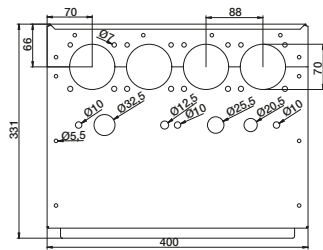
Steel sheet enclosed safety switches

OT90...1250_, cable entries

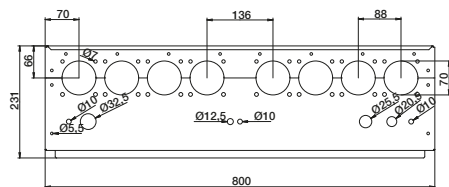
OEZXP24R



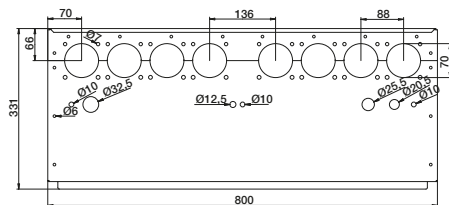
OEZXP34R



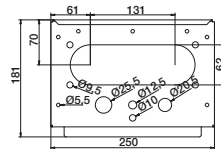
OEZXP28R



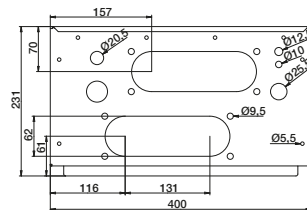
OEZXP38R



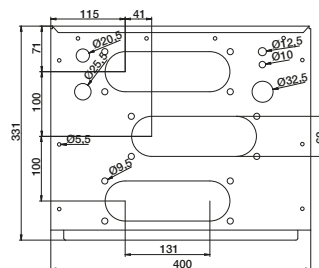
OEZXP120C



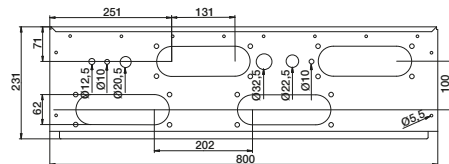
OEZXP240C



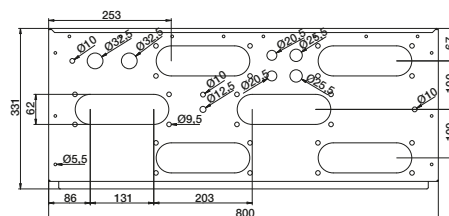
OEZXP340C



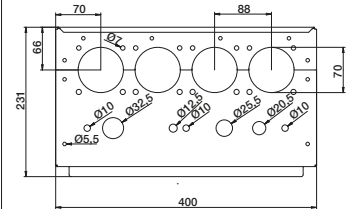
OEZXP280C



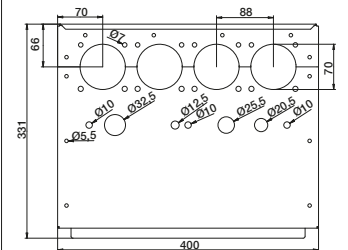
OEZXP380C



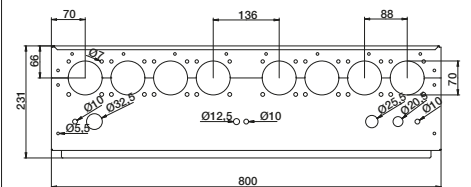
OEZXP24R (EMC)



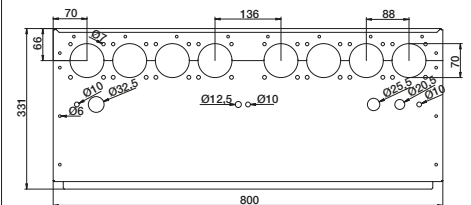
OEZXP34R (EMC)



OEZXP28R (EMC)



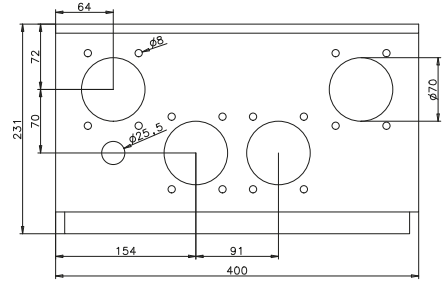
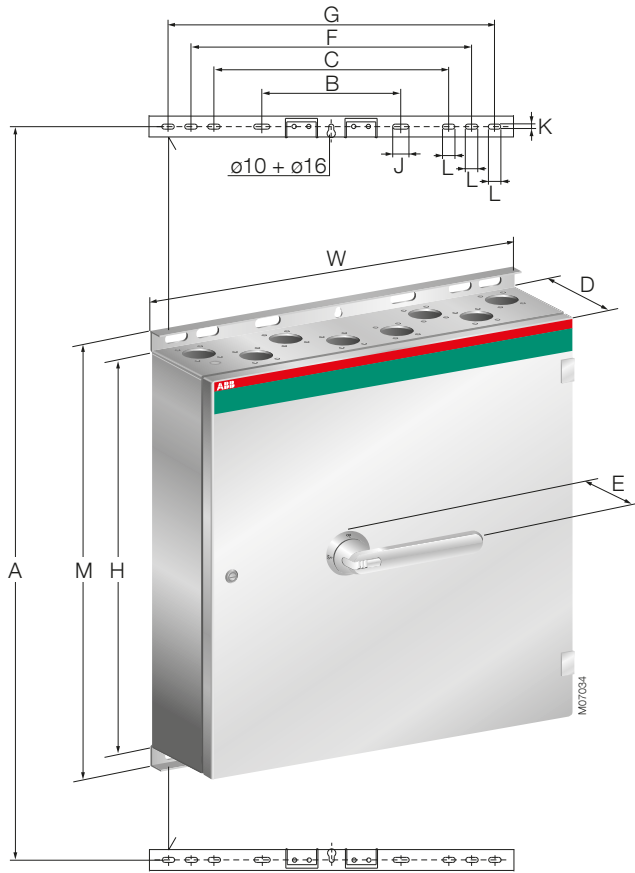
OEZXP38R (EMC)



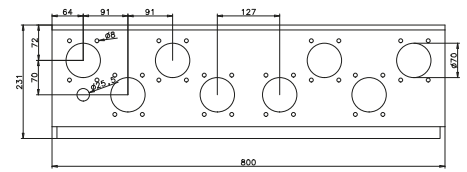
Dimension drawings

Stainless steel sheet enclosed safety switches

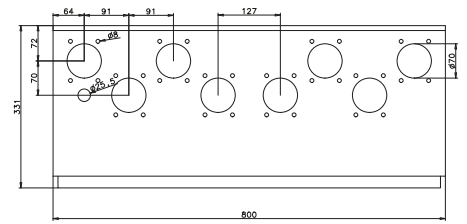
OT200...1250



Type	Cable entry size
OT160EV...800ERRR3TZ	400x230
OT160EV...400ESUR3TZ	400x230



Type	Cable entry size
OT160EV...400ERRR6TZ	800x230
OT160EV...400ESUR6TZ	800x230



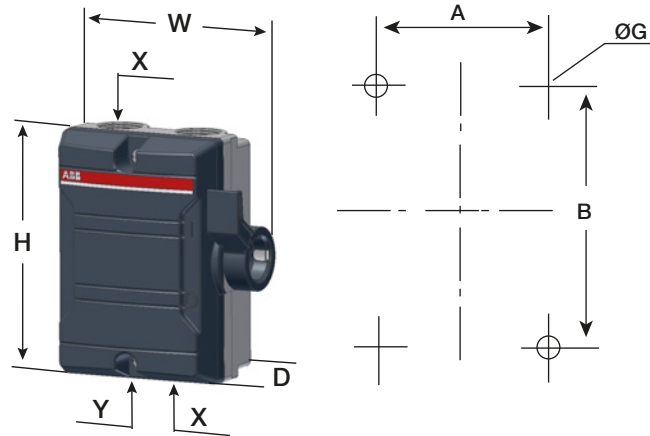
Type	Cable entry size
OT1000...1250ERRR3TZ	800x330
OT630...1250ESUR3TZ	800x330
OT630ESUR6TZ	800x330
OT630...800ERRRGTZ	800x330
OT630...800ERRRGTZ	800x330

Type	Size					Fixing dimensions					Fixing hole		
	H	W	D	E	M	A	B	C	F	G	J	K	L
3-pole cable entries from top and bottom													
OT160EVRRR3TZ	600	400	230	51	695	645	303				35	11	
OT200ERRR3TZ	600	400	230	51	695	645	303				35	11	
OT250ERRR3TZ	600	400	230	51	695	645	303				35	11	
OT315ERRR3TZ	600	400	230	51	695	645	303				35	11	
OT400ERRR3TZ	800	400	230	51	895	845	303				35	11	
OT630ERRR3TZ	1000	400	230	51	1095	1045	303				35	11	
OT800ERRR3TZ	1000	400	230	51	1095	1045	303				35	11	
OT1000ERRR3TZ	1200	800	330	51	1295	1245	303	512	612	712	35	11	27
OT1250ERRR3TZ	1200	800	330	51	1295	1245	303	512	612	712	35	11	27
3-pole, cable entries from bottom													
OT160EVSUR3TZ	600	400	230	51	695	645	303				35	11	
OT200ESUR3TZ	600	400	230	51	695	645	303				35	11	
OT250ESUR3TZ	600	400	230	51	695	645	303				35	11	
OT315ESUR3TZ	600	400	230	51	695	645	303				35	11	
OT400ESUR3TZ	800	400	230	51	895	845	303				35	11	
OT630ESUR3TZ	1000	400	230	51	1095	1045	303	512	612	712	35	11	27
OT800ESUR3TZ	1000	400	230	51	1095	1045	303	512	612	712	35	11	27
OT1000ESUR3TZ	1200	800	330	51	1295	1245	303	512	612	712	35	11	27
OT1250ESUR3TZ	1200	800	330	51	1295	1245	303	512	612	712	35	11	27
6-pole, cable entries from top and bottom													
OT160EVRRR6TZ	800	800	230	51	895	845	303	512	612	712	35	11	27
OT200ERRR6TZ	800	800	230	51	895	845	303	512	612	712	35	11	27
OT250ERRR6TZ	800	800	230	51	895	845	303	512	612	712	35	11	27
OT315ERRR6TZ	800	800	230	51	895	845	303	512	612	712	35	11	27
OT400ERRR6TZ	800	800	230	51	895	845	303	512	612	712	35	11	27
OT630ERRR6TZ	1000	800	330	51	1095	1045	303	512	612	712	35	11	27
OT800ERRR6TZ	1000	800	330	51	1095	1045	303	512	612	712	35	11	27
6-pole, cable entries from bottom													
OT160EVSUR6TZ	800	800	230	51	895	845	303	512	612	712	35	11	27
OT200ESUR6TZ	800	800	230	51	895	845	303	512	612	712	35	11	27
OT250ESUR6TZ	800	800	230	51	895	845	303	512	612	712	35	11	27
OT315ESUR6TZ	800	800	230	51	895	845	303	512	612	712	35	11	27
OT400ESUR6TZ	800	800	230	51	895	845	303	512	612	712	35	11	27
OT630ESUR6TZ	1000	800	330	51	1095	1045	303	512	612	712	35	11	27

Dimension drawings

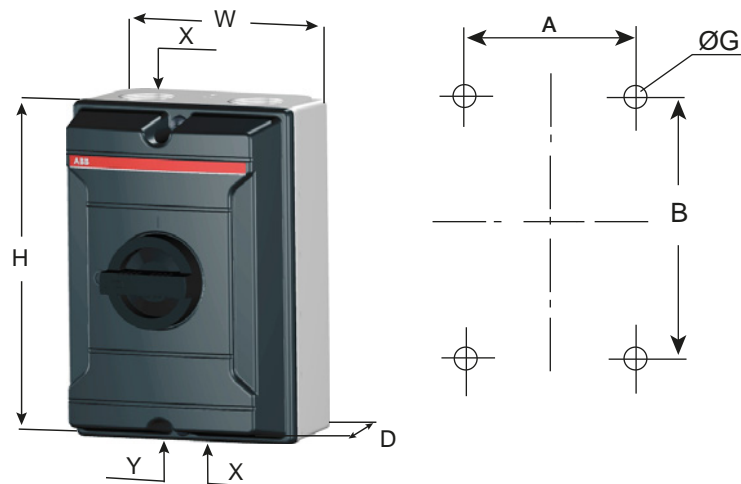
Aluminum enclosed safety switches

Side-operated safety switches LBAS_16...LBAS_25



Type	Size		Cable entry	Fixing dimensions				
	W	H		D	X	Y	A	B
3-pole, Aluminum enclosed side-operated safety switches								
LBAS316_	111	130	60	2xM25	-	64	90	5
LBAS325_	138	168	68	2xM32	1xM16	90	127	5
4-pole, Aluminum enclosed side-operated safety switches								
LBAS416_	111	130	60	2xM25	-	64	90	5
LBAS425_	138	168	68	2xM32	1xM16	90	127	5

Front-operated safety switches LBAS_45...LBAS_90

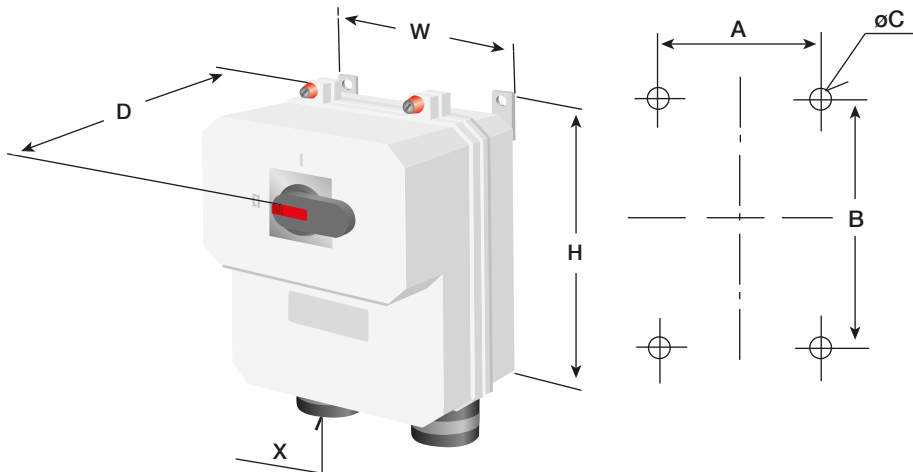


Type	Size		Cable entry	Fixing dimensions				
	W	H		D	X	Y	A	B
Aluminum enclosed front-operated safety switches								
LBAS_45..._90	160	230	145	2xM40	1xM16	124	190	5.3

Dimension drawings

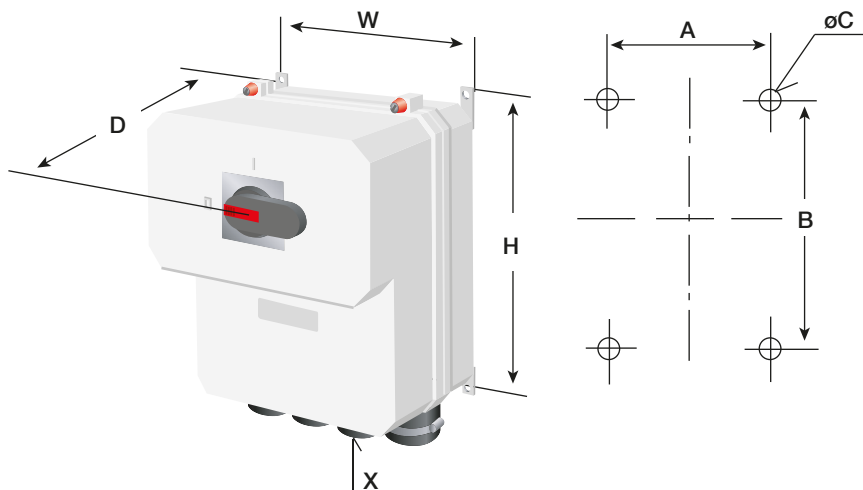
Aluminum enclosed safety switches

LBAS125...LBAS160



Type	Size			Cable entry	Fixing dimensions		
	H	W	D		A	B	C
				X	min/max	min/max	
3-pole, Aluminum enclosed front-operated safety switches							
LBAS125/160	405	400	234	2xØ18-48	340/414	331/405	8

LBAS200...LBAS630



Type	Size			Cable entry	Fixing dimensions		
	H	W	D		A	B	C
				X	min/max	min/max	
3-pole, Aluminum enclosed front-operated safety switches							
LBAS200/250	555	465	322	4xØ30-68	395/490	485/580	10
LBAS400/630	655	565	322	4xØ30-68	495/590	585/680	10

Index

Type	Order number	Description	Page	Type	Order number	Description	Page
BWS316 F TPN	2CMA142440R1000	Plastic enclosed safety switch	21	EPN720M25/M16	1SCA122555R1001	Adapters for M-thread	86
BWS316 TPN	2CMA142417R1000	Plastic enclosed safety switch	21	EPN720M25/M20	1SCA109748R1001	Adapters for M-thread	86
BWS316 Y TPN	2CMA142423R1000	Plastic enclosed safety switch	21	EPN720M32/M20	1SCA109749R1001	Adapters for M-thread	86
BWS325 TPN	2CMA142420R1000	Plastic enclosed safety switch	21	EPN720M40/M25	1SCA114808R1001	Adapters for M-thread	86
BWS325 Y TPN	2CMA142426R1000	Plastic enclosed safety switch	21	EPN740M32/M40	1SCA114810R1001	Adapters for M-thread	86
BWS416 TPSN	2CMA142418R1000	Plastic enclosed safety switch	21	ESKV12	1SCA022715R5850	Compression gland	85
BWS416 Y TPSN	2CMA142424R1000	Plastic enclosed safety switch	21	ESKV16	1SCA022715R5930	Compression gland	85
BWS425 TPSN	2CMA142421R1000	Plastic enclosed safety switch	21	ESKV20	1SCA022715R6070	Compression gland	85
BWS425 Y TPSN	2CMA142427R1000	Plastic enclosed safety switch	21	ESKV25	1SCA022715R6150	Compression gland	85
BWS616 TPN	2CMA142419R1000	Plastic enclosed safety switch	21	ESKV32	1SCA022715R6230	Compression gland	85
BWS616 Y TPN	2CMA142425R1000	Plastic enclosed safety switch	21	ESKV40	1SCA022715R6310	Compression gland	85
BWS625 TPN	2CMA142422R1000	Plastic enclosed safety switch	21	ESKV50	1SCA022715R6400	Compression gland	85
BWS625 Y TPN	2CMA142428R1000	Plastic enclosed safety switch	21	ESKV63	1SCA022715R6580	Compression gland	85
EADR16	1SCA022749R6410	Gasket	86	KIG-1	1SEH650052R6711	Cable inlet	83
EADR20	1SCA022749R6500	Gasket	86	KIG-2	1SEH650052R6712	Cable inlet	83
EADR25	1SCA022749R6680	Gasket	86	KIG-221-1	1SEH650052R6713	Cable flange	83
EADR32	1SCA101165R1001	Gasket	86	KIG-221-2	1SEH650052R6714	Cable flange	83
EADR40	1SCA116849R1001	Gasket	86	KIM13-1	1SEH655267R2050	Cable flange	83
EADR50	1SCA104353R1001	Gasket	86	KIM13-2	1SEH655267R2060	Cable flange	83
EMCM16SET	1SCA022713R4000	Compression gland	88	KOT61007	1SCA101607R1001	Cable flange	84
EMCM20SET	1SCA022713R3610	Compression gland	88	KOT61008	1SCA101606R1001	Cable flange	84
EMCM25/M32SET	1SCA022722R3790	Compression gland	88	KOT62280	1SCA125779R1001	Shield	82
EMCM25SET	1SCA022713R3700	Compression gland	88	KOT62281	1SCA125780R1001	Shield	82
EMCM32SET	1SCA022713R3960	Compression gland	88	KOT62282	1SCA125777R1001	Shield	82
EMCM40SET	1SCA022734R5040	Compression gland	88	KOT62283	1SCA125776R1001	Shield	82
EMCM63SET	1SCA114253R1001	Compression gland	88	KOT62284	1SCA125815R1001	Shield	82
EMCM75SET	1SCA114254R1001	Compression gland	88	KOT62293	1SCA125816R1001	Shield	82
EMCM85SET	1SCA022727R1760	Compression gland	88	KOT62296	1SCA125871R1001	Cable flange	84
EMMU12	1SCA022722R1910	Locking nut	85	KOT62305	1SCA125902R1001	Shield	82
EMMU16	1SCA022722R2040	Locking nut	85	KOT62306	1SCA125903R1001	Shield	82
EMMU20	1SCA022722R2120	Locking nut	85	KOT62307	1SCA125905R1001	Shield	82
EMMU25	1SCA022722R2210	Locking nut	85	KRM16/12	1SCA022749R6090	Adapters for M-thread	86
EMMU32	1SCA022722R2390	Locking nut	85	KRM20/12	1SCA022749R6170	Adapters for M-thread	86
EMMU40	1SCA022722R2470	Locking nut	85	KRM25/12	1SCA022749R6980	Adapters for M-thread	86
EMMU50	1SCA022722R2550	Locking nut	85	L6	2CMA144539R1000	Padlock unit	80
EMMU63	1SCA022722R2630	Locking nut	85	LBAS125/S	2CMA144495R1000	Aluminum enclosed safety switch	57
EMSKV12/5	1SCA022722R2710	Compression gland	85	LBAS125/SK	2CMA144496R1000	Aluminum enclosed safety switch	57
EMSKV16/5	1SCA022722R2800	Compression gland	85	LBAS160/S	2CMA144498R1000	Aluminum enclosed safety switch	57
EMSKV20/6	1SCA022722R2980	Compression gland	85	LBAS160/SK	2CMA144499R1000	Aluminum enclosed safety switch	57
EMSKV25/7	1SCA022722R3010	Compression gland	85	LBAS200/S	2CMA144500R1000	Aluminum enclosed safety switch	57
EMSKV32/8	1SCA022722R3100	Compression gland	85	LBAS250/S	2CMA144503R1000	Aluminum enclosed safety switch	57
EMSKV40/8	1SCA022722R3280	Compression gland	85	LBAS316 TPN	2CMA142430R1000	Aluminum enclosed safety switch	55
EMSKV50/9	1SCA022722R3360	Compression gland	85	LBAS316E/TPN	2CMA142449R1000	Aluminum enclosed EMC safety switch	72
EMSKV63/10	1SCA022722R3440	Compression gland	85	LBAS325 TPN	2CMA142432R1000	Aluminum enclosed safety switch	55
EMUG12	1SCA022715R8280	Locking nut	85	LBAS325E/TPN	2CMA142450R1000	Aluminum enclosed EMC safety switch	72
EMUG16	1SCA022715R8360	Locking nut	85	LBAS345 TPN	2CMA142627R1000	Aluminum enclosed safety switch	56
EMUG20	1SCA022715R8440	Locking nut	85	LBAS375 TPN	2CMA142628R1000	Aluminum enclosed safety switch	56
EMUG25	1SCA022715R8520	Locking nut	85	LBAS390 TPN	2CMA142629R1000	Aluminum enclosed safety switch	56
EMUG32	1SCA022715R8610	Locking nut	85	LBAS400/S	2CMA144505R1000	Aluminum enclosed safety switch	57
EMUG40	1SCA022715R8790	Locking nut	85	LBAS416 TPSN	2CMA142431R1000	Aluminum enclosed safety switch	55
EMUG50	1SCA022715R8870	Locking nut	85	LBAS425 TPSN	2CMA142433R1000	Aluminum enclosed safety switch	55
EMUG63	1SCA022715R8950	Locking nut	85	LBAS475 TPN	2CMA142631R1000	Aluminum enclosed safety switch	56
EPN550M50/M32	1SCA114803R1001	Adapters for M-thread	86	LBAS490 TPN	2CMA142632R1000	Aluminum enclosed safety switch	56
EPN550M50/M40	1SCA104355R1001	Adapters for M-thread	86	LBAS630/S	2CMA144506R1000	Aluminum enclosed safety switch	57
EPN650M16/M20	1SCA103053R1001	Adapters for M-thread	86	LBAS675 TPN	2CMA142633R1000	Aluminum enclosed safety switch	56
EPN650M25/M32	1SCA101159R1001	Adapters for M-thread	86	LBFEU	1SCA022713R6040	Cable flange	83
EPN650M32/M40	1SCA101160R1001	Adapters for M-thread	86	LBSI2ALM20	1SCA022713R6210	Cable flange	83
EPN720M20/M12	1SCA114806R1001	Adapters for M-thread	86	LBSI2ALM32+1ALM25	1SCA022722R3520	Cable flange	83
EPN720M20/M16	1SCA114807R1001	Adapters for M-thread	86	LBSI2ALM40	1SCA022713R6630	Cable flange	83

Type	Order number	Description	Page
LBSI3ALM25+1TM25	1SCA022722R3610	Cable flange	83
LBSI3ALM32	1SCA022713R6550	Cable flange	83
LBSI4ALM25	1SCA022713R6390	Cable flange	83
LBSIU	1SCA022713R6120	Cable flange	83
OA1G01	1SCA022353R4890	Auxiliary contact	77
OA1G01	2CMA144691R1000	Auxiliary contact	77
OA1G10	1SCA022353R4970	Auxiliary contact	77
OA1G10	2CMA144690R1000	Auxiliary contact	77
OA1G10	1SCA022353R4970	Auxiliary contact	77
OA2G11	1SCA022379R8100	Auxiliary contact	77
OA3G01	1SCA022456R7410	Auxiliary contact	77
OBEA01	2CMA144520R1000	Auxiliary contact	77
OBEA01	2CMA144520R1000	Auxiliary contact	77
OBEA01	1SCA022190R3260	Auxiliary contact	77
OBEA01AU	1SCA022185R3730	Auxiliary contact	77
OBEA10	2CMA144519R1000	Auxiliary contact	77
OBEA10	2CMA144519R1000	Auxiliary contact	77
OBEA10	1SCA022190R3000	Auxiliary contact	77
OBEA10AU	1SCA022185R3310	Auxiliary contact	77
OESAZX162	1SCA022193R0400	Neutral link	80
OESAZX164	1SCA022202R9520	Neutral link	80
OESAZX165	1SCA022202R9790	Neutral link	80
OEZNP1	1SCA022259R7410	Adapter for OBEA_	77
OEZXB11L	1SCA022560R4920	Cable flange	84
OEZXB12L	1SCA022560R5140	Cable flange	84
OEZXC 0	1SCA022277R6420	Cable flange	83
OEZXC11L	1SCA022560R5570	Cable flange	84
OEZXC12L	1SCA022560R5730	Cable flange	84
OEZXC1R	1SCA022281R3560	Ring-flange adapter for C-flange entry	83
OEZXC2R	1SCA022281R3720		83
OEZXP120	1SCA022277R2350	Cable entry	81
OEZXP120C	1SCA022338R5360	Cable entry	81
OEZXP240	1SCA022277R2780	Cable entry	81
OEZXP240C	1SCA022338R5520	Cable entry	81
OEZXP24R	1SCA022277R3160	Cable entry	81
OEZXP280	1SCA022277R3910	Cable entry	81
OEZXP280C	1SCA022338R5950	Cable entry	81
OEZXP28R	1SCA022277R4560	Cable entry	81
OEZXP340	1SCA022277R3320	Cable entry	81
OEZXP340C	1SCA022338R5790	Cable entry	81
OEZXP34R	1SCA022277R3750	Cable entry	81
OEZXP380	1SCA022277R4720	Cable entry	81
OEZXP380C	1SCA022338R6170	Cable entry	81
OEZXP38R	1SCA022277R5020	Cable entry	81
OEZXPPE120	1SCA022398R9970	Cable entry	87
OEZXPPE240	1SCA022399R0040	Cable entry	87
OEZXPPE24R	1SCA022399R0470	Cable entry	87
OEZXPPE280	1SCA022399R0210	Cable entry	87
OEZXPPE28R	1SCA022399R0630	Cable entry	87
OEZXPPE34R	1SCA022399R0550	Cable entry	87
OEZXPPE380	1SCA022399R0390	Cable entry	87
OEZXPPE38R	1SCA022399R0710	Cable entry	87
OEZXPKE120	1SCA022646R2730	Shield	82
OEZXPKE240	1SCA022646R3110	Shield	82
OEZXPKE280	1SCA022646R3200	Shield	82
OEZXPKE380	1SCA022647R3510	Shield	82
OEZXR020	1SCA022656R8130	Ring-flange cover	82
OEZXR023	1SCA022277R5290	Ring-flange cover	82
OEZXR025	1SCA022656R8210	Ring-flange cover	82
OEZXR037	1SCA022277R5450	Ring-flange cover	82
OEZXR040	1SCA022656R8300	Ring-flange cover	82
OEZXR134	1SCA022277R5610	Ring-flange	81
OEZXR143	1SCA022277R5880	Ring-flange	81
OEZXR150	1SCA022277R6000	Ring-flange	81
OEZXR158	1SCA022277R6260	Ring-flange	81
OEZXRRE020	1SCA022656R8480	Ring-flange	87
OEZXRRE023	1SCA022399R0800	Ring-flange	87
OEZXRRE025	1SCA022656R8560	Ring-flange	87
OEZXRRE037	1SCA022399R0980	Ring-flange	87

Type	Order number	Description	Page
OEZXRRE040	1SCA022656R8640	Ring-flange	87
OEZXRRE134	1SCA022399R1010	Ring-flange	87
OEZXRRE143	1SCA022399R1100	Ring-flange	87
OEZXRRE150	1SCA022399R1280	Ring-flange	87
OEZXRRE158	1SCA022399R1360	Ring-flange	87
OEZXX143R	1SCA022350R3820	Plate extension for ring-flange	87
OEZXX143R	1SCA022350R3820	Plate extension for ring-flange	82
OEZXX158R	1SCA022350R3910	Plate extension for ring-flange	87
OEZXX158R	1SCA022350R3910	Plate extension for ring-flange	87
OEZXX2	1SCA022281R5340	Cable entry gasket set	81
OEZXX6	1SCA022292R6330	Busbar	80
OHB125J12	1SCA022381R1560	Handle	75
OHB145J12	1SCA022381R2110	Handle	75
OHB175J12	1SCA022381R2450	Handle	75
OHB274J12	1SCA115920R1001	Handle	75
OHB45J6	1SCA022380R8770	Handle	75
OHB45J6	1SCA022380R8770	Handle	75
OHB65J6	1SCA022380R9660	Handle	75
OHB95J12	1SCA022381R0830	Handle	75
OHBS2AJ	1SCA022347R4030	Handle	75
OHBS2AJEH	1SCA108230R1001	Handle	76
OHM125L12	1SCA022739R1150	Handle	76
OHM175L12	1SCA022739R1230	Handle	76
OHM175L12	1SCA022739R1230	Handle	76
OHM65L6	1SCA022739R1070	Handle	76
OHM65L6	1SCA022739R1070	Handle	76
OHY125J12	1SCA022381R1720	Handle	75
OHY145J12	1SCA022381R2370	Handle	75
OHY175J12	1SCA022381R2700	Handle	75
OHY274J12	1SCA115919R1001	Handle	75
OHY45J6	1SCA022380R8930	Handle	75
OHY45J6	1SCA022380R8930	Handle	75
OHY65J6	1SCA022380R9820	Handle	75
OHY95J12	1SCA022381R1050	Handle	75
OHYS2AJ	1SCA022353R2840	Handle	75
OT 1000BUUA3A	1SCA022438R7350	Steel sheet enclosed EMC safety switch	71
OT 125EUUA3A	1SCA022438R8080	Steel sheet enclosed EMC safety switch	71
OT 160EUUA3A	1SCA022438R7940	Steel sheet enclosed EMC safety switch	71
OT 200KUUUA3A	1SCA022438R7860	Steel sheet enclosed EMC safety switch	71
OT 250KUUUA3A	1SCA022438R7780	Steel sheet enclosed EMC safety switch	71
OT 315KUUUA3A	1SCA022438R7600	Steel sheet enclosed EMC safety switch	71
OT 400DUUA3A	1SCA022438R7510	Steel sheet enclosed EMC safety switch	71
OT 630KUUUA3A	1SCA022438R7430	Steel sheet enclosed EMC safety switch	71
OT 800EUUA3A	1SCA022828R0370	Steel sheet enclosed EMC safety switch	71
OT 90ATRR6AZ	1SCA022742R4000	Steel sheet enclosed EMC safety switch	69
OT 90AUUA3A	1SCA022438R8160	Steel sheet enclosed EMC safety switch	71
OT1000BAUA3A	1SCA022297R5380	Steel sheet enclosed safety switch	45
OT1000BAUA3T	1SCA022277R1110	Steel sheet enclosed safety switch	33
OT1000BAUC3AZ	1SCA022513R0610	Steel sheet enclosed safety switch	37
OT1000BAUC3TZ	1SCA022340R4170	Steel sheet enclosed safety switch	24
OT1000BAUR3AZ	1SCA022513R1500	Steel sheet enclosed safety switch	36
OT1000BAUR3TZ	1SCA022340R3950	Steel sheet enclosed safety switch	23
OT1000BCCC3AZ	1SCA022512R6920	Steel sheet enclosed safety switch	37
OT1000BCCC3TZ	1SCA022340R3360	Steel sheet enclosed safety switch	24
OT1000BRRR3AZ	1SCA022543R2060	Steel sheet enclosed safety switch	36
OT1000BRRR3TZ	1SCA022340R3100	Steel sheet enclosed safety switch	23
OT1000BFCC3A	1SCA022297R5620	Plastic enclosed safety switch	18
OT1000BFCC3T	1SCA022277R1620	Plastic enclosed safety switch	15
OT1000BLAA3A	1SCA022297R9610	Steel sheet enclosed safety switch	45

Type	Order number	Description	Page	Type	Order number	Description	Page
OT1000BLAA3T	1SCA022277R0730	Steel sheet enclosed safety switch	33	OT125EFCC4T	1SCA022483R0050	Plastic enclosed safety switch	16
OT1000BLAA6A	1SCA022297R9530	Steel sheet enclosed safety switch	46	OT125EFCC6A	1SCA022297R8050	Plastic enclosed safety switch	20
OT1000BLAA6T	1SCA022277R0900	Steel sheet enclosed safety switch	34	OT125EFCC6T	1SCA022260R5110	Plastic enclosed safety switch	17
OT1000BLCC3AZ	1SCA022512R6840	Steel sheet enclosed safety switch	37	OT125ELAA3A	1SCA022297R9450	Steel sheet enclosed safety switch	45
OT1000BLCC3TZ	1SCA022340R3790	Steel sheet enclosed safety switch	24	OT125ELAA3T	1SCA022277R3240	Steel sheet enclosed safety switch	33
OT1000BLCC6AZ	1SCA022512R8710	Steel sheet enclosed safety switch	43	OT125ELAA6A	1SCA022297R8130	Steel sheet enclosed safety switch	46
OT1000BLCC6TZ	1SCA022338R9270	Steel sheet enclosed safety switch	31	OT125ELAA6T	1SCA022277R3410	Steel sheet enclosed safety switch	34
OT1000BLRR3AZ	1SCA022512R7810	Steel sheet enclosed safety switch	36	OT125ELCC3AZ	1SCA022512R6170	Steel sheet enclosed safety switch	37
OT1000BLRR3TZ	1SCA022340R3520	Steel sheet enclosed safety switch	23	OT125ELCC3TZ	1SCA022281R5260	Steel sheet enclosed safety switch	24
OT1000BLRR6AZ	1SCA022338R9010	Steel sheet enclosed safety switch	42	OT125ELCC4AZ	1SCA022542R7960	Steel sheet enclosed safety switch	40
OT1000BLRR6TZ	1SCA022338R9010	Steel sheet enclosed safety switch	30	OT125ELCC4TZ	1SCA022461R5160	Steel sheet enclosed safety switch	28
OT1000BTAA3A	1SCA022438R7270	Steel sheet enclosed EMC safety switch	71	OT125ELCC6AZ	1SCA022512R8030	Steel sheet enclosed safety switch	43
OT1000BTAA3T	1SCA022398R9890	Steel sheet enclosed EMC safety switch	66	OT125ELCC6TZ	1SCA022340R5140	Steel sheet enclosed safety switch	31
OT1000BTRR3AZ	1SCA102749R1001	Steel sheet enclosed EMC safety switch	68	OT125ELRR6AZ	1SCA022512R8970	Steel sheet enclosed safety switch	42
OT1000BTRR3TZ	1SCA022513R7960	Steel sheet enclosed EMC safety switch	63	OT125ELRR6TZ	1SCA022340R4920	Steel sheet enclosed safety switch	30
OT1000BTRR6AZ	1SCA022742R4850	Steel sheet enclosed EMC safety switch	69	OT125ETAA3A	1SCA022438R6540	Steel sheet enclosed EMC safety switch	71
OT1000BTRR6TZ	1SCA022545R7950	Steel sheet enclosed EMC safety switch	64	OT125ETAA3T	1SCA022398R9110	Steel sheet enclosed EMC safety switch	66
OT1000BUUA3T	1SCA022398R8900	Steel sheet enclosed EMC safety switch	66	OT125ETRR6AZ	1SCA022742R4180	Steel sheet enclosed EMC safety switch	69
OT1000BUUR3AZ	1SCA022725R3010	Steel sheet enclosed EMC safety switch	68	OT125ETRR6TZ	1SCA022545R7280	Steel sheet enclosed EMC safety switch	64
OT1000BUUR3TZ	1SCA022513R8850	Steel sheet enclosed EMC safety switch	63	OT125EUUR3AZ	1SCA022725R2710	Steel sheet enclosed EMC safety switch	68
OT1000ERRR3TZ	1SCA103329R1001	Stainless steel sheet (acid proof) enclosed safety switch	53	OT125EUUR3TZ	1SCA022513R8180	Steel sheet enclosed EMC safety switch	63
OT1000ESUR3TZ	1SCA104434R1001	Stainless steel sheet (acid proof) enclosed safety switch	53	OT160EAUJA3A	1SCA022298R0200	Steel sheet enclosed safety switch	45
OT125 EUUA3T	1SCA022398R8220	Steel sheet enclosed EMC safety switch	66	OT160EAUJA3T	1SCA022299R0690	Steel sheet enclosed safety switch	33
OT1250EAUC3AZ	1SCA103279R1001	Steel sheet enclosed safety switch	37	OT160EAUJA6A	1SCA022500R3500	Steel sheet enclosed safety switch	46
OT1250EAUC3TZ	1SCA103274R1001	Steel sheet enclosed safety switch	24	OT160EAUJA6T	1SCA022335R5020	Steel sheet enclosed safety switch	34
OT1250EAUR3AZ	1SCA103275R1001	Steel sheet enclosed safety switch	36	OT160EAUC3AZ	1SCA022512R9940	Steel sheet enclosed safety switch	37
OT1250EAUR3TZ	1SCA103273R1001	Steel sheet enclosed safety switch	23	OT160EAUC3TZ	1SCA022340R0510	Steel sheet enclosed safety switch	24
OT1250ELCC3AZ	1SCA102768R1001	Steel sheet enclosed safety switch	37	OT160EAUC6AZ	1SCA022542R6130	Steel sheet enclosed safety switch	43
OT1250ELCC3TZ	1SCA102769R1001	Steel sheet enclosed safety switch	24	OT160EAUC6TZ	1SCA022360R2300	Steel sheet enclosed safety switch	31
OT1250ELRR3AZ	1SCA102772R1001	Steel sheet enclosed safety switch	36	OT160EAUR3AZ	1SCA022513R0950	Steel sheet enclosed safety switch	36
OT1250ELRR3TZ	1SCA102773R1001	Steel sheet enclosed safety switch	23	OT160EAUR3TZ	1SCA022340R0340	Steel sheet enclosed safety switch	23
OT1250ERRR3TZ	1SCA103351R1001	Stainless steel sheet (acid proof) enclosed safety switch	53	OT160EAUR6AZ	1SCA022542R5410	Steel sheet enclosed safety switch	42
OT1250ESUR3TZ	1SCA104440R1001	Stainless steel sheet (acid proof) enclosed safety switch	53	OT160EAUR6TZ	1SCA022360R2210	Steel sheet enclosed safety switch	30
OT1250ETR3AZ	1SCA103282R1001	Steel sheet enclosed EMC safety switch	68	OT160EFCC3A	1SCA022278R6810	Plastic enclosed safety switch	18
OT1250ETR3TZ	1SCA103280R1001	Steel sheet enclosed EMC safety switch	63	OT160EFCC3T	1SCA022299R1910	Plastic enclosed safety switch	15
OT1250EUUR3AZ	1SCA103283R1001	Steel sheet enclosed EMC safety switch	68	OT160EFCC4A	1SCA022745R6380	Plastic enclosed safety switch	19
OT1250EUUR3TZ	1SCA103281R1001	Steel sheet enclosed EMC safety switch	63	OT160EFCC4T	1SCA022302R5660	Plastic enclosed safety switch	16
OT125EAUJA3A	1SCA022298R0030	Steel sheet enclosed safety switch	45	OT160EFCC6A	1SCA022297R8210	Plastic enclosed safety switch	20
OT125EAUJA3T	1SCA022277R3670	Steel sheet enclosed safety switch	33	OT160EFCC6T	1SCA022299R0260	Plastic enclosed safety switch	17
OT125EAUJA6A	1SCA022500R4140	Steel sheet enclosed safety switch	46	OT160EGCC3A	1SCA022297R5890	Plastic enclosed safety switch	18
OT125EAUJA6T	1SCA022325R0190	Steel sheet enclosed safety switch	34	OT160EGCC3T	1SCA022298R9680	Plastic enclosed safety switch	15
OT125EAUC3AZ	1SCA022512R9860	Steel sheet enclosed safety switch	37	OT160ELAA3A	1SCA022280R3250	Steel sheet enclosed safety switch	45
OT125EAUC3TZ	1SCA022339R2060	Steel sheet enclosed safety switch	24	OT160ELAA3T	1SCA022281R7550	Steel sheet enclosed safety switch	33
OT125EAUC6AZ	1SCA022542R6050	Steel sheet enclosed safety switch	43	OT160ELAA6A	1SCA022297R8300	Steel sheet enclosed safety switch	46
OT125EAUC6TZ	1SCA022338R9600	Steel sheet enclosed safety switch	31	OT160ELAA6T	1SCA022299R2800	Steel sheet enclosed safety switch	34
OT125EAUR3AZ	1SCA022513R0870	Steel sheet enclosed safety switch	36	OT160ELCC3AZ	1SCA022512R6250	Steel sheet enclosed safety switch	37
OT125EAUR3TZ	1SCA022281R6660	Steel sheet enclosed safety switch	23	OT160ELCC3TZ	1SCA022340R0180	Steel sheet enclosed safety switch	24
OT125EAUR6AZ	1SCA022542R5320	Steel sheet enclosed safety switch	42	OT160ELCC4AZ	1SCA022542R8000	Steel sheet enclosed safety switch	40
OT125EAUR6TZ	1SCA022325R0350	Steel sheet enclosed safety switch	30	OT160ELCC4TZ	1SCA022461R5320	Steel sheet enclosed safety switch	28
OT125EFCC3A	1SCA022280R1040	Plastic enclosed safety switch	18	OT160ELCC6AZ	1SCA022512R8110	Steel sheet enclosed safety switch	43
OT125EFCC3T	1SCA022260R4990	Plastic enclosed safety switch	15	OT160ELCC6TZ	1SCA022340R5570	Steel sheet enclosed safety switch	31
OT125EFCC4A	1SCA022745R6200	Plastic enclosed safety switch	19	OT160ELRR3AZ	1SCA022512R7220	Steel sheet enclosed safety switch	36
				OT160ELRR3TZ	1SCA022339R9910	Steel sheet enclosed safety switch	23
				OT160ELRR4AZ	1SCA022542R6810	Steel sheet enclosed safety switch	39
				OT160ELRR4TZ	1SCA022461R5240	Steel sheet enclosed safety switch	27
				OT160ELRR6AZ	1SCA022512R9010	Steel sheet enclosed safety switch	42
				OT160ELRR6TZ	1SCA022340R5310	Steel sheet enclosed safety switch	30
				OT160ETAA3A	1SCA022438R6620	Steel sheet enclosed EMC safety switch	71
				OT160ETAA3T	1SCA022398R9200	Steel sheet enclosed EMC safety switch	66
				OT160ETRR3AZ	1SCA022742R3370	Steel sheet enclosed EMC safety switch	68

Type	Order number	Description	Page
OT160ETRR3TZ	1SCA022513R7370	Steel sheet enclosed EMC safety switch	63
OT160ETRR6AZ	1SCA022742R4260	Steel sheet enclosed EMC safety switch	69
OT160ETRR6TZ	1SCA022545R7360	Steel sheet enclosed EMC safety switch	64
OT160EUUA3T	1SCA022398R8310	Steel sheet enclosed EMC safety switch	66
OT160EUUR3AZ	1SCA022732R2260	Steel sheet enclosed EMC safety switch	68
OT160EUUR3TZ	1SCA022513R8260	Steel sheet enclosed EMC safety switch	63
OT160EVRRR3TZ	1SCA125630R1001	Stainless steel sheet (acid proof) enclosed safety switch	53
OT160EVRRR6TZ	1SCA125725R1001	Stainless steel sheet (acid proof) enclosed safety switch	54
OT160EVSUR3TZ	1SCA125726R1001	Stainless steel sheet (acid proof) enclosed safety switch	53
OT160EVSUR6TZ	1SCA125650R1001	Stainless steel sheet (acid proof) enclosed safety switch	54
OT16EAUUA3TZ	1SCA022545R5150	Steel sheet enclosed safety switch	25
OT16ELMM3A	1SCA022745R8670	Steel sheet enclosed safety switch	44
OT16ELMM3A1	1SCA022745R8750	Steel sheet enclosed safety switch	44
OT16ELMM3T	1SCA022472R6070	Steel sheet enclosed safety switch	32
OT16ELMM3T1	1SCA022472R6150	Steel sheet enclosed safety switch	32
OT16ELMM3TZ	1SCA022786R0670	Steel sheet enclosed safety switch	22
OT16ELMM4T	1SCA022472R6910	Steel sheet enclosed safety switch	32
OT16ELMM6A	1SCA022745R8410	Steel sheet enclosed safety switch	44
OT16ELMM6T	1SCA022473R3100	Steel sheet enclosed safety switch	32
OT16ETMM3A	1SCA022714R3500	Steel sheet enclosed EMC safety switch	70
OT16ETMM3AE	1SCA022742R0780	Steel sheet enclosed EMC safety switch	67
OT16ETMM3T	1SCA022650R6610	Steel sheet enclosed EMC safety switch	65
OT16ETMM3TE	1SCA022734R5980	Steel sheet enclosed EMC safety switch	62
OT16ETMM4A	1SCA022714R4060	Steel sheet enclosed EMC safety switch	70
OT16ETMM4T	1SCA022650R6700	Steel sheet enclosed EMC safety switch	65
OT16ETMM6AE	1SCA022742R1160	Steel sheet enclosed EMC safety switch	67
OT16ETMM6TE	1SCA022739R3870	Steel sheet enclosed EMC safety switch	62
OT200ERRR3TZ	1SCA101252R1001	Stainless steel sheet (acid proof) enclosed safety switch	53
OT200ERRR6TZ	1SCA102316R1001	Stainless steel sheet (acid proof) enclosed safety switch	54
OT200ESUR3TZ	1SCA102325R1001	Stainless steel sheet (acid proof) enclosed safety switch	53
OT200ESUR6TZ	1SCA102319R1001	Stainless steel sheet (acid proof) enclosed safety switch	54
OT200KAUA3A	1SCA022298R0460	Steel sheet enclosed safety switch	45
OT200KAUA3T	1SCA022277R4210	Steel sheet enclosed safety switch	33
OT200KAUA6A	1SCA022500R3680	Steel sheet enclosed safety switch	46
OT200KAUA6T	1SCA022338R9430	Steel sheet enclosed safety switch	34
OT200KAUC3AZ	1SCA022513R0010	Steel sheet enclosed safety switch	37
OT200KAUC3TZ	1SCA022340R0930	Steel sheet enclosed safety switch	24
OT200KAUC6AZ	1SCA022542R6210	Steel sheet enclosed safety switch	43
OT200KAUC6TZ	1SCA022339R0280	Steel sheet enclosed safety switch	31
OT200KAUR3AZ	1SCA022513R1090	Steel sheet enclosed safety switch	36
OT200KAUR3TZ	1SCA022281R6820	Steel sheet enclosed safety switch	23
OT200KAUR6AZ	1SCA022542R5590	Steel sheet enclosed safety switch	42
OT200KAUR6TZ	1SCA022339R0010	Steel sheet enclosed safety switch	30
OT200KFCC3A	1SCA022278R1340	Plastic enclosed safety switch	18
OT200KFCC3T	1SCA022260R5370	Plastic enclosed safety switch	15
OT200KFCC4A	1SCA022745R6460	Plastic enclosed safety switch	19
OT200KFCC4T	1SCA022367R9430	Plastic enclosed safety switch	16
OT200KFCC6A	1SCA022297R8480	Plastic enclosed safety switch	20

Type	Order number	Description	Page
OT200KFCC6T	1SCA022260R5530	Plastic enclosed safety switch	17
OT200KGCC3A	1SCA022297R6010	Plastic enclosed safety switch	18
OT200KGCC3T	1SCA022276R8670	Plastic enclosed safety switch	15
OT200KLA3A	1SCA022280R3840	Steel sheet enclosed safety switch	45
OT200KLA3T	1SCA022277R3830	Steel sheet enclosed safety switch	33
OT200KLA6A	1SCA022297R8560	Steel sheet enclosed safety switch	46
OT200KLA6T	1SCA022277R4050	Steel sheet enclosed safety switch	34
OT200KLCC3AZ	1SCA022512R6330	Steel sheet enclosed safety switch	37
OT200KLCC3TZ	1SCA022281R5420	Steel sheet enclosed safety switch	24
OT200KLCC4AZ	1SCA022542R8260	Steel sheet enclosed safety switch	40
OT200KLCC4TZ	1SCA022461R5590	Steel sheet enclosed safety switch	28
OT200KLCC6AZ	1SCA022512R8200	Steel sheet enclosed safety switch	43
OT200KLCC6TZ	1SCA022338R7220	Steel sheet enclosed safety switch	31
OT200KLRR3AZ	1SCA022512R7310	Steel sheet enclosed safety switch	36
OT200KLRR3TZ	1SCA022340R0770	Steel sheet enclosed safety switch	23
OT200KLRR4AZ	1SCA022542R6990	Steel sheet enclosed safety switch	39
OT200KLRR4TZ	1SCA022461R5410	Steel sheet enclosed safety switch	27
OT200KLRR6AZ	1SCA022512R9190	Steel sheet enclosed safety switch	42
OT200KLRR6TZ	1SCA022340R5730	Steel sheet enclosed safety switch	30
OT200KTA3A	1SCA022438R6710	Steel sheet enclosed EMC safety switch	71
OT200KTA3T	1SCA022398R9380	Steel sheet enclosed EMC safety switch	66
OT200KTRR3AZ	1SCA022742R3450	Steel sheet enclosed EMC safety switch	68
OT200KTRR3TZ	1SCA022513R7450	Steel sheet enclosed EMC safety switch	63
OT200KTRR6AZ	1SCA022742R4340	Steel sheet enclosed EMC safety switch	69
OT200KTRR6TZ	1SCA022545R7440	Steel sheet enclosed EMC safety switch	64
OT200KUUUA3T	1SCA022398R8490	Steel sheet enclosed EMC safety switch	66
OT200KUUUR3AZ	1SCA022700R6340	Steel sheet enclosed EMC safety switch	68
OT200KUUUR3TZ	1SCA022513R8340	Steel sheet enclosed EMC safety switch	63
OT250ERRR3TZ	1SCA102364R1001	Stainless steel sheet (acid proof) enclosed safety switch	53
OT250ERRR6TZ	1SCA102365R1001	Stainless steel sheet (acid proof) enclosed safety switch	54
OT250ESUR3TZ	1SCA102320R1001	Stainless steel sheet (acid proof) enclosed safety switch	53
OT250ESUR6TZ	1SCA102370R1001	Stainless steel sheet (acid proof) enclosed safety switch	54
OT250KAUA3A	1SCA022298R0620	Steel sheet enclosed safety switch	45
OT250KAUA3T	1SCA022276R8750	Steel sheet enclosed safety switch	33
OT250KAUA6A	1SCA022500R3760	Steel sheet enclosed safety switch	46
OT250KAUA6T	1SCA022360R2480	Steel sheet enclosed safety switch	34
OT250KAUC3AZ	1SCA022513R0100	Steel sheet enclosed safety switch	37
OT250KAUC3TZ	1SCA022340R1310	Steel sheet enclosed safety switch	24
OT250KAUC6AZ	1SCA022542R6300	Steel sheet enclosed safety switch	43
OT250KAUC6TZ	1SCA022360R2640	Steel sheet enclosed safety switch	31
OT250KAUR3AZ	1SCA022513R1170	Steel sheet enclosed safety switch	36
OT250KAUR3TZ	1SCA022281R7040	Steel sheet enclosed safety switch	23
OT250KAUR6AZ	1SCA022542R5670	Steel sheet enclosed safety switch	42
OT250KAUR6TZ	1SCA022360R2560	Steel sheet enclosed safety switch	30
OT250KFCC3A	1SCA022278R1930	Plastic enclosed safety switch	18
OT250KFCC3T	1SCA022276R8830	Plastic enclosed safety switch	15
OT250KFCC4A	1SCA022745R6540	Plastic enclosed safety switch	19
OT250KFCC4T	1SCA022619R2250	Plastic enclosed safety switch	16
OT250KFCC6A	1SCA022297R8640	Plastic enclosed safety switch	20
OT250KFCC6T	1SCA022276R9480	Plastic enclosed safety switch	17
OT250KGCC3A	1SCA022297R6270	Plastic enclosed safety switch	18
OT250KGCC3T	1SCA022276R9640	Plastic enclosed safety switch	15
OT250KLA3A	1SCA022280R4490	Steel sheet enclosed safety switch	45
OT250KLA3T	1SCA022277R4480	Steel sheet enclosed safety switch	33
OT250KLA6A	1SCA022297R8720	Steel sheet enclosed safety switch	46
OT250KLA6T	1SCA022277R4640	Steel sheet enclosed safety switch	34
OT250KLCC3AZ	1SCA022512R6410	Steel sheet enclosed safety switch	37

Type	Order number	Description	Page	Type	Order number	Description	Page
OT250KLCC3TZ	1SCA022281R5690	Steel sheet enclosed safety switch	24	OT315KAUR3TZ	1SCA022281R7210	Steel sheet enclosed safety switch	23
OT250KLCC4AZ	1SCA022542R8340	Steel sheet enclosed safety switch	40	OT315KAUR6AZ	1SCA022542R5750	Steel sheet enclosed safety switch	42
OT250KLCC4TZ	1SCA022461R5750	Steel sheet enclosed safety switch	28	OT315KAUR6TZ	1SCA022360R2720	Steel sheet enclosed safety switch	30
OT250KLCC6AZ	1SCA022512R8380	Steel sheet enclosed safety switch	43	OT315KFCC3A	1SCA022278R2580	Plastic enclosed safety switch	18
OT250KLCC6TZ	1SCA022338R7650	Steel sheet enclosed safety switch	31	OT315KFCC3T	1SCA022276R9810	Plastic enclosed safety switch	15
OT250KLRR3AZ	1SCA022512R7490	Steel sheet enclosed safety switch	36	OT315KFCC4A	1SCA022745R6620	Plastic enclosed safety switch	19
OT250KLRR3TZ	1SCA022340R1150	Steel sheet enclosed safety switch	23	OT315KFCC4T	1SCA022367R9510	Plastic enclosed safety switch	16
OT250KLRR4AZ	1SCA022542R7020	Steel sheet enclosed safety switch	39	OT315KFCC6A	1SCA022292R7730	Plastic enclosed safety switch	20
OT250KLRR4TZ	1SCA022461R5670	Steel sheet enclosed safety switch	27	OT315KFCC6T	1SCA022277R0060	Plastic enclosed safety switch	17
OT250KLRR6AZ	1SCA022512R9270	Steel sheet enclosed safety switch	42	OT315KGGC3A	1SCA022298R8280	Plastic enclosed safety switch	18
OT250KLRR6TZ	1SCA022338R7490	Steel sheet enclosed safety switch	30	OT315KGGC3T	1SCA022277R02020	Plastic enclosed safety switch	15
OT250KTA3A	1SCA022438R6890	Steel sheet enclosed EMC safety switch	71	OT315KLAA3A	1SCA022280R5030	Steel sheet enclosed safety switch	45
OT250KTA3T	1SCA022398R9460	Steel sheet enclosed EMC safety switch	66	OT315KLAA3T	1SCA022276R8910	Steel sheet enclosed safety switch	33
OT250KTRR3AZ	1SCA022742R3530	Steel sheet enclosed EMC safety switch	68	OT315KLAA6A	1SCA022297R8990	Steel sheet enclosed safety switch	46
OT250KTRR3TZ	1SCA022513R7530	Steel sheet enclosed EMC safety switch	63	OT315KLA6T	1SCA022276R9130	Steel sheet enclosed safety switch	34
OT250KTRR6AZ	1SCA022742R4420	Steel sheet enclosed EMC safety switch	69	OT315KLCC3AZ	1SCA022512R6500	Steel sheet enclosed safety switch	37
OT250KTRR6TZ	1SCA022545R7520	Steel sheet enclosed EMC safety switch	64	OT315KLCC3TZ	1SCA022281R5850	Steel sheet enclosed safety switch	24
OT250KUUA3T	1SCA022398R8570	Steel sheet enclosed EMC safety switch	66	OT315KLCC4AZ	1SCA022542R8690	Steel sheet enclosed safety switch	40
OT250KUUR3AZ	1SCA022725R3190	Steel sheet enclosed EMC safety switch	68	OT315KLCC4TZ	1SCA022461R5910	Steel sheet enclosed safety switch	28
OT250KUUR3TZ	1SCA022513R8420	Steel sheet enclosed EMC safety switch	63	OT315KLCC6AZ	1SCA022512R8460	Steel sheet enclosed safety switch	43
OT25EUAU3TZ	1SCA022530R5690	Steel sheet enclosed safety switch	25	OT315KLCC6TZ	1SCA022338R8030	Steel sheet enclosed safety switch	31
OT25ELMM3A	1SCA022745R8830	Steel sheet enclosed safety switch	44	OT315KLRR3AZ	1SCA022512R7570	Steel sheet enclosed safety switch	36
OT25ELMM3T	1SCA022472R6230	Steel sheet enclosed safety switch	32	OT315KLRR3TZ	1SCA022340R1580	Steel sheet enclosed safety switch	23
OT25ELMM3TZ	1SCA022692R7040	Steel sheet enclosed safety switch	22	OT315KLRR4AZ	1SCA022542R7110	Steel sheet enclosed safety switch	39
OT25ELMM4T	1SCA022472R7040	Steel sheet enclosed safety switch	32	OT315KLRR4TZ	1SCA022461R5830	Steel sheet enclosed safety switch	27
OT25ELMM6A	1SCA022745R8590	Steel sheet enclosed safety switch	44	OT315KLRR6AZ	1SCA022512R9350	Steel sheet enclosed safety switch	42
OT25ELMM6T	1SCA022473R3280	Steel sheet enclosed safety switch	32	OT315KLRR6TZ	1SCA022338R7810	Steel sheet enclosed safety switch	30
OT25ELMM6TZ	1SCA022693R2980	Steel sheet enclosed safety switch	29	OT315KTA3A	1SCA022438R6970	Steel sheet enclosed EMC safety switch	71
OT25ETMM3A	1SCA022714R3680	Steel sheet enclosed EMC safety switch	70	OT315KTA3T	1SCA022398R9540	Steel sheet enclosed EMC safety switch	66
OT25ETMM3AE	1SCA022742R0860	Steel sheet enclosed EMC safety switch	67	OT315KTRR3AZ	1SCA022742R3610	Steel sheet enclosed EMC safety switch	68
OT25ETMM3T	1SCA022650R6960	Steel sheet enclosed EMC safety switch	65	OT315KTRR3TZ	1SCA022513R7610	Steel sheet enclosed EMC safety switch	63
OT25ETMM3TE	1SCA022734R6010	Steel sheet enclosed EMC safety switch	62	OT315KTRR6AZ	1SCA022742R4510	Steel sheet enclosed EMC safety switch	69
OT25ETMM4A	1SCA022714R4140	Steel sheet enclosed EMC safety switch	70	OT315KTRR6TZ	1SCA022545R7610	Steel sheet enclosed EMC safety switch	64
OT25ETMM4T	1SCA022650R7000	Steel sheet enclosed EMC safety switch	65	OT315KUUA3T	1SCA022398R8650	Steel sheet enclosed EMC safety switch	66
OT25ETMM6AE	1SCA022742R1240	Steel sheet enclosed EMC safety switch	67	OT315KUUR3AZ	1SCA022725R2890	Steel sheet enclosed EMC safety switch	68
OT25ETMM6TE	1SCA022739R3950	Steel sheet enclosed EMC safety switch	62	OT315KUUR3TZ	1SCA022513R8510	Steel sheet enclosed EMC safety switch	63
OT315ERRR3TZ	1SCA102332R1001	Stainless steel sheet (acid proof) enclosed safety switch	53	OT36EUAU3A	1SCA022544R0800	Steel sheet enclosed safety switch	45
OT315ERRR6TZ	1SCA102327R1001	Stainless steel sheet (acid proof) enclosed safety switch	54	OT36EUAU3T	1SCA022470R8760	Steel sheet enclosed safety switch	33
OT315ESUR3TZ	1SCA102317R1001	Stainless steel sheet (acid proof) enclosed safety switch	53	OT36EUAU3TZ	1SCA022470R8840	Steel sheet enclosed safety switch	25
OT315ESUR6TZ	1SCA102330R1001	Stainless steel sheet (acid proof) enclosed safety switch	54	OT36ELMM3A	1SCA022745R8910	Steel sheet enclosed safety switch	44
OT315KAUA3A	1SCA022298R0890	Steel sheet enclosed safety switch	45	OT36ELMM3T	1SCA022472R6310	Steel sheet enclosed safety switch	32
OT315KAUA3T	1SCA022276R9300	Steel sheet enclosed safety switch	33	OT36ELMM3TZ	1SCA022786R0830	Steel sheet enclosed safety switch	22
OT315KAUA6A	1SCA022500R3840	Steel sheet enclosed safety switch	46	OT36ELMM4T	1SCA022472R7120	Steel sheet enclosed safety switch	32
OT315KAUA6T	1SCA022335R4480	Steel sheet enclosed safety switch	34	OT36ELMM6A	1SCA022745R9130	Steel sheet enclosed safety switch	44
OT315KAUC3AZ	1SCA022513R0280	Steel sheet enclosed safety switch	37	OT36ELMM6T	1SCA022472R9840	Steel sheet enclosed safety switch	32
OT315KAUC3TZ	1SCA022340R1740	Steel sheet enclosed safety switch	24	OT36ETMM3A	1SCA022714R3840	Steel sheet enclosed EMC safety switch	70
OT315KAUC6AZ	1SCA022542R6480	Steel sheet enclosed safety switch	43	OT36ETMM3AE	1SCA022742R0940	Steel sheet enclosed EMC safety switch	67
OT315KAUC6TZ	1SCA022360R2810	Steel sheet enclosed safety switch	31	OT36ETMM3T	1SCA022650R7180	Steel sheet enclosed EMC safety switch	65
OT315KAUR3AZ	1SCA022513R1250	Steel sheet enclosed safety switch	36	OT36ETMM3TE	1SCA022734R6100	Steel sheet enclosed EMC safety switch	62
				OT36ETMM4A	1SCA022714R4220	Steel sheet enclosed EMC safety switch	70
				OT36ETMM4T	1SCA022650R7340	Steel sheet enclosed EMC safety switch	65
				OT36ETMM6AE	1SCA022742R1320	Steel sheet enclosed EMC safety switch	67
				OT36ETMM6TE	1SCA022739R4090	Steel sheet enclosed EMC safety switch	62

Type	Order number	Description	Page
OT400DTRR6AZ	1SCA022742R4690	Steel sheet enclosed EMC safety switch	69
OT400DAUA3A	1SCA022297R4900	Steel sheet enclosed safety switch	45
OT400DAUA3T	1SCA022276R9990	Steel sheet enclosed safety switch	33
OT400DAUA6A	1SCA022500R3920	Steel sheet enclosed safety switch	46
OT400DAUA6T	1SCA022335R4640	Steel sheet enclosed safety switch	34
OT400DAUC3AZ	1SCA022513R0360	Steel sheet enclosed safety switch	37
OT400DAUC3TZ	1SCA022340R2120	Steel sheet enclosed safety switch	24
OT400DAUC6AZ	1SCA022542R6560	Steel sheet enclosed safety switch	43
OT400DAUC6TZ	1SCA022360R3020	Steel sheet enclosed safety switch	31
OT400DAUR3AZ	1SCA022513R1330	Steel sheet enclosed safety switch	36
OT400DAUR3TZ	1SCA022281R7470	Steel sheet enclosed safety switch	23
OT400DAUR6AZ	1SCA022542R5830	Steel sheet enclosed safety switch	42
OT400DAUR6TZ	1SCA022360R2990	Steel sheet enclosed safety switch	30
OT400DFCC3A	1SCA022278R3120	Plastic enclosed safety switch	18
OT400DFCC3T	1SCA022277R0490	Plastic enclosed safety switch	15
OT400DFCC4A	1SCA022745R6710	Plastic enclosed safety switch	19
OT400DFCC4T	1SCA022623R3970	Plastic enclosed safety switch	16
OT400DFCC6A	1SCA022297R8810	Plastic enclosed safety switch	20
OT400DFCC6T	1SCA022277R0650	Plastic enclosed safety switch	17
OT400DGCC3A	1SCA022297R6430	Plastic enclosed safety switch	18
OT400DGCC3T	1SCA022277R0810	Plastic enclosed safety switch	15
OT400DLAA3A	1SCA022280R5620	Steel sheet enclosed safety switch	45
OT400DLAA3T	1SCA022276R9560	Steel sheet enclosed safety switch	33
OT400DLAA6A	1SCA022297R9110	Steel sheet enclosed safety switch	46
OT400DLAA6T	1SCA022276R9720	Steel sheet enclosed safety switch	34
OT400DLCC3AZ	1SCA022512R6680	Steel sheet enclosed safety switch	37
OT400DLCC3TZ	1SCA022281R6070	Steel sheet enclosed safety switch	24
OT400DLCC4AZ	1SCA022542R8770	Steel sheet enclosed safety switch	40
OT400DLCC4TZ	1SCA022461R6130	Steel sheet enclosed safety switch	28
OT400DLCC6AZ	1SCA022512R8540	Steel sheet enclosed safety switch	43
OT400DLCC6TZ	1SCA022338R8460	Steel sheet enclosed safety switch	31
OT400DLRR3AZ	1SCA022512R7650	Steel sheet enclosed safety switch	36
OT400DLRR3TZ	1SCA022340R1910	Steel sheet enclosed safety switch	23
OT400DLRR4AZ	1SCA022542R7290	Steel sheet enclosed safety switch	39
OT400DLRR4TZ	1SCA022461R6050	Steel sheet enclosed safety switch	27
OT400DLRR6AZ	1SCA022512R9430	Steel sheet enclosed safety switch	42
OT400DLRR6TZ	1SCA022338R8200	Steel sheet enclosed safety switch	30
OT400DTAA3A	1SCA022438R7010	Steel sheet enclosed EMC safety switch	71
OT400DTAA3T	1SCA022398R9620	Steel sheet enclosed EMC safety switch	66
OT400DTRR3AZ	1SCA022742R3700	Steel sheet enclosed EMC safety switch	68
OT400DTRR3TZ	1SCA022513R7700	Steel sheet enclosed EMC safety switch	63
OT400DTRR6TZ	1SCA022545R7790	Steel sheet enclosed EMC safety switch	64
OT400DUUA3T	1SCA022398R8730	Steel sheet enclosed EMC safety switch	66
OT400DUUR3AZ	1SCA022700R6420	Steel sheet enclosed EMC safety switch	68
OT400DUUR3TZ	1SCA022513R8690	Steel sheet enclosed EMC safety switch	63
OT400ERRR3TZ	1SCA102318R1001	Stainless steel sheet (acid proof) enclosed safety switch	53
OT400ERRR6TZ	1SCA102329R1001	Stainless steel sheet (acid proof) enclosed safety switch	54
OT400ESUR3TZ	1SCA102323R1001	Stainless steel sheet (acid proof) enclosed safety switch	53
OT400ESUR6TZ	1SCA102335R1001	Stainless steel sheet (acid proof) enclosed safety switch	54
OT630ERRR3TZ	1SCA102321R1001	Stainless steel sheet (acid proof) enclosed safety switch	53
OT630ERRR6TZ	1SCA102326R1001	Stainless steel sheet (acid proof) enclosed safety switch	54
OT630ESUR3TZ	1SCA102336R1001	Stainless steel sheet (acid proof) enclosed safety switch	53
OT630ESUR6TZ	1SCA102322R1001	Stainless steel sheet (acid proof) enclosed safety switch	54

Type	Order number	Description	Page
OT630KAUA3A	1SCA022297R5110	Steel sheet enclosed safety switch	45
OT630KAUA3T	1SCA022277R0570	Steel sheet enclosed safety switch	33
OT630KAUA6A	1SCA022500R4060	Steel sheet enclosed safety switch	46
OT630KAUA6T	1SCA022438R2040	Steel sheet enclosed safety switch	34
OT630KAUC3AZ	1SCA022513R0440	Steel sheet enclosed safety switch	37
OT630KAUC3TZ	1SCA022340R2550	Steel sheet enclosed safety switch	24
OT630KAUC6AZ	1SCA022542R6640	Steel sheet enclosed safety switch	43
OT630KAUC6TZ	1SCA022460R9860	Steel sheet enclosed safety switch	31
OT630KAUR3AZ	1SCA022513R1410	Steel sheet enclosed safety switch	36
OT630KAUR3TZ	1SCA022281R7630	Steel sheet enclosed safety switch	23
OT630KAUR6AZ	1SCA022542R5910	Steel sheet enclosed safety switch	42
OT630KAUR6TZ	1SCA022460R9940	Steel sheet enclosed safety switch	30
OT630KBUA3A	1SCA022544R0710	Steel sheet enclosed safety switch	45
OT630KBUA3T	1SCA022284R1510	Steel sheet enclosed safety switch	33
OT630KBUC3AZ	1SCA022513R0520	Steel sheet enclosed safety switch	37
OT630KBUC3TZ	1SCA022340R2980	Steel sheet enclosed safety switch	24
OT630KBUR3AZ	1SCA022542R6720	Steel sheet enclosed safety switch	36
OT630KBUR3TZ	1SCA022340R2710	Steel sheet enclosed safety switch	23
OT630KFCC3A	1SCA022278R3710	Plastic enclosed safety switch	18
OT630KFCC3T	1SCA022277R1030	Plastic enclosed safety switch	15
OT630KGCC3A	1SCA022297R6600	Plastic enclosed safety switch	18
OT630KGCC3T	1SCA022277R1460	Plastic enclosed safety switch	15
OT630KLA3A	1SCA022280R0150	Steel sheet enclosed safety switch	45
OT630KLA3T	1SCA022277R0140	Steel sheet enclosed safety switch	33
OT630KLA6A	1SCA022297R9370	Steel sheet enclosed safety switch	46
OT630KLA6T	1SCA022277R0310	Steel sheet enclosed safety switch	34
OT630KLCC3AZ	1SCA022512R6760	Steel sheet enclosed safety switch	37
OT630KLCC3TZ	1SCA022340R2390	Steel sheet enclosed safety switch	24
OT630KLCC4AZ	1SCA022542R8850	Steel sheet enclosed safety switch	40
OT630KLCC4TZ	1SCA022461R6130	Steel sheet enclosed safety switch	28
OT630KLCC6AZ	1SCA022512R8620	Steel sheet enclosed safety switch	43
OT630KLCC6TZ	1SCA022338R8890	Steel sheet enclosed safety switch	31
OT630KLRR3AZ	1SCA022512R7730	Steel sheet enclosed safety switch	36
OT630KLRR3TZ	1SCA022281R6230	Steel sheet enclosed safety switch	23
OT630KLRR4AZ	1SCA022542R7450	Steel sheet enclosed safety switch	39
OT630KLRR4TZ	1SCA022461R6210	Steel sheet enclosed safety switch	27
OT630KLRR6AZ	1SCA022512R9510	Steel sheet enclosed safety switch	42
OT630KLRR6TZ	1SCA022338R8620	Steel sheet enclosed safety switch	30
OT630KTA3A	1SCA022438R7190	Steel sheet enclosed EMC safety switch	71
OT630KTA3T	1SCA022398R9710	Steel sheet enclosed EMC safety switch	66
OT630KTRR3AZ	1SCA022742R3880	Steel sheet enclosed EMC safety switch	68
OT630KTRR3TZ	1SCA022513R7880	Steel sheet enclosed EMC safety switch	63
OT630KTRR6AZ	1SCA022742R4770	Steel sheet enclosed EMC safety switch	69
OT630KTRR6TZ	1SCA022545R7870	Steel sheet enclosed EMC safety switch	64
OT630KUU3A	1SCA022398R8810	Steel sheet enclosed EMC safety switch	66
OT630KUR3AZ	1SCA022725R2970	Steel sheet enclosed EMC safety switch	68
OT630KUR3TZ	1SCA022513R8770	Steel sheet enclosed EMC safety switch	63
OT63ELMM3A	1SCA022617R6050	Steel sheet enclosed safety switch	44
OT63ELMM3T	1SCA022473R0000	Steel sheet enclosed safety switch	32
OT63ELMM3TZ	1SCA022513R7290	Steel sheet enclosed safety switch	22
OT63ELMM4T	1SCA022473R0180	Steel sheet enclosed safety switch	32
OT63ELMM6T	1SCA022473R0260	Steel sheet enclosed safety switch	32
OT63ETMM3A	1SCA022714R3920	Steel sheet enclosed EMC safety switch	70
OT63ETMM3AE	1SCA022742R1080	Steel sheet enclosed EMC safety switch	67
OT63ETMM3T	1SCA022650R7420	Steel sheet enclosed EMC safety switch	65
OT63ETMM3TE	1SCA022734R6280	Steel sheet enclosed EMC safety switch	62

Type	Order number	Description	Page	Type	Order number	Description	Page
OT63ETMM4A	1SCA022714R4310	Steel sheet enclosed EMC safety switch	70	OT90AAUR6AZ	1SCA022542R1840	Steel sheet enclosed safety switch	42
OT63ETMM4T	1SCA022650R7260	Steel sheet enclosed EMC safety switch	65	OT90AAUR6TZ	1SCA022360R1910	Steel sheet enclosed safety switch	30
OT75EUA3A	1SCA022544R0980	Steel sheet enclosed safety switch	45	OT90AFCC3A	1SCA110504R1001	Plastic enclosed safety switch	18
OT75EUA3T	1SCA022470R8920	Steel sheet enclosed safety switch	33	OT90AFCC3T	1SCA022576R0200	Plastic enclosed safety switch	15
OT75EUA3TZ	1SCA022470R9060	Steel sheet enclosed safety switch	25	OT90AFCC6A	1SCA022297R7830	Plastic enclosed safety switch	20
OT75ELBB3A	1SCA022462R0830	Steel sheet enclosed safety switch	44	OT90AFCC6T	1SCA022260R3590	Plastic enclosed safety switch	17
OT75ELBB3T	1SCA022462R3000	Steel sheet enclosed safety switch	32	OT90ALAA3A	1SCA022297R9290	Steel sheet enclosed safety switch	45
OT75ELBB3TZ	1SCA022462R4150	Steel sheet enclosed safety switch	22	OT90ALAA3T	1SCA022281R7390	Steel sheet enclosed safety switch	33
OT75ELBB4T	1SCA022472R6740	Steel sheet enclosed safety switch	32	OT90ALAA6A	1SCA022297R7910	Steel sheet enclosed safety switch	46
OT75ELBB6A	1SCA022462R1300	Steel sheet enclosed safety switch	44	OT90ALAA6T	1SCA022299R2630	Steel sheet enclosed safety switch	34
OT75ELBB6T	1SCA022462R3510	Steel sheet enclosed safety switch	32	OT90ALCC3AZ	1SCA022512R6090	Steel sheet enclosed safety switch	37
OT75ELBB6TZ	1SCA022462R4660	Steel sheet enclosed safety switch	29	OT90ALCC3TZ	1SCA022340R5490	Steel sheet enclosed safety switch	24
OT800EUA3A	1SCA022827R9870	Steel sheet enclosed safety switch	45	OT90ALCC4AZ	1SCA022542R7700	Steel sheet enclosed safety switch	40
OT800EUA3T	1SCA022827R9610	Steel sheet enclosed safety switch	33	OT90ALCC4TZ	1SCA022461R5080	Steel sheet enclosed safety switch	28
OT800EUAUC3AZ	1SCA022827R9950	Steel sheet enclosed safety switch	37	OT90ALCC6AZ	1SCA022512R7900	Steel sheet enclosed safety switch	43
OT800EUAUC3TZ	1SCA022827R9790	Steel sheet enclosed safety switch	24	OT90ALCC6TZ	1SCA022340R4760	Steel sheet enclosed safety switch	31
OT800EUAUR3AZ	1SCA022828R0020	Steel sheet enclosed safety switch	36	OT90ALRR6AZ	1SCA022512R8890	Steel sheet enclosed safety switch	42
OT800EUAUR3TZ	1SCA022827R8210	Steel sheet enclosed safety switch	23	OT90ALRR6TZ	1SCA022340R4500	Steel sheet enclosed safety switch	30
OT800ELAA3A	1SCA022828R0880	Steel sheet enclosed safety switch	45	OT90ATAA3A	1SCA022438R6460	Steel sheet enclosed EMC safety switch	71
OT800ELAA3T	1SCA022828R0530	Steel sheet enclosed safety switch	33	OT90ATAA3T	1SCA022398R9030	Steel sheet enclosed EMC safety switch	66
OT800ELAA6A	1SCA022828R2310	Steel sheet enclosed safety switch	46	OT90ATTR6TZ	1SCA022545R7100	Steel sheet enclosed EMC safety switch	64
OT800ELAA6T	1SCA022828R2150	Steel sheet enclosed safety switch	34	OT90AUUA3T	1SCA022398R8140	Steel sheet enclosed EMC safety switch	66
OT800ELCC3AZ	1SCA022828R1000	Steel sheet enclosed safety switch	37	OT90AUUR3AZ	1SCA022700R6260	Steel sheet enclosed EMC safety switch	68
OT800ELCC3TZ	1SCA022828R0700	Steel sheet enclosed safety switch	24	OT90AUUR3TZ	1SCA022513R8000	Steel sheet enclosed EMC safety switch	63
OT800ELCC4AZ	1SCA022828R1510	Steel sheet enclosed safety switch	40	OT90ELBB3A	1SCA022462R0910	Steel sheet enclosed safety switch	44
OT800ELCC4TZ	1SCA022828R1420	Steel sheet enclosed safety switch	28	OT90ELBB3T	1SCA022462R3180	Steel sheet enclosed safety switch	32
OT800ELCC6AZ	1SCA022828R2400	Steel sheet enclosed safety switch	43	OT90ELBB3TZ	1SCA022462R4230	Steel sheet enclosed safety switch	22
OT800ELCC6TZ	1SCA022828R2230	Steel sheet enclosed safety switch	31	OT90ELBB4T	1SCA022472R6820	Steel sheet enclosed safety switch	32
OT800ELRR3AZ	1SCA022828R1180	Steel sheet enclosed safety switch	36	OTE16A3M	1SCA022613R8710	Plastic enclosed EMC safety switch	60
OT800ELRR3TZ	1SCA022827R8390	Steel sheet enclosed safety switch	23	OTE16A4M	1SCA022613R8800	Plastic enclosed EMC safety switch	61
OT800ELRR4AZ	1SCA022828R1690	Steel sheet enclosed safety switch	39	OTE16A6M	1SCA022681R1250	Plastic enclosed EMC safety switch	61
OT800ELRR4TZ	1SCA022828R1260	Steel sheet enclosed safety switch	27	OTE16AL3M	1SCA022613R9610	Plastic enclosed EMC safety switch	60
OT800ELRR6AZ	1SCA022828R2580	Steel sheet enclosed safety switch	42	OTE16AL4M	1SCA022613R9790	Plastic enclosed EMC safety switch	61
OT800ELRR6TZ	1SCA022827R8470	Steel sheet enclosed safety switch	30	OTE16T3M	1SCA022613R2190	Plastic enclosed EMC safety switch	58
OT800ERRR3TZ	1SCA102333R1001	Stainless steel sheet (acid proof) enclosed safety switch	53	OTE16T4M	1SCA022613R2430	Plastic enclosed EMC safety switch	59
OT800ERRR6TZ	1SCA102334R1001	Stainless steel sheet (acid proof) enclosed safety switch	54	OTE16T6M	1SCA022613R8980	Plastic enclosed EMC safety switch	59
OT800ESUR3TZ	1SCA102324R1001	Stainless steel sheet (acid proof) enclosed safety switch	53	OTE16TL3M	1SCA022613R9870	Plastic enclosed EMC safety switch	58
OT800ETAA3A	1SCA022828R1930	Steel sheet enclosed EMC safety switch	71	OTE16TL4M	1SCA022613R9950	Plastic enclosed EMC safety switch	59
OT800ETAA3T	1SCA022828R1850	Steel sheet enclosed EMC safety switch	66	OTE25A3M	1SCA022613R9010	Plastic enclosed EMC safety switch	60
OT800ETR3AZ	1SCA022828R2070	Steel sheet enclosed EMC safety switch	68	OTE25A4M	1SCA022613R9100	Plastic enclosed EMC safety switch	61
OT800ETR3TZ	1SCA022828R1770	Steel sheet enclosed EMC safety switch	63	OTE25A6B	1SCA022615R0500	Plastic enclosed EMC safety switch	61
OT800ETR6AZ	1SCA022828R2820	Steel sheet enclosed EMC safety switch	69	OTE25AL3M	1SCA022614R0020	Plastic enclosed EMC safety switch	60
OT800ETR6TZ	1SCA022828R2660	Steel sheet enclosed EMC safety switch	64	OTE25AL4M	1SCA022614R0110	Plastic enclosed EMC safety switch	61
OT800EUUA3T	1SCA022828R0290	Steel sheet enclosed EMC safety switch	66	OTE25T3M	1SCA022613R2270	Plastic enclosed EMC safety switch	58
OT800EUUR3AZ	1SCA022828R0450	Steel sheet enclosed EMC safety switch	68	OTE25T4M	1SCA022613R2510	Plastic enclosed EMC safety switch	59
OT800EUUR3TZ	1SCA022828R0110	Steel sheet enclosed EMC safety switch	63	OTE25T6B	1SCA022506R4120	Plastic enclosed EMC safety switch	59
OT90AAUA3A	1SCA022297R9880	Steel sheet enclosed safety switch	45	OTE25TL3M	1SCA022614R0290	Plastic enclosed EMC safety switch	58
OT90AAUA3T	1SCA022299R0420	Steel sheet enclosed safety switch	33	OTE25TL4M	1SCA022614R0370	Plastic enclosed EMC safety switch	59
OT90AAUA6A	1SCA022500R3410	Steel sheet enclosed safety switch	46	OTE36A3M	1SCA022613R9280	Plastic enclosed EMC safety switch	60
OT90AAUA6T	1SCA022360R1830	Steel sheet enclosed safety switch	34	OTE36A4M	1SCA022613R9360	Plastic enclosed EMC safety switch	61
OT90AAUC3AZ	1SCA022512R9780	Steel sheet enclosed safety switch	37	OTE36A6B	1SCA022652R3890	Plastic enclosed EMC safety switch	61
OT90AAUC3TZ	1SCA022339R1840	Steel sheet enclosed safety switch	24	OTE36AL3M	1SCA022614R0450	Plastic enclosed EMC safety switch	60
OT90AAUC6AZ	1SCA022542R1920	Steel sheet enclosed safety switch	43	OTE36AL4M	1SCA022614R0530	Plastic enclosed EMC safety switch	61
OT90AAUC6TZ	1SCA022360R2130	Steel sheet enclosed safety switch	31	OTE36T3M	1SCA022613R2350	Plastic enclosed EMC safety switch	58
OT90AAUR3AZ	1SCA022513R0790	Steel sheet enclosed safety switch	36	OTE36T4M	1SCA022613R2600	Plastic enclosed EMC safety switch	59
OT90AAUR3TZ	1SCA022303R2440	Steel sheet enclosed safety switch	23	OTE36T6B	1SCA022506R4210	Plastic enclosed EMC safety switch	59
				OTE36TL3M	1SCA022614R0610	Plastic enclosed EMC safety switch	58
				OTE36TL4M	1SCA022614R0700	Plastic enclosed EMC safety switch	59
				OTE75A3B	1SCA022438R4760	Plastic enclosed EMC safety switch	60
				OTE75A3M	1SCA022812R5990	Plastic enclosed EMC safety switch	60
				OTE75A4B	1SCA022438R5220	Plastic enclosed EMC safety switch	61
				OTE75A4M	1SCA022812R6370	Plastic enclosed EMC safety switch	61
				OTE75A6B	1SCA022652R3970	Plastic enclosed EMC safety switch	61
				OTE75A6M	1SCA022812R6700	Plastic enclosed EMC safety switch	61

Type	Order number	Description	Page
OTE75AL3B	1SCA022500R9290	Plastic enclosed EMC safety switch	60
OTE75AL3M	1SCA022812R6110	Plastic enclosed EMC safety switch	60
OTE75AL4B	1SCA022500R9700	Plastic enclosed EMC safety switch	61
OTE75AL4M	1SCA022812R6530	Plastic enclosed EMC safety switch	61
OTE75T3B	1SCA022438R3790	Plastic enclosed EMC safety switch	58
OTE75T3M	1SCA022812R4160	Plastic enclosed EMC safety switch	58
OTE75T4B	1SCA022438R4250	Plastic enclosed EMC safety switch	59
OTE75T4M	1SCA022812R4670	Plastic enclosed EMC safety switch	59
OTE75T6B	1SCA022536R1680	Plastic enclosed EMC safety switch	59
OTE75T6M	1SCA022812R5720	Plastic enclosed EMC safety switch	59
OTE75TL3B	1SCA022469R0610	Plastic enclosed EMC safety switch	58
OTE75TL3M	1SCA022812R4320	Plastic enclosed EMC safety switch	58
OTE75TL4B	1SCA022469R1260	Plastic enclosed EMC safety switch	59
OTE75TL4M	1SCA022812R5300	Plastic enclosed EMC safety switch	59
OTE90A3B	1SCA022438R4840	Plastic enclosed EMC safety switch	60
OTE90A3M	1SCA022812R6020	Plastic enclosed EMC safety switch	60
OTE90A4B	1SCA022438R5310	Plastic enclosed EMC safety switch	61
OTE90A4M	1SCA022812R6450	Plastic enclosed EMC safety switch	61
OTE90A6B	1SCA022652R4010	Plastic enclosed EMC safety switch	61
OTE90A6M	1SCA022812R6880	Plastic enclosed EMC safety switch	61
OTE90AL3B	1SCA022500R9370	Plastic enclosed EMC safety switch	60
OTE90AL3M	1SCA022812R6290	Plastic enclosed EMC safety switch	60
OTE90AL4B	1SCA022500R9880	Plastic enclosed EMC safety switch	61
OTE90AL4M	1SCA022812R6610	Plastic enclosed EMC safety switch	61
OTE90T3B	1SCA022438R3870	Plastic enclosed EMC safety switch	58
OTE90T3M	1SCA022812R4240	Plastic enclosed EMC safety switch	58
OTE90T4B	1SCA022438R4330	Plastic enclosed EMC safety switch	59
OTE90T4M	1SCA022812R5050	Plastic enclosed EMC safety switch	59
OTE90T6B	1SCA022536R1760	Plastic enclosed EMC safety switch	59
OTE90T6M	1SCA022812R5810	Plastic enclosed EMC safety switch	59
OTE90TL3B	1SCA022469R0700	Plastic enclosed EMC safety switch	58
OTE90TL3M	1SCA022812R4410	Plastic enclosed EMC safety switch	58
OTE90TL4B	1SCA022469R1340	Plastic enclosed EMC safety switch	59
OTE90TL4M	1SCA022812R5560	Plastic enclosed EMC safety switch	59
OTL16A3B	1SCA022575R1630	Steel sheet enclosed safety switch	35
OTL16A3M	1SCA022612R8750	Steel sheet enclosed safety switch	35
OTL16A4B	1SCA022745R7010	Steel sheet enclosed safety switch	38
OTL16A4M	1SCA022612R9130	Steel sheet enclosed safety switch	38
OTL16A6B	1SCA022745R7430	Steel sheet enclosed safety switch	41
OTL16A6M	1SCA022612R9560	Steel sheet enclosed safety switch	41
OTL16T3B	1SCA022571R9150	Steel sheet enclosed safety switch	22
OTL16T3M	1SCA102679R1001	Steel sheet enclosed safety switch	22
OTL16T4B	1SCA022580R5150	Steel sheet enclosed safety switch	26
OTL16T4M	1SCA022613R0140	Steel sheet enclosed safety switch	26
OTL16T6B	1SCA022580R5230	Steel sheet enclosed safety switch	29
OTL25A3B	1SCA022575R1710	Steel sheet enclosed safety switch	35
OTL25A3M	1SCA022612R8830	Steel sheet enclosed safety switch	35
OTL25A4B	1SCA022745R7190	Steel sheet enclosed safety switch	38
OTL25A4M	1SCA022612R9210	Steel sheet enclosed safety switch	38
OTL25A6B	1SCA022745R6890	Steel sheet enclosed safety switch	41
OTL25A6M	1SCA022612R9640	Steel sheet enclosed safety switch	41
OTL25T3B	1SCA022571R9230	Steel sheet enclosed safety switch	22
OTL25T3M	1SCA022612R9990	Steel sheet enclosed safety switch	22
OTL25T4B	1SCA022580R5310	Steel sheet enclosed safety switch	26
OTL25T4M	1SCA022613R0220	Steel sheet enclosed safety switch	26
OTL25T6B	1SCA022580R8090	Steel sheet enclosed safety switch	29
OTL25T6M	1SCA022613R0650	Steel sheet enclosed safety switch	29
OTL36A3B	1SCA022575R1800	Steel sheet enclosed safety switch	35
OTL36A3M	1SCA022612R8910	Steel sheet enclosed safety switch	35
OTL36A4B	1SCA022745R7270	Steel sheet enclosed safety switch	38
OTL36A4M	1SCA022612R9300	Steel sheet enclosed safety switch	38
OTL36A6B	1SCA022745R6970	Steel sheet enclosed safety switch	41
OTL36A6M	1SCA022612R9720	Steel sheet enclosed safety switch	41
OTL36T3B	1SCA022571R9310	Steel sheet enclosed safety switch	22
OTL36T3M	1SCA022613R0060	Steel sheet enclosed safety switch	22
OTL36T4B	1SCA022580R5400	Steel sheet enclosed safety switch	26
OTL36T4M	1SCA022613R0310	Steel sheet enclosed safety switch	26
OTL36T6B	1SCA022580R8170	Steel sheet enclosed safety switch	29
OTL36T6M	1SCA022613R0730	Steel sheet enclosed safety switch	29
OTL63A3B	1SCA022575R1980	Steel sheet enclosed safety switch	35

Type	Order number	Description	Page
OTL63A3M	1SCA022612R9050	Steel sheet enclosed safety switch	35
OTL63A4B	1SCA022745R7350	Steel sheet enclosed safety switch	38
OTL63A4M	1SCA022612R9480	Steel sheet enclosed safety switch	38
OTL63T3B	1SCA022571R9400	Steel sheet enclosed safety switch	22
OTL63T3M	1SCA022609R7180	Steel sheet enclosed safety switch	22
OTL63T4B	1SCA022580R5580	Steel sheet enclosed safety switch	26
OTL63T4M	1SCA022613R0490	Steel sheet enclosed safety switch	26
OTL75A3B	1SCA022555R7580	Steel sheet enclosed safety switch	35
OTL75A3U	1SCA022707R7610	Steel sheet enclosed safety switch	35
OTL75A4B	1SCA022555R7660	Steel sheet enclosed safety switch	38
OTL75A6B	1SCA022555R7740	Steel sheet enclosed safety switch	41
OTL75A6U	1SCA022696R4830	Steel sheet enclosed safety switch	41
OTL75T3B	1SCA022546R0820	Steel sheet enclosed safety switch	22
OTL75T3U	1SCA022718R4520	Steel sheet enclosed safety switch	22
OTL75T4B	1SCA022546R0910	Steel sheet enclosed safety switch	26
OTL75T6B	1SCA022546R1040	Steel sheet enclosed safety switch	29
OTL75T6U	1SCA022730R9160	Steel sheet enclosed safety switch	29
OTL90A3B	1SCA022555R7820	Steel sheet enclosed safety switch	35
OTL90A3U	1SCA022707R7790	Steel sheet enclosed safety switch	35
OTL90A4B	1SCA022555R7910	Steel sheet enclosed safety switch	38
OTL90A6B	1SCA022555R8040	Steel sheet enclosed safety switch	41
OTL90A6U	1SCA022708R3090	Steel sheet enclosed safety switch	41
OTL90T3B	1SCA022546R1120	Steel sheet enclosed safety switch	22
OTL90T3U	1SCA022718R4610	Steel sheet enclosed safety switch	22
OTL90T4B	1SCA022546R1210	Steel sheet enclosed safety switch	26
OTL90T6B	1SCA022546R1390	Steel sheet enclosed safety switch	29
OTL90T6U	1SCA022730R9240	Steel sheet enclosed safety switch	29
OTP16A3M	1SCA022399R6750	Plastic enclosed safety switch	18
OTP16A4M	1SCA022401R1060	Plastic enclosed safety switch	19
OTP16A6M	1SCA022401R2200	Plastic enclosed safety switch	20
OTP16H3M	1SCA022608R8190	Plastic enclosed installation safety switch	14
OTP16H3M/10	1SCA022608R9240	Plastic enclosed installation safety switch	14
OTP16H3M1	1SCA022432R1090	Plastic enclosed installation safety switch	14
OTP16H3M1/10	1SCA022608R9750	Plastic enclosed installation safety switch	14
OTP16H3M25	1SCA022699R3000	Plastic enclosed installation safety switch	14
OTP16H3M25/10	1SCA022699R3180	Plastic enclosed installation safety switch	14
OTP16H3M251	1SCA022699R3340	Plastic enclosed installation safety switch	14
OTP16H3M251/10	1SCA022699R3420	Plastic enclosed installation safety switch	14
OTP16H3P	1SCA022371R2310	Plastic enclosed installation safety switch	14
OTP16H3P/10	1SCA022373R1610	Plastic enclosed installation safety switch	14
OTP16H3P1	1SCA022371R2400	Plastic enclosed installation safety switch	14
OTP16H3P1/10	1SCA022373R1700	Plastic enclosed installation safety switch	14
OTP16HT3M	1SCA022400R9410	Plastic enclosed installation safety switch	14
OTP16HT3M/10	1SCA022641R7510	Plastic enclosed installation safety switch	14
OTP16HT3M1	1SCA022400R9320	Plastic enclosed installation safety switch	14
OTP16HT3M1/10	1SCA022641R7600	Plastic enclosed installation safety switch	14
OTP16HT3M25	1SCA022699R3770	Plastic enclosed installation safety switch	14
OTP16HT3M25/10	1SCA022699R3850	Plastic enclosed installation safety switch	14
OTP16HT3M251	1SCA022699R4070	Plastic enclosed installation safety switch	14
OTP16HT3M251/10	1SCA022699R4150	Plastic enclosed installation safety switch	14

Type	Order number	Description	Page	Type	Order number	Description	Page
OTP16K3M	1SCA022400R9830	Plastic enclosed installation safety switch	14	OTP90T6U	1SCA022430R2460	Plastic enclosed safety switch	17
OTP16K3M1	1SCA022400R9750	Plastic enclosed installation safety switch	14	OTR16A3B	1SCA022575R7410	Stainless steel sheet enclosed safety switch	50
OTP16K3M25	1SCA022699R4310	Plastic enclosed installation safety switch	14	OTR16A3M	1SCA022613R2860	Stainless steel sheet enclosed safety switch	50
OTP16K3M251	1SCA022699R4400	Plastic enclosed installation safety switch	14	OTR16A4B	1SCA022745R7780	Stainless steel sheet enclosed safety switch	51
OTP16KA3M	1SCA022399R6590	Plastic enclosed installation safety switch	14	OTR16A4M	1SCA022613R3240	Stainless steel sheet enclosed safety switch	51
OTP16KA3M1	1SCA022401R0330	Plastic enclosed installation safety switch	14	OTR16A6B	1SCA022745R8160	Stainless steel sheet enclosed safety switch	52
OTP16KA3M25	1SCA022699R4580	Plastic enclosed installation safety switch	14	OTR16A6M	1SCA022613R3670	Stainless steel sheet enclosed safety switch	52
OTP16KA3M251	1SCA022699R4660	Plastic enclosed installation safety switch	14	OTR16T3B	1SCA022572R0160	Stainless steel sheet enclosed safety switch	47
OTP16T3M	1SCA022400R9910	Plastic enclosed safety switch	15	OTR16T3M	1SCA022613R2780	Stainless steel sheet enclosed safety switch	47
OTP16T4M	1SCA022401R0500	Plastic enclosed safety switch	16	OTR16T4B	1SCA022580R5740	Stainless steel sheet enclosed safety switch	48
OTP16T6M	1SCA022401R1730	Plastic enclosed safety switch	17	OTR16T4M	1SCA022613R4210	Stainless steel sheet enclosed safety switch	48
OTP25A3M	1SCA022399R6670	Plastic enclosed safety switch	18	OTR16T6B	1SCA022580R5820	Stainless steel sheet enclosed safety switch	49
OTP25A4M	1SCA022401R1220	Plastic enclosed safety switch	19	OTR16T6M	1SCA022613R464	Stainless steel sheet enclosed safety switch	49
OTP25A6M	1SCA022401R2460	Plastic enclosed safety switch	20	OTR25A3B	1SCA022575R7590	Stainless steel sheet enclosed safety switch	50
OTP25T3M	1SCA022401R0090	Plastic enclosed safety switch	15	OTR25A3M	1SCA022613R2940	Stainless steel sheet enclosed safety switch	50
OTP25T4M	1SCA022401R0680	Plastic enclosed safety switch	16	OTR25A4B	1SCA022745R7860	Stainless steel sheet enclosed safety switch	51
OTP25T6M	1SCA022401R1810	Plastic enclosed safety switch	17	OTR25A4M	1SCA022613R3320	Stainless steel sheet enclosed safety switch	51
OTP36A3M	1SCA022399R6830	Plastic enclosed safety switch	18	OTR25A6B	1SCA022745R7510	Stainless steel sheet enclosed safety switch	52
OTP36A4M	1SCA022401R1490	Plastic enclosed safety switch	19	OTR25A6M	1SCA022613R3750	Stainless steel sheet enclosed safety switch	52
OTP36A6M	1SCA022401R2620	Plastic enclosed safety switch	20	OTR25T3B	1SCA022572R0240	Stainless steel sheet enclosed safety switch	47
OTP36T3M	1SCA022401R0170	Plastic enclosed safety switch	15	OTR25T3M	1SCA022613R3910	Stainless steel sheet enclosed safety switch	47
OTP36T4M	1SCA022401R0760	Plastic enclosed safety switch	16	OTR25T4B	1SCA022580R5910	Stainless steel sheet enclosed safety switch	48
OTP36T6M	1SCA022401R1900	Plastic enclosed safety switch	17	OTR25T4M	1SCA022613R4300	Stainless steel sheet enclosed safety switch	48
OTP63A3M	1SCA022613R1200	Plastic enclosed safety switch	18	OTR25T6B	1SCA022580R8250	Stainless steel sheet enclosed safety switch	49
OTP63A6B	1SCA022485R6280	Plastic enclosed safety switch	20	OTR25T6M	1SCA022613R4720	Stainless steel sheet enclosed safety switch	49
OTP63T3M	1SCA022608R2910	Plastic enclosed safety switch	15	OTR36A3B	1SCA022575R7670	Stainless steel sheet enclosed safety switch	50
OTP63T6B	1SCA022485R6440	Plastic enclosed safety switch	17	OTR36A3M	1SCA022613R3080	Stainless steel sheet enclosed safety switch	50
OTP75A3B	1SCA022382R0550	Plastic enclosed safety switch	18	OTR36A4B	1SCA022745R7940	Stainless steel sheet enclosed safety switch	51
OTP75A3M	1SCA022812R3430	Plastic enclosed safety switch	18	OTR36A4M	1SCA022613R3410	Stainless steel sheet enclosed safety switch	51
OTP75A3U	1SCA022401R0410	Plastic enclosed safety switch	18	OTR36A6B	1SCA022745R7600	Stainless steel sheet enclosed safety switch	52
OTP75A4B	1SCA022401R1570	Plastic enclosed safety switch	19	OTR36A6M	1SCA022613R3830	Stainless steel sheet enclosed safety switch	52
OTP75A4M	1SCA022812R3780	Plastic enclosed safety switch	19	OTR36T3B	1SCA022572R0320	Stainless steel sheet enclosed safety switch	47
OTP75A4U	1SCA022401R1650	Plastic enclosed safety switch	19	OTR36T3M	1SCA022613R4050	Stainless steel sheet enclosed safety switch	47
OTP75A6B	1SCA022401R2710	Plastic enclosed safety switch	20	OTR36T4B	1SCA022580R6040	Stainless steel sheet enclosed safety switch	48
OTP75A6M	1SCA022812R3940	Plastic enclosed safety switch	20	OTR36T4M	1SCA022613R4480	Stainless steel sheet enclosed safety switch	48
OTP75A6U	1SCA022401R2890	Plastic enclosed safety switch	20				
OTP75T3B	1SCA022371R2910	Plastic enclosed safety switch	15				
OTP75T3M	1SCA022812R2890	Plastic enclosed safety switch	15				
OTP75T3U	1SCA022401R0250	Plastic enclosed safety switch	15				
OTP75T4B	1SCA022383R0860	Plastic enclosed safety switch	16				
OTP75T4M	1SCA022812R3010	Plastic enclosed safety switch	16				
OTP75T4U	1SCA022401R0840	Plastic enclosed safety switch	16				
OTP75T6B	1SCA022371R3040	Plastic enclosed safety switch	17				
OTP75T6M	1SCA022812R3270	Plastic enclosed safety switch	17				
OTP75T6U	1SCA022401R2030	Plastic enclosed safety switch	17				
OTP90A3B	1SCA022430R0410	Plastic enclosed safety switch	18				
OTP90A3M	1SCA022812R3510	Plastic enclosed safety switch	18				
OTP90A3U	1SCA022430R1060	Plastic enclosed safety switch	18				
OTP90A4B	1SCA022430R1900	Plastic enclosed safety switch	19				
OTP90A4M	1SCA022812R3860	Plastic enclosed safety switch	19				
OTP90A4U	1SCA022430R2030	Plastic enclosed safety switch	19				
OTP90A6B	1SCA022430R2540	Plastic enclosed safety switch	20				
OTP90A6M	1SCA022812R4080	Plastic enclosed safety switch	20				
OTP90A6U	1SCA022430R2620	Plastic enclosed safety switch	20				
OTP90T3B	1SCA022429R3450	Plastic enclosed safety switch	15				
OTP90T3M	1SCA022812R2970	Plastic enclosed safety switch	15				
OTP90T3U	1SCA022430R0760	Plastic enclosed safety switch	15				
OTP90T4B	1SCA022430R1310	Plastic enclosed safety switch	16				
OTP90T4M	1SCA022812R3190	Plastic enclosed safety switch	16				
OTP90T4U	1SCA022401R0840	Plastic enclosed safety switch	16				
OTP90T6B	1SCA022430R2380	Plastic enclosed safety switch	17				
OTP90T6M	1SCA022812R3350	Plastic enclosed safety switch	17				

Type	Order number	Description	Page
OTR36T6B	1SCA022580R8330	Stainless steel sheet enclosed safety switch	49
OTR36T6M	1SCA022613R4810	Stainless steel sheet enclosed safety switch	49
OTR63A3B	1SCA022575R7750	Stainless steel sheet enclosed safety switch	50
OTR63A3M	1SCA022613R3160	Stainless steel sheet enclosed safety switch	50
OTR63A4B	1SCA022745R8080	Stainless steel sheet enclosed safety switch	51
OTR63A4M	1SCA022613R3590	Stainless steel sheet enclosed safety switch	51
OTR63T3B	1SCA022572R0410	Stainless steel sheet enclosed safety switch	47
OTR63T3M	1SCA022613R4130	Stainless steel sheet enclosed safety switch	47
OTR63T4B	1SCA022580R6120	Stainless steel sheet enclosed safety switch	48
OTR63T4M	1SCA022613R4560	Stainless steel sheet enclosed safety switch	48
OTR75A3B	1SCA022567R8960	Stainless steel sheet enclosed safety switch	50
OTR75A4B	1SCA022567R9000	Stainless steel sheet enclosed safety switch	51
OTR75A6B	1SCA022596R7210	Stainless steel sheet enclosed safety switch	52
OTR75T3B	1SCA022567R1280	Stainless steel sheet enclosed safety switch	47
OTR75T4B	1SCA022567R1360	Stainless steel sheet enclosed safety switch	48
OTR75T6B	1SCA022580R9060	Stainless steel sheet enclosed safety switch	49
OTR90A3B	1SCA022567R9180	Stainless steel sheet enclosed safety switch	50
OTR90A4B	1SCA022567R9260	Stainless steel sheet enclosed safety switch	51
OTR90A6B	1SCA022596R7300	Stainless steel sheet enclosed safety switch	52
OTR90T3B	1SCA022567R1440	Stainless steel sheet enclosed safety switch	47
OTR90T4B	1SCA022567R1520	Stainless steel sheet enclosed safety switch	48
OTR90T6B	1SCA022580R9140	Stainless steel sheet enclosed safety switch	49
OZXB1	1SCA022119R7450	Terminal clamp	79
OZXB1/1	1SCA022193R9880	Terminal clamp	79
OZXB2	1SCA022119R7610	Terminal clamp	79
OZXB2/1	1SCA022194R0200	Terminal clamp	79
OZXB2L	1SCA022158R7750	Terminal clamp	79
OZXB2L/1	1SCA022194R0460	Terminal clamp	79
OZXB3	1SCA022136R8100	Terminal clamp	79
OZXB3/1	1SCA022194R0620	Terminal clamp	79
OZXB4	1SCA022137R4760	Terminal clamp	79
OZXB4/1	1SCA022194R0890	Terminal clamp	79
OZXB5	1SCA022137R2470	Terminal clamp	79
OZXB5/1	1SCA022194R1010	Terminal clamp	79
OZXB6	1SCA022137R4920	Terminal clamp	79
OZXB6/1	1SCA022194R1270	Terminal clamp	79
OZXB8	1SCA022744R1510	Terminal clamp	79
OZXB8/1	1SCA022744R1600	Terminal clamp	79
OZXB9	1SCA022750R3210	Terminal clamp	79
OZXB9/1	1SCA022750R3300	Terminal clamp	79
OZXE19	1SCA022162R8020	Busbar for parallel connection	80
OZXE20	1SCA022161R8650	Busbar for parallel connection	80
OZXE21	1SCA022161R8810	Busbar for parallel connection	80
OZXE45	1SCA022809R0240	Busbar for parallel connection	80
OZXE46	1SCA022809R3180	Busbar for parallel connection	80
OZXE54	1SCA022733R9150	Terminal boltset	80
OZXE56	1SCA022811R5920	Terminal boltset	80
OZXE57	1SCA022811R6060	Terminal boltset	80

Type	Order number	Description	Page
OZKK1	2CMA144522R1000	Auxiliary contact	77
OZKK12	2CMA144521R1000	Auxiliary contact	77
OZXL1	1SCA022439R6770	Terminal clamp	79
OZXL1/1	1SCA022469R6220	Terminal clamp	79
OZXL2	1SCA022335R2430	Terminal clamp	79
OZXL2/1	1SCA022352R3340	Terminal clamp	79
OZXT1	1SCA022469R6310	Terminal clamp	79
OZXT1/1	1SCA022469R6490	Terminal clamp	79
SORPNMPAM25/M20	1SCA022646R4510	Adapters for M-thread	86
SORPNMPAM32/M25	1SCA022646R4600	Adapters for M-thread	86
YJTB3	1SCA122170R1001	Condensation water outlet	86
YMF-MB10215	1SCA022191R2170	Cable flange	84
YMF-MB10861SET	1SCA022715R9090	Cable flange	84
YMF-MB10862SET	1SCA022715R9170	Cable flange	84
YMF-MK10440	1SCA022660R7130	Cable flange	84

Contact us

ABB Oy

Breakers and Switches

P.O. Box 622

FI-65101 Vaasa, Finland

Phone: +358 10 22 11

Fax: +358 10 22 45708

E-Mail: firstname.surname@fi.abb.com

ABB AB

Cewe-Control

Box 1005

SE-611 29 Nyköping, Sweden

Phone: +46 155 29 50 00

Fax: +46 155 28 81 10

E-Mail: firstname.surname@se.abb.com

www.abb.com

The technical data and dimensions are valid at the time of printing. We reserve the right to subsequent alterations.

