



Product brochure

ABB Fusegear

SlimLine XR

Switch Disconnecter Fuse, 63-630A

SlimLine XR

The optimum of clever solutions

The latest within optimal operation and design

The SlimLine XR fulfils all increasing demands in the industry for detailed energy measurement and monitoring. With new developments, it also covers the demands for remote monitoring and operation. Installation of the new SlimLine XR is even easier and time saving than ever before. The increased space in the cable termination area will allow even better access for the cable installation.

Motor operation

SlimLine XR offers an integrated motor for remote or local operation. The motor operation unit is 100% integrated without any changes of external dimensions. The front operated ON / OFF buttons is shrouded by a transparent cover with padlocking facility.

Electronic Fuse Monitoring (EFM)

The SlimLine XR fuse monitor (EFM) is an integrated fuse blown monitoring device for local indication in the front by a red LED lamp and for remote alarming via an internal relay. After replacement of a blown fuse, the EFM will automatically be reset and the green LED in the front will turn on. The SlimLine XR EFM is supported with voltage directly by connection to the internal fuse holders, which means no external power supply or controller is needed.

Intelligent Tier Switch (ITS)

SlimLine XR can be delivered as an Intelligent Tier Switch (ITS) for remote operation and monitoring using Bus communication. All parameters of setting alarm levels can be done via a laptop connected to all SlimLine XR via a USB cable.



Contents

Fuse protection	4
Technical Data	5
General	6
Apparatus overview	8
- Motor operation (MOT)	15
- Intelligent Tier Switch (ITS)	16
- Electronic Fuse Monitoring (EFM)	18
Accessories	19
- Multiplugs	22
- Cassette	24
Ordering tables	26
Dimensional drawings	41

Fuse protection

Easy and reliable

The fuse is a superior short circuit protection element regarding the maximum allowed cut-off current (peak let through current) and energy value.

This is more important the higher the voltage and prospective fault levels are. The SlimLine switch disconnecter fuse fulfil the highest requirements for modern switch fuses with a total safety concept. The switch fuses are tested according to the EN 60947-3 standard with more stringent requirements for isolation, making, performance and safety. The fuse rails are tested according to IEC 60269-2-1.

The melting curves and current limiting diagrams for NH fuse links are given in the IEC 269-2 standard. The standardised fuse characteristics and high degree of current limitation ensure that there is a simple and effective co-ordination with fuse links and other devices.

Fuse links provide a simple procedure for selecting the right fuse type for your installation, without complicated calculations or calculation tools. Fuses prevent "blackouts". Only the fuse nearest a fault trips without upstream fuses (feeders or mins) being affected. Fuses thus provide selective coordination.

When more power is needed in an installation, more feeders can be added without changing the present structure or any new selectivity calculations. Fuse links will assure selectivity in the installation by 1,6:1 difference in the rated current.

Economical installation

Lifetime costs of fuse systems are low. Fuse links which can withstand a high fault level and a fault current, are available at economical prices.

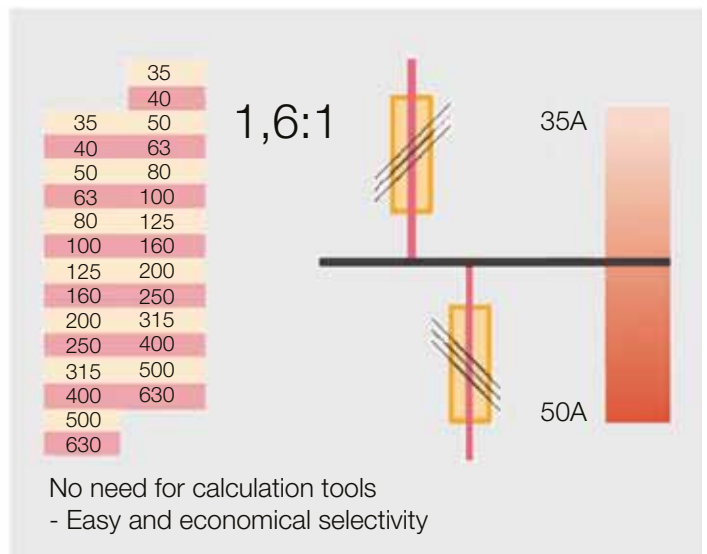
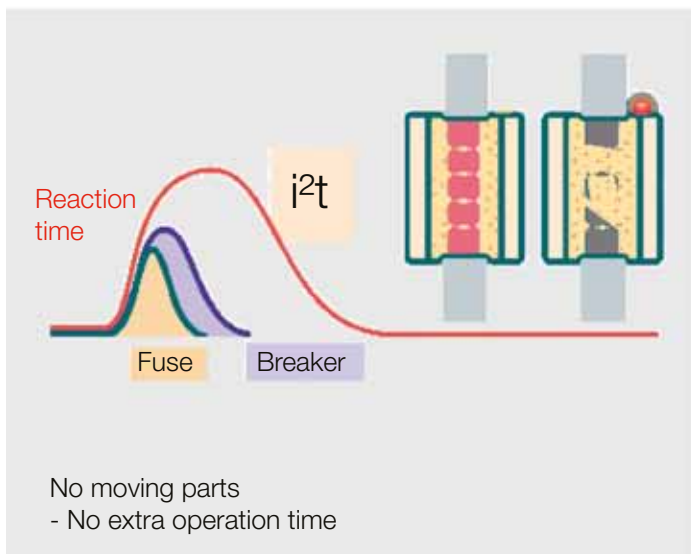
After fuse operation, only the fuse link has to be changed. Because the fuse links can be rapidly and easily replaced, plant down time and maintenance are substantially reduced with a fuse link system.

Because the fusing elements operate in a cylinder, they are not affected by their surroundings. Thus their protecting characteristics remain stable year after year. The dynamic stress on the network and its equipment is dependent of the let through energy (i^2t) at a short circuit. The fuse link provides the best protection compared to other solutions, at high short circuit currents.

As the fuse link body is filled with quartz sand, there will be no emission of gases or arcs when a short circuit occurs. This again leads to less stress on the network and a higher degree of personal safety.

Fuse protection – Easy and reliable

- Economical installation
- Easy and economical selectivity
- No need for calculation tools
- No need to change the present structure when more power is needed
- No moving parts
- No extra operation time
- No arc space
- No emission of gasses at short circuits



Technical Data

SlimLine XR - Switch Disconnecter Fuse

Type	Size	XRE		XRE-4P	XRM		XRM-DC		XRM-BS		XRE-BS-4P	XRM-BS-DC	
Rated operational voltage U _e (V)		500	690	500	500	690	230	500	500	690	500	230	500
	00	160	125	160	160	125	125	160	63,100, 160	125	160	125	160
Rated operational current I _e (A)	1	250	250	250	250	250	250	250	250	250	250	250	250
	2	400	400	400	400	400	400	315	400	400	400	400	315
	3	630	500	630	630	500	630	400	630	500	630	630	400
Rated insulation voltage U _i (V)		1000		1000	1000		1000		1000		1000	1000	
Rated impulse withstand voltage U _{imp} (v)		8000		8000	8000		8000		8000		8000	8000	
Fuse protected short circuit making (kArms)		55		55	66		66 ¹⁾		66		55	66 ¹⁾	
Fuse protected short circuit making (kArms) Personal safe		100		100	100		100 ¹⁾		100		100	100 ¹⁾	
Fuse protected short circuit withstand (kArms)		100		100	100		100 ¹⁾		100		100	100 ¹⁾	
Rated making and breaking capacity		AC22B		AC22B	AC23B		DC23B	DC21B	AC23B		AC22B	DC23B	DC21B
Rated frequency (Hz)		50/60		50/60	50/60		-		50/60		50/60	-	
	00 / 1	1600 / 200		1600 / 200	1600 / 200		1600 / 200		1600 / 200		1600 / 200	1600 / 200	
	2 / 3	1000 / 200		1000 / 200	1000 / 200		1000 / 200		1000 / 200		1000 / 200	1000 / 200	
Durability: Total / With current	BS63/ BS100								2000 / 300		2000 / 300	2000 / 300	
Degree of protection from the frontacc. to IEC / EN 60529		IP 41		IP 41	IP 41		IP 41		IP 41		IP 41	IP 41	

Typetested according to IEC 60947-3
1) Tests run at AC

Powerlosses in SlimLine XR

Size	00	1	2	3
Rated current (A)	160	250	400	630
XRE/M NCT (W)	-	-	112	293
XRE/M (W)	43	78	158	357

The values given include all three phases, but without fuses.

Type of Fuses for XRM BS versions

Current	Fuse Type	Current	Fuse Type	Current	Fuse Type
63 A	A3	250 A	B2	400 A	B4
100 A	A3			630 A	3T Lawson
160 A	00T Lawson				

General Applications and approvals



XR is the new generation switch disconnecter fuse from ABB. ABB has a long history in producing these types of devices, and the first generation was introduced already in 1977.

Areas of applications:

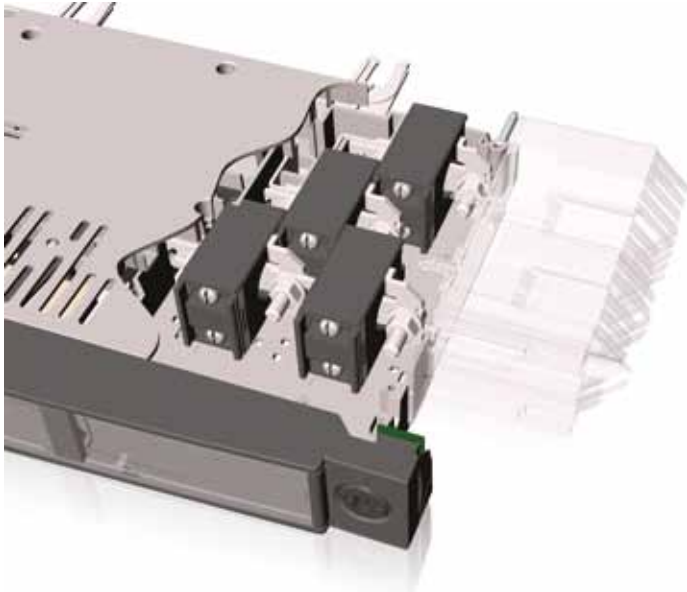
- Motor Control Centers
- Distribution boards
- Building industry
- Shipping
- Oil and gas industries
- Computer centers
- Hospitals
- Airports
- Banks
- Shopping center
- When using emergency power supply



Approvals:

- IEC / EN 60947-3
- CB
- DNV
- GOST R
- CCC

General Advantages and properties

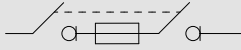


- For horizontal and vertical installation
- Retrofittable integrated 3 phase CT's even up to 4 CT's
- Integrated Motor operation (MOT)
- Intelligent Tier Switch (ITS) for local and remote monitoring
- Electronic Fuse Monitoring (EFM)
- Easy access to Multiplug for all external auxiliary wiring
- Integrated guide rails for safe and easy installation
- Space for cabling up to 2 x 300 mm² at XR 2/3
- Compact design => space saving => total cost saving
- Real position indication
- Modular design
- Developed for plug-in switchboard systems
- Plug in / out from live busbars under voltage
- 3 / 4 pole AC and 2 pole DC version
- Maintenance free
- High degree of personal safety, IP 41
- Available for depth of 200 mm or 400 mm

Apparatus overview

Available XR versions:

XRE



- AC22B at 690 V
- Interruption on both sides of the fuses.

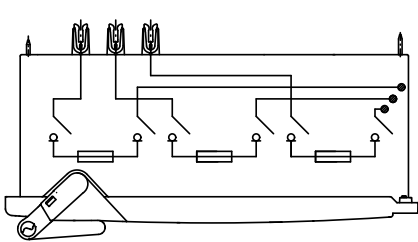
XRM



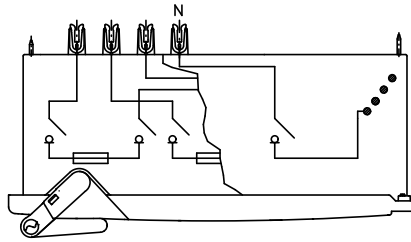
- AC23B at 690 V
- Interruption on both sides of the fuses.

XR is available for the following busbar phase distances

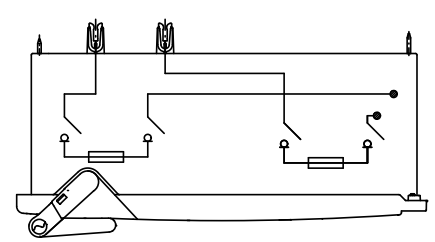
50 mm distance between phases, 5 mm busbar



3 - pole

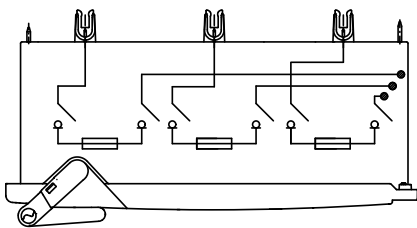


4 - pole

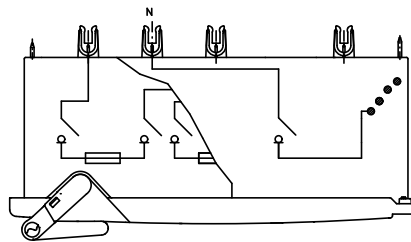


2 - pole DC

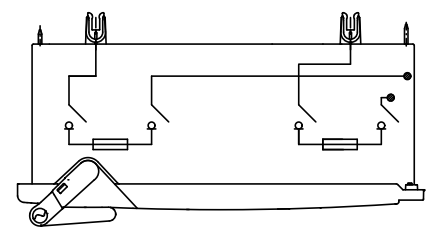
185 mm distance between phases, 10 mm busbar



3 - pole



4 - pole



2 - pole DC

4 Pole version

- The 4th pole neutral switch (N) is located at the top of the XRE 3-pole unit
- The neutral switch is fully rated
- The neutral switch is switched "First in" and "Last out"
- Common cable shroud for the 4th pole (N) for all sizes

2 Pole DC version

- The XRM DC is rated up to 500 V DC



XR 4 pole

Apparatus overview

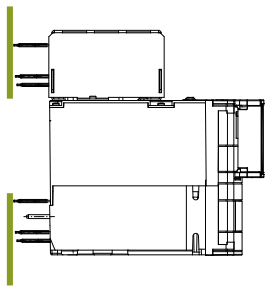
Available XR versions:

XR-SS/SP Busbar Section switch

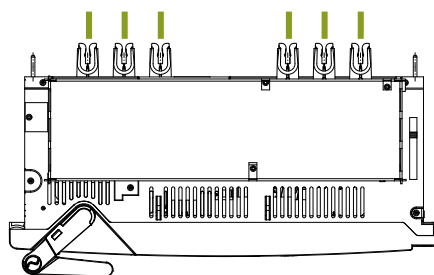
- Disconnecter for NH fuses for connection to two parallel or seriell busbar systems
- Fuse DIN size 3
- AC 23 B, 690V, 630A
- 2 Ventilated blind covers are included



50 mm distance between phases, 5 mm busbar

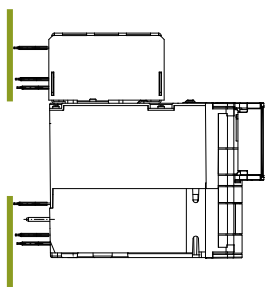


XRM - SS



XR - SP

185 mm distance between phases, 10 mm busbar



XRM - SS

Apparatus overview DIN- and BS version

DIN
XR00 160 A



BS
XR 63 A, 100 A, 160 A

XR1 250 A



XR 250 A

XR2 400 A
XR3 630 A

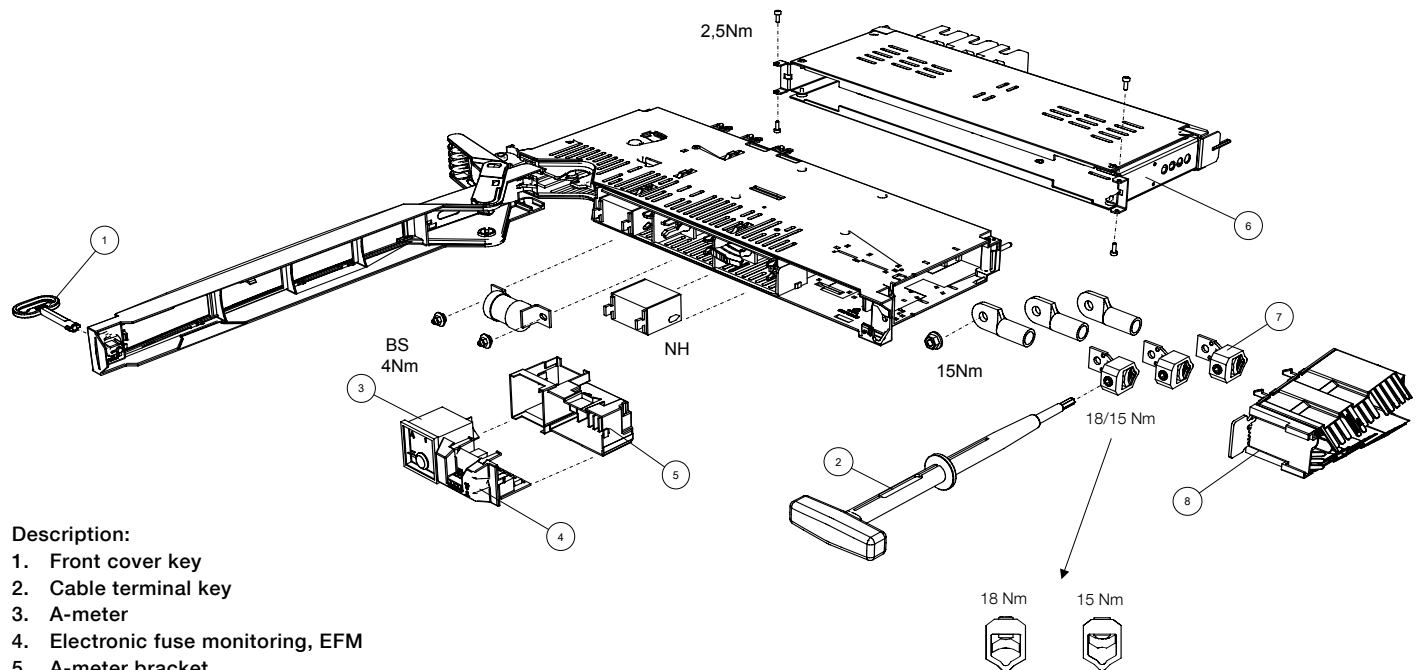


XR 400 A
XR 630 A

Apparatus overview

Assembly

XR00, 160 A

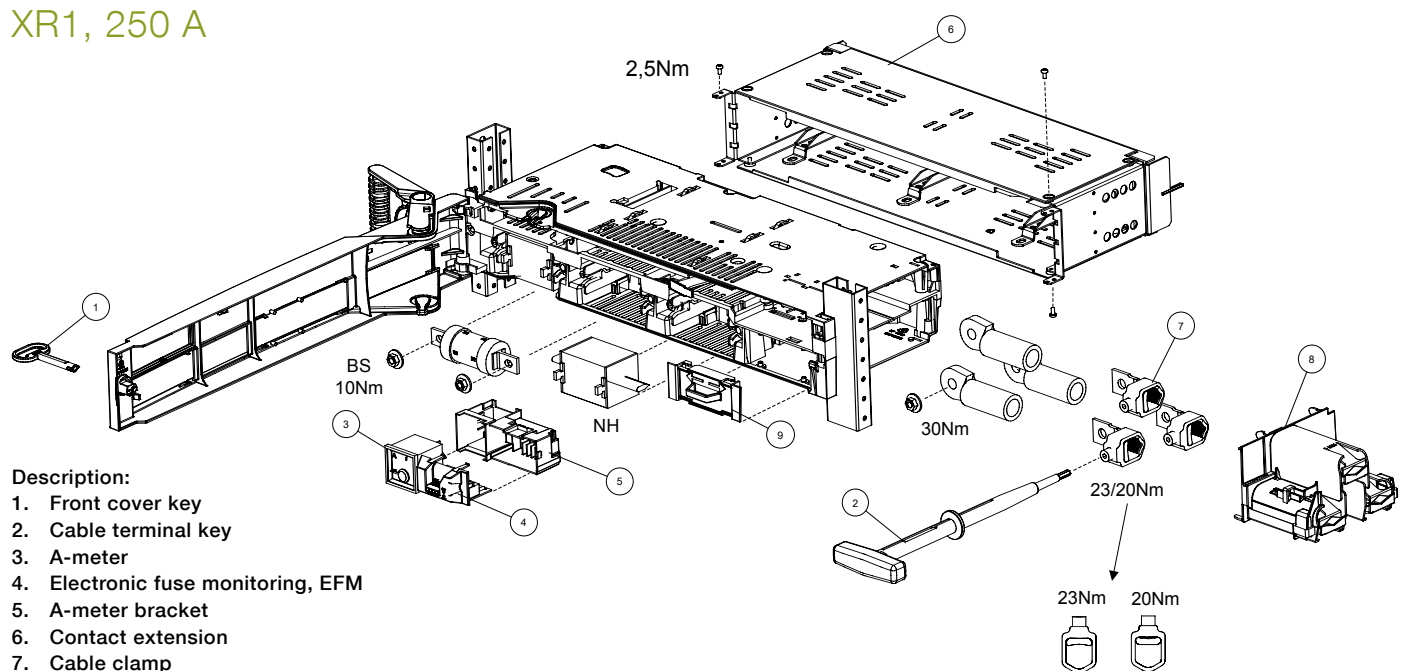


Description:

1. Front cover key
2. Cable terminal key
3. A-meter
4. Electronic fuse monitoring, EFM
5. A-meter bracket
6. Contact extensions
7. Cable clamp
8. Cable terminal shroud

1SEB000271

XR1, 250 A



Description:

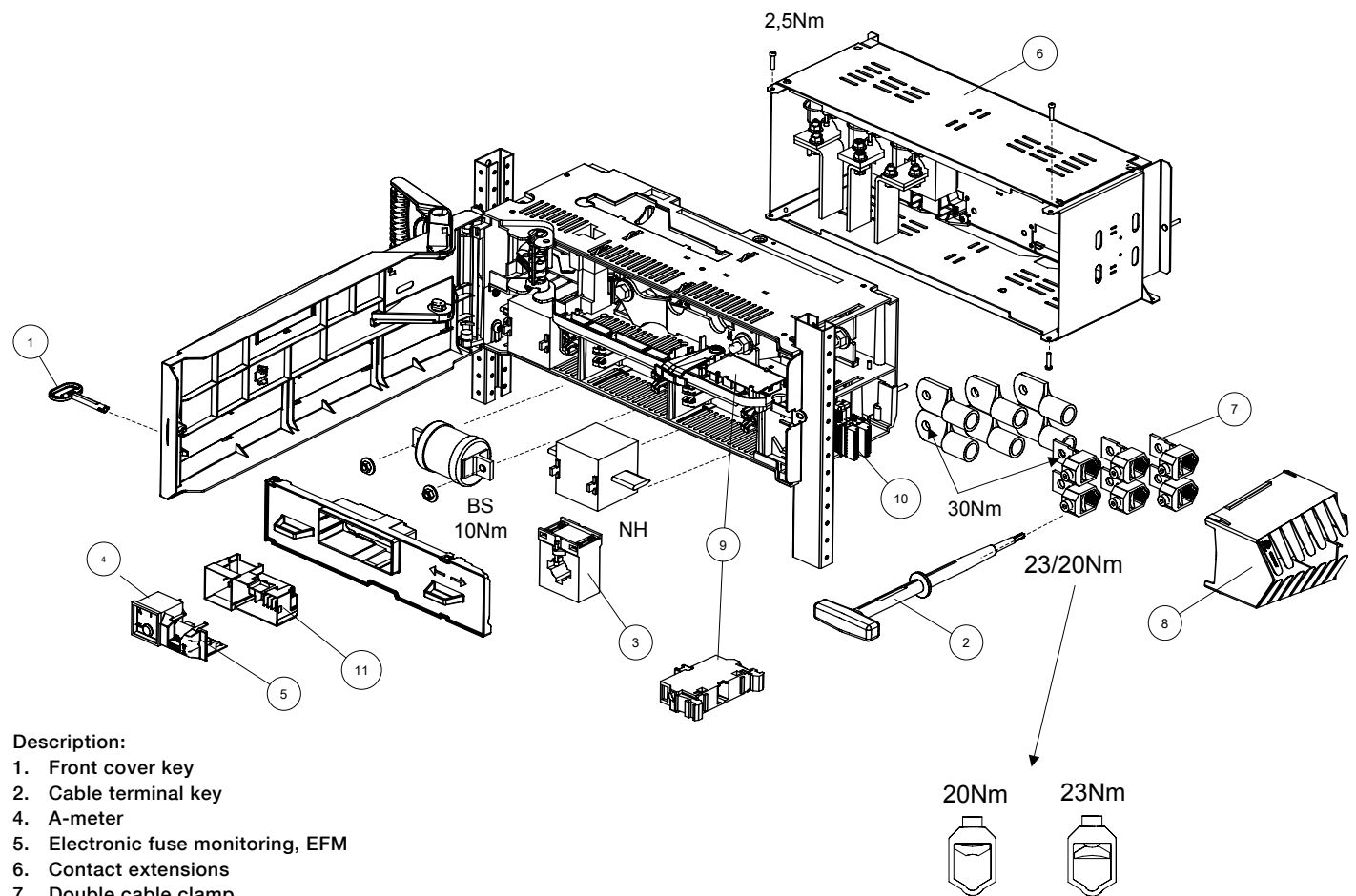
1. Front cover key
2. Cable terminal key
3. A-meter
4. Electronic fuse monitoring, EFM
5. A-meter bracket
6. Contact extension
7. Cable clamp
8. Cable terminal shroud
9. Terminal cover

1SEB000272

Apparatus overview

Assembly

XR2/3, 400-630 A



Description:

1. Front cover key
2. Cable terminal key
4. A-meter
5. Electronic fuse monitoring, EFM
6. Contact extensions
7. Double cable clamp
8. Cable terminal shroud
9. Auxiliary switch
10. Multi plugs
11. A-meter bracket

1SEB000270

Apparatus overview

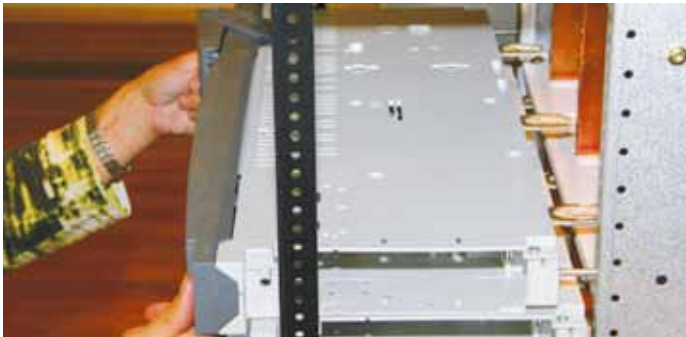
Installation and operation



Plug-in contacts - Fast, easy and safe

Years of experience and development are put into the plug-in contacts used in the XR. The basis for the technology is that the current floats in small spots within the apparent contact point. These spots are named “effective contact areas”. A spring loaded contact achieves a high contact force. This again leads to a high “effective contact area”.

The design of the contact will increase the closing force if a short circuit appears. The use of plug-in contacts at distribution busbars will give easier and faster installation.



Installation

Slide the SlimLine apparatus into the panel until the guide pins fits into the rear profiles and the contact fingers are connected to the busbars. The integrated guide rails will ensure safe, fast and easy installation.



Operation

The XR is operated by moving the operating handle sideways, approx. 90°.

The handle can be folded in both “On” and “Off” position. The true ON / OFF position is shown by the switch indicator in front.



Padlocking the XR

The folded operating handle can be padlocked in OFF position by use of padlocks.



Voltage testing

In the case of voltage testing directly on the live fuses the transparent front window may be opened by using a screw driver to release at the right side of the window.

Apparatus overview

Replacement of the NH fuses in the XR



How to replace NH fuses in a XR 00 that is placed between other XR apparatus in ON position

Switch OFF the XR where the NH fuses shall be replaced and open the frontcover.



The operating handles of the XR's placed above and below can be released by use of a screwdriver and moved to park-position with the XR's still in ON position.



With the operating handles above and below in park-position, there is easy access to the L1 fuse in the XR in the middle.



By use of a NH replacement tool, the NH fuses in the XR 00 in the middle can easily be removed / replaced.

All operating handles at XR 00,1,2 and 3 can be placed into live park-position.

Apparatus overview

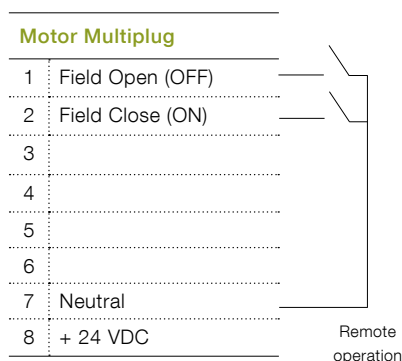
Motor operation (MOT)

SlimLine XR offers an integrated motor for remote and local operation. The motor operation unit is 100% integrated without any changes of external dimensions.

The front operated ON / OFF buttons are shrouded by a transparent cover with padlocking facility.



- The XR MOT is factory fitted for all XR sizes
- The motor unit is 100% integrated in the XR
- The front operated buttons are protected by a transparent front cover with padlock facility
- Local or remote operation
- Prepared for manual emergency operation from the front in case of lost power supply.
- External wiring via the multiplug 8 kit, which is factory fitted



Technical data	XR00 MOT	XR1 MOT	XR2/3 MOT
Operational voltage	24 V DC \pm 2 Volt		
Operational consumption peak value	1,1 A	1,3 A	2,8 A
Signal duration	Min. 0,5 sec. or permanent		
Minimum number of operations	According to IEC / EN 60947-3		

Apparatus overview

Intelligent Tier Switch (ITS)

Monitoring via ModBus

SlimLine XR can be delivered as an Intelligent Tier Switch (ITS) for remote operation and monitoring using Bus communication. All parameters of setting alarm levels can be done via a laptop connected to each SlimLine XR ITS via an USB cable. All the ITS data can be delivered for direct remote monitoring via Modbus RTU from the internal Multiplug at the right hand side of the XR.



Alternative communication via FieldBus plug



For technical details regarding power supply and adapters, please refer to: FBP FieldBusPlug Technical catalogue 2CD-C190022D0202 and ABB SACE document 1SDH000510R0001 EP010 ModBus/FBP Interface User and Operator Manual.

SlimLine XR ITS is an XR with built in current, voltage and temperature sensors.

The XR ITS measures the following:

- Current per phase
- Voltage
- Temperature
- Power Factor
- Power
- Power consumption (kWh)



The XR ITS also monitor the following:

- Switch position
- Fuse status



Based on these data the XR ITS can create alarms if fuses are blown or temperature or currents exceeds the limits configured in the ITS unit.

Apparatus overview

Intelligent Tier Switch (ITS)

XR ITS monitoring via ModBus

The settings in the XR ITS are defined by the ITS software used in a PC linked by an USB cable to the ITS unit. The software is included when ordering XR ITS. The settings can be stored in the software for easy copy and paste into each XR ITS in the switchboard.

Measurement Accuracy	
Energy Metering	Class S1 meter (1% of displayed value)
Current Measurement	Better than 1% of displayed value
Voltage Measurement	Better than 1% of displayed value
Temperature Measurement	± 1°C

EMC	
EMC	According to IEC 60947-2 Annex J and F
ESD	IEC 61000-4-2
RF Field	IEC 61000-4-3
Fast transients/burst	IEC 61000-4-4
Surges	IEC 61000-4-5
Induced RFI	IEC 61000-4-6
Emission RF	CICPR 11 / CICPR 22

Power requirements	
Supply voltage	18 - 30 V DC (typ. 24 V DC)
Power consumption	5 W @ 24 V DC

Environmental Data	
Environmental	According to IEC 60947-2 Annex J and F
Operational ambient temp.	-25 to +55°C
Storage and transport temp.	-40 to +70°C
Dry heat	-40°C, 168 h
Damp heat	IEC 60068-2-30 (upper temp. +55°C, 6 cycles)
Temperature cycling	IEC 60068-2-14 (-25 to +55°C, 28 cycles)



Apparatus overview

Electronic Fuse Monitoring (EFM)

The SlimLine XR EFM gives an alarm if any fault conditions if a fuse is blown.

An internal potential free relay (1 NC + 1 NO) will trip to transmit a signal for a remote fuse blown alarm.

The EFM unit is self supplied, which means no additional power supply is required.

- The green LED in the front panel indicates all fuses OK.
- The red LED will turn on if one or more fuses are blown.

The EFM will automatically be reset after the blown fuse has been replaced, and the green LED will switch on again.

The XR with EFM is delivered from the factory with Multiplug 8 included for external wiring.



The matrix below shows all possible cases of indication

Fuse status	Relay contacts	
	Green LED	Red LED
1. XR in ON position		
Fuses OK	●	●
Fuses BLOWN	●	●
2. XR in OFF position		
Fuses OK	●	●
Fuses BLOWN	●	●

Power supply to the EFM unit from phase L2 and L3

Technical data:	
Minimum operation voltage	340V
Maximum operation voltage	770V
Uimp. over a blown fuse	12,3kV
Uimp. between phases	9,8kV
Uimp. between main circuit / relay contacts	9,8kV
Dielectric test voltage input / output	3,5kV / 50Hz / 1 minute
Electrostatic Discharge	EN 61000-4-2 ± 4kV
Electrical Fast Transient	EN 61000-4-4 ± 2kV
Conducted Fast Transient	EN 61000-4-6 10Vrms / 150kHz - 80MHz
Recommended cable size	AWG 22-12/0,2-2,5mm ²
MTBF	1.103.137 hours at 80°C
Relay:	
Nominal current	8A
Maximum switching voltage	240VAC, 24VDC

EFM Multiplug	
1	
2	
3	Aux. Relais NO
4	Aux. Relais NO
5	Aux. Relais NC
6	Aux. Relais NC
7	
8	



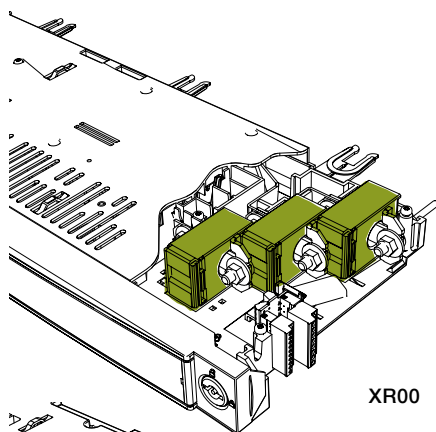
Accessories

Current metering 1 phase or 3 phase

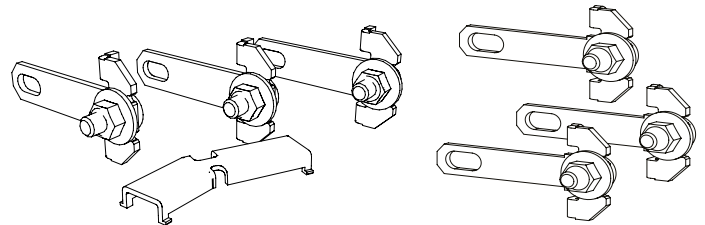
Current transformer

In all the XR's it is possible to install current transformers for 1 or 3 phases. By using 3 CT's intergated in the XR apparatus body, it is possible to monitor kW and kWh by connection to a remote kWh meter. It is also possible to install even a 4'th CT, still totally integrated within the body of the XR.

As an option, the CT's can also be installed in the contact extension. Please study the complete overview on page 39 and 40.

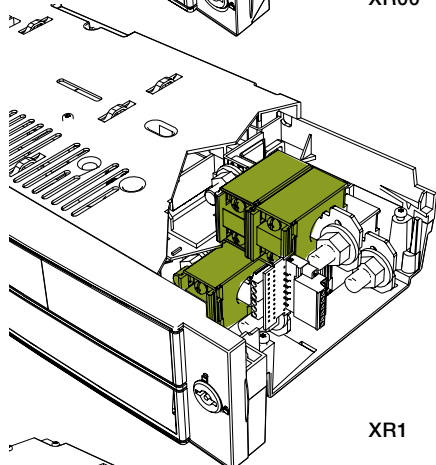


XR00 terminal extensions for CT's has to be ordered separately.

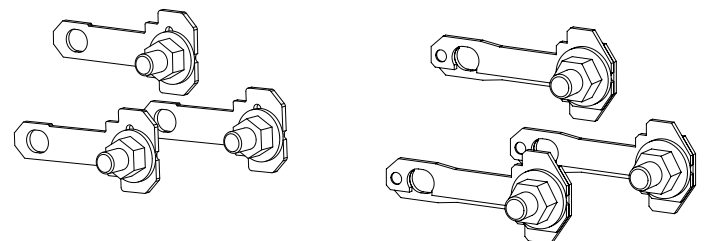


for CT, type ASR 20.3

for CT, type ASR 14.3 (Ø=14mm)

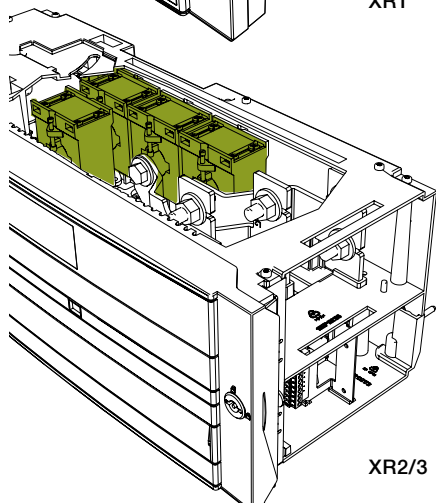


XR1 terminal extensions for CT's has to be ordered separately.



for CT, type ASR 20.3

for CT, type EAS 176.3 (Ø=17mm)

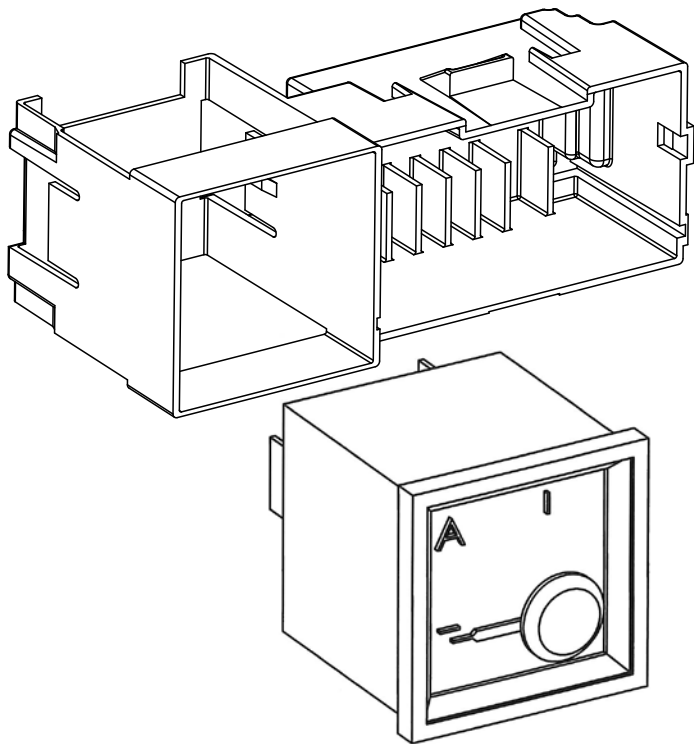


XR2/3 has integrated extensions from the factory prepared for the CT's.

XR2/3 NCT (No CT) is a price optimized variant not prepared for CT installation.

Accessories

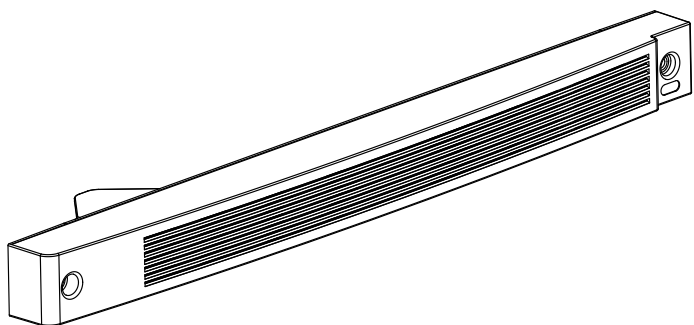
Ammeter, ventilated blind cover and guide rails



Ammeter

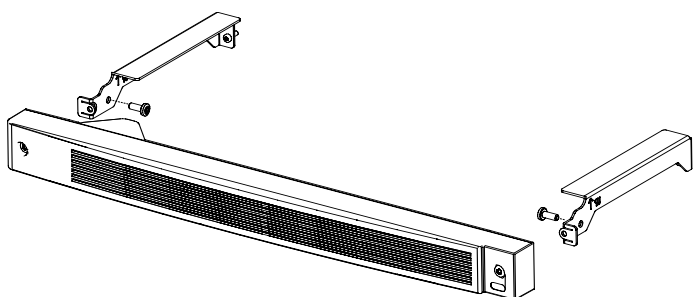
Ammeter DIN 48x48 with maximum indication may be fitted into each XR.

An additional ammeter bracket 1SEP408519R0001 is required for all XR sizes.



Ventilated blind cover

The blind cover is 50 mm high. The ventilation ribs give an IP41 protection degree. The kit include fixing brackets and screws.

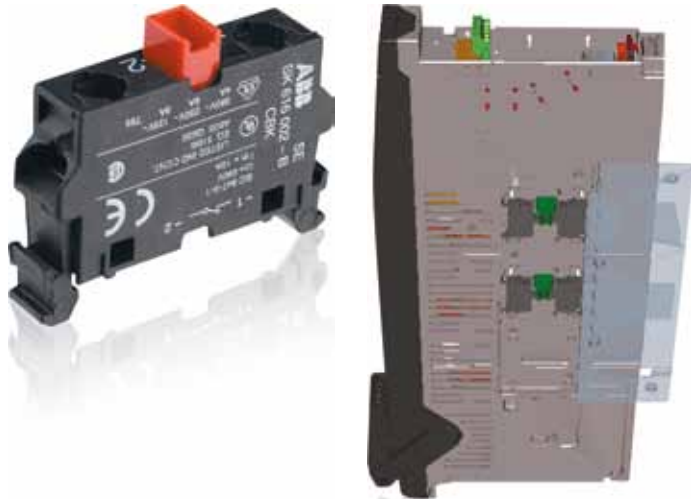


Guide rails

The guide rails can be integrated in the switchboard to support the installation of the XR apparatus first installed at the bottom side of the switchboard. The ventilated blind cover can be fixed directly to the front fixing brackets. (To be ordered separately).

Accessories

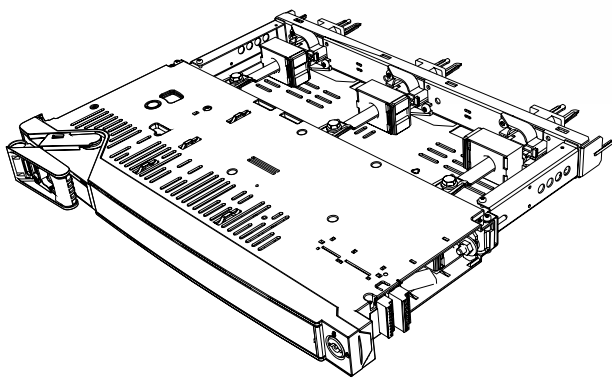
Auxiliary contacts, contact extension and service module



Auxiliary contacts

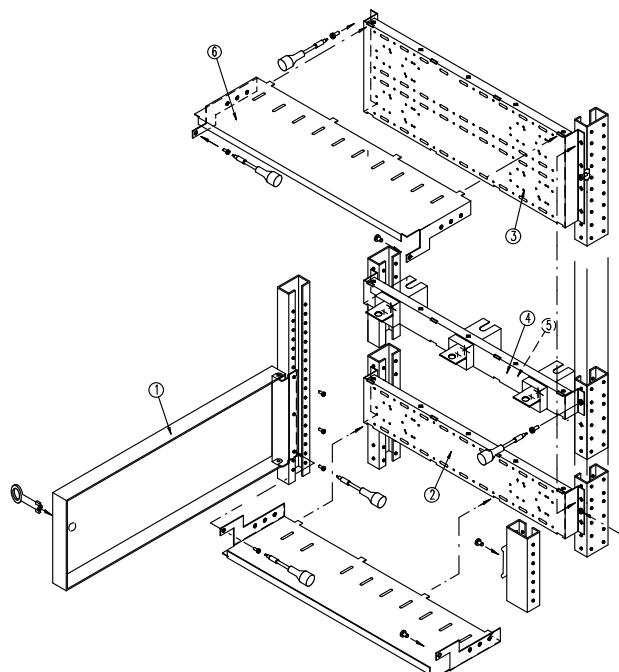
Up to 4 auxiliary contacts can be installed in the XR. The first NO or NC auxiliary switch can be ordered as a kit including screws needed and protection shroud. Multiplug is not included.

Auxiliary no 2,3,4 can be ordered as single auxiliary switches. The wiring is done via the multiplug.



Contact extension

The contact extension is an adapter to be used in special applications when the total depth from the front of the switchboard to the busbars is 400 mm. For example in combination with Motor Control Centres. Standard depth of an XR apparatus is 200 mm. The contact extension is available for 50 mm and 185 mm busbar distances, 3 pole, 4 pole and 2 pole DC.



Service module

The service module allows you to create a separate installation e.g. contactors, MCBs etc. within the SlimLine cassette.

1. Front door delivered with hinges and lock H: 100, 200, 300, 400
- 2/3. Assembly plate, predrilled, H: 100 – 400 mm
4. Busbar connection module 400A 185 mm
6. Segregation plates 2 pcs

Accessories

Multiplugs

Multiplugs are available for all external wiring for auxiliary contacts, CT's, EFM, Motor and ITS. This ensures easy plug-in and plug-out of the XR without having to redo the wiring. The multiplugs with screws are for extra safety especially when

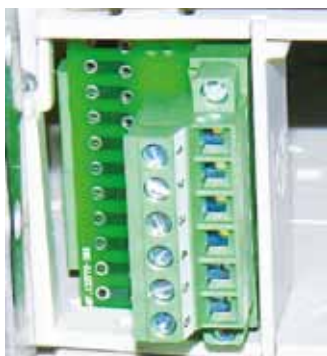
using CT's. The multiplugs can be ordered as accessories for easy assembly. For EFM, Motor and ITS the multiplug is factory fitted.

The multiplugs are available as follows:

Ref.	Size	Description	for cable size [mm ²]	Order code
1	XR 00/1	Multiplug 6 kit f. CT's w. screws	6x2,5	1SEP408512R0001
2	XR 00/1	Multiplug 8 kit f. CT's	8x2,5	1SEP408510R0001
3	XR 00/1	Multiplug 18 kit f. CT's and aux. sw.	8x2,5 + 10x1,5	1SEP408511R0001
	XR 2/3	Multiplug 8 kit f. CT's w. screws	8x2,5	1SEP408515R0001
	XR 2/3	Multiplug 8 kit f. CT's	8x2,5	1SEP408513R0001
4	XR 2/3	Multiplug 20 kit f. CT's and aux. sw.	8x2,5 + 12x1,5	1SEP408514R0001

Proposal of terminal allocations at the XR multiplugs.

Current transformer		Auxiliary switch	
1	CT no. 1	1	Aux. switch NO no. 1
2	CT no. 1	2	Aux. switch NO no. 1
3	CT no. 2	3	Aux. switch NC no. 2
4	CT no. 2	4	Aux. switch NC no. 2
5	CT no. 3	5	Aux. switch NO no. 3
6	CT no. 3	6	Aux. switch NO no. 3
7		7	Aux. switch NC no. 4
8		8	Aux. switch NC no. 4



Ref. 1



Ref. 2



Ref. 3



Ref. 4


Accessories

Multiplugs

Multiplug terminal for EFM and Motor

EFM	
1	
2	
3	Aux. Relay NO
4	Aux. Relay NO
5	Aux. Relay NC
6	Aux. Relay NC
7	
8	

Motor	
1	Field Open (OFF)
2	Field Close (ON)
3	
4	
5	
6	
7	Neutral
8	+ 24 V DC

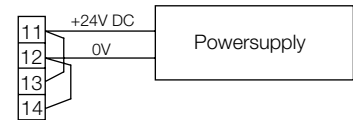


Motor - EFM	
1	Field Open
2	Field Close
3	Aux. Relay NO
4	Aux. Relay NO
5	Aux. Relay NC
6	Aux. Relay NC
7	Neutral
8	+ 24 V DC

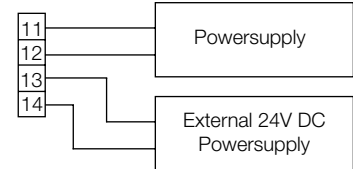
Multiplug terminal for ITS

ITS			
11	+24V DC	Earth fault transformer	1
12	0V	Earth fault transformer	2
13	24V Ext.	Digital Out common	3
14	0V Ext.	Digital Out 1	4
15	Field Open (*)	Digital Out 2	5
16	Field Close (*)	0V (RS-485)	6
17	Field Enable (*)	Modbus RS-485 RS+	7
18	0V Ext.	Modbus RS-485 RS-	8
19	Reserved for future use	Digital Input (*)	9
20	0V Ext.	0V Ext.	10

Optocouplers supplied by internal 24V DC supply



Optocouplers supplied by external 24V DC supply



(*) These terminals are protected by means of optocoupler inputs. Powersupply for the optocouplers can be either internal 24V DC, or external (24V DC Ext.) 24V DC powersupply.

For internal powersupply, terminal 11 must be jumped to terminal 13 and terminal 12 must be jumped to terminal 14.



XR00 - multiplug 8 kit



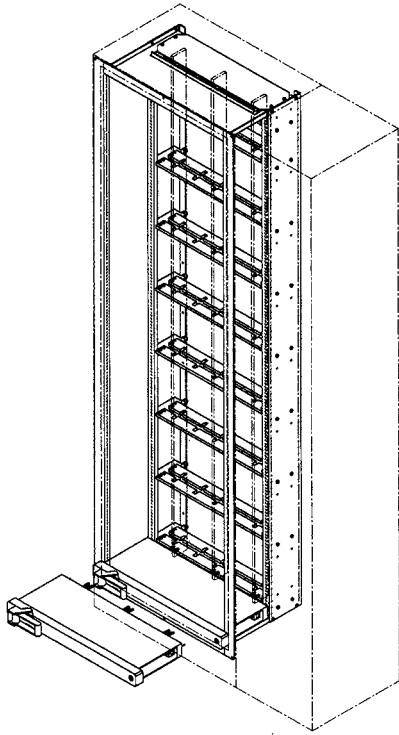
XR1 - multiplug 6 kit with screws



XR2/3 - multiplug 20 kit

Accessories

Cassette and busbar cover kit

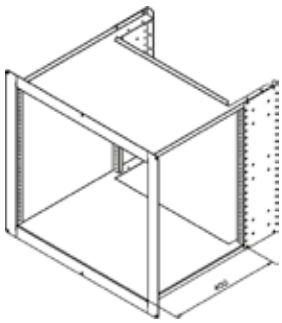


SlimLine Cassette

The SlimLine cassette is a complete steel framework with busbar supports. It is used as a framework for easy installation of the SlimLine product range into switchgear systems which do not accept the SlimLine directly.

Facts about the SlimLine cassette:

- Available in 4 sizes:
 - Height = 500 mm, max 10 pcs. 00-devices
 - Height = 1000 mm, max 20 pcs. 00-devices
 - Height = 1500 mm, max 30 pcs. 00-devices
 - Height = 2000 mm, max 40 pcs. 00-devices
- Supplied as a flat package without busbars
- Easy and fast assembly using self tapping screws
- For vertical or horizontal installation
- Aluzink coated profiles
- Front profiles as well as top- and bottom plates are black
- Extendable in the busbar direction
- Type tested busbar system
- 65 kA 10 x 40 -> 100 mm cu-busbars
- 3- and 4-pole solutions
- Available for 185 mm busbar distance



IP 20 busbar cover kit

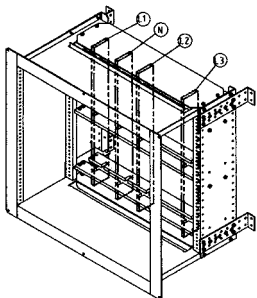
Kit with busbar covers for IP 20 degree of protection. These can be snapped directly into the cassette.

Kit for 400 mm depth

In order to extend the normal depth of 200 mm in a standard cassette to 400 mm, a special 400 mm extra top and bottom unit is available for replacing the standard top and bottom units.

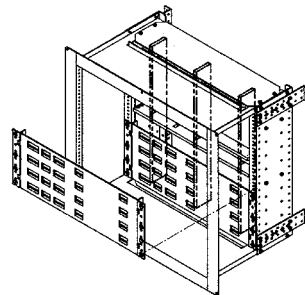
Two (2) units are required as replacements in one cassette.

Order code 1SEP102079P0001 for 1 unit.



Cassette for 185 mm busbar distance 3- and 4-pole

H = 500 mm	1SEP102223R0001
H = 1000 mm	1SEP102223R0002
H = 1500 mm	1SEP102223R0003
H = 2000 mm	1SEP102223R0004

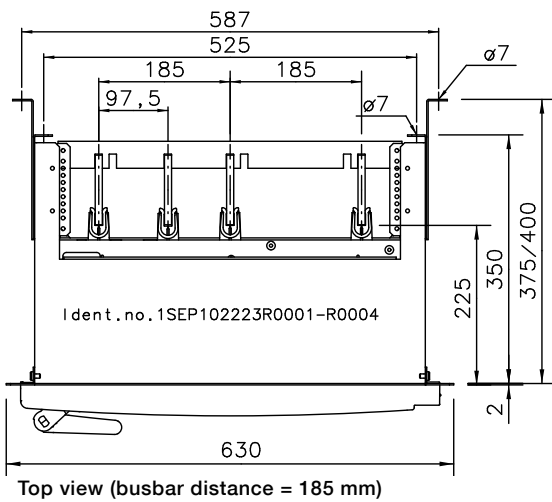
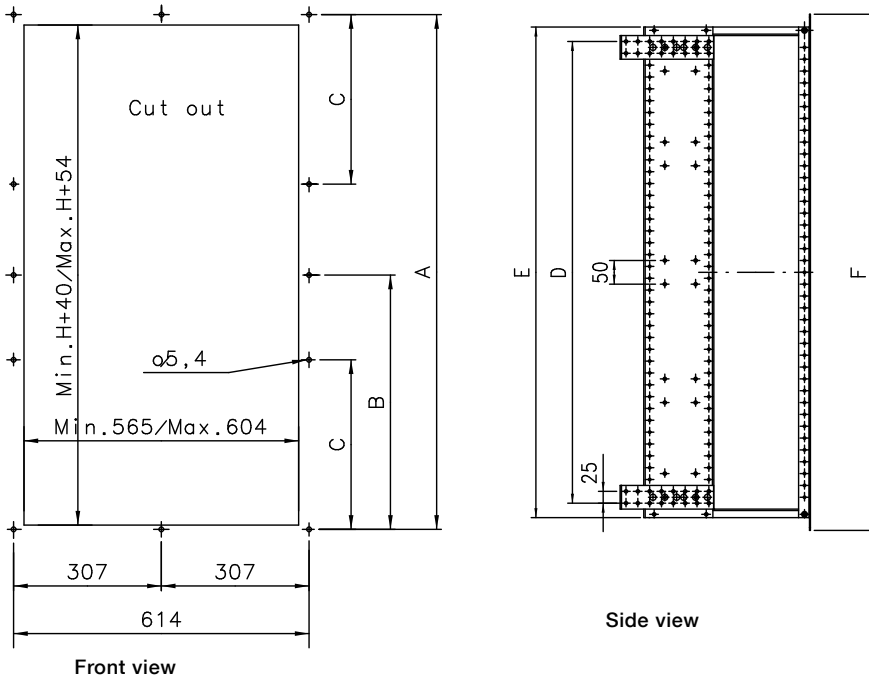


IP20 busbar cover kit Universal 3- and 4-pole, 185 mm

Kit for:	H = 500 mm	NHP 407062R0001
	H = 1000 mm	NHP 407062R0002
	H = 1500 mm	NHP 407062R0003
	H = 2000 mm	NHP 407062R0004

Accessories Cassette

SlimLine Cassette



H	A	B	C	D	E	F
500	574	-	-	475	536	590
1000	1074	-	358	975	1036	1090
1500	1574	-	525	1475	1536	1590
2000	2074	1037	520	1975	2036	2090

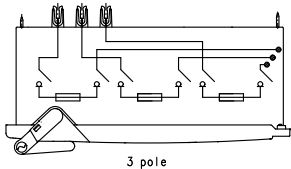
Rated current for the busbars

CU-profile (mm)	Max current* (A)	Short circuit current (kA) rms 1 sec.	Rated Voltage (V)
10 x 40	715	65	690
10 x 50	852	65	690
10 x 60	985	65	690
10 x 80	1240	65	690
10 x 100	1490	65	690

* All values at 35°C ambient temperature and busbar temperature of 65°C.

Ordering tables

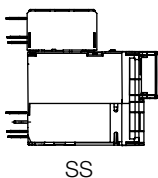
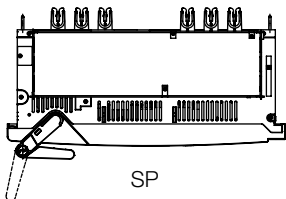
50 mm busbar distance



SlimLine XR Switch disconnecter fuse - 50 mm busbar distance

Number of poles	Rated operation current (A)	Type Designation	Order code	Weight (Kg)
3	160	XRE00-50-3P	1SEP102240R1100	3,63
3	250	XRE1-50-3P	1SEP102241R1100	6,75
3	400	XRE2-50-3P	1SEP102242R1100	15,00
3	400	XRE2-50-3P-NCT *)	1SEP102242R1500	14,74
3	630	XRE3-50-3P	1SEP102243R1100	15,36
3	630	XRE3-50-3P-NCT *)	1SEP102243R1500	15,10
3	160	XRM00-50-3P	1SEP102240R1300	3,63
3	250	XRM1-50-3P	1SEP102241R1300	6,75
3	400	XRM2-50-3P	1SEP102242R1300	15,00
3	400	XRM2-50-3P-NCT *)	1SEP102242R1600	14,74
3	630	XRM3-50-3P	1SEP102243R1300	15,36
3	630	XRM3-50-3P-NCT *)	1SEP102243R1600	15,10
3	160	XRM00-50-3P-EFM	1SEP102240R1301	3,63
3	250	XRM1-50-3P-EFM	1SEP102241R1301	6,75
3	400	XRM2-50-3P-EFM	1SEP102242R1301	15,00
3	400	XRM2-50-3P-NCT-EFM *)	1SEP102242R1601	14,74
3	630	XRM3-50-3P-EFM	1SEP102243R1301	15,36
3	630	XRM3-50-3P-NCT-EFM *)	1SEP102243R1601	15,10
3	160	XRM00-50-3P-MOT	1SEP102240R1302	3,94
3	250	XRM1-50-3P-MOT	1SEP102241R1302	7,06
3	400	XRM2-50-3P-MOT	1SEP102242R1302	15,31
3	630	XRM3-50-3P-MOT	1SEP102243R1302	15,67
3	160	XRM00-50-3P-MOT-EFM	1SEP102240R1303	4,10
3	250	XRM1-50-3P-MOT-EFM	1SEP102241R1303	7,18
3	400	XRM2-50-3P-MOT-EFM	1SEP102242R1303	15,43
3	630	XRM3-50-3P-MOT-EFM	1SEP102243R1303	45,79
3	160	XRM00-50-3P-ITS	1SEP102240R1304	4,73
3	250	XRM1-50-3P-ITS	1SEP102241R1304	7,90
3	400	XRM2-50-3P-ITS	1SEP102242R1304	16,50
3	630	XRM3-50-3P-ITS	1SEP102243R1304	17,10
3	160	XRM00-50-3P-ITS-EFM	1SEP102240R1305	5,04
3	250	XRM1-50-3P-ITS-EFM	1SEP102241R1305	8,20
3	400	XRM2-50-3P-ITS-EFM	1SEP102242R1305	16,10
3	630	XRM3-50-3P-ITS-EFM	1SEP102243R1305	17,37

*) Not prepared for CT's

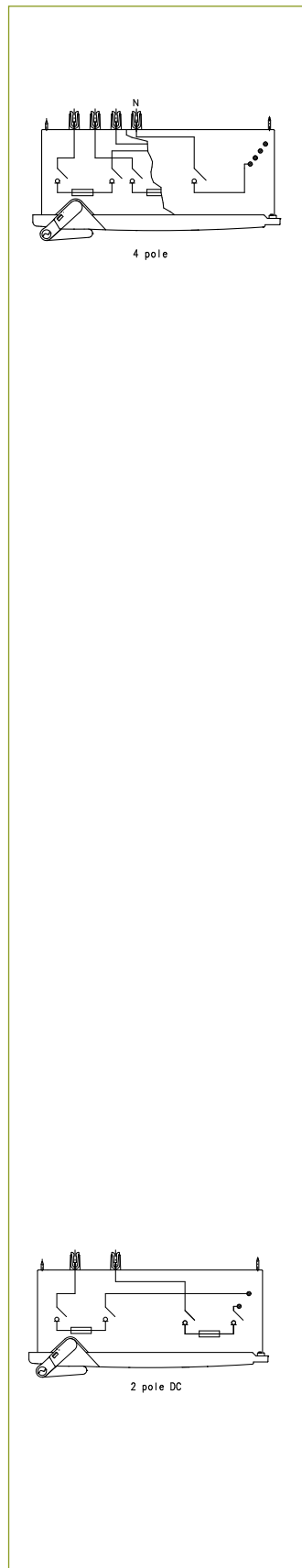


SlimLine XR Bus section switch - 50 mm busbar distance

Number of poles	Rated operation current (A)	Type Designation	Order code	Weight (Kg)
3	630	XRM3-50-3P-SP	1SEP102243R1360	16,6
3	630	XRM3-50-3P-SS	1SEP102243R1370	16,6

Ordering tables

50 mm busbar distance



SlimLine XR Switch disconnecter fuse - 50 mm busbar distance

Number of poles	Rated operation current (A)	Type Designation	Order code	Weight (Kg)
4	160	XRE00-50-4P	1SEP102240R1400	4,16
4	250	XRE1-50-4P	1SEP102241R1400	7,15
4	400	XRE2-50-4P	1SEP102242R1400	16,19
4	400	XRE2-50-4P-NCT *)	1SEP102242R1700	15,83
4	630	XRE3-50-4P	1SEP102243R1400	16,78
4	630	XRE3-50-4P-NCT *)	1SEP102243R1700	16,20
4	160	XRE00-50-4P-EFM	1SEP102240R1401	4,27
4	250	XRE1-50-4P-EFM	1SEP102241R1401	7,27
4	400	XRE2-50-4P-EFM	1SEP102242R1401	16,30
4	400	XRE2-50-4P-NCT-EFM *)	1SEP102242R1701	15,94
4	630	XRE3-50-4P-EFM	1SEP102243R1401	16,89
4	630	XRE3-50-4P-NCT-EFM *)	1SEP102243R1701	16,31
4	160	XRE00-50-4P-MOT	1SEP102240R1402	4,47
4	250	XRE1-50-4P-MOT	1SEP102241R1402	7,46
4	400	XRE2-50-4P-MOT	1SEP102242R1402	16,50
4	630	XRE3-50-4P-MOT	1SEP102243R1402	16,50
4	160	XRE00-50-4P-MOT-EFM	1SEP102240R1403	4,60
4	250	XRE1-50-4P-MOT-EFM	1SEP102241R1403	7,58
4	400	XRE2-50-4P-MOT-EFM	1SEP102242R1403	16,61
4	630	XRE3-50-4P-MOT-EFM	1SEP102243R1403	16,62
4	160	XRE00-50-4P-ITS	1SEP102240R1404	5,26
4	250	XRE1-50-4P-ITS	1SEP102241R1404	8,30
4	400	XRE2-50-4P-ITS	1SEP102242R1404	17,69
4	630	XRE3-50-4P-ITS	1SEP102243R1404	18,48
4	160	XRE00-50-4P-ITS-EFM	1SEP102240R1405	5,56
4	250	XRE1-50-4P-ITS-EFM	1SEP102241R1405	8,60
4	400	XRE2-50-4P-ITS-EFM	1SEP102242R1405	18,00
4	630	XRE3-50-43P-ITS-EFM	1SEP102243R1405	18,79

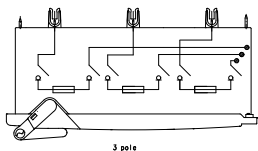
*) Not prepared for CT's

SlimLine XR Switch disconnecter fuse - 50 mm busbar distance

Number of poles	Rated operation current (A) DC23B (230V) DC21B (500V)	Type Designation	Order code	Weight (Kg)
2	160	XRE00-50-DC	1SEP102240R1200	3,33
2	250	XRE1-50-DC	1SEP102241R1200	6,25
2	400	XRE2-50-DC	1SEP102242R1200	13,10
2	630	XRE3-50-DC	1SEP102243R1200	13,46
2	160	XRE00-50-DC-MOT	1SEP102240R1202	3,64
2	250	XRE1-50-DC-MOT	1SEP102241R1202	6,56
2	400	XRE2-50-DC-MOT	1SEP102242R1202	13,41
2	630	XRE3-50-DC-MOT	1SEP102243R1202	13,77

Ordering tables

185 mm busbar distance



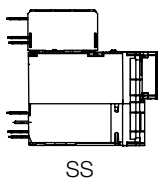
SlimLine XR switch disconnecter fuse - 185 mm busbar distance

Number of poles	Rated operation current (A)	Type Designation	Order code	Weight (Kg)
3	160	XRE00-185-3P	1SEP102240R3100	3,63
3	250	XRE1-185-3P	1SEP102241R3100	6,75
3	400	XRE2-185-3P	1SEP102242R3100	15,00
3	400	XRE2-185-NCT-3P ¹⁾	1SEP102242R3500	14,74
3	630	XRE3-185-3P	1SEP102243R3100	15,36
3	630	XRE3-185-NCT-3P ¹⁾	1SEP102243R3500	15,10

SlimLine XR switch disconnecter fuse - 185 mm busbar distance

Number of poles	Rated operation current (A)	Type Designation	Order code	Weight (Kg)
3	160	XRM00-185-3P	1SEP102240R3300	3,63
3	250	XRM1-185-3P	1SEP102241R3300	6,75
3	400	XRM2-185-3P	1SEP102242R3300	15,00
3	400	XRM2-185-NCT-3P ¹⁾	1SEP102242R3600	14,74
3	630	XRM3-185-3P	1SEP102243R3300	15,36
3	630	XRM3-185-NCT-3P ¹⁾	1SEP102243R3600	15,10
3	160	XRM00-185-3P-EFM	1SEP102240R3301	3,63
3	250	XRM1-185-3P-EFM	1SEP102241R3301	6,75
3	400	XRM2-185-3P-EFM	1SEP102242R3301	15,00
3	400	XRM2-185-3P-NCT-EFM ¹⁾	1SEP102242R3601	14,74
3	630	XRM3-185-3P-EFM	1SEP102243R3301	15,36
3	630	XRM3-185-3P-NCT-EFM ¹⁾	1SEP102243R3601	15,10
3	160	XRM00-185-3P-MOT	1SEP102240R3302	3,94
3	250	XRM1-185-3P-MOT	1SEP102241R3302	7,06
3	400	XRM2-185-3P-MOT	1SEP102242R3302	15,31
3	630	XRM3-185-3P-MOT	1SEP102243R3302	15,67
3	160	XRM00-185-3P-MOT-EFM	1SEP102240R3303	4,10
3	250	XRM1-185-3P-MOT-EFM	1SEP102241R3303	7,18
3	400	XRM2-185-3P-MOT-EFM	1SEP102242R3303	15,43
3	630	XRM3-185-3P-MOT-EFM	1SEP102243R3303	45,79
3	160	XRM00-185-3P-ITS	1SEP102240R3304	4,73
3	250	XRM1-185-3P-ITS	1SEP102241R3304	7,90
3	400	XRM2-185-3P-ITS	1SEP102242R3304	16,50
3	630	XRM3-185-3P-ITS	1SEP102243R3304	17,10
3	160	XRM00-185-3P-ITS-MOT	1SEP102240R3305	5,04
3	250	XRM1-185-3P-ITS-MOT	1SEP102241R3305	8,20
3	400	XRM2-185-3P-ITS-MOT	1SEP102242R3305	16,10
3	630	XRM3-185-3P-ITS-MOT	1SEP102243R3305	17,37

1) Not prepared for CT's

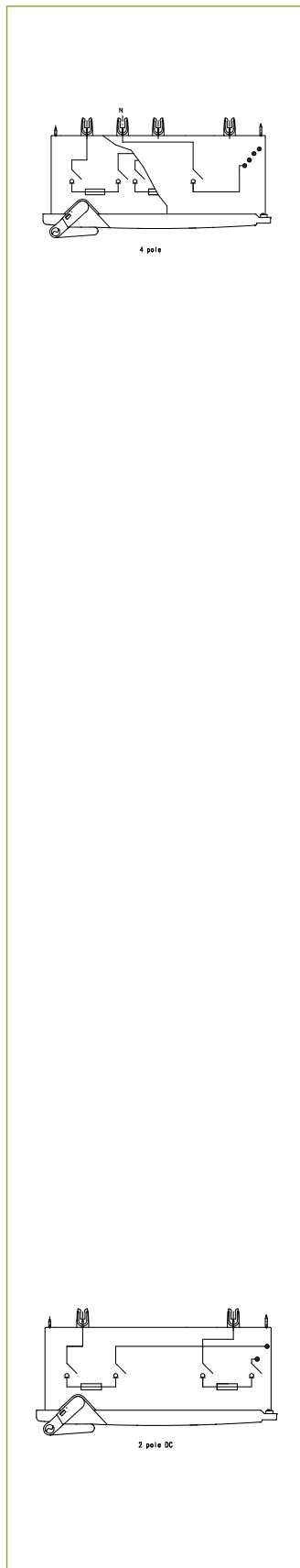


SlimLine XR bus section switch - 185 mm busbar distance

Number of poles	Rated operation current (A)	Type Designation	Order code	Weight (Kg)
3	630	XRM3-185-3P-SS	1SEP102243R3370	16,6

Ordering tables

185 mm busbar distance



SlimLine XR switch disconnecter fuse - 185 mm busbar distance

Number of poles	Rated operation current (A)	Type Designation	Order code	Weight (Kg)
4	160	XRE00-185-4P	1SEP102240R3400	4,10
4	250	XRE1-185-4P	1SEP102241R3400	7,15
4	400	XRE2-185-4P	1SEP102242R3400	16,19
4	400	XRE2-185-NCT-4P ¹⁾	1SEP102242R3700	15,83
4	630	XRE3-185-4P	1SEP102243R3400	16,78
4	630	XRE3-185-NCT-4P ¹⁾	1SEP102243R3700	16,20
4	160	XRE00-185-4P-EFM	1SEP102240R3401	4,27
4	250	XRE1-185-4P-EFM	1SEP102241R3401	7,27
4	400	XRE2-185-4P-EFM	1SEP102242R3401	16,30
4	400	XRE2-185-4P-NCT-EFM ¹⁾	1SEP102242R3701	15,94
4	630	XRE3-185-4P-EFM	1SEP102243R3401	16,89
4	630	XRE3-185-4P-NCT-EFM ¹⁾	1SEP102243R3701	16,31
4	160	XRE00-185-4P-MOT	1SEP102240R3402	4,47
4	250	XRE1-185-4P-MOT	1SEP102241R3402	7,46
4	400	XRE2-185-4P-MOT	1SEP102242R3402	16,50
4	630	XRE3-185-4P-MOT	1SEP102243R3402	16,50
4	160	XRE00-185-4P-MOT-EFM	1SEP102240R3403	4,60
4	250	XRE1-185-4P-MOT-EFM	1SEP102241R3403	7,58
4	400	XRE2-185-4P-MOT-EFM	1SEP102242R3403	16,61
4	630	XRE3-185-4P-MOT-EFM	1SEP102243R3403	16,62
4	160	XRE00-185-4P-ITS	1SEP102240R3404	5,26
4	250	XRE1-185-4P-ITS	1SEP102241R3404	8,30
4	400	XRE2-185-4P-ITS	1SEP102242R3404	17,69
4	630	XRE3-185-4P-ITS	1SEP102243R3404	18,48
4	160	XRE00-185-4P-ITS-MOT	1SEP102240R3405	5,56
4	250	XRE1-185-4P-ITS-MOT	1SEP102241R3405	8,60
4	400	XRE2-185-4P-ITS-MOT	1SEP102242R3405	18,00
4	630	XRE3-185-4P-ITS-MOT	1SEP102243R3405	18,79

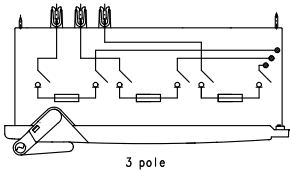
1) Not prepared for CT's

SlimLine XR switch disconnecter fuse - 185 mm busbar distance

Number of poles	Rated operation current (A) DC23B (230V) DC21B (500V)	Type Designation	Order code	Weight (Kg)
2	160	XRM0-185-DC	1SEP102240R3200	3,33
2	250	XRM1-185-DC	1SEP102241R3200	6,25
2	400	XRM2-185-DC	1SEP102242R3200	13,10
2	630	XRM3-185-DC	1SEP102243R3200	13,46
2	160	XRM0-185-DC-MOT	1SEP102240R3202	3,64
2	250	XRM1-185-DC-MOT	1SEP102241R3202	6,56
2	400	XRM2-185-DC-MOT	1SEP102242R3202	13,41
2	630	XRM3-185-DC-MOT	1SEP102243R3202	13,77

Ordering tables

50 mm busbar distance (BS)



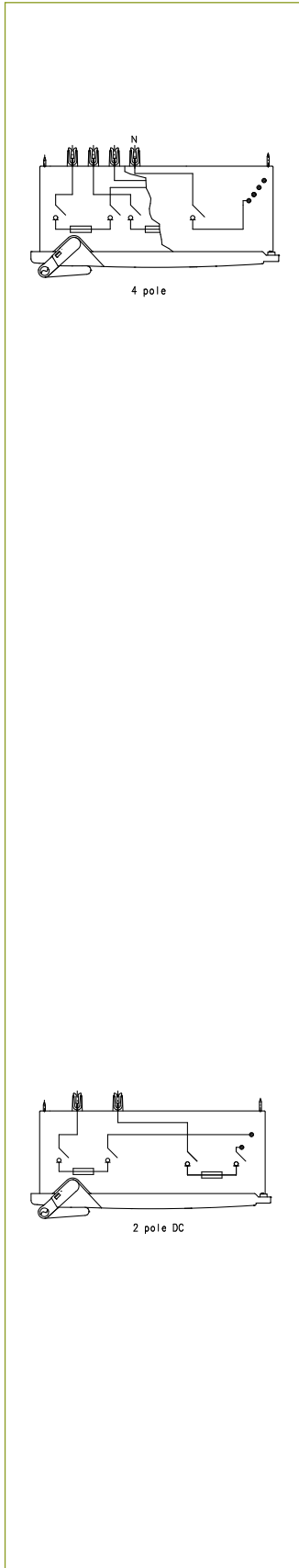
SlimLine XR Switch disconnecter fuse - 50 mm busbar distance,
British standard version (BS)

Number of poles	Rated operation current (A)	Type Designation	Order code	Weight (Kg)
3	63	XRM63BS-50-3P	1SEP102244R1300	3,60
3	100	XRM100BS-50-3P	1SEP102245R1300	3,60
3	160	XRM160BS-50-3P	1SEP102246R1300	3,60
3	250	XRM250BS-50-3P	1SEP102247R1300	6,80
3	400	XRM400BS-50-3P	1SEP102248R1300	14,80
3	400	XRM400BS-50-3P-NCT ¹⁾	1SEP102248R1600	14,50
3	630	XRM630BS-50-3P	1SEP102249R1300	15,00
3	630	XRM630BS-50-3P-NCT ¹⁾	1SEP102249R1600	14,80
3	160	XRM160BS-50-3P-EFM	1SEP102246R1301	3,60
3	250	XRM250BS-50-3P-EFM	1SEP102247R1301	6,80
3	400	XRM400BS-50-3P-EFM	1SEP102248R1301	14,80
3	400	XRM400BS-50-3P-NCT-EFM ¹⁾	1SEP102248R1601	14,50
3	630	XRM630BS-50-3P-EFM	1SEP102249R1301	15,00
3	630	XRM630BS-50-3P-NCT-EFM ¹⁾	1SEP102249R1601	14,80
3	160	XRM160BS-50-3P-MOT	1SEP102246R1302	3,60
3	250	XRM250BS-50-3P-MOT	1SEP102247R1302	7,10
3	400	XRM400BS-50-3P-MOT	1SEP102248R1302	15,40
3	630	XRM630BS-50-3P-MOT	1SEP102249R1302	15,70
3	160	XRM160BS-50-3P-ITS	1SEP102246R1304	4,40
3	250	XRM250BS-50-3P-ITS	1SEP102247R1304	7,90
3	400	XRM400BS-50-3P-ITS	1SEP102248R1304	16,50
3	630	XRM630BS-50-3P-ITS	1SEP102249R1304	17,60
3	160	XRM160BS-50-3P-ITS-MOT	1SEP102246R1305	5,00
3	250	XRM250BS-50-3P-ITS-MOT	1SEP102247R1305	8,20
3	400	XRM400BS-50-3P-ITS-MOT	1SEP102248R1305	16,10
3	630	XRM630BS-50-3P-ITS-MOT	1SEP102249R1305	17,40

1) Not prepared for CT's

Ordering tables

50 mm busbar distance (BS)



SlimLine XR Switch disconnecter fuse - 50 mm busbar distance, British standard version (BS)

Number of poles	Rated operation current (A)	Type Designation	Order code	Weight (Kg)
4	160	XRE160BS-50-4P	1SEP102246R1400	4,15
4	250	XRE250BS-50-4P	1SEP102247R1400	7,15
4	400	XRE400BS-50-4P	1SEP102248R1400	16,30
4	400	XRE400BS-50-4P-NCT ¹⁾	1SEP102248R1700	15,80
4	630	XRE630BS-50-4P	1SEP102249R1400	16,80
4	630	XRE630BS-50-4P-NCT ¹⁾	1SEP102249R1700	16,20
4	160	XRE160BS-50-4P-EFM	1SEP102246R1401	4,15
4	250	XRE250BS-50-4P-EFM	1SEP102247R1401	7,15
4	400	XRE400BS-50-4P-EFM	1SEP102248R1401	16,30
4	400	XRE400BS-50-4P-NCT-EFM ¹⁾	1SEP102248R1701	15,80
4	630	XRE630BS-50-4P-EFM	1SEP102249R1401	16,80
4	630	XRE630BS-50-4P-NCT-EFM ¹⁾	1SEP102249R1701	16,20
4	160	XRE160BS-50-4P-MOT	1SEP102246R1402	4,50
4	250	XRE250BS-50-4P-MOT	1SEP102247R1402	7,50
4	400	XRE400BS-50-4P-MOT	1SEP102248R1402	16,50
4	630	XRE630BS-50-4P-MOT	1SEP102249R1402	17,10
4	160	XRE160BS-50-4P-ITS	1SEP102246R1404	5,30
4	250	XRE250BS-50-4P-ITS	1SEP102247R1404	8,30
4	400	XRE400BS-50-4P-ITS	1SEP102248R1404	17,70
4	630	XRE630BS-50-4P-ITS	1SEP102249R1404	18,50
4	160	XRE160BS-50-4P-ITS-MOT	1SEP102246R1405	5,60
4	250	XRE250BS-50-4P-ITS-MOT	1SEP102247R1405	8,60
4	400	XRE400BS-50-4P-ITS-MOT	1SEP102248R1405	18,00
4	630	XRE630BS-50-4P-ITS-MOT	1SEP102249R1405	18,80

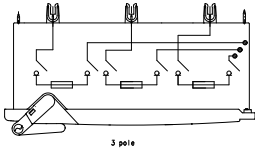
1) Not prepared for CT's

SlimLine XR Switch disconnecter fuse - 50 mm busbar distance, British standard version (BS)

Number of poles	Rated operation current (A) DC23B (230V) DC21B (500V)	Type Designation	Order code	Weight (Kg)
2	160/-	XRM160BS-50-DC	1SEP102246R1200	3,30
2	250/250	XRM250BS-50-DC	1SEP102247R1200	6,25
2	400/400	XRM400BS-50-DC	1SEP102248R1200	13,50
2	630/630	XRM630BS-50-DC	1SEP102249R1200	13,50
2	160/-	XRM160BS-50-DC-MOT	1SEP102246R1202	3,60
2	250/250	XRM250BS-50-DC-MOT	1SEP102247R1202	6,60
2	400/400	XRM400BS-50-DC-MOT	1SEP102248R1202	13,10
2	630/630	XRM630BS-50-DC-MOT	1SEP102249R1202	13,80

Ordering tables

185 mm busbar distance (BS)



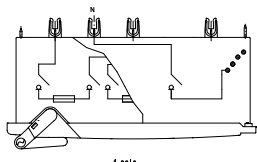
SlimLine XR Switch disconnecter fuse - 185 mm busbar distance, British standard version (BS)

Number of poles	Rated operation current (A)	Type Designation	Order code	Weight (Kg)
3	63	XRM63BS-185-3P	1SEP102244R3300	3,60
3	100	XRM100BS-185-3P	1SEP102245R3300	3,60
3	160	XRM160BS-185-3P	1SEP102246R3300	3,60
3	250	XRM250BS-185-3P	1SEP102247R3300	6,80
3	400	XRM400BS-185-3P	1SEP102248R3300	14,80
3	400	XRM400BS-185-3P-NCT ¹⁾	1SEP102248R3600	14,50
3	630	XRM630BS-185-3P	1SEP102249R3300	15,00
3	630	XRM630BS-185-3P-NCT ¹⁾	1SEP102249R3600	14,80
3	160	XRM160BS-185-3P-EFM	1SEP102246R3301	3,60
3	250	XRM250BS-185-3P-EFM	1SEP102247R3301	6,80
3	400	XRM400BS-185-3P-EFM	1SEP102248R3301	14,80
3	400	XRM400BS-185-3P-NCT-EFM ¹⁾	SEP102248R3601	14,50
3	630	XRM630BS-185-3P-EFM	1SEP102249R3301	15,00
3	630	XRM630BS-185-3P-NCT-EFM ¹⁾	1SEP102249R3601	14,80
3	160	XRM160BS-185-3P-MOT	1SEP102246R3302	3,60
3	250	XRM250BS-185-3P-MOT	1SEP102247R3302	7,10
3	400	XRM400BS-185-3P-MOT	1SEP102248R3302	15,40
3	630	XRM630BS-185-3P-MOT	1SEP102249R3302	15,70
3	160	XRM160BS-185-3P-ITS	1SEP102246R3304	4,40
3	250	XRM250BS-185-3P-ITS	1SEP102247R3304	7,90
3	400	XRM400BS-185-3P-ITS	1SEP102248R3304	16,50
3	630	XRM630BS-185-3P-ITS	1SEP102249R3304	17,60
3	160	XRM160BS-185-3P-ITS-MOT	1SEP102246R3305	5,00
3	250	XRM250BS-185-3P-ITS-MOT	1SEP102247R3305	8,20
3	400	XRM400BS-185-3P-ITS-MOT	1SEP102248R3305	16,10
3	630	XRM630BS-185-3P-ITS-MOT	1SEP102249R3305	17,40

1) Not prepared for CT's

Ordering tables

185 mm busbar distance (BS)

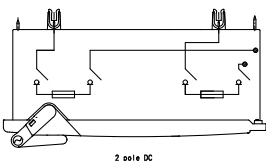


SlimLine XR Switch disconnecter fuse - 185 mm busbar distance, British standard version (BS)

Number of poles	Rated operation current (A)	Type Designation	Order code	Weight (Kg)
4	160	XRE160BS-185-4P	1SEP102246R3400	4,15
4	250	XRE250BS-185-4P	1SEP102247R3400	7,15
4	400	XRE400BS-185-4P	1SEP102248R3400	16,30
4	400	XRE400BS-185-4P-NCT ¹⁾	1SEP102248R3700	15,80
4	630	XRE630BS-185-4P	1SEP102249R3400	16,80
4	630	XRE630BS-185-4P-NCT ¹⁾	1SEP102249R3700	16,20
4	160	XRE160BS-185-4P-EFM	1SEP102246R3401	4,15
4	250	XRE250BS-185-4P-EFM	1SEP102247R3401	7,15
4	400	XRE400BS-185-4P-EFM	1SEP102248R3401	16,30
4	400	XRE400BS-185-4P-NCT-EFM ¹⁾	1SEP102248R3701	15,80
4	630	XRE630BS-185-4P-EFM	1SEP102249R3401	16,80
4	630	XRE630BS-185-4P-NCT-EFM ¹⁾	1SEP102249R3701	16,20
4	160	XRE160BS-185-4P-MOT	1SEP102246R3402	4,50
4	250	XRE250BS-185-4P-MOT	1SEP102247R3402	7,50
4	400	XRE400BS-185-4P-MOT	1SEP102248R3402	16,50
4	630	XRE630BS-185-4P-MOT	1SEP102249R3402	17,10
4	160	XRE160BS-185-4P-ITS	1SEP102246R3404	5,30
4	250	XRE250BS-185-4P-ITS	1SEP102247R3404	8,30
4	400	XRE400BS-185-4P-ITS	1SEP102248R3404	17,70
4	630	XRE630BS-185-4P-ITS	1SEP102249R3404	18,50
4	160	XRE160BS-185-4P-ITS-MOT	1SEP102246R3405	5,60
4	250	XRE250BS-185-4P-ITS-MOT	1SEP102247R3405	8,60
4	400	XRE400BS-185-4P-ITS-MOT	1SEP102248R3405	18,00
4	630	XRE630BS-185-4P-ITS-MOT	1SEP102249R3405	18,80

1) Not prepared for CT's

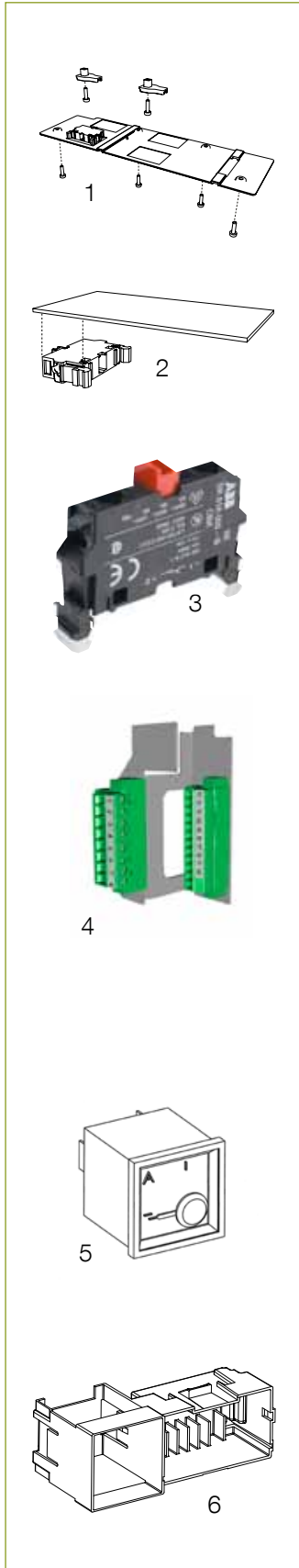
SlimLine XR Switch disconnecter fuse - 185 mm busbar distance, British standard version (BS)



Number of poles	Rated operation current (A) DC23B (230V) DC21B (500V)	Type Designation	Order code	Weight (Kg)
2	160/-	XRM160BS-185-DC	1SEP102246R3200	3,30
2	250/250	XRM250BS-185-DC	1SEP102247R3200	6,25
2	400/400	XRM400BS-185-DC	1SEP102248R3200	13,50
2	630/630	XRM630BS-185-DC	1SEP102249R3200	13,50
2	160/-	XRM160BS-185-DC-MOT	1SEP102246R3202	3,60
2	250/250	XRM250BS-185-DC-MOT	1SEP102247R3202	6,60
2	400/400	XRM400BS-185-DC-MOT	1SEP102248R3202	13,10
2	630/630	XRM630BS-185-DC-MOT	1SEP102249R3202	13,80

Ordering tables

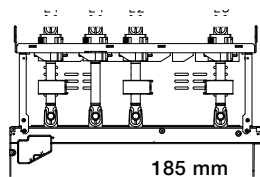
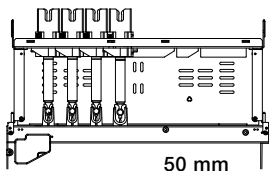
Auxiliary switches, Multi plugs, Ammeter and EFM Bracket



Type designation	Description	Order code	
Auxiliary switches			
1	XR00 Auxiliary switch 1NO kit	Kit incl. 1pcs, 1NO aux switch, transp. cover and screws	1SEP408504R0001
	XR00 Auxiliary switch 1NC kit	Kit incl. 1pcs, 1 NC aux switch, transp. cover and screws	1SEP408505R0001
	XR1 Auxiliary switch 1NO kit	Kit incl. 1pcs 1NO aux switch, transp. cover and screws	1SEP408506R0001
	XR1 Auxiliary switch 1NC kit	Kit incl. 1pcs 1NC aux switch, transp. cover and screws	1SEP408507R0001
2	XR2/3 Auxiliary switch 1NO kit	Kit incl. 1pcs 1NO aux switch, transp. cover and screws	1SEP408508R0001
	XR2/3 Auxiliary switch 1NC kit	Kit incl. 1pcs 1NC aux switch, transp. cover and screws	1SEP408509R0001
	XR Auxiliary switch 1NO	Single aux. switch to be used as aux. switch no 2,3,4	1SEP407742R0013
3	XR Auxiliary switch 1NC	Single aux. switch to be used as aux. switch no 2,3,4	1SEP407742R0012
Multi plugs			
	XR00/1 Multi plug 6 kit f. CT's with screws		1SEP408512R0001
	XR00/1 Multi plug 8 kit f. CT's		1SEP408510R0001
	XR00/1 Multi plug 18 kit f. CT's and aux switches		1SEP408511R0001
4	XR2/3 Multi plug 8 kit f. CT's with screws		1SEP408515R0001
	XR2/3 Multi plug kit 8 f. CT's		1SEP408513R0001
	XR2/3 Multi plug kit 20 f. CT's and aux switches		1SEP408514R0001
Ammeter			
5	XR Ammeter 0-150-180/1A		NHSN714003P0150
	XR Ammeter 0-150-180/5A		NHSN714003P1150
	XR Ammeter 0-250-300/1A		NHSN714003P0250
	XR Ammeter 0-250-300/5A		NHSN714003P1250
	XR Ammeter 0-400-480/1A		NHSN714003P0400
	XR Ammeter 0-400-480/5A		NHSN714003P1400
	XR Ammeter 0-600-720/1A		NHSN714003P0600
	XR Ammeter 0-600-720/5A		NHSN714003P1600
Ammeter and EFM Bracket			
6	XR Ammeter and EFM bracket		1SEP408519R0001

Ordering tables

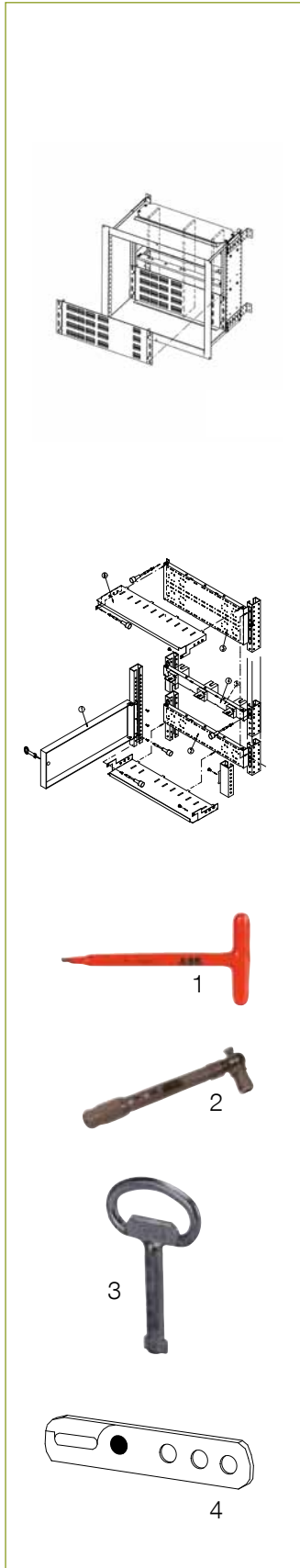
Contact extensions and front covers



Type designation	Order code
Contact extensions for 50 mm 2 pole	
XR00 Contact ext. 50 mm 2 pole	1SEP102127R0002
XR1 Contact ext. 50 mm 2 pole	1SEP102128R0002
XR2/3 Contact ext. 50 mm 2 pole	NHP 100495R0003
Contact extensions for 50 mm 3 pole	
XR00 Contact ext. for 50 mm	1SEP102127R0001
XR1 Contact ext. for 50 mm	1SEP102128R0001
XR/SR-2/3 Contact ext. for 50 mm	NHP 100495R0001
Contact extensions for 50 mm 4 pole	
XR00 Contact ext. for 50 mm 4 pole	1SEP102137R0001
XR1 Contact ext. for 50 mm 4 pole	1SEP102138R0001
XR/SR-2/3 Contact ext. for 50 mm 4 pole	1SEP101861R0001
Contact extensions for 185 mm 2 pole	
XR00 Contact ext. 185 mm 2 pole	1SEP408541R0001
XR1 Contact ext. 185 mm 2 pole	1SEP408542R0001
XR2/3 Contact ext. for 185 mm 2 pole	1SEP408543R0001
Contact extensions for 185 mm 3 pole	
XR00 Contact ext. for 185 mm	1SEP102135R0001
XR1 Contact ext. for 185 mm	1SEP102136R0001
XR/SR2/3 Contact ext. for 185 mm	NHP 100886R0001
Contact extensions for 185 mm 4 pole	
XR00 Contact ext. for 185 mm 4 pole	1SEP102208R0001
XR1 Contact ext. for 185 mm 4 pole	1SEP102209R0001
XR/SR-2/3 Contact ext. for 185 mm 4 pole	1SEP102198R0001
Front covers with operating handle for NH (spare parts)	
XR00 Front cover w/operating handle for NH Incl. "E" and "M"	1SEP102219R0002
XR00 Red Front cover w/operating handle for NH Incl. "E" and "M"	1SEP102219R0005
XR1 Front cover w/operating handle for NH Incl. "E" and "M"	1SEP102222R0002
XR2 Front cover w/operating handle for NH Incl. "E" and "M"	1SEP408521R0001
XR3 Front cover w/operating handle for NH Incl. "E" and "M"	1SEP408521R0003
Front covers with operating handle for BS (spare parts)	
XR00 Front cover w/operating handle for BS Incl. "E" and "M" (M for 63, 100, 160A)	1SEP102219R0012
XR1 Front cover w/operating handle for BS Incl. "E" and "M"	1SEP102222R0012
XR2 Front cover w/operating handle for BS Incl. "E" and "M"	1SEP408521R0011
XR3 Front cover w/operating handle for BS Incl. "E" and "M"	1SEP408521R0013

Ordering tables

Cassettes, service modules and common accessories

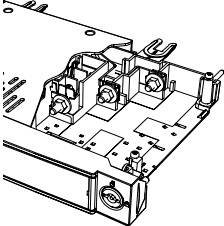
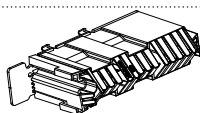
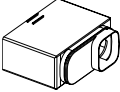
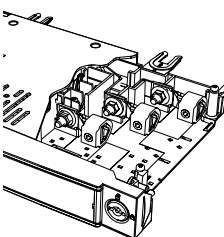



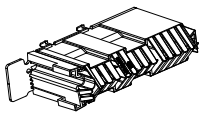
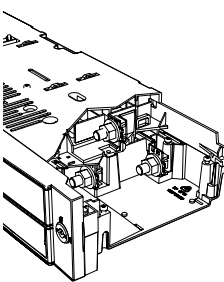
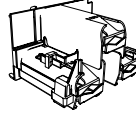
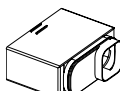
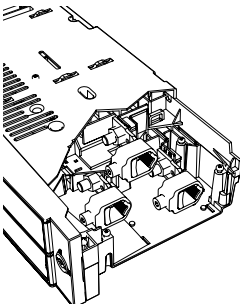



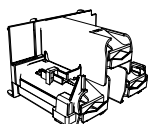


Type designation	Order code	Gross Weight, [kg]
SlimLine cassettes		
XR/SR - SlimLine cassette 185 mm/500 mm	1SEP102223R0001	12,7
XR/SR - SlimLine cassette 185 mm/1000 mm	1SEP102223R0002	21,2
XR/SR - SlimLine cassette 185 mm/1500 mm	1SEP102223R0003	30,0
XR/SR - SlimLine cassette 185 mm/2000 mm	1SEP102223R0004	38,0
XR/SR - IP20 busbar cover 500 mm	NHP 407062R0001	1,5
XR/SR - IP20 busbar cover 1000 mm	NHP 407062R0002	2,8
XR/SR - IP20 busbar cover 1500 mm	NHP 407062R0003	4,1
XR/SR - IP20 busbar cover 2000 mm	NHP 407062R0004	5,4
XR/SR - Single IP20 busbar cover 200 mm	NHP 101474P0001	0,5
XR/SR - Top-bottom unit, depth 400 mm	1SEP102079P0001	0,01
Service modules		
XR/SR - Service module top/bottom seg. plate	NHP 101155R0001	0,2
XR/SR - Service module mount. plate 100 mm	NHP 405897R0001	0,8
XR/SR - Service module mount. plate 200 mm	NHP 405897R0002	1,5
XR/SR - Service module mount. plate 300 mm	NHP 405897R0003	2,2
XR/SR - Service module mount. plate 400 mm	NHP 405897R0004	2,9
XR/SR - Front blind cover 100 mm hinged	NHP 101323R6001	1,4
XR/SR - Front blind cover 200 mm hinged	NHP 101323R6002	2,5
XR/SR - Front blind cover 300 mm hinged	NHP 101323R6003	3,6
XR/SR - Front blind cover 400 mm hinged	NHP 101323R6004	4,7
XR/SR - Busbar connection module 60 mm/400A	NHP 101194R0001	2,2
XR/SR - Busbar connection module 185 mm/400A	NHP 101193R0001	3,4
Common accessories		
XR Ventilated blind cover 50 mm IP41	1SEP408528R0001	0,8
XR/SR Module guide rails 200 mm	NHP 200947R0002	1,3
XR/SR Module guide rails 400 mm	NHP 200947R0003	1,8
1 Cable terminal key (tool)	NHSN950001P0006	0,6
2 Cable terminal torque key (tool)	NHSN950001P0002	2,0
Extension for torque key NV1	NHSN950001P0001	0,4
3 Front cover key	GMN 436770P0022	0,1
4 XR Padlock Extension up to 3 padlocks	1SEP408753R0001	0,1

Ordering tables

Cable termination and Cable shrouds

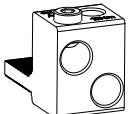
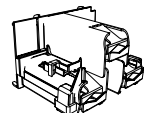
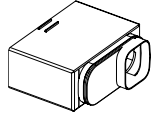
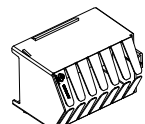
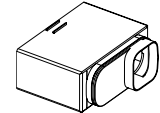


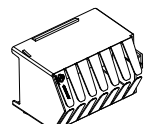

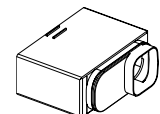
The XR is delivered with bolts as standard for connection of cables with lugs.
Cable clamps for Al/Cu-cables are available as accessories.

Size	Type of clamp/bolt w/order code	Cable (Al/Cu) size (mm ²)	Torque (Nm)	Number of poles	Cable shroud w/order code
XR00 160 A					
	M8 (Standard)	- 95 - 120 ¹⁾	15 Nm	2 / 3	 1SEP408496R0001
				N / 4th	 1SEP407775R0001
	Single clamp 3 pole: 1SEP408499R0001	 	 15 Nm	2 / 3	 1SEP408496R0001
				Rm: 10 - 50	N / 4th
	4 pole: 1SEP408501R0001	Se: 50 - 70	95	18 Nm	
		Sm: 35 - 50	70 - 95		1SEP407775R0001
XR1 250A					
	M12 (Standard)	- 240	30 Nm	2 / 3	 1SEP408497R0001
				N / 4th	 1SEP407775R0001
	Single clamp 3 pole: 1SEP408500R0001	 	 20 Nm	2 / 3	 1SEP408497R0001
				Rm: 16 - 35	N / 4th
	4 pole: 1SEP408502R0001	Se: 35 - 70	95 - 300	23 Nm	
		Sm: 35 - 50	70 - 240		1SEP407775R0001

Ordering tables

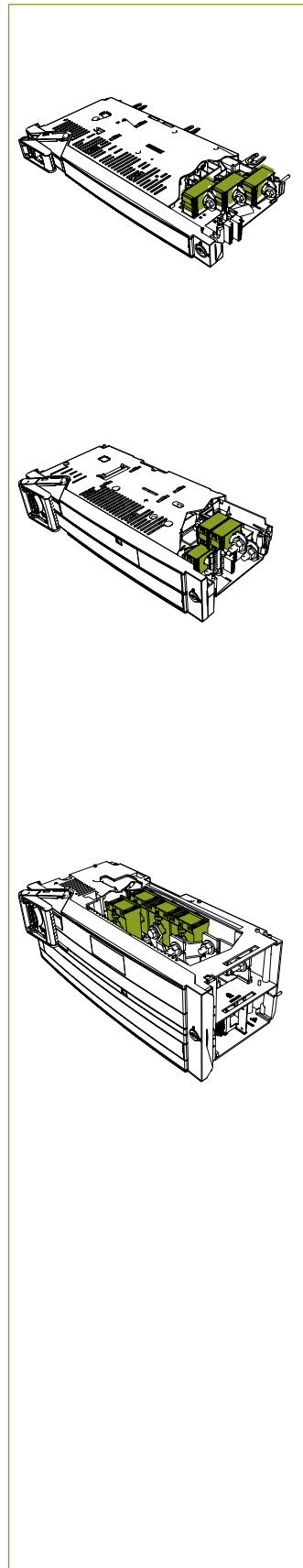
Cable termination and Cable shrouds

The XR is delivered with bolts as standard for connection of cables with lugs.
Cable clamps for Al/Cu-cables are available as accessories.

Size	Type of clamp/bolt w/order code	Cable (Al/Cu) size (mm ²)	Torque (Nm)	Number of poles	Cable shroud w/order code
XR1 250 A	Double clamp 3 pole: 1SEP408205R00031		15 Nm	2 / 3	 1SEP408497R0001
	4 pole: 1SEP408205R0004	Re: 10 - 150 Rm: 10 - 95 Se: 10 - 120 Sm: 10 - 95		N / 4th	 1SEP407775R0001
XR2/3 400/630 A	M12 (Standard)	2 x 240	30 Nm	2 / 3	 1SEP408498R0001
				N / 4th	 1SEP407775R0001
	Double clamp 3 pole: 1SEP304446R0002		 20 Nm	2 / 3	 1SEP408498R0001
	4 pole: 1SEP408503R0001	Re: 16 - 70 70 - 150 Rm: 16 - 35 50 - 185 Se: 35 - 70 95 - 300 Sm: 35 - 50 70 - 240	 23 Nm	N / 4th	 1SEP407775R0001

Ordering tables

Current metering in XR Standard apparatus 1 and 3 phase

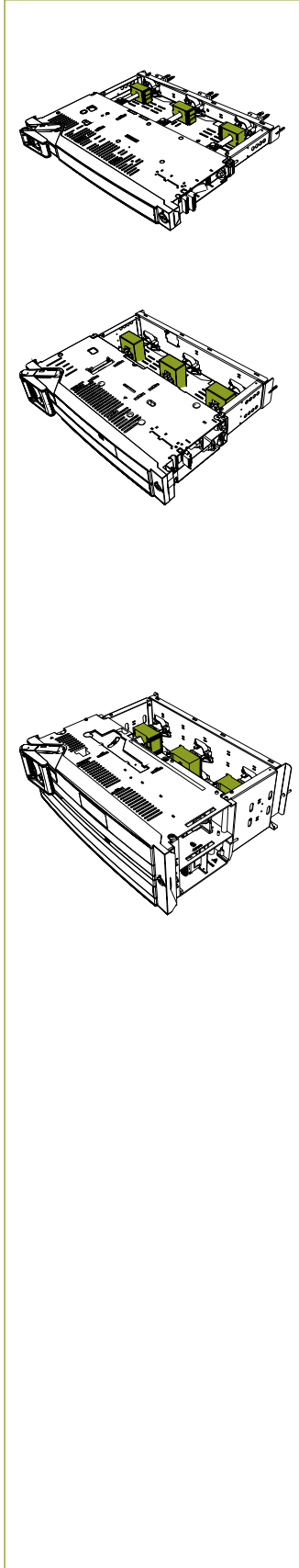


Type	No of CT's pr XR	MBS-type	Ratio	Power	Class	Order code
XR00/1 Apparatus	1,2,3,4	ASR 20.3	150/1	3,75	1	NHSN718054P1015
XR00/1 Apparatus	1,2,3,4	ASR 20.3	150/5	3,75	1	NHSN718054P5015
XR00/1 Apparatus	1,2,3,4	ASR 20,3	150/1	2,5	0,5	NHSN718055P1015
XR00/1 Apparatus	1,2,3,4	ASR 20,3	150/5	2,5	0,5	NHSN718055P5015
XR00 Cu Terminal extension for 1 CT or 4th CT, ASR 20.3						1SEP408524R0001
XR00 Cu Terminal extension kit for 3 phase CT's, ASR 20.3						1SEP408523R0001
XR00 Terminal ext. for 1 CT or 4th CT Ø 14mm, ASR 14.3						1SEP408630R0001
XR00 Terminal ext. kit for 3 phase CT's Ø 14mm, ASR 14.3						1SEP408630R0003
XR1 Apparatus	1,2,3,4	ASR 20.3	250/1	5	1	NHSN718054P1025
XR1 Apparatus	1,2,3,4	ASR 20.3	250/5	5	1	NHSN718054P5025
XR1 Apparatus	1,2,3,4	ASR 20.3	250/1	5	0,5	NHSN718055P1025
XR1 Cu Terminal extension for 1 CT, ASR 20.3						1SEP408576R0001
XR1 Cu Terminal extension kit for 3 phase CT's, ASR 20.3						1SEP408525R0001
XR1 Cu Terminal extension kit for 4 CT's, ASR 20.3						1SEP408526R0001
XR1 Cu Terminal ext. kit for 3 phase CT Ø17mm, EAS 176.3						1SEP408746R0001
XR2/3 Apparatus	1,2,3,4	ASK 41.4	250/1	10	1	NHSN718047P1025
XR2/3 Apparatus	1,2,3,4	ASK 41.4	250/5	10	1	NHSN718047P5025
XR2/3 Apparatus	1,2,3,4	ASK 41.4	300/1	10	1	NHSN718047P1030
XR2/3 Apparatus	1,2,3,4	ASK 41.4	300/5	10	1	NHSN718047P5030
XR2/3 Apparatus	1,2,3,4	ASK 41.4	400/1	10	1	NHSN718047P1040
XR2/3 Apparatus	1,2,3,4	ASK 41.4	400/5	10	1	NHSN718047P5040
XR2/3 Apparatus	1,2,3,4	ASK 41.4	500/1	10	1	NHSN718047P1050
XR2/3 Apparatus	1,2,3,4	ASK 41.4	500/5	10	1	NHSN718047P5050
XR2/3 Apparatus	1,2,3,4	ASK 41.4	600/1	10	1	NHSN718047P1060
XR2/3 Apparatus	1,2,3,4	ASK 41.4	600/5	10	1	NHSN718047P5060
XR2/3 Apparatus	1,2,3,4	ASK 41.4	300/1	10	0,5	NHSN718056P1030
XR2/3 Apparatus	1,2,3,4	ASK 41.4	300/5	10	0,5	NHSN718056P5030
XR2/3 Apparatus	1,2,3,4	ASK 41.4	400/1	10	0,5	NHSN718056P1040
XR2/3 Apparatus	1,2,3,4	ASK 41.4	400/5	10	0,5	NHSN718056P5040
XR2/3 Apparatus	1,2,3,4	ASK 41.4	500/1	10	0,5	NHSN718056P1050
XR2/3 Apparatus	1,2,3,4	ASK 41.4	500/5	10	0,5	NHSN718056P5050
XR2/3 Apparatus	1,2,3,4	ASK 41.4	600/1	10	0,5	NHSN718056P1060
XR2/3 Apparatus	1,2,3,4	ASK 41.4	600/5	10	0,5	NHSN718056P5060
XR2/3 Apparatus	1,2,3,4	ASK 41.4	250/5	5	0,2 s	NHSN718053P5025
XR2/3 Apparatus	1,2,3,4	ASK 41.4	300/5	5	0,2 s	NHSN718053P5030
XR2/3 Apparatus	1,2,3,4	ASK 41.4	400/5	5	0,2 s	NHSN718053P5040
XR2/3 Apparatus	1,2,3,4	ASK 41.4	500/5	5	0,2 s	NHSN718053P5050
XR2/3 Apparatus	1,2,3,4	ASK 41.4	600/5	5	0,2 s	NHSN718053P5060

NOTE! All CTs are delivered as a single unit. For 3 phase measuring 3 units have to be ordered.
The CT's can also be ordered directly from MBS or local MBS agent or equivalent CT's can be used.

Ordering tables

Current metering in XR with contact extension 1 and 3 phase



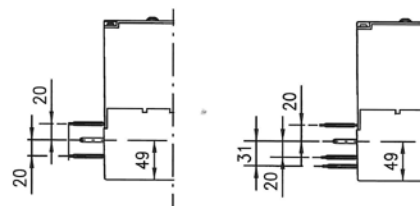
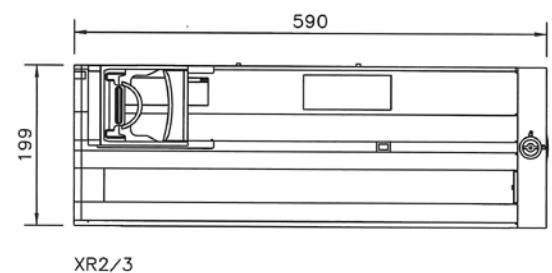
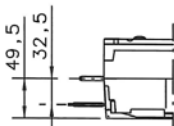
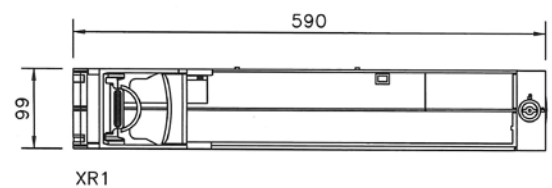
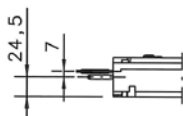
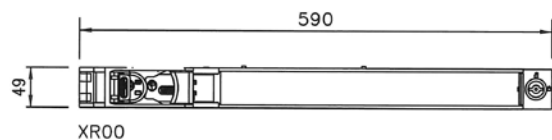
Type	No of CT's pr XR	MBS-type	Ratio	Power	Class	Order code
XR00 Cont. ext.	1,2,3	ASR 20.3	150/1	3,75	1	NHSN718054P1015
XR00 Cont. ext.	1,2,3	ASR 20.3	150/5	3,75	1	NHSN718054P5015
XR00 Cont. ext.	1,2,3	ASR 20.3	150/1	2,5	0,5	NHSN718055P1015
XR00 Cont. ext.	1,2,3	ASR 20.3	150/5	2,5	0,5	NHSN718055P5015
XR1 Cont. ext.	1,2,3	ASK 31.3	250/1	5	1	NHSN718045P1025
XR1 Cont. ext.	1,2,3	ASK 31.3	250/5	5	1	NHSN718045P5025
XR1 Cont. ext.	1,2,3	ASK 41.4	250/1	10	1	NHSN718047P1025
XR1 Cont. ext.	1,2,3	ASK 41.4	250/5	10	1	NHSN718047P5025
XR1 Cont. ext.	1,2,3	ASK 31.3	250/1	5	0,5	NHSN718046P1025
XR1 Cont. ext.	1,2,3	ASK 31.3	250/5	5	0,5	NHSN718046P5025
XR1 Cont. ext.	1,2,3	ASK 41.4	250/1	5	0,5	NHSN718056P1025
XR1 Cont. ext.	1,2,3	ASK 41.4	250/5	5	0,5	NHSN718056P5025
XR1 Cont. ext.	1,2,3	ASK 41.4	250/5	5	0,2 s	NHSN718053P5025
XR2/3 Cont. ext.	1,2,3	ASK 41.4	250/1	10	1	NHSN718047P1025
XR2/3 Cont. ext.	1,2,3	ASK 41.4	250/5	10	1	NHSN718047P5025
XR2/3 Cont. ext.	1,2,3	ASK 41.4	300/1	10	1	NHSN718047P1030
XR2/3 Cont. ext.	1,2,3	ASK 41.4	300/5	10	1	NHSN718047P5030
XR2/3 Cont. ext.	1,2,3	ASK 41.4	400/1	10	1	NHSN718047P1040
XR2/3 Cont. ext.	1,2,3	ASK 41.4	400/5	10	1	NHSN718047P5040
XR2/3 Cont. ext.	1,2,3	ASK 41.4	500/1	10	1	NHSN718047P1050
XR2/3 Cont. ext.	1,2,3	ASK 41.4	500/5	10	1	NHSN718047P5050
XR2/3 Cont. ext.	1,2,3	ASK 41.4	600/1	10	1	NHSN718047P1060
XR2/3 Cont. ext.	1,2,3	ASK 41.4	600/5	10	1	NHSN718047P5060
XR2/3 Cont. ext.	1,2,3	ASK 41.4	300/1	10	0,5	NHSN718056P1030
XR2/3 Cont. ext.	1,2,3	ASK 41.4	300/5	10	0,5	NHSN718056P5030
XR2/3 Cont. ext.	1,2,3	ASK 41.4	400/1	10	0,5	NHSN718056P1040
XR2/3 Cont. ext.	1,2,3	ASK 41.4	400/5	10	0,5	NHSN718056P5040
XR2/3 Cont. ext.	1,2,3	ASK 41.4	500/1	10	0,5	NHSN718056P1050
XR2/3 Cont. ext.	1,2,3	ASK 41.4	500/5	10	0,5	NHSN718056P5050
XR2/3 Cont. ext.	1,2,3	ASK 41.4	600/1	10	0,5	NHSN718056P5160
XR2/3 Cont. ext.	1,2,3	ASK 41.4	600/5	10	0,5	NHSN718056P5060
XR2/3 Cont. ext.	1,2,3	ASK 41.4	250/5	5	0,2 s	NHSN718053P5025
XR2/3 Cont. ext.	1,2,3	ASK 41.4	300/5	5	0,2 s	NHSN718053P5030
XR2/3 Cont. ext.	1,2,3	ASK 41.4	400/5	5	0,2 s	NHSN718053P5040
XR2/3 Cont. ext.	1,2,3	ASK 41.4	500/5	5	0,2 s	NHSN718053P5050
XR2/3 Cont. ext.	1,2,3	ASK 41.4	600/5	5	0,2 s	NHSN718053P5060

NOTE! All CTs are delivered as a single unit. For 3 phase measuring 3 units have to be ordered.
The CT's can also be ordered directly from MBS or local MBS agent or equivalent CT's can be used.

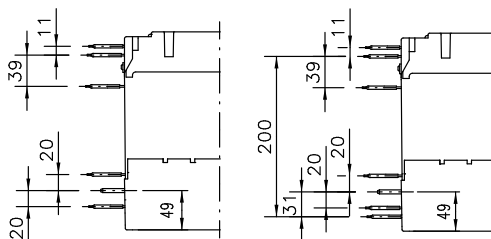
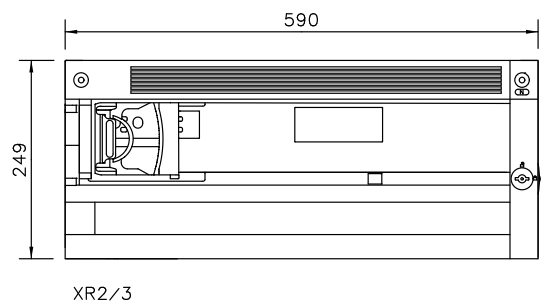
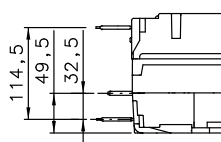
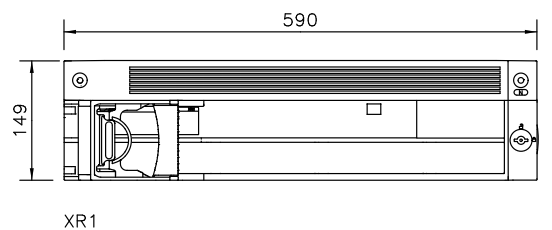
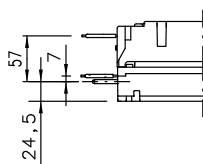
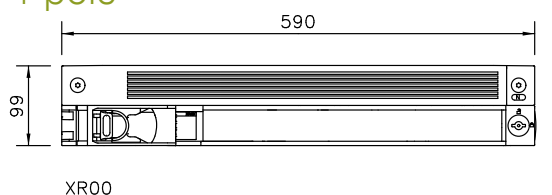
Dimensional drawings

Front and side view

2 pole / 3 pole



4 pole

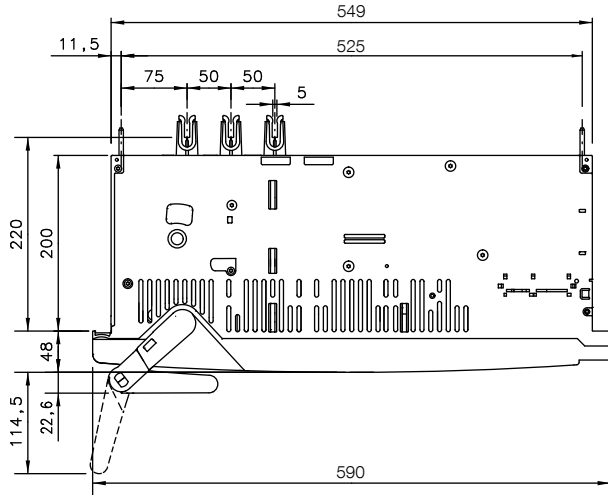


Dimensional drawings

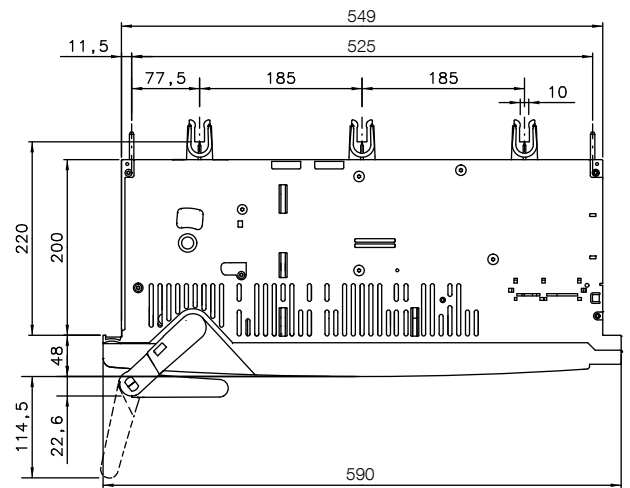
Distance between busbars (top view)

50 mm distance between phases

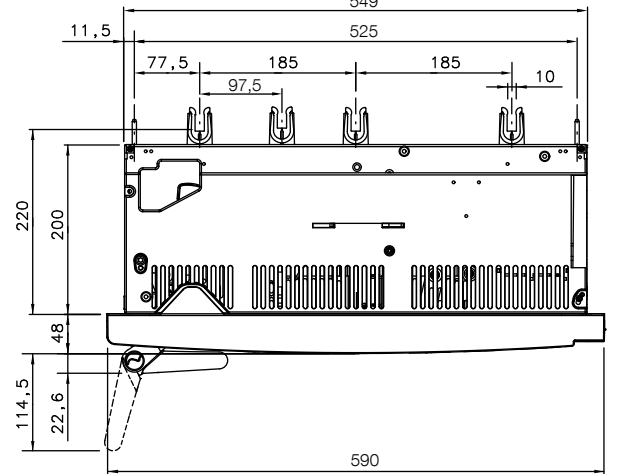
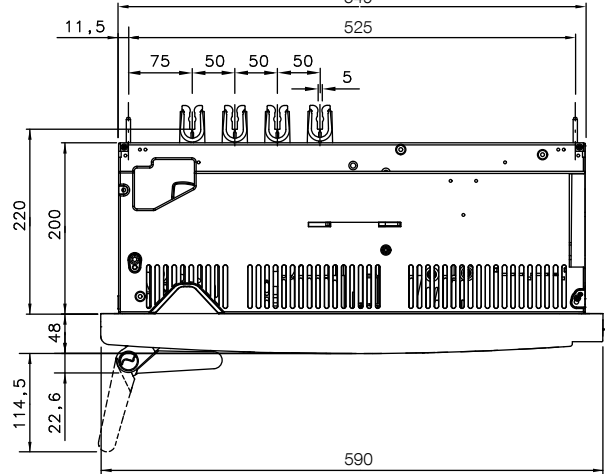
3 pole



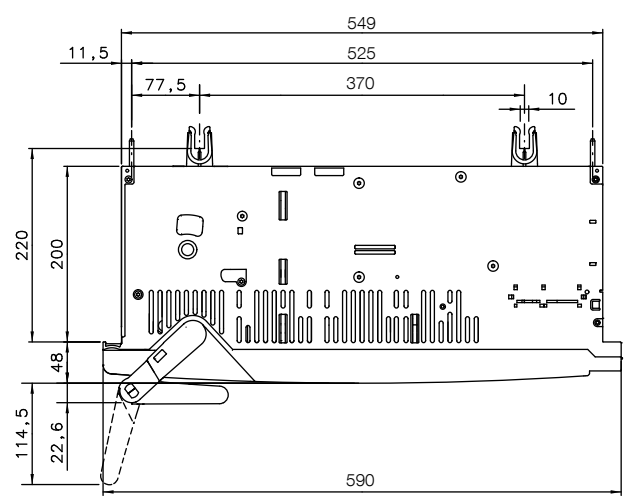
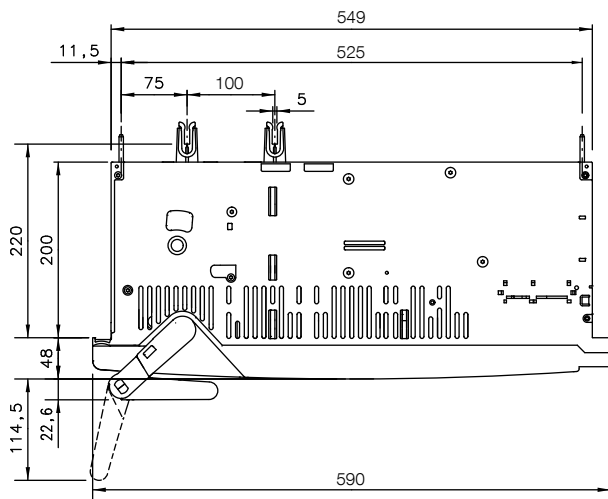
185 mm distance between phases



4 pole



2 pole

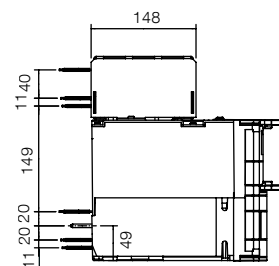
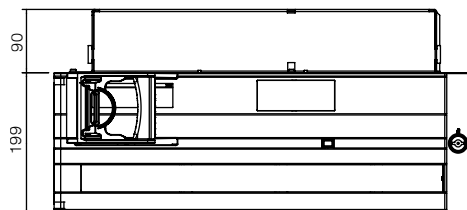
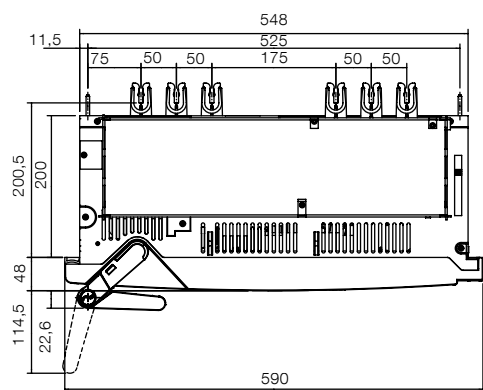


Dimensional drawings

Section switch

50mm phase distance

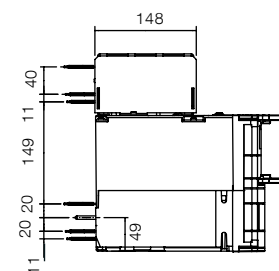
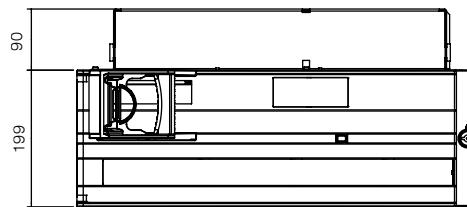
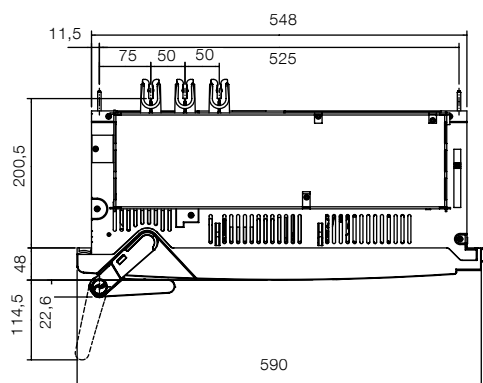
XRM3-50-3P-SP



1SEB000288

50mm phase distance

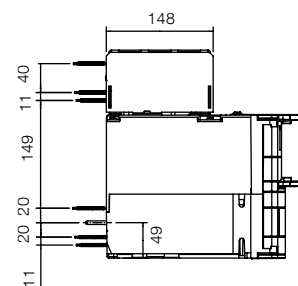
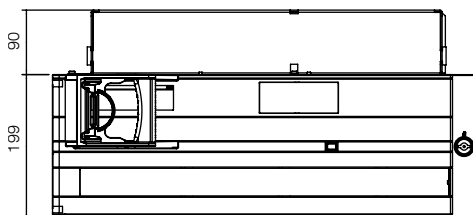
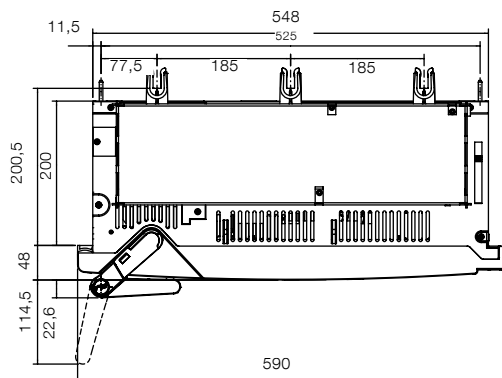
XRM3-50-3P-SS



1SEB000289

185mm phase distance

XRM3-185-3P-SS

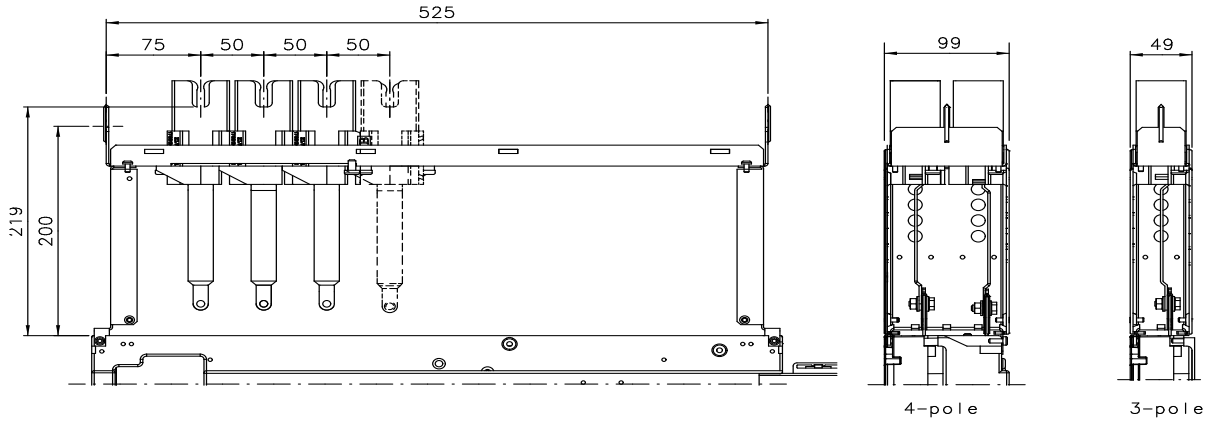


1SEB000290

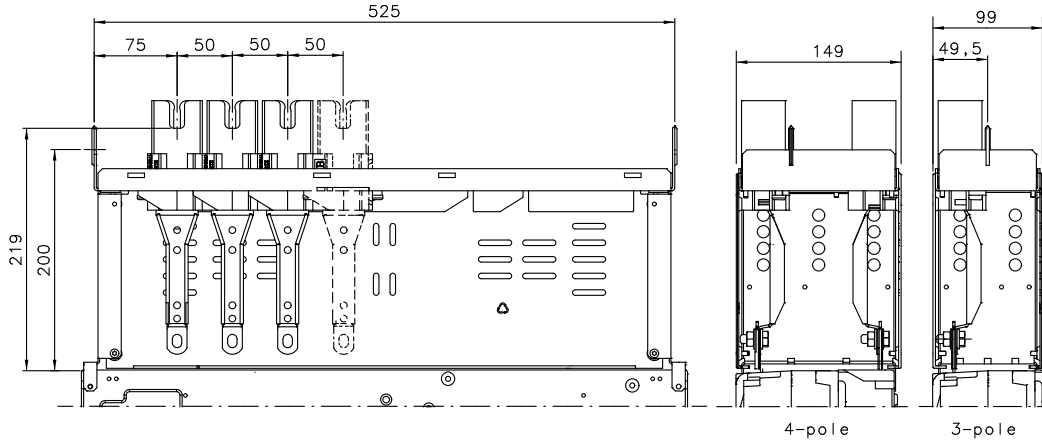
Dimensional drawings

Contact extension, 50 mm distance between phases

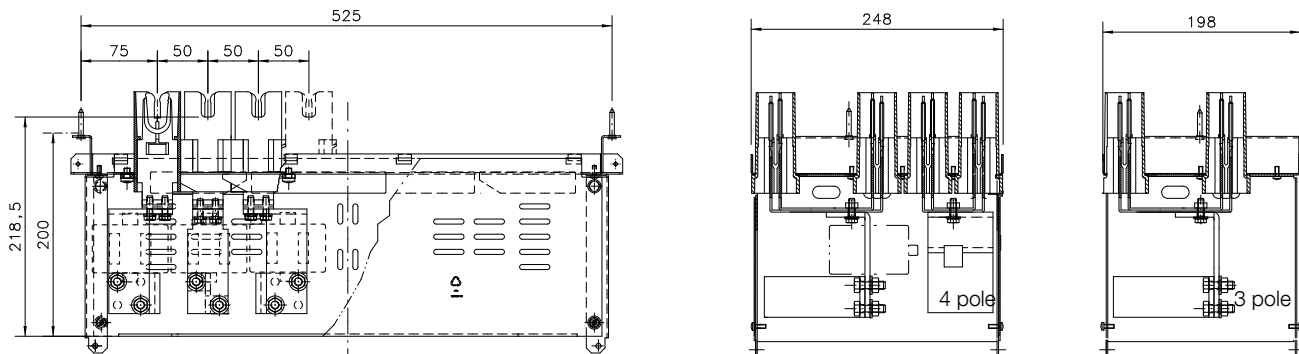
XR00



XR1



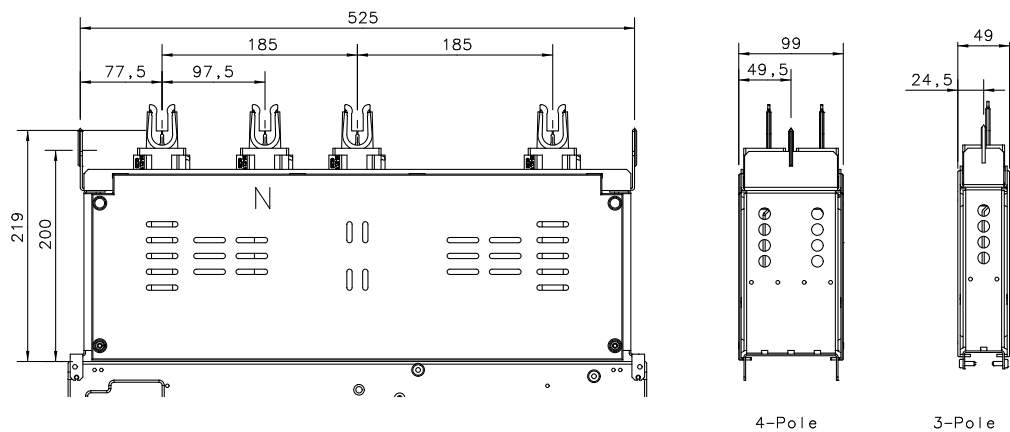
XR2/3



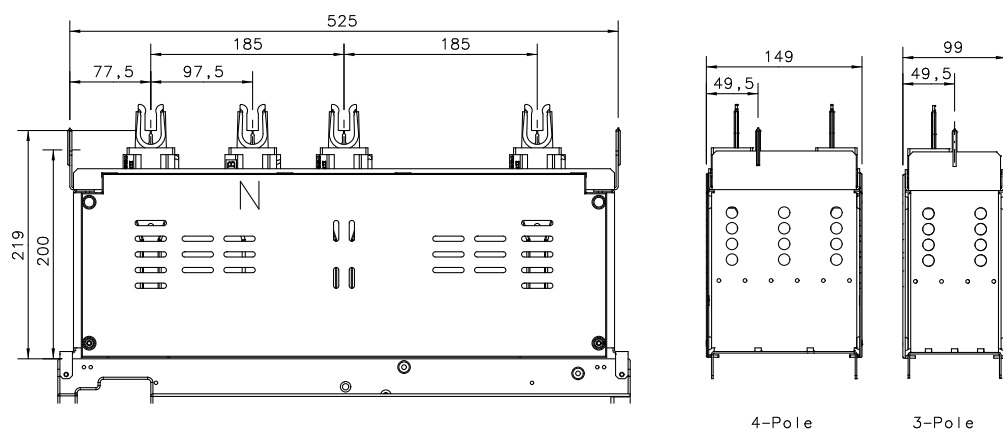
Dimensional drawings

Contact extension, 185 mm distance between phases

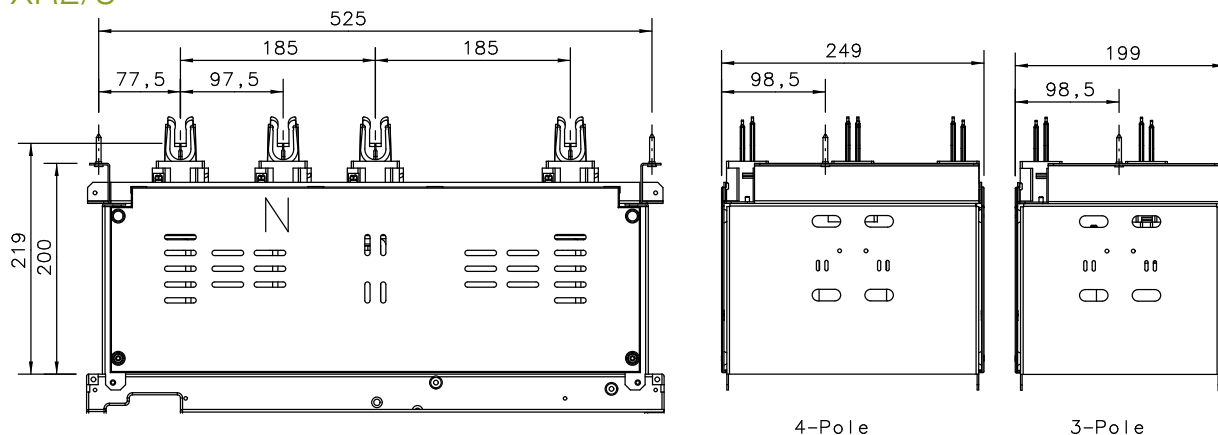
XR00



XR1



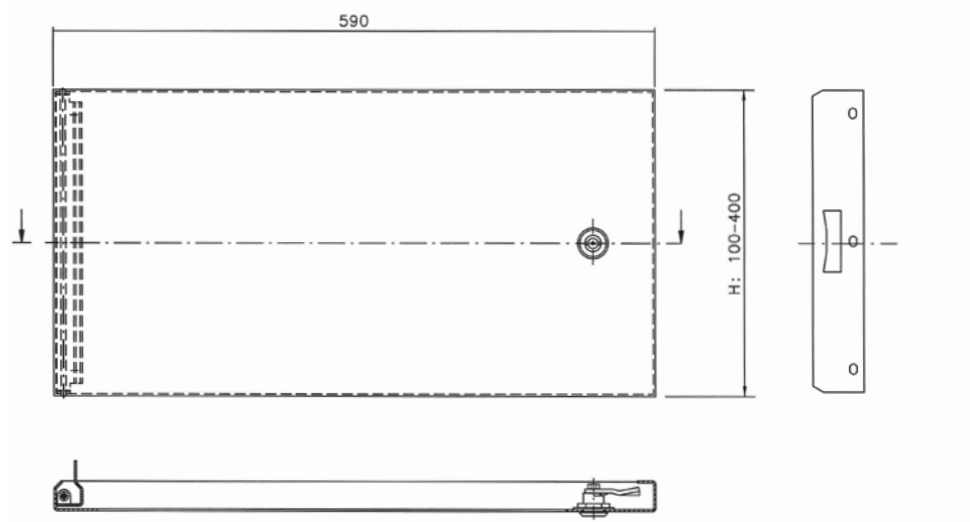
XR2/3



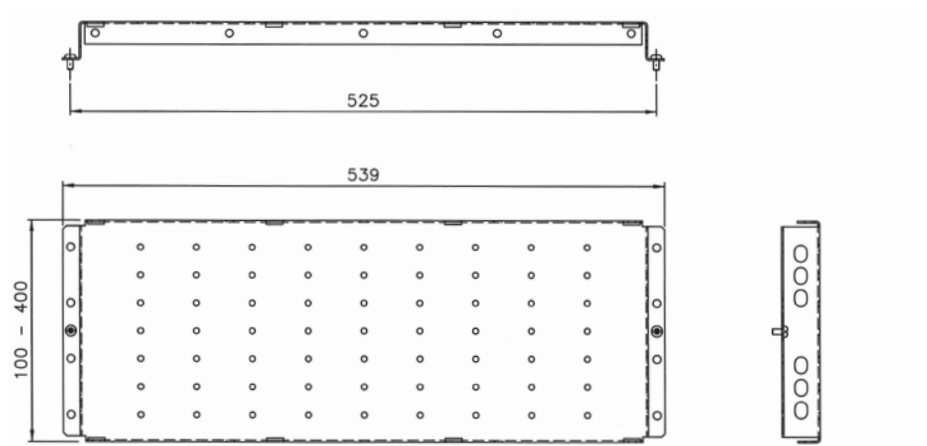
Dimensional drawings

Service modul

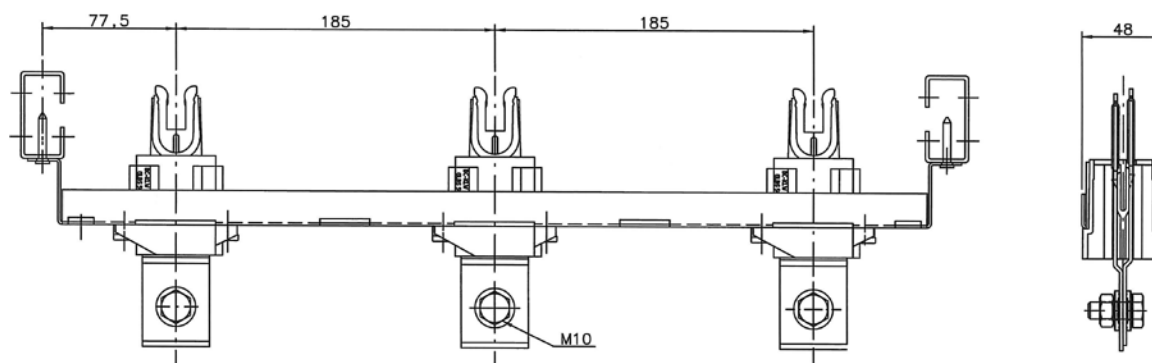
Blind cover complete H: 100-400 mm



Mounting plate H: 100-400mm



Busbar connection module 400 A, 185mm distance between busbars

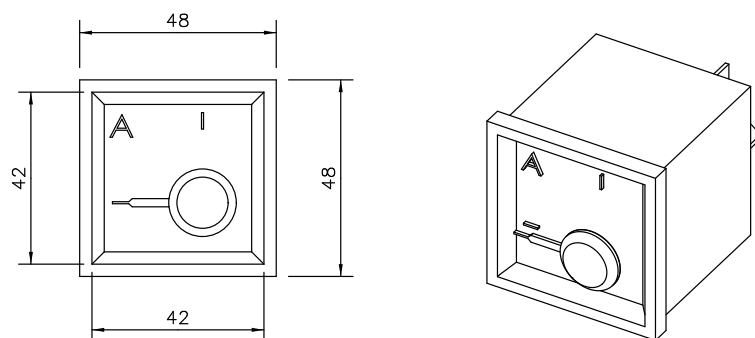


Dimensional drawings

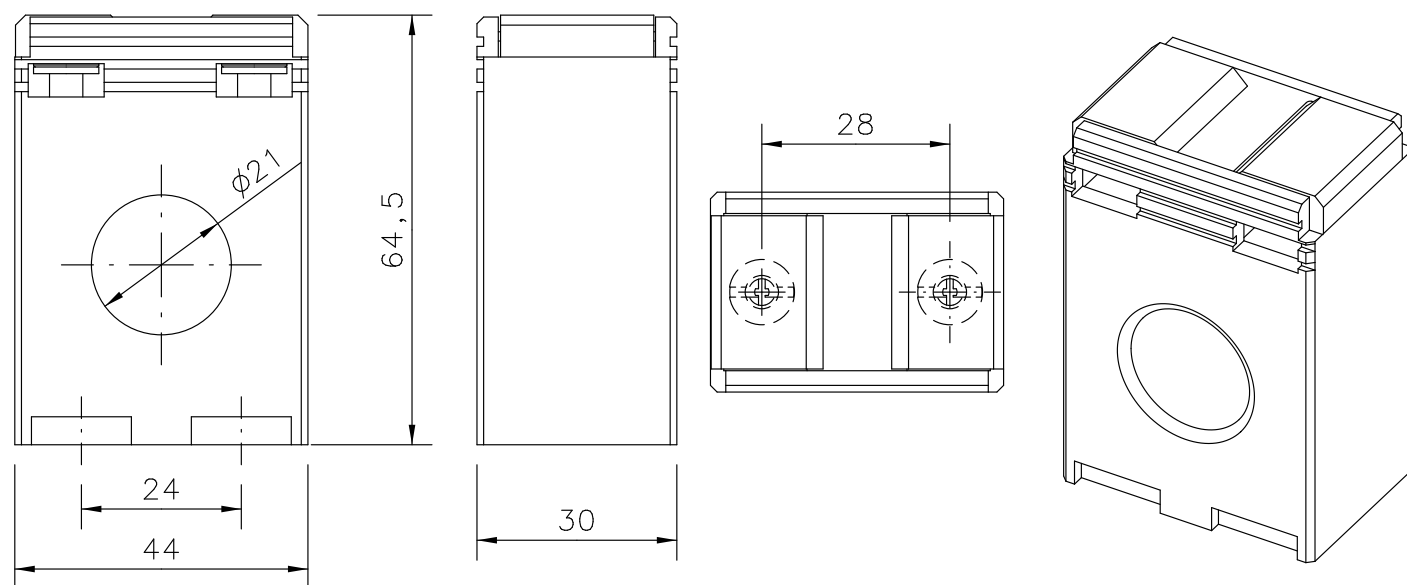
Ammeters and Current transformers

Ammeters

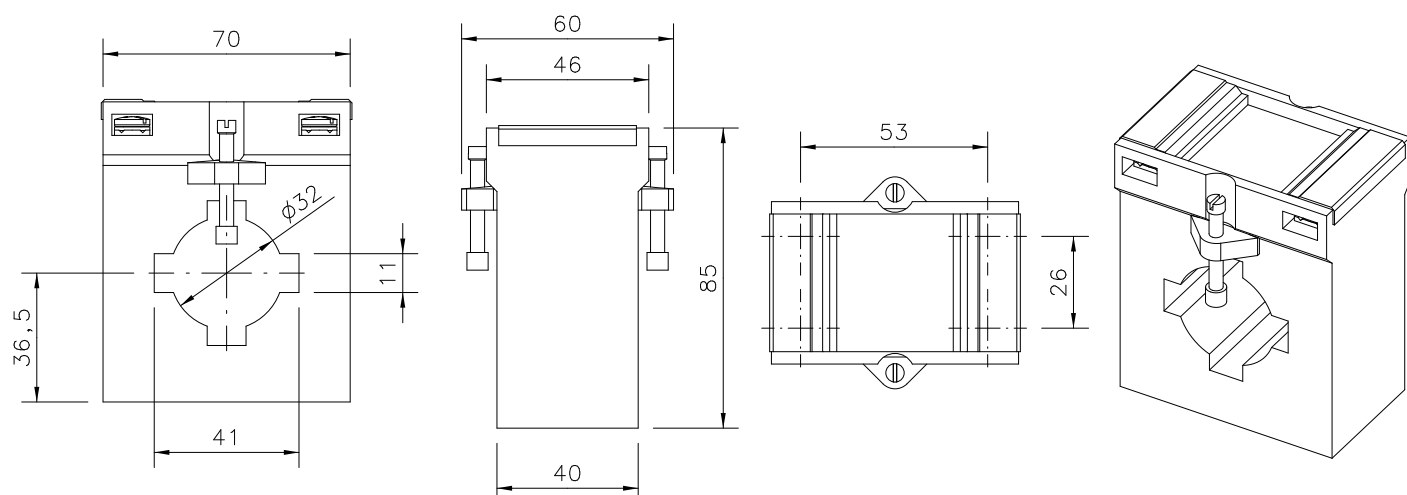
CEWE QB 48 maximum demand A-meters



Current transformer XR 00/1



Current transformer XR 2/3



Contact us

ABB AS

Low Voltage Products

P.O. Box 100, Sentrum

N-3701 Skien, Norway

Phone: +47 35 58 25 00

Fax: +47 35 58 28 00

www.abb.com/fusegear

A part of its on-going product improvement, ABB reserves the right to modify the characteristics or the products described in this brochure. The information given is not contractual. For further details please contact the ABB company marketing these products in your country.

