



Product brochure

# ABB Fusegear InLine Fuse Switch Disconnecter



# InLine

XLBM Fuse Switch Disconnecter 160 - 1250 A

XUBM Fuse Rail 160 - 630 A

BXL Disconnecter 1000 - 2000 A

## Contents

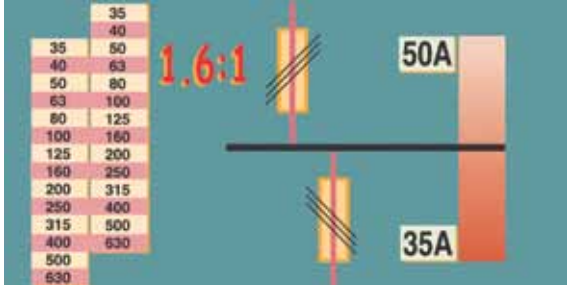
1. Fuse protection	5
2. General	6
3. Standard apparatus	8
4. IP20 Z-busbars system and accessories	16
5. Electronic Fuse Monitoring (EFM)	18
6. Accessories	
- Common features XLBM	19
- XUBM	20
- Current metering	21
- XLBM	22
7. Installation	23
8. Cable termination and cable shroud	25
9. Technical data	28
10. Ordering tables	30
11. Dimensional drawings	36



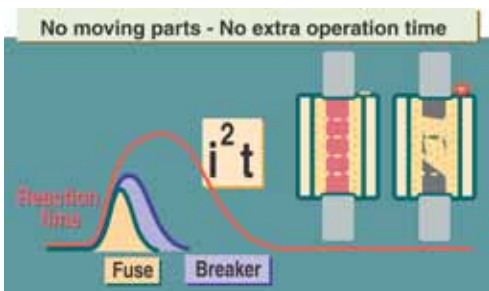


# InLine

## 1. Fuse protection



- No need for calculation tools
- Easy and economical selectivity



- No moving parts
- No extra operation time

## Fuse protection - Easy and reliable

- Economical installation
- Easy and economical selectivity
- No need for calculation tools
- No need to change the present structure when more power is needed
- No moving parts
- No extra operation time
- No arc space
- No emission of gasses at short circuits

## Fuse protection - Easy and reliable

The fuse is a superior short circuit protection element regarding the maximum allowed cut-off current (peak let through current) and energy value.

This is more important the higher the voltage and prospective fault levels are. The InLine fuse switch disconnectors fulfil the highest requirements for modern switch fuses with a total safety concept. The switch fuses are tested according to the EN 60947-3 standard with more stringent requirements for isolation, making, performance and safety. The fuse rails are tested according to IEC 60269-2-1.

The melting curves and current limiting diagrams for NH fuse links are given in the IEC 269-2 standard. The standardised fuse characteristics and high degree of current limitation ensure that there is a simple and effective co-ordination with fuse links and other devices.

Fuse links provide a simple procedure for selecting the right fuse type for your installation, without complicated calculations or calculation tools. Fuses prevent “blackouts”. Only the fuse nearest a fault trips without upstreams fuses (feeders or mins) being affected. Fuses thus provide selective coordination.

When more power is needed in an installation, more feeders can be added without changing the present structure or any new selectivity calculations. Fuse links will assure selectivity in the installation by 1,6:1 difference in the rated current.

## Economical installation

Lifetime costs of fuse systems are low. Fuse links which can withstand a high fault level and a fault current, are available at economical prices. After fuse operation, only the fuse link has to be changed.

Because the fuse links can be rapidly and easily replaced, plant down time and maintenance are substantially reduced with a fuse link system.

Because the fusing elements operate in a cylinder, they are not affected by their surroundings. Thus their protecting characteristics remain stable year after year. The dynamic stress on the network and its equipment is dependent of the let through energy ( $i^2t$ ) at a short circuit. The fuse link provides the best protection compared to other solutions, at high short circuit currents.

As the fuse link body is filled with quartz sand, there will be no emission of gases or arcs when a short circuit occurs. This again leads to less stress on the network and a higher degree of personal safety.

# InLine

## 2. General

### The new solution for your distribution

#### Family presentation

InLine is the new generation of vertical fuse switch disconnectors, fuse rails and disconnectors from ABB. ABB has a long history in producing these types of devices, and the first generation was introduced already in 1967. The InLine family consists of fuse rails, single-, and triple pole operated fuse switch disconnectors and incoming/outgoing units.

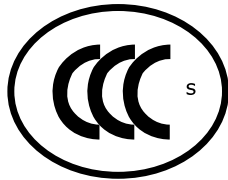
#### Areas of applications

- Cable distribution cabinets (CDC)
- Low voltage distribution in secondary transformer substations
- Distribution boards for industry, housing and office buildings
- Installations



# InLine

## 2. General



**Award for Design Excellence**  
Awarded by the Norwegian Design Council



### Protection

- Fully type tested in accordance with IEC 60947-3 and IEC 60269-2-1
- 185mm busbar distance
- For flat busbar or IP20 Z-profile busbar
- Wide range of accessories
- Possibility of top, bottom or side cable connection
- IP30 from the front
- Available with Electronic Fuse Monitoring (EFM)
- Current metering on both the cable and busbar side and in front
- Safe live installation with IP20 system
- V0 – flame retardant materials

### Advantages

- Complete range for all applications
- Modern and sturdy design
- Flexibility – snap on solutions

# InLine

## 3. Standard apparatus

### XUBM Fuse Rail



	XUBM00	XUBM1/2/3
Fuse link	NH00	NH1/2/3
Rated current	160 A	250 A 400 A 630 A
Module width	50 mm	100 mm
Cable Al/Cu mm <sup>2</sup> <sup>1)</sup>	1,5 - 95	95 - 240
Cable terminal <sup>2)</sup>	M8	M12
Order code	1SEP102110R0101	XUBM1 - 1SEP102111R0101 XUBM2 - 1SEP102112R0101 XUBM3 - 1SEP102113R0101

1) Cable lugs in accordance with DIN 46235 and DIN 46239\*  
\* Al-cable lugs must be tin-coated

2) Cable clamps are available as accessories

# InLine

## 3. Standard apparatus

### XLBM Fuse Switch Disconnecter



	<b>XLBM00-3P-100</b>	<b>XLBM00-1P</b>	<b>XLBM00-3P</b>	<b>XLBM00-3PL-CC</b>
Fuse link	NH00	NH00	NH00	NH00
Rated current	160 A	160 A	160 A	160 A
Module width	50 mm	50 mm	50 mm	50 mm
Cable Al/Cu mm <sup>2</sup> <sup>1)</sup>	1,5 - 95	1,5 - 95	1,5 - 95	2,5 - 95
Cable terminal <sup>2)</sup>	M8	M8	M8	Cable clamps
Order code	1SEP101818R0002	1SEP102140R0101	1SEP102140R0121	1SEP102140R0143

1) Cable lugs in accordance with DIN 46235 and DIN 46239\*  
\* Al-cable lugs must be tin-coated

2) Cable clamps are available as accessories

# InLine

## 3. Standard apparatus

### XLBM Fuse Switch Disconnecter



	XLBM1/2/3-1P	XLBM1/2/3-3P	XLBM800A/1250A-1P	XLBM800A/1250A-3P
Fuse link	NH1/2/3	NH1/2/3	NH1/2/3	NH1/2/3
Rated current	250 A	250 A	800 A	800 A
	400 A	400 A	1250 A	1250 A
	630 A	630 A		
Module width	100 mm	100 mm	200 mm	200 mm
Cable Al/Cu mm <sup>2</sup> <sup>1)</sup>	95 - 240	95 - 240	4 x 240	4 x 240
Cable terminal <sup>2)</sup>	M12	M12	4 x M12	4 x M12
Order code	XLBM1 - 1SEP102141R0101	XLBM1 - 1SEP102141R0121	800A - 1SEP102173R0002	800A - 1SEP102174R0002
	XLBM2 - 1SEP102142R0101	XLBM2 - 1SEP102142R0121	1250A - 1SEP102173R0001	1250A - 1SEP102174R0001
	XLBM2Cu+ - 1SEP408492R0001	XLBM2Cu+ - 1SEP408493R0001		
	XLBM3 - 1SEP102143R0101	XLBM3 - 1SEP102143R0121		
	XLBM3Cu+ - 1SEP102400R0200	XLBM3Cu+ - 1SEP102400R0220		

1) Cable lugs in accordance with DIN 46235 and DIN 46239\*  
\* Al-cable lugs must be tin-coated

2) Cable clamps are available as accessories



# InLine

## 3. Standard apparatus BXL Disconnector



	<b>BXL1000A-1P (-MB)</b>	<b>BXL1000A-3P (-MB)</b>	<b>BXL1250A/1600A-1P</b>	<b>BXL1600A-3P</b>	<b>BXL2000A-1P-MB</b>	<b>BXL2000A-3P-MB</b>
Fuse link	Solid links <sup>3)</sup>	Solid links <sup>3)</sup>	Solid links <sup>3)</sup>	Solid links <sup>3)</sup>	Solid links <sup>3)</sup>	Solid links <sup>3)</sup>
Rated current	1000 A	1000 A	1250 A 1600 A	1600 A	2000 A	2000 A
Module width	100 mm	100 mm	200 mm	200 mm	200 mm	200 mm
Cable Al/Cu mm <sup>2</sup> <sup>1)</sup>	2 x 240	2 x 240	4 x 240	4 x 240	4 x 240	4 x 240
Cable terminal <sup>2)</sup>	2 x M12	2 x M12	4 x M12	4 x M12	4 x M12	4 x M12
Order code	1SEP102402R0210 MB -1SEP102402R0100	1SEP102402R0220 MB -1SEP102402R0120	1250A - 1SEP102191R0002 1600A - 1SEP102191R0001	1SEP102191R0003	1SEP102403R0100	1SEP102403R0120

1) Cable lugs in accordance with DIN 46235 and DIN 46239\*  
\* Al-cable lugs must be tin-coated

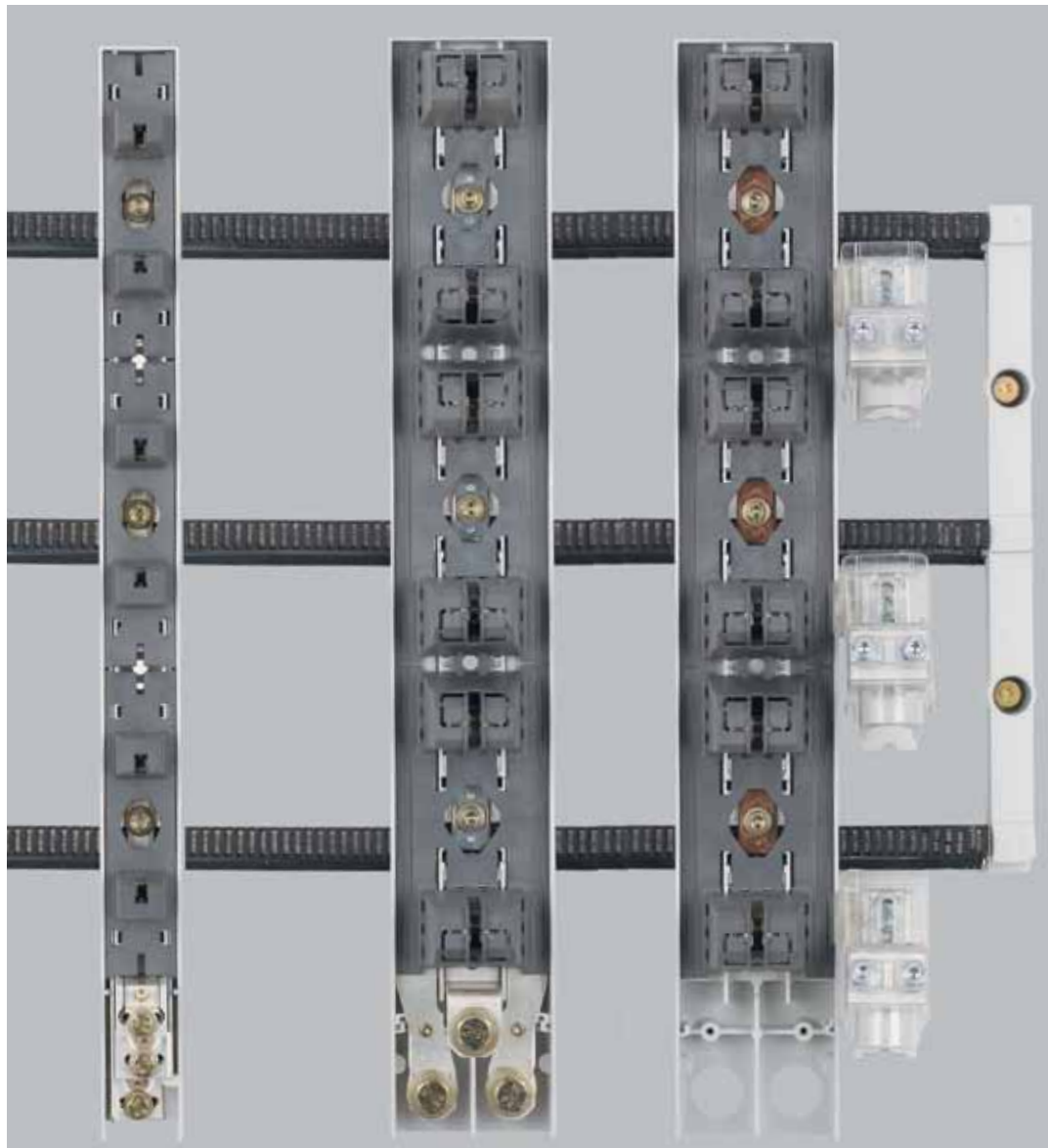
2) Cable class B, PEX isolated or similar

3) The solid links are included

# InLine

## 3. Standard apparatus

### XUBM-Z Fuse Rail with hooked clamp



	XUBM00-Z	XUBM1/2/3-Z	XUBM1/2/3-ZS
Fuse link	NH00	NH1/2/3	NH1/2/3
Rated current	160 A	250 A 400 A 630 A	250 A 400 A 630 A
Module width	50 mm	100 mm	150 mm
Cable Al/Cu mm <sup>2</sup> <sup>1)</sup>	1,5 - 95	95 - 240	50 - 300
Cable terminal <sup>2)</sup>	M8	M12	Clamps
Order code	1SEP102110R0201	XUBM1 - 1SEP102111R0201 XUBM2 - 1SEP102112R0201 XUBM3 - 1SEP102113R0201	XUBM1 - 1SEP102111R0405 XUBM2 - 1SEP102112R0405 XUBM3 - 1SEP102113R0405

1) Cable lugs in accordance with DIN 46235 and DIN 46239\*  
\* Al-cable lugs must be tin-coated

2) Cable class B, PEX isolated or similar



# InLine

## 3. Standard apparatus

### XLBM 1 pole Fuse Switch Disconnecter with hooked clamp



	XLBM00-1P-Z	XLBM1/2/3-1P-Z	XLBM1/2/3-1P-ZS	XLBM1/2/3-1P-Z2S
Fuse link	NH00	NH1/2/3	NH1/2/3	NH1/2/3
Rated current	160 A	250 A 400 A 630 A	250 A 400 A 630 A	250 A 400 A 630 A
Module width	50 mm	100 mm	150 mm	208 mm
Cable Al/Cu mm <sup>2</sup> <sup>1)</sup>	1,5 - 95	95 - 240	50 - 300	2 x 50 - 300
Cable terminal <sup>2)</sup>	M18	M12	Clamps	Clamps
Order code	1SEP102140R0201	XLBM1-1SEP102141R0201 XLBM2-1SEP102142R0201 XLBM3-1SEP102143R0201	XLBM1-1SEP102141R0401 XLBM2-1SEP102142R0401 XLBM3-1SEP102143R0401	XLBM1-1SEP102141R0501 XLBM2-1SEP102142R0501 XLBM3-1SEP102143R0501

1) Cable lugs in accordance with DIN 46235 and DIN 46239\*  
\* Al-cable lugs must be tin-coated

2) Cable class B, PEX isolated or similar

# InLine

## 3. Standard apparatus

### XLBM 3 pole Fuse Switch Disconnecter with hooked clamp



	XLBM00-3P-Z	XLBM1/2/3-3P-Z	XLBM1/2/3-3P-ZS	XLBM1/2/3-3P-Z2S
Fuse link	NH00	NH1/2/3	NH1/2/3	NH1/2/3
Rated current	160 A	250 A 400 A 630 A	250 A 400 A 630 A	250 A 400 A 630 A
Module width	50 mm	100 mm	150 mm	208 mm
Cable Al/Cu mm <sup>2</sup> <sup>1)</sup>	1,5 - 95	95 - 240	50 - 300	2 x 50 - 300
Cable terminal <sup>2)</sup>	M8	M12	Clamps	Clamps
Order code	1SEP102140R0221	XLBM1-1SEP102141R0221 XLBM2-1SEP102142R0221 XLBM3-1SEP102143R0221	XLBM1-1SEP102141R0421 XLBM2-1SEP102142R0421 XLBM3-1SEP102143R0421	XLBM1-1SEP102141R0521 XLBM2-1SEP102142R0521 XLBM3-1SEP102143R0521

1) Cable lugs in accordance with DIN 46235 and DIN 46239\*  
\* Al-cable lugs must be tin-coated

2) Cable class B, PEX isolated or similar

# InLine

## 3. Standard apparatus

### BXL Disconnecter and XLBM Fuse Switch Disconnecter with hooked clamp



	BXL1000A-1P-Z	BXL1000A-3P-Z	XLBM800A/1250A-1P-Z	XLBM800A/1250A-3P-Z
Fuse link	Solid links <sup>3)</sup>	Solid links <sup>3)</sup>	NH2/3	NH2/3
Rated current	1000 A	1000 A	800 A 1250 A	800 A 1250 A
Module width	50 mm	100 mm	200 mm	200 mm
Cable Al/Cu mm <sup>2</sup> <sup>1)</sup>	2 x 240	2 x 240	4 x 240	4 x 240
Cable terminal <sup>2)</sup>	2 x M12	2 x M12	4 x M12	4 x M12
Order code	1SEP1021480R0201	1SEP102148R0221	800A - 1SEP102173R0004 1250A - 1SEP102173R0003	800A - 1SEP102174R0004 1250A - 1SEP102174R0003

1) Cable lugs in accordance with DIN 46235 and DIN 46239\*  
\* Al-cable lugs must be tin-coated  
Al conductors have to be brushed and greased before connection

2) Cable class B, PEX isolated or similar

3) The solid links are included

# InLine

## 4. IP20 Z-busbars system and accessories

### IP20 Z-busbars

Z-busbars for 400/630 A. The busbar kit includes:

- Busbar L1, L2 and L3
- Two busbar holders

The Z-busbars are completely IP20 protected.



#### BZ 400 A

Type	Rated current	Width	Order code
DCN00-Z400A/445-P	400 A	445 mm	1SEP201621R0001
DCN0-Z400A/578-P	400 A	578 mm	1SEP201621R0002
DCN1-Z400A/774-P	400 A	774 mm	1SEP201621R0004

#### BZ 630 A

Type	Rated current	Width	Order code
DCN00-Z630A/578-P	630 A	578 mm	1SEP201621R0003
DCN0-Z630A/774-P	630 A	774 mm	1SEP201621R0005
DCN1-Z630A/1105-P	630 A	1105 mm	1SEP201621R0006

XUBM-Z and XLBM-Z may be hooked on:

- Z busbars
- Standard flat busbars, Al/Cu

# InLine

## 4. IP20 Z-busbars system and accessories

Module with hooked clamp (Z)



Diazed fuse rail



Feeding clamp for IP20 Z-busbar



	AKZD 95	AKKZ 300	LDL 63/3
Rated current	160 A	630 A	63 A
Module width	35 mm	55 mm	105 mm
Cable Al/Cu mm <sup>2</sup>	6 - 95 / 2 x 6 - 50	50 - 300	6 - 25
Order code	1SEP731594R0001	1SEP731521R0001	1SEP731530R0001

# InLine

## 5. Electronic Fuse Monitoring (EFM)



### Electronic Fuse Monitoring (EFM)

The fuse monitor is a fuse blown monitoring and indication device. The voltage supply to the internal electronic device is supported directly by connection to the internal fuse holders.

In case of a blown fuse, the internal relay will trip for giving possible remote alarm. Additionally the green LED lamp in the front will change to red.

After replacement to a new fuse link, the relay will automatically be reset.

NOTE: The fuse monitor requires supply from the busbar side..

Technical data:	
Minimum operation voltage	340V
Maximum operation voltage	770V
Uimp. over a blown fuse	12,3kV
Uimp. between phases	9,8kV
Uimp. between main circuit / relay contacts	9,8kV
Dielectric test voltage input / output	3,5kV / 50Hz / 1 minute
Electrostatic Discharge	EN 61000-4-2 ± 4kV
Electrical Fast Transient	EN 61000-4-4 ± 2kV
Conducted Fast Transient	EN 61000-4-6 10Vrms / 150kHz - 80MHz
Wire size	AWG 22-12/0,2-2,5mm <sup>2</sup>
EMC tested	Yes
Relay:	
Nominal current	8A
Maximum switching voltage	240VAC, 24VDC

The Matrix below show all possible cases of indication

Fuse status	LED		Relay contacts			
	Green LED	Red LED	NO contact 13, 14		NC contact 21, 22	
			Open	Closed	Open	Closed
1. Closed						
Fuses OK	☀	●	X			X
Fuses BLOWN	●	☀		X	X	
2. Open						
Fuses OK	●	●	X			X
Fuses BLOWN	●	●	X			X

Power supply to the EFM unit from phase L2 and L3

**NB!** If, when a fuse is blown, there is a loss in the power supply voltage, it must be for minimum of 10 seconds to ensure the correct reset of the relay.



# InLine

## 6. Accessories

Common features XLBM

Sealing



Voltage measurement



Interlocked by use of cable shroud



**Padlock – closed position**



**Padlock – open position**

# InLine

## 6. Accessories

XUBM



Fuse protection cover

- IP20 protection during service work
- require phase barrier kit



Cable shroud



Phase barrier kit

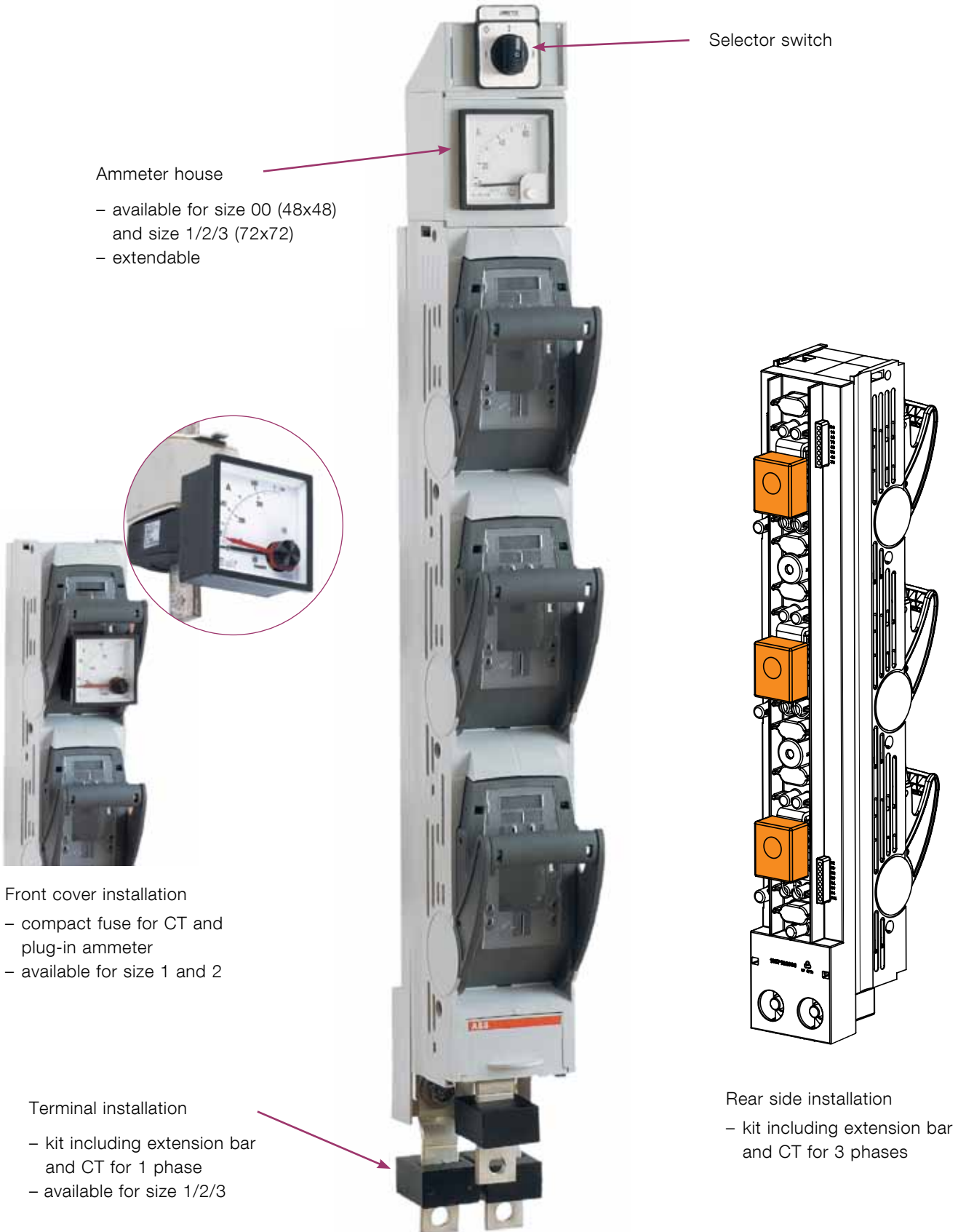
- for segregation of each phase
- possibility for outlet description



# InLine

## 6. Accessories

### Current metering



# InLine

## 6. Accessories

XLBM

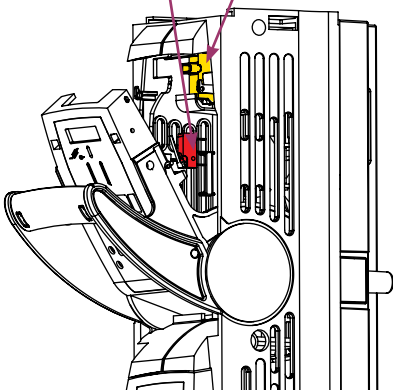


Label holder

Micro switch  
– one or two per phase



Auxiliary switch



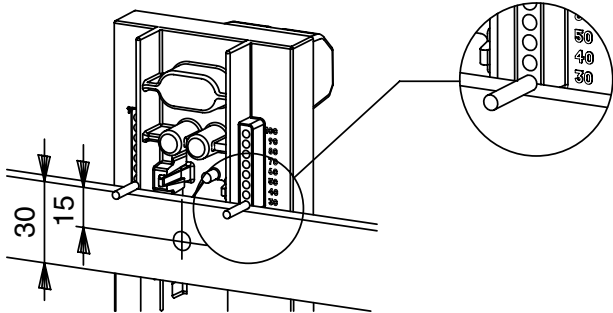
Huckepack  
– for temporary additional output



Cable shroud

# InLine

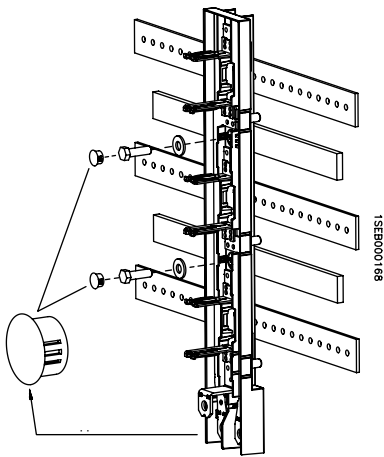
## 7. Installation



1SEB000104

### Guide marks

In the back of the fuse rail it is printed "guide marks". This makes it easier to mark drilling holes in the busbar.

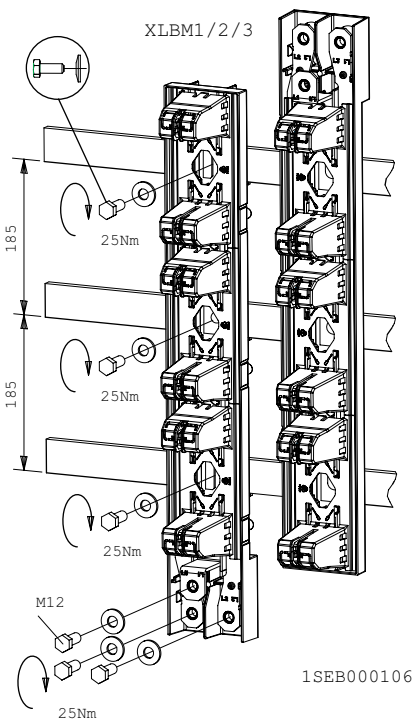


1SEB000168

### Insulation plugs

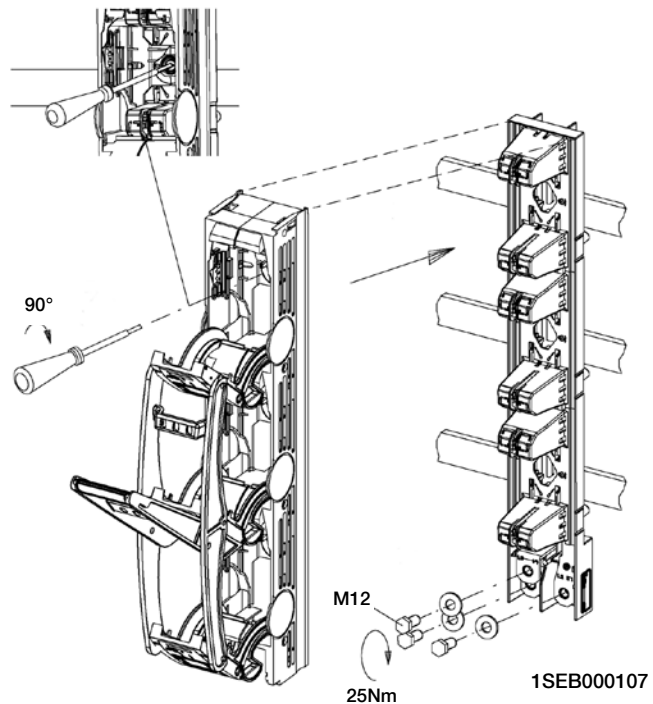
By use of support bars, XLBM123 Insulation plugs for support busbars (1SEP408429R0001) are available.

### Top/bottom cable termination



1SEB000106

### Fixing the fuse switch housing

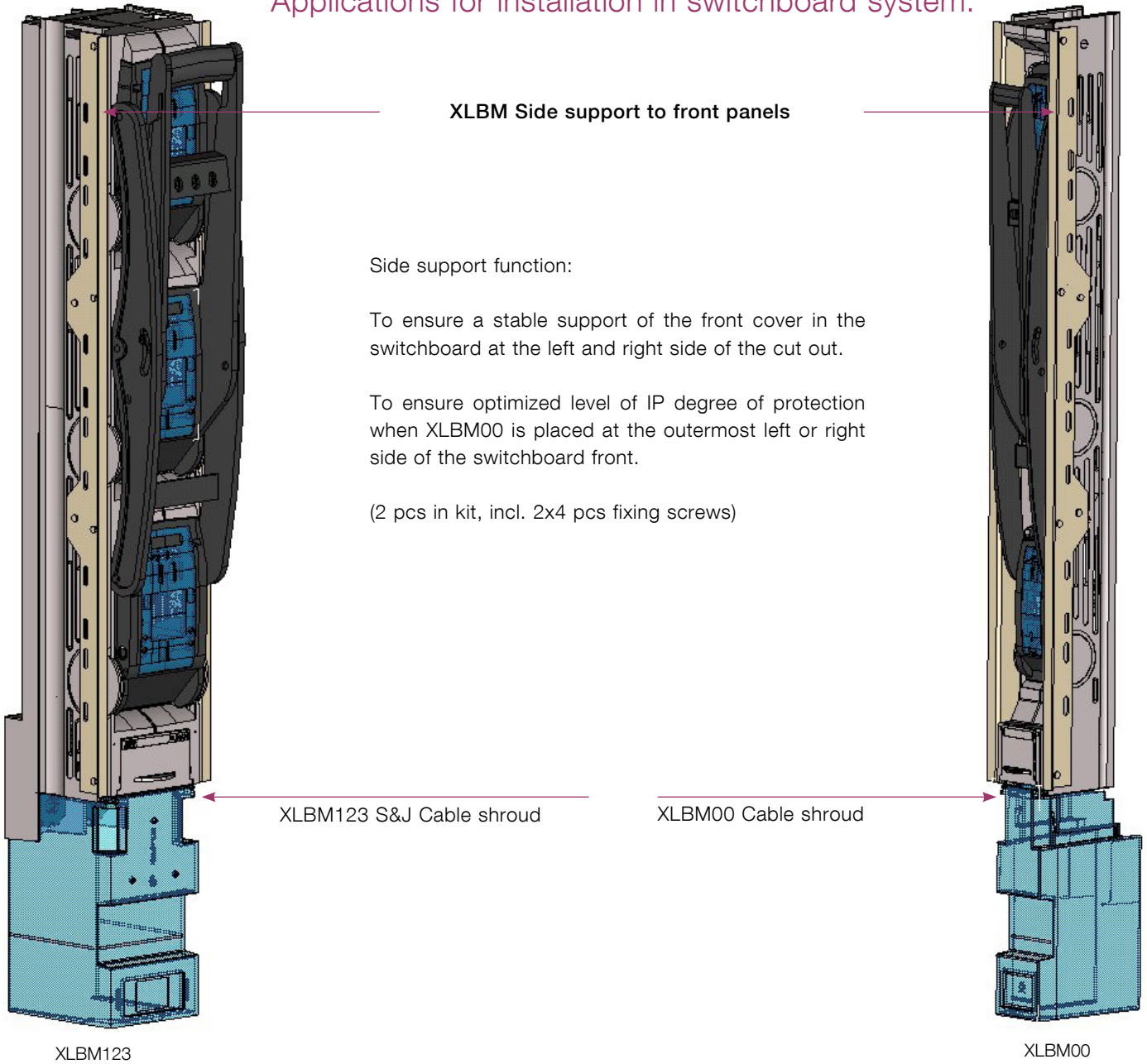


1SEB000107

# InLine

## 7. Installation

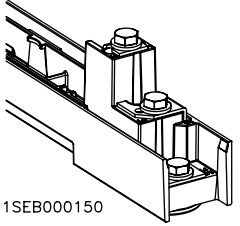
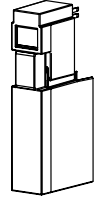
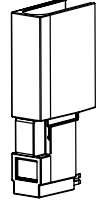
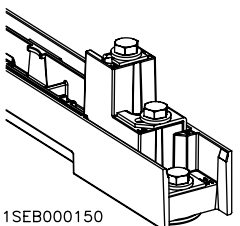

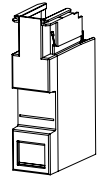
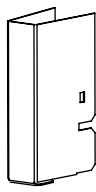
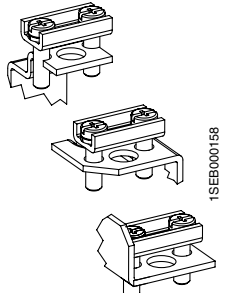

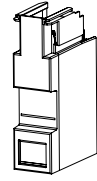
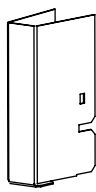
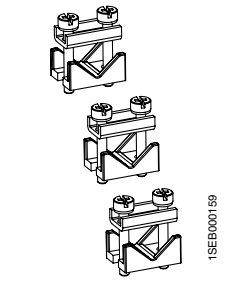

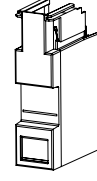
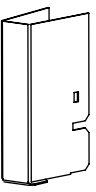
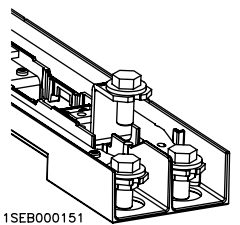
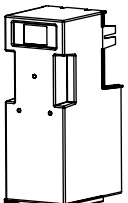
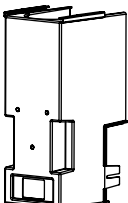
Applications for installation in switchboard system.



Type designation	Suitable for	Order code
XLBM00 Cable shroud H=185mm	XLBM00	1SEP408126R0001
XLBM123 Cable shroud for S&J	XLBM1,2,3	1SEP408418R0001
XLBM Side support to front panels	XLBM00,1,2,3	1SEP408416R0001

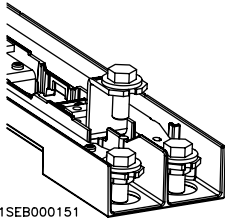
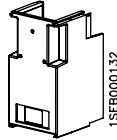
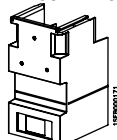

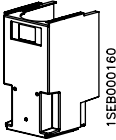
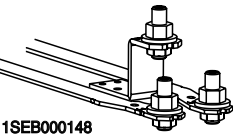
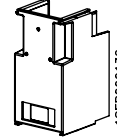
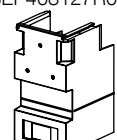

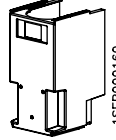
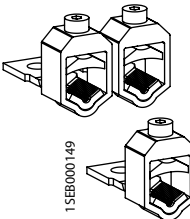
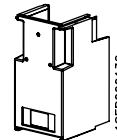
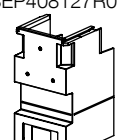

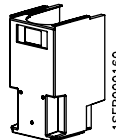
# InLine

## 8. Cable termination and Cable shroud

	Type of clamp/bolt with order code	Conductor cross section min-max		Torque (Nm)	Type of cable shroud down with order code	Type of cable shroud up with order code
		Rm/Sm (mm <sup>2</sup> )	Re/Se (mm <sup>2</sup> )			
XUBM00						
	Bolt (Standard)	Max 95	Max 95	10	 1SEP408124R0001	 1SEP408124R0001
XLBM00						
	Bolt (Standard)	Max 95	Max 95	10	 1SEP408128R0001  1SEP408126R0001	 1SEP408255R0001
	Bridge clamp (BC) 1SEP407733R0001	1,5 - 50	1,5 - 50	3,5	 1SEP408128R0001  1SEP408126R0001	 1SEP408255R0001
	Single Prism clamp (SPC) 1SEP407732R0005	1,5 - 95	1,5 - 95	3,5	 1SEP408128R0001  1SEP408126R0001	 1SEP408255R0001
XUBM1/2/3						
	Bolt (Standard)	Max 240	Max 240	25	 1SEP408125R0001	 1SEP408125R0001

# InLine

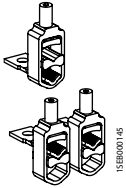
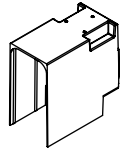
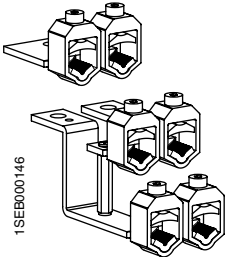
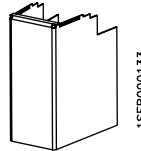
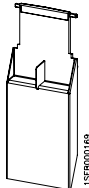
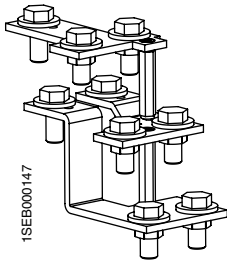
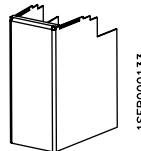
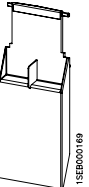
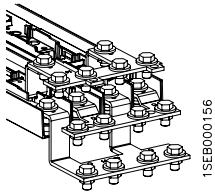
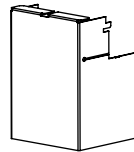
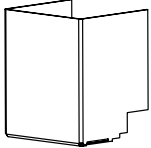
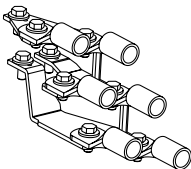
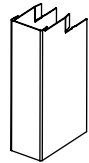
## 8. Cable termination and Cable shroud

	Type of clamp/bolt with order code	Conductor cross section min-max		Torque (Nm)	Type of cable shroud down with order code	Type of cable shroud up with order code
		Rm/Sm (mm <sup>2</sup> )	Re/Se (mm <sup>2</sup> )			
XLBM1/2/3						
 <p>1SEB000151</p>	Bolt /Standard)	Max 240	Max 240	25	 <p>1SEP408127R0001</p>  <p>1SEP408418R0001</p>  <p>1SEP408413R0002/3</p>	 <p>1SEP408127R0001</p>
 <p>1SEB000148</p>	M12 Terminal stud bolts 1SEP408259R0001	Max 240	Max 240	25	 <p>1SEP408127R0001</p>  <p>1SEP408418R0001</p>  <p>1SEP408413R0002/3</p>	 <p>1SEP408127R0001</p>
 <p>1SEB000149</p>	V-clamp kit NOTE! Pressure pad can be turned 1SEP304446R0001	Rm: 16 - 35 50 - 185 Sm: 35 - 50 70 - 240	Re: 16 - 70 70 - 150 Se: 35 - 70 95 - 300	25	 <p>1SEP408127R0001</p>  <p>1SEP408418R0001</p>  <p>1SEP408413R0002/3</p>	 <p>1SEP408127R0001</p>



# InLine

## 8. Cable termination and Cable shroud

	Type of clamp/bolt with order code	Conductor cross section min-max		Torque (Nm)	Type of cable shroud down with order code	Type of cable shroud up with order code
		Rm/Sm (mm <sup>2</sup> )	Re/Se (mm <sup>2</sup> )			
XLBM1/2/3						
	Double V-clamp kit for CDC 1SEP304457R0001	Rm: 2 x 50 - 185 Sm: 2 x 95 - 240	Re: 2 x 70 - 240 Se: 2 x 120 - 300	22	 1SEP305089R0001	
	Double V-clamp kit for switchboards 1SEP408268R0001	Rm: 2 x 16 - 35 2 x 50 - 185 Sm: 2 x 35 - 50 2 x 70 - 240	Re: 2 x 16 - 70 2 x 70 - 150 Se: 2 x 35 - 70 2 x 95 - 300	25	 1SEP408261R0001  1SEP408413R0002/3	
XLBM1/2/3 and BXL1000A						
	Double cable lug kit 1SEP304546R0001	2 x Max 240	2 x Max 240	25	 1SEP408261R0001  1SEP408413R0002/3	
XLBM800A/1250A, BXL1000A(-MB), 1250A/1600A/2000A-MB						
	Bolt (Standard) 1SEP000156	4 x Max 240	4 x Max 240	25	 1SEP408310R0001	 1SEP408339R0001
	Bolt kit 1SEP408698R0001	2 x Max 300	2 x Max 300	25	 1SEP408765R0001	

### XUBM Fuse Rail

		XUBM00	XUBM1	XUBM2	XUBM3
For NH fuse links acc. to IEC60269-2-1		00	1	2	3
Rated operational voltage U <sub>e</sub>	(V)	690	690	690	690
Rated operational current I <sub>e</sub>	(A)	160	250	400	630
Rated insulation voltage U <sub>i</sub>	(V)	1000	1000	1000	1000
Conditional short circuit current - with fuse links	(kArms)	50	50	50	50
Rated frequency	(Hz)	50 - 60	50 - 60	50 - 60	50 - 60
Degree of protection from the front acc. to IEC60529 *)		IP20	IP20	IP20	IP20

\*) With fuse protection cover or isolated gripping lugs

### XLBM Fuse Switch Disconnecter

		XLBM00-3P-100			XLBM00-3PL-CC			XLBM00			
For NH fuse links acc. to IEC60269-2-1		00			00			00			
Rated operational voltage U <sub>e</sub>	(V)	400	400	500	400	500	690	400	500	690	
Rated operational current I <sub>e</sub>	(A)	160	160	160	160	160	125	160	160	125	
Thermal current w/fuse link I <sub>th</sub>	(A)	160	160			160			160		
Rated insulation voltage U <sub>i</sub>	(V)	1000	1000			1000			1000		
Rated impulse withstand voltage U <sub>imp</sub>	(kV)	8	8			8			8		
Fuse protected short circuit withstand	(kArms)	50	50			50			50		
Fuse protected short circuit making	(kArms)	50	50			50			50		
Rated making and breaking capacity		AC22B	AC23B	AC22B	AC23B	AC22B	AC21B	AC23B	AC22B	AC21B	
Rated frequency	(Hz)	50 - 60	50 - 60			50 - 60			50 - 60		
Degree of protection from the front acc. to IEC60529 *)	Open	IP20	IP20			IP20			IP20		
	Closed	IP30	IP30			IP30			IP30		

		XLBM1			XLBM2			XLBM3		
For NH fuse links acc. to IEC60269-2-1		1			2			3		
Rated operational voltage U <sub>e</sub>	(V)	400	500	690	400	500	690	400	500	690
Rated operational current I <sub>e</sub>	(A)	250	250	200	400	400	315	630	630	500
Thermal current w/fuse link I <sub>th</sub>	(A)	250			400			630		
Rated insulation voltage U <sub>i</sub>	(V)	1000			1000			1000		
Rated impulse withstand voltage U <sub>imp</sub>	(kV)	8			8			8		
Fuse protected short circuit withstand	(kArms)	50			50			50		
Fuse protected short circuit making	(kArms)	50			50			50		
Rated making and breaking capacity		AC23B	AC22B	AC21B	AC23B	AC22B	AC21B	AC23B	AC22B	AC21B
Rated frequency	(Hz)	50 - 60			50 - 60			50 - 60		
Degree of protection from the front acc. to IEC60529 *)	Open	IP20			IP20			IP20		
	Closed	IP30			IP30			IP30		



### XLBM Fuse Switch Disconnecter

		XLBM2 Cu+	XLBM3 Cu+	XLBM800A	XLBM1250A
For NH fuse links acc. to IEC60269-2-1		2	3	2	3
Rated operational voltage Ue	(V)	500	415	500	500
Rated operational current Ie	(A)	400	630	800	1250
Thermal current w/fuse link Ith	(A)	400	630	800	1250
Rated insulation voltage Ui	(V)	1000	1000	1000	1000
Rated impulse withstand voltage Uimp	(kV)	8	8	8	8
Fuse protected short circuit withstand	(kArms)	50	50	50	50
Fuse protected short circuit making	(kArms)	30	30	50	50
Rated making and breaking capacity		AC22B	AC22B	AC21B	AC21B
Rated frequency	(Hz)	50 - 60	50 - 60	50 - 60	50 - 60
Degree of protection from the front acc.	Open	IP20	IP20	IP20	IP20
to IEC60529 *)	Closed	IP30	IP30	IP30	IP30

### BXL Disconnecter

		BXL1000A	BXL1000A-MB	BXL1250A
Rated operational voltage Ue	(V)	500	500	500
Rated operational current Ie	(A)	1000	1000	1250
Thermal current w/fuse link Ith	(A)	1000	1000	1250
Rated insulation voltage Ui	(V)	1000	1000	1000
Rated impulse withstand voltage Uimp	(kV)	8	8	8
Rated making and breaking capacity		AC22B	AC22B	AC20B
Rated frequency	(Hz)	50 - 60	50 - 60	50 - 60
Degree of protection from the front acc.	Open	IP20	IP20	IP20
	Closed	IP30	IP30	IP30
Short time withstand current (1 sec.)	(kArms)	1P = 12 3P = 12	1P = 12 3P = 12	1P = 12

		BXL1600A	BXL2000A-MB
Rated operational voltage Ue	(V)	500	500
Rated operational current Ie	(A)	1600	2000
Thermal current w/fuse link Ith	(A)	1600	2000
Rated insulation voltage Ui	(V)	1000	1000
Rated impulse withstand voltage Uimp	(kV)	8	8
Rated making and breaking capacity		AC20B	AC21B
Rated frequency	(Hz)	50 - 60	50 - 60
Degree of protection from the front acc.	Open	IP20	IP20
	Closed	IP30	IP30
Short time withstand current (1 sec.)	(kArms)	1P = 12 3P = 12	1P = 12 3P = 12

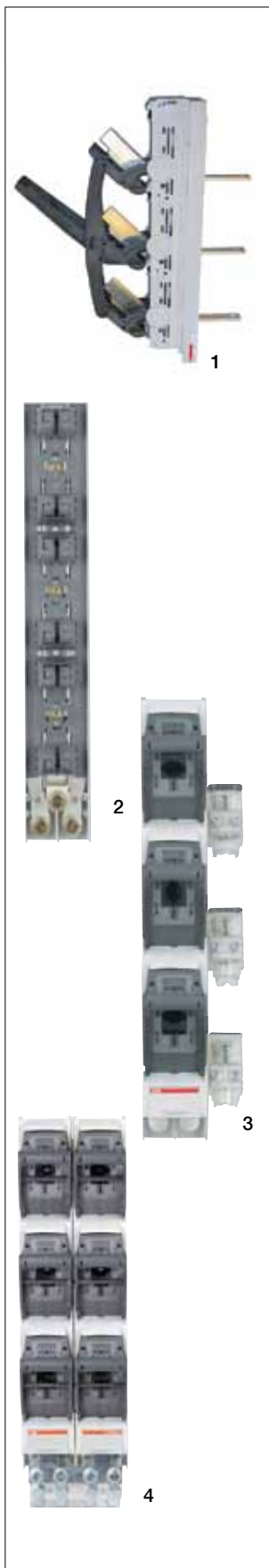


Type	Designation	Item Description	Order code	Weight (Kg)	
<b>Fuse Rail - XUBM</b>					
1	XUBM00	160A, incl. 3xM8 bolts	1SEP102110R0101	1,5	
	XUBM1	250A, incl. 3xM12 bolts	1SEP102111R0101	2,9	
	XUBM2	400A, incl. 3xM12 bolts	1SEP102112R0101	3,4	
	XUBM3	630A, incl. 3xM12 bolts	1SEP102113R0101	3,9	
<b>Fuse Switch Disconnecter - XLBM 1-pole</b>					
2	XLBM00-1P	160A 1 pole, incl. 3xM8 bolts	1SEP102140R0101	2,2	
	XLBM00-1P-EFM	160A 1 pole, incl. EFM, incl. 3xM8 bolts	1SEP102140R0111	2,3	
	XLBM1-1P	250A 1 pole, incl. 3xM12 bolts	1SEP102141R0101	4,2	
	XLBM1-1P-EFM	250A 1 pole, incl. EFM, incl. 3xM12 bolts	1SEP102141R0111	4,4	
	XLBM1-1P-L	250A 1 pole, 3xM12 bolts, front cable shroud	1SEP102141R9101		
	XLBM2-1P	400A 1 pole, incl. 3xM12	1SEP102142R0101	4,7	
	XLBM2-1P-EFM	400A 1 pole, incl. EFM, incl. 3xM12 bolts	1SEP102142R0111	4,9	
	XLBM2-1P-L	400A 1 pole, 3xM12 bolts, front cable shroud	1SEP102142R9101		
	XLBM2-1P	400A 1 pole, 3xM12 bolts, 42 pcs in pallet	1SEP102142R8101		
	XLBM2-1P Cu+	400A 1 pole, with extre Cu-crossection	1SEP408492R0001	5,2	
	XLBM3-1P	630A 1 pole, incl. 3xM12 bolts	1SEP102143R0101	5,2	
	XLBM3-1P-EFM	630A 1 pole, incl. EFM, incl. 3xM12 bolts	1SEP102143R0111	5,4	
	XLBM3-1P-L	630A 1 pole, 3xM12 bolts, front cable shroud	1SEP102143R9101		
	XLBM3-1P	630A 1 pole, 3xM12 bolts, 42 pcs in pallet	1SEP102143R8101		
	XLBM3-1P Cu+	630A 1 pole, with extre Cu-crossection	1SEP102400R0200	6,8	
	XLBM800A-1P	800A 1 pole, incl. 4x3 xM12 bolts	1SEP102173R0002	11,8	
XLBM1250A-1P	1250A 1 pole, incl. 4x3 M12 bolts	1SEP102173R0001	12,3		
<b>Fuse Switch Disconnecter - XLBM 3-pole</b>					
4	XLBM00-3P	160A 3 pole, incl. 3xM8 bolts	1SEP102140R0121	2,3	
	XLBM00-3P-100	160A 3 pole, 100mm busbardist, 3xM8	1SEP101818R0002	1,6	
	XLBM00-3P-EFM	160A 3 pole, incl. EFM, incl. 3xM8 bolts	1SEP102140R0131	2,4	
	XLBM00-3P	160A 3 pole, 3xM8 bolts, 100 pcs in pallet	1SEP102140R8121		
	XLBM00-3P-L-CC	160A 3 pole, incl. 3 cable clamps	1SEP102140R0143	2,6	
	3	XLBM1-3P	250A 3 pole, incl. 3xM12 bolts	1SEP102141R0121	4,3
		XLBM1-3P-EFM	250A 3 pole, incl. EFM, incl. 3xM12 bolts	1SEP102141R0131	4,5
		XLBM1-3P-L	250A 3 pole, 3xM12 bolts, front cable shroud	1SEP102141R9121	
		XLBM2-3P	400A 3 pole, incl. 3xM12 bolts	1SEP102142R0121	4,8
		XLBM2-3P-EFM	400A 3 pole, incl. EFM, incl. 3xM12 bolts	1SEP102142R0131	5,0
		XLBM2-3P-L	400A 3 pole, 3xM12 bolts, front cable shroud	1SEP102142R9121	
		XLBM2-3P	400A 3 pole, 3xM12 bolts, 42 pcs in pallet	1SEP102142R8121	
XLBM2-3P Cu+		400A 3 pole, with extre Cu-crossection	1SEP408493R0001	5,3	
XLBM3-3P		630A 3 pole, incl. 3xM12 bolts	1SEP102143R0121	5,3	
XLBM3-3P-EFM		630A 3 pole, incl. EFM, incl. 3xM12 bolts	1SEP102143R0131	5,5	
XLBM3-3P-L		630A 3 pole, 3xM12 bolts, front cable shroud	1SEP102143R9121		
XLBM3-3P		630A 3 pole, 3xM12 bolts, 42 pcs in pallet	1SEP102143R8121		
XLBM3-3P Cu+	630A 3 pole, with extre Cu-crossection	1SEP102400R0220	6,9		
XLBM800A-3P	800A 3 pole, incl. 4x3 xM12 bolts	1SEP102174R0002	11,7		
XLBM1250A-3P	1250A 3 pole, incl. 4x3 M12 bolts	1SEP102174R0001	12,2		

# InLine

## 10. Ordering tables

### BXL and XUBM / XLBM with hooked clamps (Z)



	Type Designation	Item Description	Order code	Weight (Kg)
<b>Disconnecter - BXL</b>				
1	BXL1000A-1P	1000A 1 pole, incl. 2x3 M12 bolts	1SEP102402R0210	5,9
	BXL1000A-3P	1000A 3 pole, incl. 2x3 M12 bolts	1SEP102402R0220	6,0
	BXL1000A-1P-MB	1000A 1 pole, incl. 2x3 M12 bolts	1SEP102402R0121	7,1
	BXL1000A-3P-MB	1000A 3 pole, incl. 2x3 M12 bolts	1SEP102402R0120	7,2
	BXL1250A-1P	1250A 1 pole, incl. 4x3 M12 bolts	1SEP102191R0002	12,3
	BXL1600A-1P	1600A 1 pole, incl. 4x3 M12 bolts	1SEP102191R0001	12,3
	BXL1600A-3P	1600A 3 pole, incl. 4x3 M12 bolts	1SEP102191R0003	12,4
	BXL2000A-1P-MB	2000A 1 pole, incl. 2x3 M12 bolts	1SEP102403R0100	16,1
	BXL2000A-3P-MB	2000A 3 pole, incl. 2x3 M12 bolts	1SEP102403R0120	16,3
<b>Fuse Rail - XUBM with hooked clamp (Z)</b>				
2	XUBM00-Z	160A, w. hooked clamp, incl. 3xM8	1SEP102110R0201	1,7
	XUBM1-Z	250A, w. hooked clamp, incl. 3xM12	1SEP102111R0201	3,2
	XUBM1-ZS	250A, w. hooked clamp, side connection, incl 3 clamps	1SEP102111R0405	3,2
	XUBM2-Z	400A, w. hooked clamp, incl. 3xM12	1SEP102112R0201	3,8
	XUBM2-ZS	400A, w. hooked clamp, side connection, incl 3 clamps	1SEP102112R0405	3,7
	XUBM3-Z	630A, w. hooked clamp, incl. 3xM12	1SEP102113R0201	4,2
	XUBM3-ZS	630A, w. hooked clamp, side connection, incl 3 clamps	1SEP102113R0405	4,1
	<b>Fuse Switch Disconnecter - XLBM 1-pole with hooked clamp (Z)</b>			
3	XLBM00-1P-Z	160A 1 pole, w. hooked clamp, incl. 3xM8	1SEP102140R0201	2,4
	XLBM00-1P-EFM-Z	160A 1 pole, incl. EFM, w. hooked clamp incl. 3xM8 bolts	1SEP102140R0211	2,5
	XLBM1-1P-Z	250A 1 pole, w. hooked clamp, incl. 3xM12	1SEP102141R0201	4,5
	XLBM1-1P-EFM-Z	250A 1 pole, incl. EFM, w. hooked clamp, incl. 3xM12 bolts	1SEP102141R0211	4,7
	XLBM1-1P-ZS	250A 1 pole, w. hooked clamp, side connection, incl 3 clamps	1SEP102141R0401	4,5
	XLBM1-1P-Z2S	250A 1 pole, w. hooked clamp, double side connection, incl 6 clamps	1SEP102141R0501	5,8
	XLBM2-1P-Z	400A 1 pole, w. hooked clamp, incl. 3xM12	1SEP102142R0201	4,9
	XLBM2-1P-EFM-Z	400A 1 pole, incl. EFM, w. hooked clamp, incl. 3xM12 bolts	1SEP102142R0211	5,1
	XLBM2-1P-ZS	400A 1 pole, w. hooked clamp, side connection, incl 3 clamps	1SEP102142R0401	5,0
	XLBM2-1P-Z2S	400A 1 pole, w. hooked clamp, double side connection, incl 6 clamps	1SEP102142R0501	6,3
	XLBM3-1P-Z	630A 1 pole, w. hooked clamp, incl. 3xM12	1SEP102143R0201	5,5
	XLBM3-1P-EFM-Z	630A 1 pole, incl. EFM, w. hooked clamp, incl. 3xM12 bolts	1SEP102143R0211	5,7
4	XLBM3-1P-ZS	630A 1 pole, w. hooked clamp, side connection, incl 3 clamps	1SEP102143R0401	5,4
	XLBM3-1P-Z2S	630A 1 pole, w. hooked clamp, double side connection, incl 6 clamps	1SEP102143R0501	6,7
	XLBM800A-1P-Z	800A 1 pole, w. hooked clamp, incl. 4x3 xM12 bolts	1SEP102173R0004	12,1
	XLBM1250A-1P-Z	1250A 1 pole, w. hooked clamp, incl. 4x3 M12 bolts	1SEP102173R0003	12,6

# InLine

## 10. Ordering tables

### XLBM / BXL with hooked clamps (Z)



Type	Designation	Item Description	Order code	Weight (Kg)
<b>Fuse Switch Disconnecter - XLBM 3-pole with hooked clamp (Z)</b>				
	XLBM00-3P-Z	160A 3 pole, w. hooked clamp, incl. 3xM8	1SEP102140R0221	2,5
	XLBM00-3P-Z	160A 3 pole, w. hooked clamp, incl. 3xM8 100 pcs in pallet	1SEP102140R8221	
	XLBM00-3P-EFM-Z	160A 3 pole, incl. EFM, w. hooked clamp incl. 3xM8 bolts	1SEP102140R0231	2,6
	XLBM00-3P-EFM-Z-CC	160A 3 pole, incl. EFM, w. hooked clamp incl. 3x cable clamp	1SEP102140R1233	
	XLBM00-3PL-Z-CC	160A 3 pole, bottom hinged w. hooked clamp, incl. 3x cable clamp	1SEP102140R1243	2,7
	XLBM00-3PL-Z-DCC	160A 3 pole, bottom hinged, w. hooked clamp, incl. 3x double cable clamp	1SEP102140R1244	2,7
	XLBM00-3PL-ZT-CC	160A 3 pole, bottom hinged, w. hooked clamp, top cable conn, incl 3xcable clamp	1SEP102140R1743	2,7
	XLBM1-3P-Z	250A 3 pole, w. hooked clamp, incl. 3xM12	1SEP102141R0221	4,6
	XLBM1-3P-EFM-Z	250A 3 pole, incl. EFM, w. hooked clamp, incl. 3xM12 bolts	1SEP102141R0231	4,8
1	XLBM1-3P-ZS	250A 3 pole, w. hooked clamp, side connection, incl 3 clamps	1SEP102141R0421	4,6
	XLBM1-3P-Z2S	250A 3 pole, w. hooked clamp, double side connection, incl 6 clamps	1SEP102141R0521	5,8
	XLBM2-3P-Z	400A 3 pole, w. hooked clamp, incl. 3xM12	1SEP102142R0221	5,2
	XLBM2-3P-EFM-Z	400A 3 pole, incl. EFM, w. hooked clamp, incl. 3xM12 bolts	1SEP102142R0231	5,4
	XLBM2-3P-ZS	400A 3 pole, w. hooked clamp, side connection, incl 3 clamps	1SEP102142R0421	5,1
	XLBM2-3P-Z2S	400A 3 pole, w. hooked clamp, double side connection, incl 6 clamps	1SEP102142R0521	6,3
	XLBM2-3P-Z	400A 3 pole, w. hooked clamp, 42 pcs in pallet, incl. 3xM12 bolts	1SEP102142R8221	
	XLBM2-3P-ZS	400A 3 pole, w. hooked clamp, 25 pcs in pallet, incl 3 clamps	1SEP102142R8421	
	XLBM3-3P-Z	630A 3 pole, w. hooked clamp, incl. 3xM12	1SEP102143R0221	5,6
	XLBM3-3P-EFM-Z	630A 3 pole, incl. EFM, w. hooked clamp, incl. 3xM12 bolts	1SEP102143R0231	5,8
	XLBM3-3P-ZS	630A 3 pole, w. hooked clamp, side connection, incl 3 clamps	1SEP102143R0421	5,5
2	XLBM3-3P-Z2S	630A 3 pole, w. hooked clamp, double side connection, incl 6 clamps	1SEP102143R0521	6,7
	XLBM800A-3P-Z	800A 3 pole, w. hooked clamp, incl. 4x3 xM12 bolts	1SEP102174R0004	12,0
3	XLBM1250A-3P-Z	1250A 3 pole, w. hooked clamp, incl. 4x3 M12 bolts	1SEP102174R0003	12,5
<b>Disconnecter - BXL with hooked clamp (Z)</b>				
	BXL1000A-1P-Z	1000A 1 pole, w. hooked clamp, incl. 2x3 M12 bolts	1SEP102148R0201	6,2
	BXL1000A-3P-Z	1000A 3 pole, w. hooked clamp, incl. 2x3 M12 bolts	1SEP102148R0221	6,3

# InLine

## 10. Ordering tables

### Z - busbar and common accessories



Type	Designation	Item Description	Order code	Weight (Kg)
<b>IP20 Z-busbars kit</b>				
1	DCN00-Z400A/445	400A/445mm, incl. IP20 busbars&holders	1SEP201621R0001	1,3
	DCN00-Z400A/578	400A/578mm, incl. IP20 busbars&holders	1SEP201621R0002	1,8
	DCN00-Z400A/774	400A/774mm, incl. IP20 busbars&holders	1SEP201621R0004	3,2
	DCN00-Z630A/578	630A/578mm, incl. IP20 busbars&holders	1SEP201621R0003	4,0
	DCN00-Z630A/774	630A/774mm, incl. IP20 busbars&holders	1SEP201621R0005	6,5
	DCN00-Z630A/1105	630A/1105mm, incl. IP20 busbars&holders	1SEP201621R0006	8,5
<b>Common accessories</b>				
	Insulated hexagon key NV6		NHSN950001P0006	0,1
2	Micro auxiliary switch	6A/250V	1SEP407742R0001	0,01
3	Auxiliary switch NC	10A/690V	1SEP407742R0002	0,02
	Auxiliary switch NO	10A/690V	1SEP407742R0003	0,02



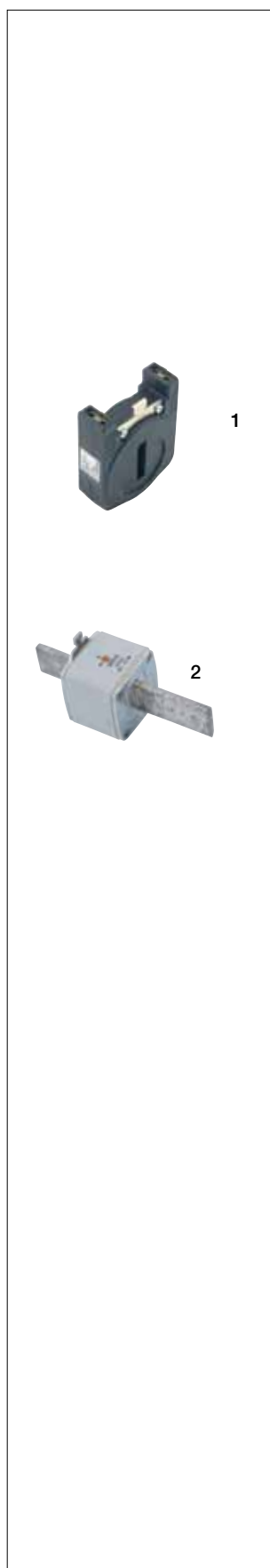


Type	Designation	Item Description	Order code	Weight (Kg)	
<b>Accessories XUBM/XLBM00-100</b>					
	00-100	Cable shroud for clamps, H=106mm	1SEP304058R0001	0,02	
	00-100	Cable shroud extended for cable lugs, H=150mm	1SEP304061R0001	0,05	
	00-100	Label holder	1SEP304068R0001	0,01	
	00-100	Phase barrier kit	Kit incl. 3 pcs	1SEP304105R0001	0,05
	00-100	Height alignment kit	1SEP304067R0001	0,03	
	00-100	Micro switch	1SEP304060R0002	0,01	
	00-100	Single adapter for 60mm busbar distance	1SEP304064R0001	0,3	
	00-100	Single adapter 100 to 185mm busbar distance	1SEP304066R0001	0,4	
1	00-100	Double adapter 100 to 185mm busbar distance	1SEP304065R0001	0,7	
	00-100	Hooked clamp	Kit incl. 3 pcs	1SEP304059R0001	0,03
	00-100	Prism clamp	Kit incl. 3 pcs	1SEP304056R0001	0,1
<b>Accessories XUBM/XLBM00</b>					
	XUBM00	Fuse protection cover	1SEP201543R0001	0,3	
	XUBM00	Phase barrier kit	Kit incl. 2 pcs	1SEP304442R0001	0,05
2	XUBM00	Cable shroud	1SEP408124R0001	0,2	
	XLBM00	Cable shroud down, H=185mm	1SEP408126R0001	0,15	
	XLBM00	Cable shroud up, H=180mm	1SEP408255R0001		
	XLBM00	Cable shroud short, H=64mm	1SEP408128R0001	0,1	
3	XLBM00	Label holder	1SEP408139R0001	0,1	
	XLBM00	A-meter house for A-meter 48x48mm	1SEP408141R0001	0,05	
	Max. A-meter	QB48, 0-150-180/5A	NHSN714003P1150	0,1	
	CT busbar	160/5A 2,5VA cl. 1	Kit incl. 3 pcs	1SEP408149R0001	0,6
	00	Bridge clamp (3BC) 1,5-50mm <sup>2</sup>	Kit incl. 3 pcs	1SEP407733R0001	0,04
	00	Single prism clamp (3PC) 1,5-95mm <sup>2</sup>	Kit incl. 3 pcs	1SEP407732R0001	0,09
	00	Single adapter M12 to M8 for 185mm busbar distance	1SEP304072R0001	0,4	
4	00	Double adapter M12 to M8 for 185mm busbar distance	1SEP304071R0001	0,7	
	00	Spare way cover	1SEP304069R0001	0,2	
	XLBM00-3PL	Upper part with operating handle	1SEP408421R0001		
	XLBM00-1P	Upper part with operating handle	1SEP408421R0002		
	XLBM00-3P	Upper part with operating handle	1SEP408421R0003		
<b>Accessories XUBM/XLBM123</b>					
	XUBM123	Fuse protection cover	1SEP201499R0001	0,35	
	XUBM123	Phase barrier kit	Kit incl. 2 pcs	1SEP304395R0001	0,15
	XUBM123	Cable shroud	1SEP408125R0001	0,25	
	XLBM123	Cable shroud	1SEP408127R0001	0,2	
	XLBM123	Cable shroud for S&J	1SEP408418R0001	0,2	
	XLBM123	Cable shroud for double V-clamp	1SEP304526R0001	0,1	
	XLBM123	Cable shroud for double kit for switchboard	1SEP408261R0001	0,1	
	XLBM2	Front cable shroud	1SEP408413R0002	0,05	
	XLBM3	Front cable shroud	1SEP408413R0003	0,05	
	XLBM123	Label holder	1SEP408140R0001	0,1	
5	XLBM123	A-meter housing IQB72 for A-meter 72x72mm	1SEP408142R0001	0,05	
	Max. A-meter	QB72, 0-150-180/5A	NHSN714004P2206	0,2	
	Max. A-meter	QB72, 0-200-300/5A	NHSN714004P2208	0,2	
	Max. A-meter	QB72, 0-400-480/5A	NHSN714004P2210	0,2	
	Max. A-meter	QB72, 0-600-720/5A	NHSN714004P2212	0,2	

# InLine

## 10. Ordering tables

### Accessories



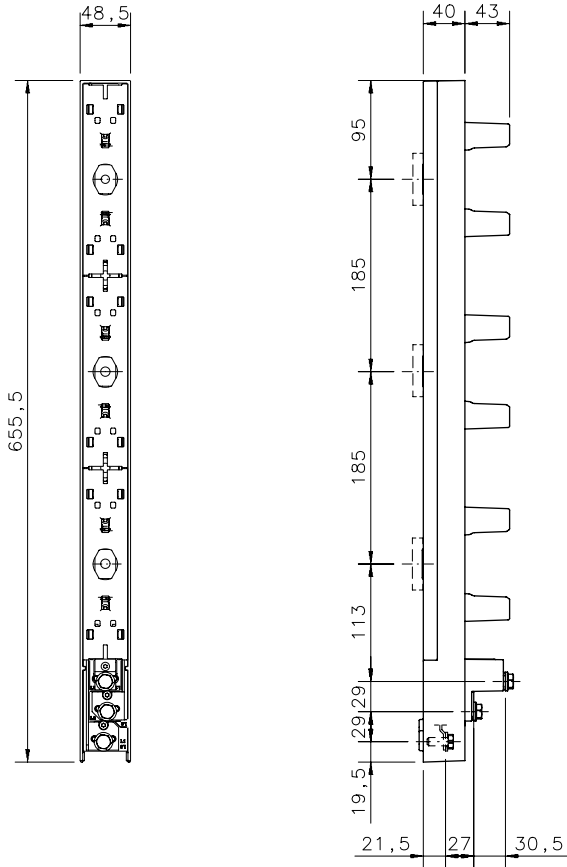
Type	Designation	Item Description	Order code	Weight (Kg)
<b>Accessories XUBM/XLBM123</b>				
	CT busbar 200A/5A 3,75VA cl. 1	Kit incl. 3 CT's	1SEP408149R0002	1,3
	CT busbar 400A/5A 5VA cl. 1	Kit incl. 3 CT's	1SEP408149R0003	1,3
	CT busbar 600A/5A 5VA cl. 1	Kit incl. 3 CT's	1SEP408149R0004	1,3
	CT busbar 600A/5A 5VA cl. 0,5	Kit incl. 3 CT's	1SEP408149R0005	1,3
	CT busbar 200A/5A 3,75VA cl. 1	Kit incl. 1 CT's	1SEP408149R0007	0,6
	CT busbar 400A/5A 5VA cl. 1	Kit incl. 1 CT's	1SEP408149R0008	0,6
	CT busbar 600A/5A 5VA cl. 1	Kit incl. 1 CT's	1SEP408149R0009	0,6
	CT busbar 600A/5A 5VA cl. 0,5	Kit incl. 1 CT's	1SEP408149R0010	0,6
	Plug in A-meter, front cover inst. 200-400/5A		NHPL046270R0001	0,2
1	Plug in CT for front cover inst. A-meter 200/5A 3,5VA cl. 3		NHSN718050P2525	0,1
	Plug in CT for front cover inst. A-meter 400/5A 5VA cl. 3		NHSN718050P2540	0,1
	NH2 Fuse link 400V/100A for plug in CT		NHPL046265R0001	0,5
	NH2 Fuse link 400V/125A for plug in CT		NHPL046266R0001	0,5
	NH2 Fuse link 400V/160A for plug in CT		NHPL046267R0001	0,5
	NH2 Fuse link 400V/200A for plug in CT		NHPL046268R0001	0,5
2	NH2 Fuse link 400V/224A for plug in CT		NHPL046269R0001	0,5
	NH2 Fuse link 400V/250A for plug in CT		NHPL046272R0001	0,5
	NH2 Fuse link 400V/315A for plug in CT		NHPL046273R0001	0,5
	NH2 Fuse link 400V/335A for plug in CT		NHPL046274R0001	0,5
	NH2 Fuse link 400V/400A for plug in CT		NHPL046275R0001	0,5
	XLBM123 Isolation plug for supply busbar		1SEP408429R0001	
	123 Huckepack	Temp. supply outlet	NHSN722068P0002	0,25
	123 V-clamp kit	Kit incl. 3 pcs	1SEP304446R0001	0,45
	123 Double V-clamp kit for CDC	Kit incl. 3 pcs	1SEP304457R0001	0,45
	123 Double V-clamp kit for switchboards	Kit incl. 3 pcs	1SEP408268R0001	0,45
	123 Double cable lug kit for switchboards	Kit incl. 3 pcs	1SEP304546R0001	0,45
	XLBM1-1P Upper part with operating handle		1SEP408422R0001	1,4
	XLBM1-3P Upper part with operating handle		1SEP408422R0002	1,5
	XLBM2-1P Upper part with operating handle		1SEP408422R0003	1,4
	XLBM2-3P Upper part with operating handle		1SEP408422R0004	1,5
	XLBM3-1P Upper part with operating handle		1SEP408422R0005	1,5
	XLBM3-3P Upper part with operating handle		1SEP408422R0006	1,6
<b>Accessories for XLBM800A/1250A</b>				
	XLBM800A/1250A Cable shroud down		1SEP408310R0001	
	XLBM800A/1250A Cable shroud up		1SEP408339R0001	
	XLBM800A-1P Upper part with operating handle		1SEP201613R0001	2,9
	XLBM800A-3P Upper part with operating handle		1SEP201613R0002	3,0
	XLBM1250A-1P Upper part with operating handle		1SEP201613R0003	2,9
	XLBM1250A-3P Upper part with operating handle		1SEP201613R0004	3,0
	Kit for mounting 2 x XLBM630A-3P		1SEP408486R0003	5,1
	Kit for mounting 2 x XLBM400A-3P		1SEP408491R0003	5,1
<b>Common accessories XUBM/XLBM</b>				
	XLBM Side shrouds to front panels		1SEP408416R0001	1,6
	XLBM Side cover kit, IP30		1SEP408654R0001	

# InLine

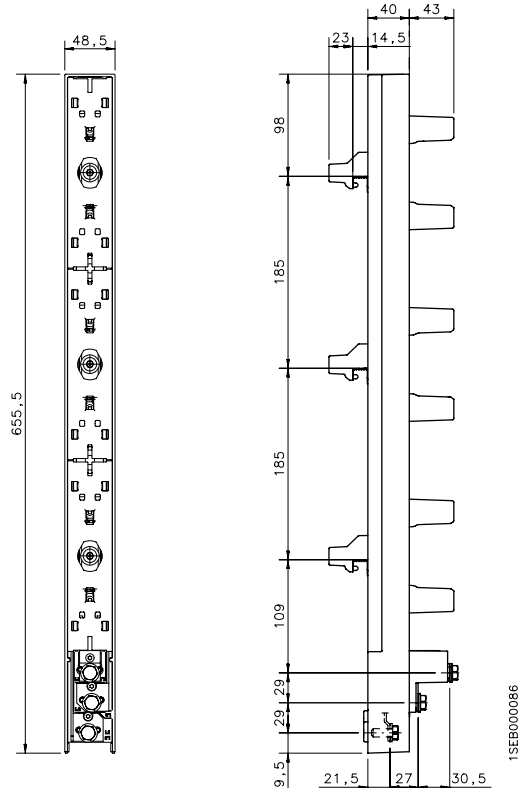
## 11. Dimensional drawings

### XUBM

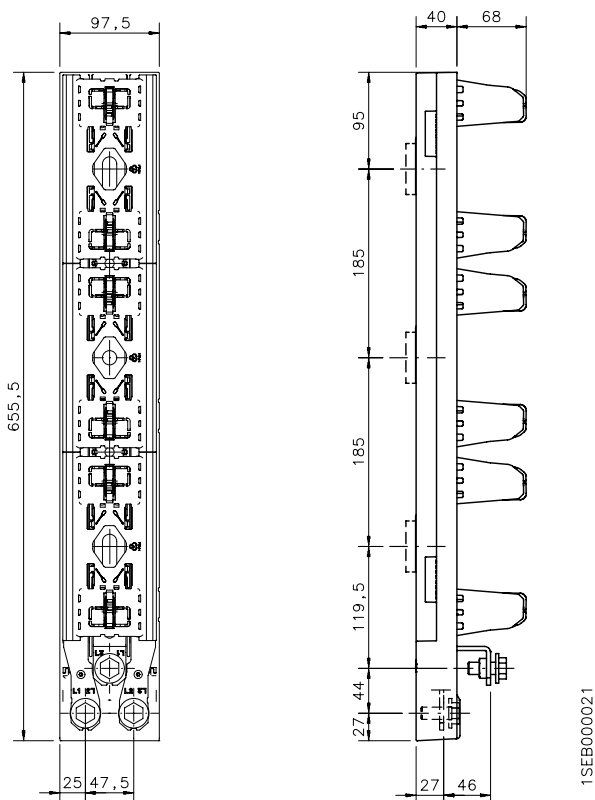
XUBM00



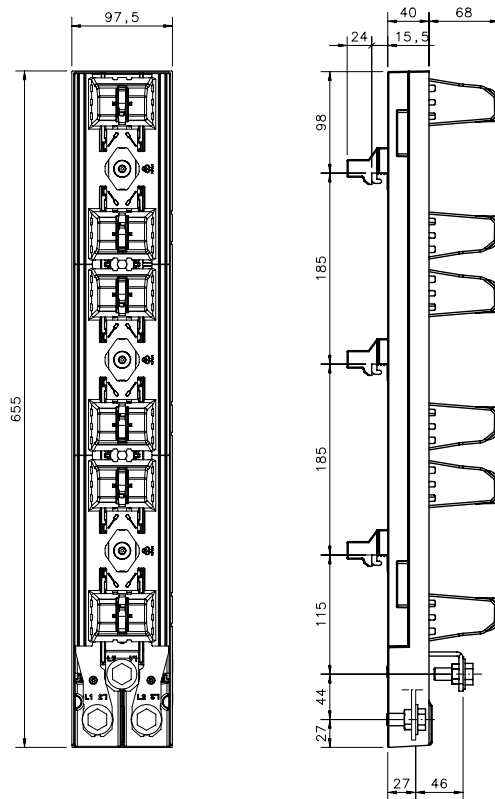
XUBM00-Z



XUBM1/2/3



XUBM1/2/3-Z

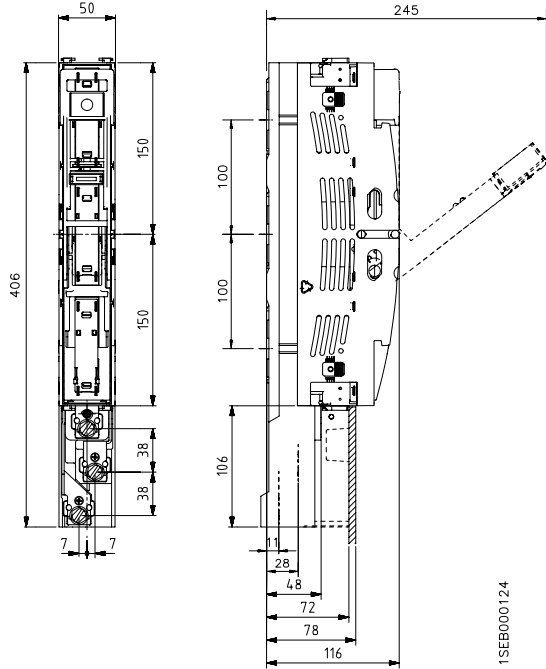




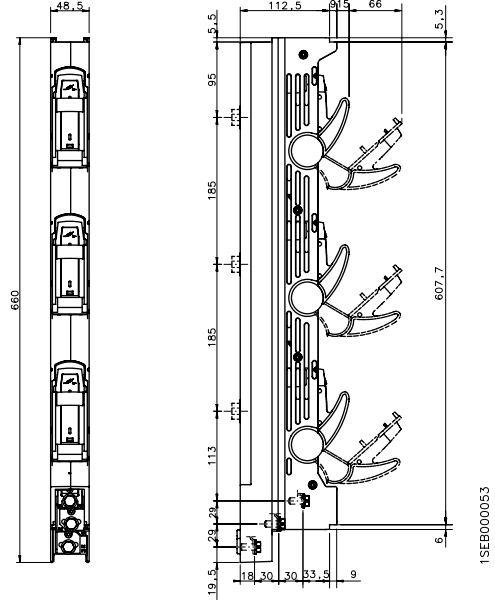
# InLine

## 11. Dimensional drawings XLBM00

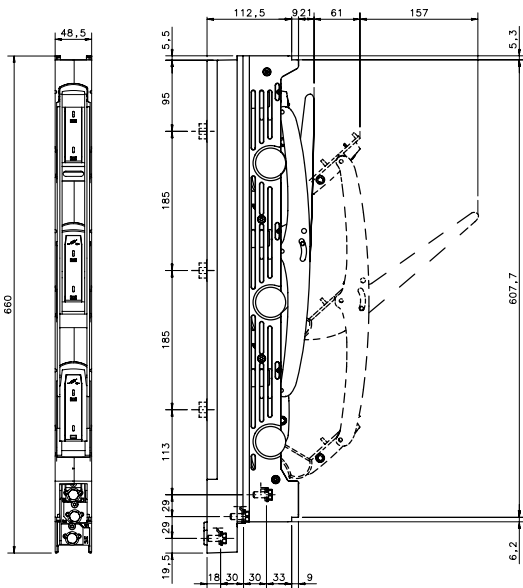
### XLBM00-3P-100



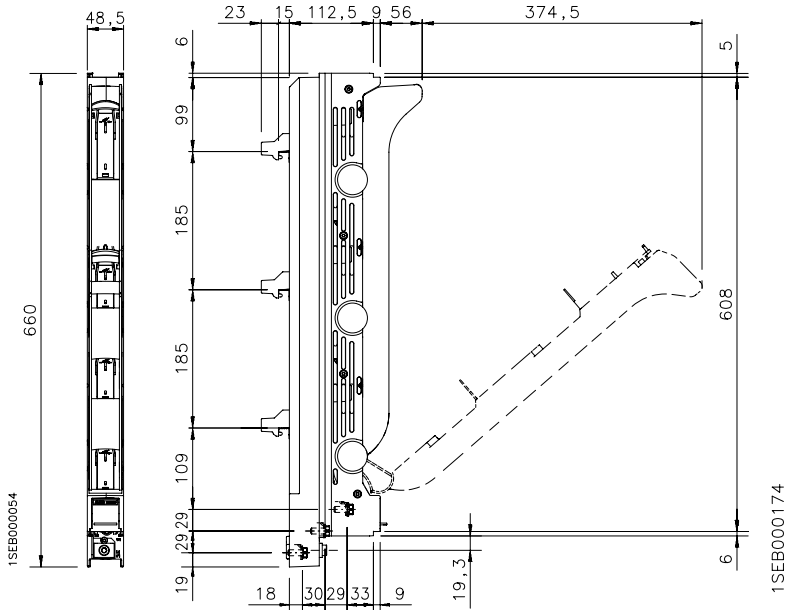
### XLBM00-1P



### XLBM00-3P



### XLBM00-3PL-Z

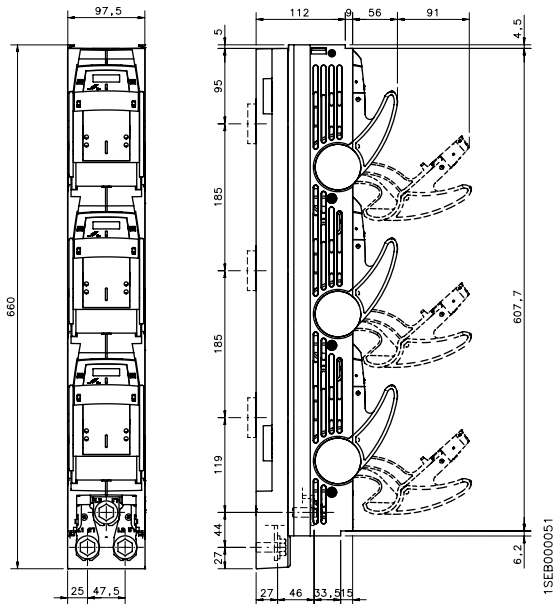


# InLine

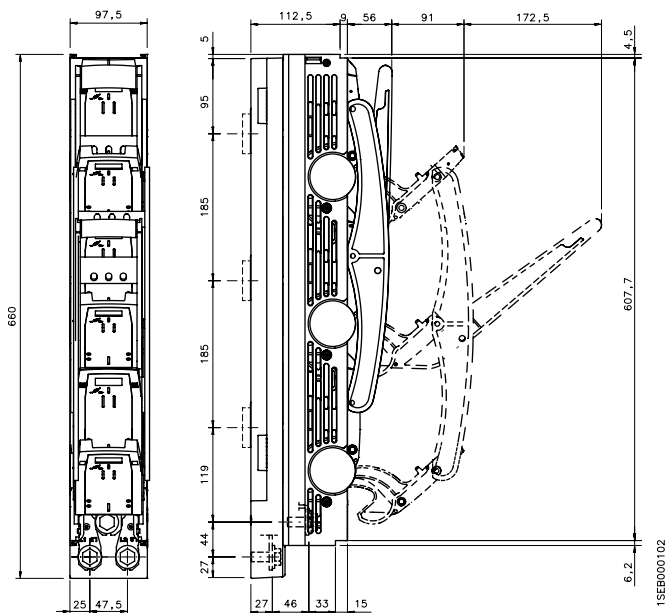
## 11. Dimensional drawings

### XLBM1/2/3

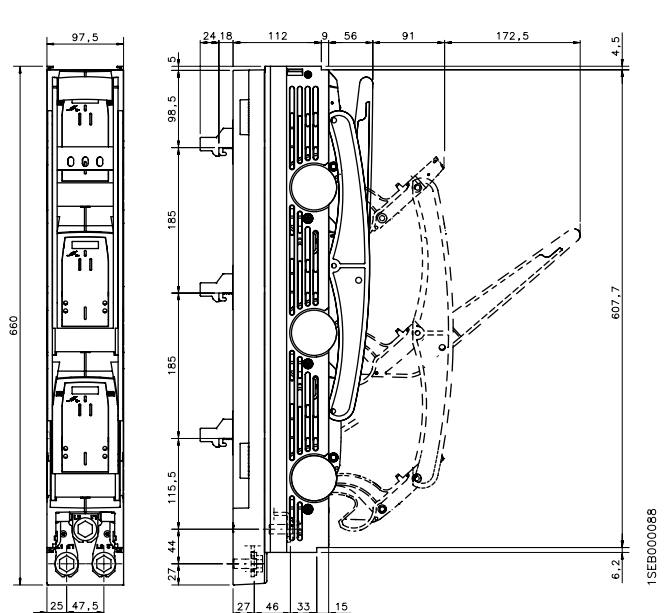
#### XLBM1/2/3-1P



#### XLBM1/2/3-3P



#### XLBM1/2/3-3P-Z

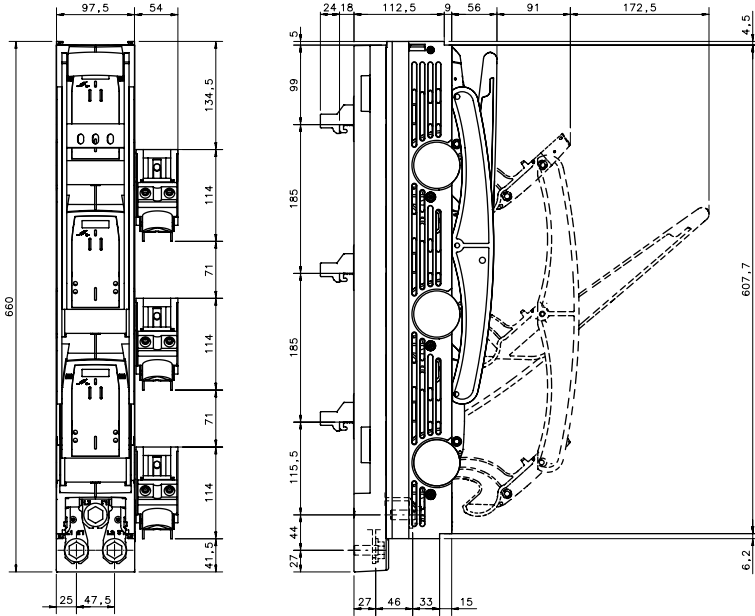


# InLine

## 11. Dimensional drawings

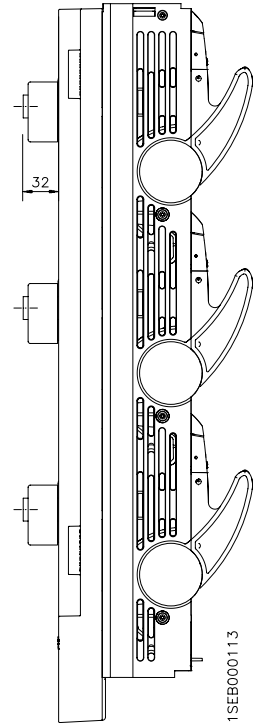
### XLBM1/2/3

#### XLBM1/2/3-3P-ZS



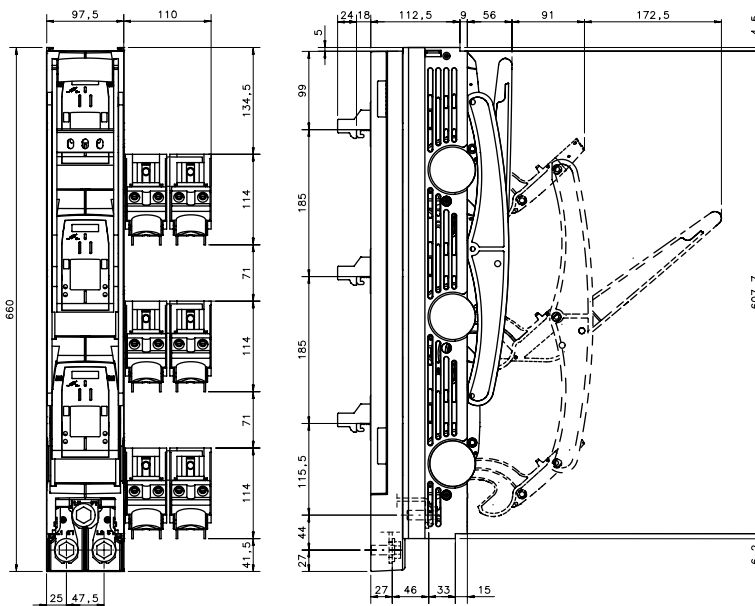
1SEB000103

#### XLBM1/2/3 CT rear side installation



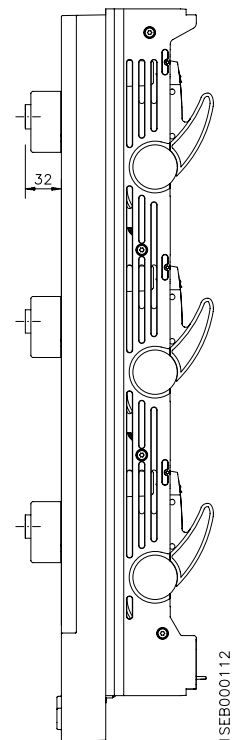
1SEB000113

#### XLBM1/2/3-3P-Z2S



1SEB000090

#### XLBM00 CT rear side installation



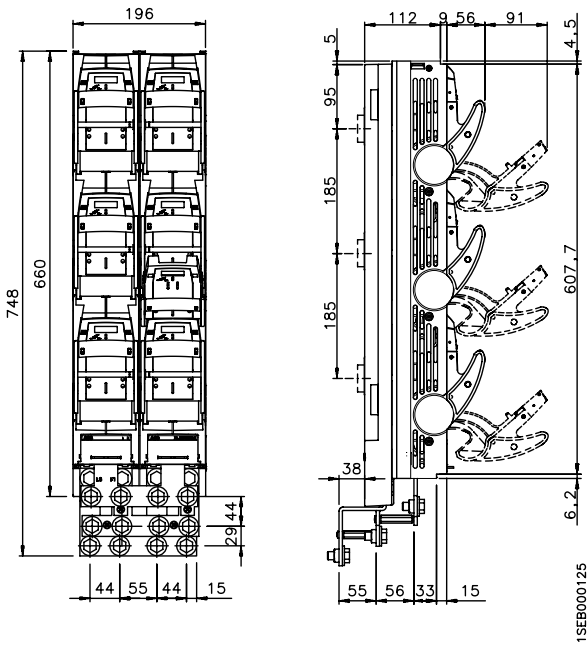
1SEB000112

# InLine

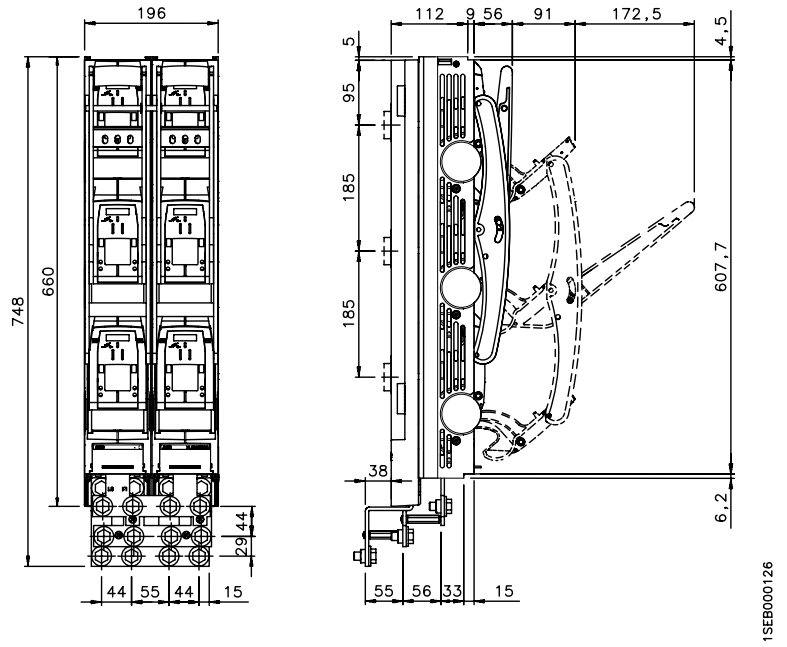
## 11. Dimensional drawings

### XLBM800A/1250A

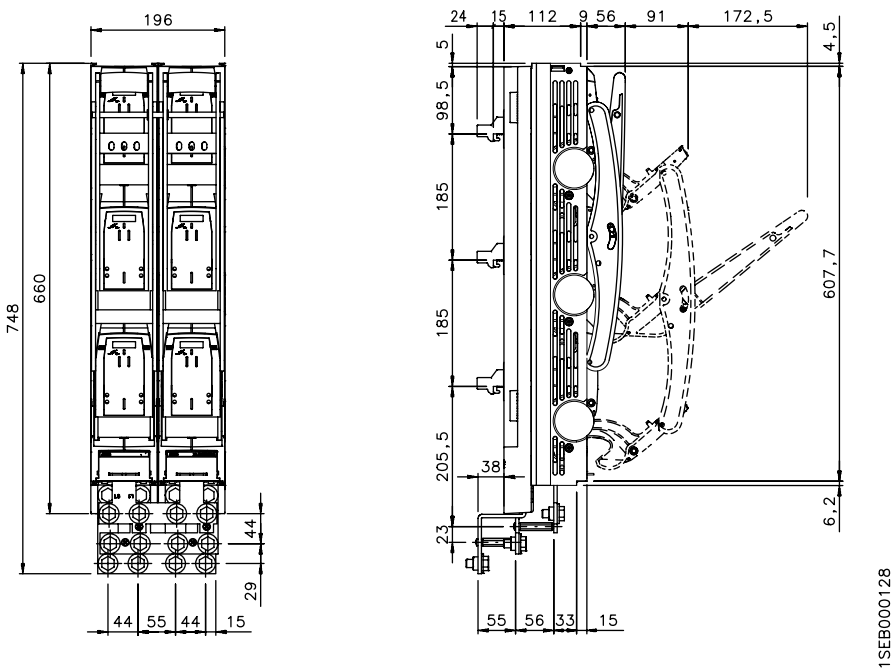
#### XLBM800A/1250A-1P



#### XLBM800A/1250A-3P



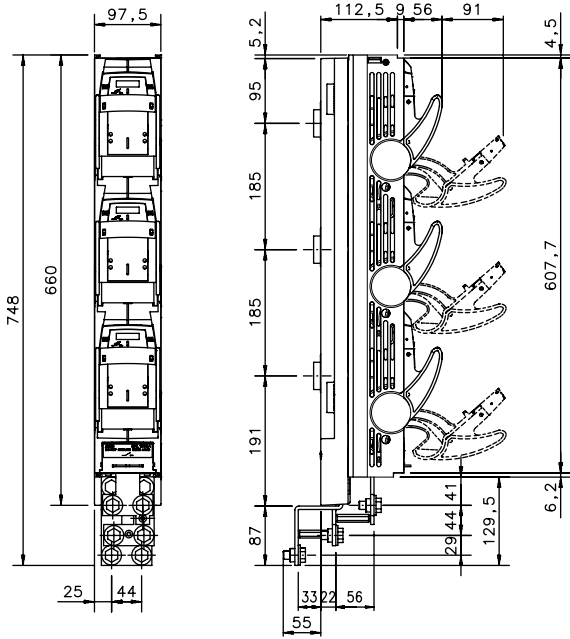
#### XLBM800A/1250A-3P-Z



# InLine

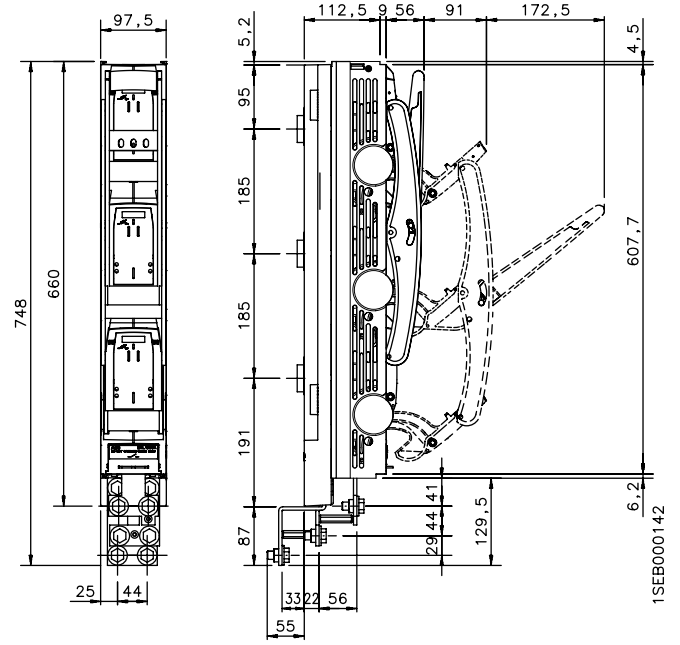
## 11. Dimensional drawings BXL1000A and BXL1250A/1600A

BXL1000A-1P



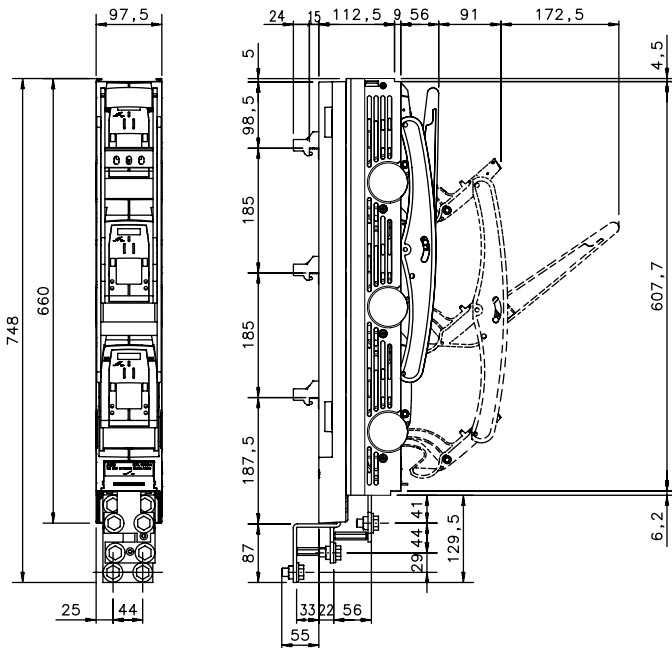
1SEB000140

BXL1000A-3P



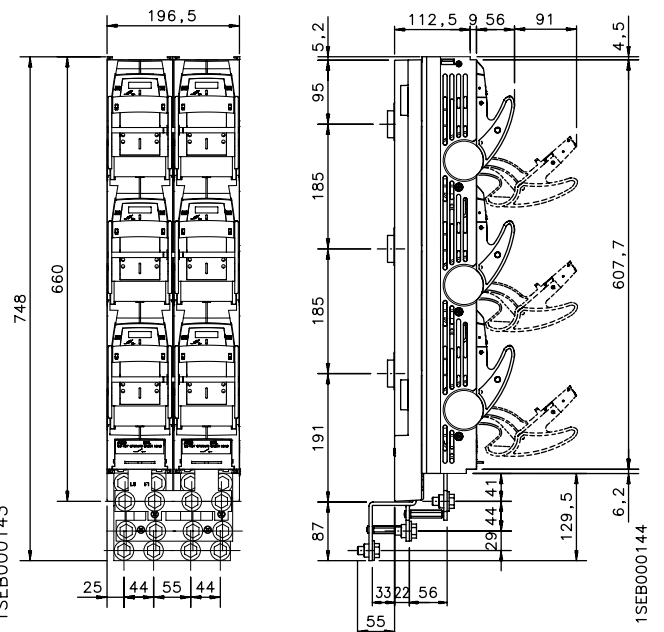
1SEB000142

BXL1000A-3P-Z



1SEB000143

BXL1250A/1600A-1P

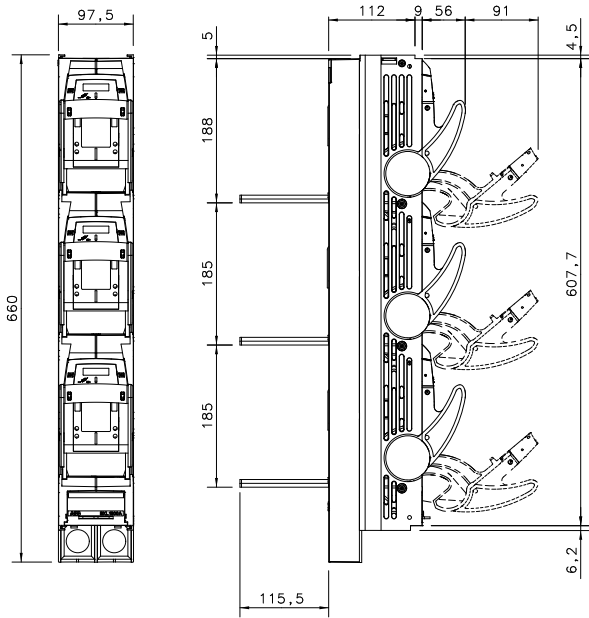


1SEB000144

# InLine

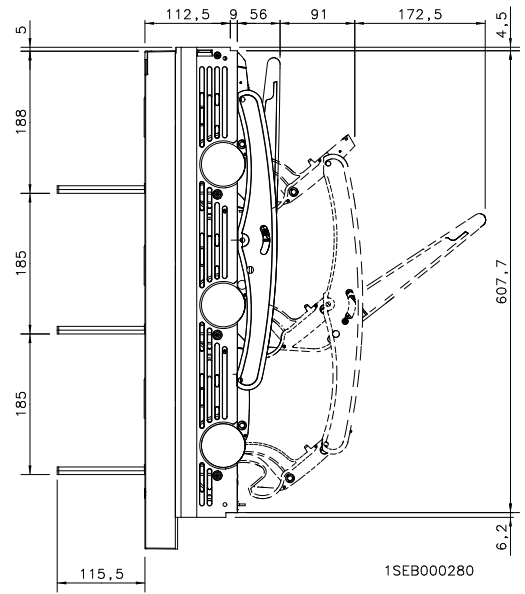
## 11. Dimensional drawings BXL1000A-MB and BXL2000A-MB

### BXL1000A-1P-MB



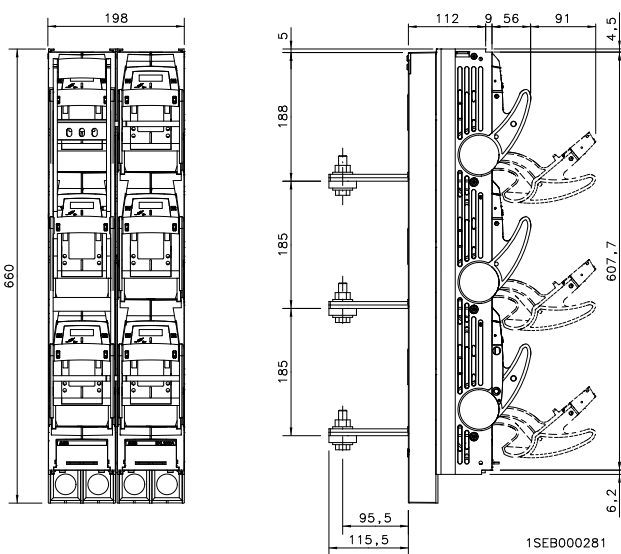
1SEB000279

### BXL1000A-3P-MB



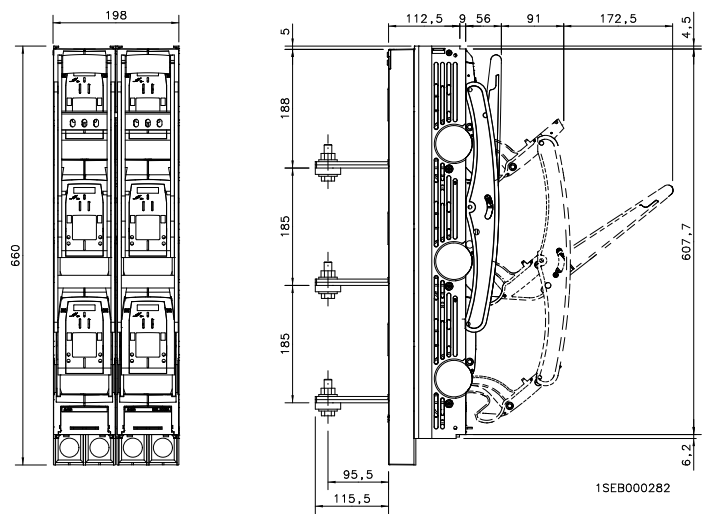
1SEB000280

### BXL2000A-1P-MB



1SEB000281

### BXL2000A-3P-MB



1SEB000282

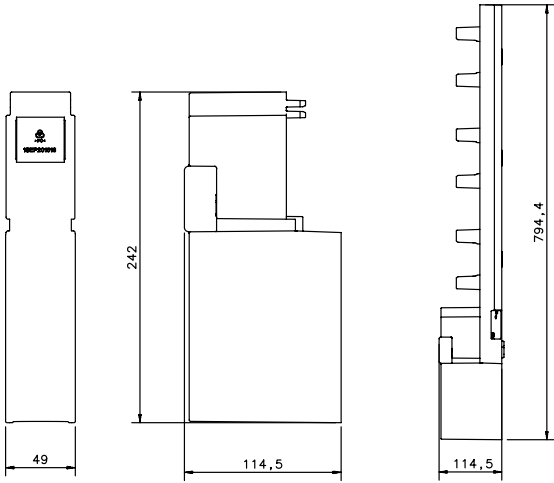


# InLine

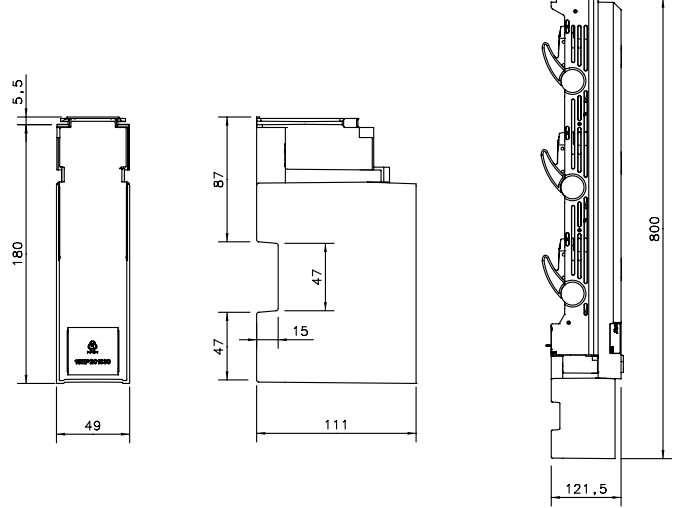
## 11. Dimensional drawings

Accessorie size 00

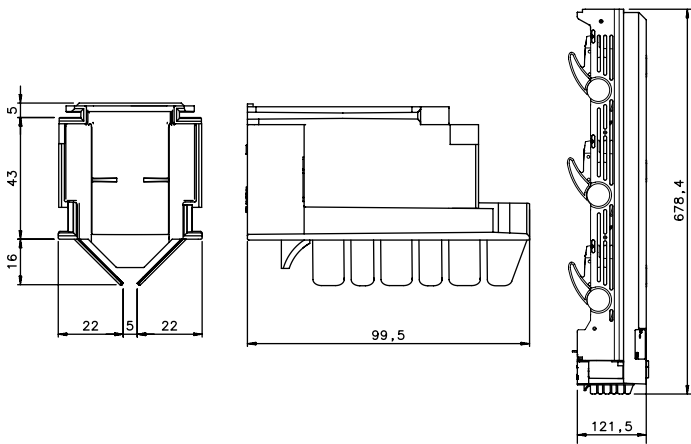
Cable shroud XUBM00



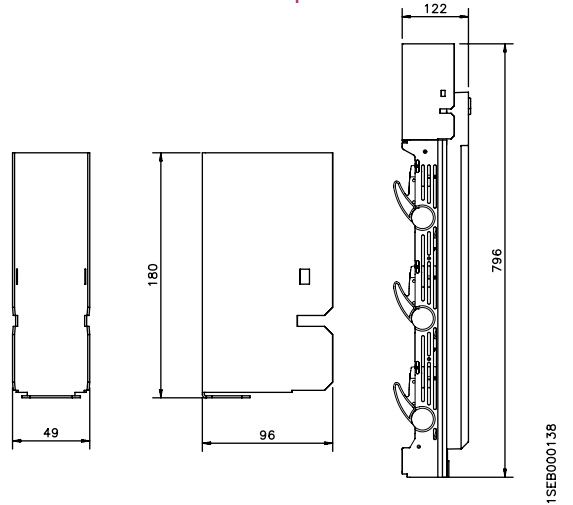
Cable shroud XLBM00



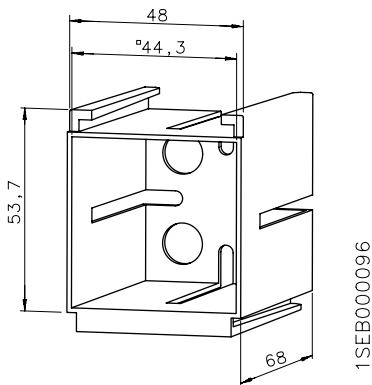
Cable shroud short XLBM00



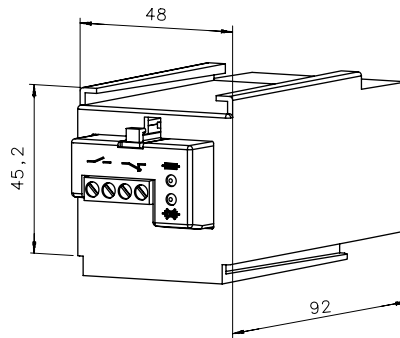
Cable shroud up XLBM00



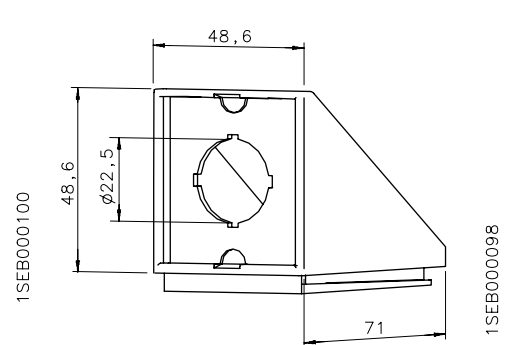
Ammeter house



EFM



Label holder

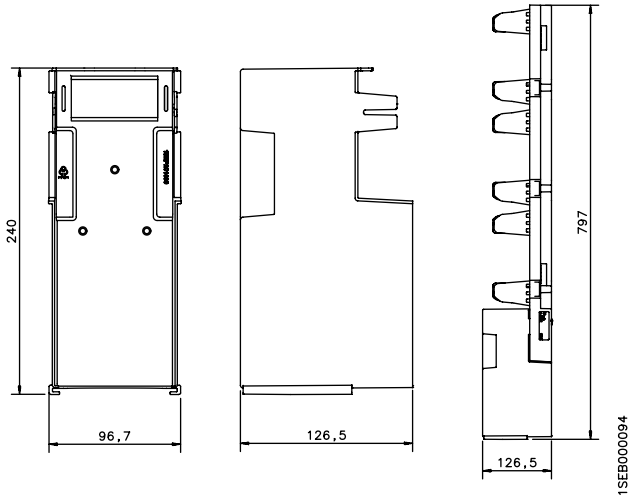


# InLine

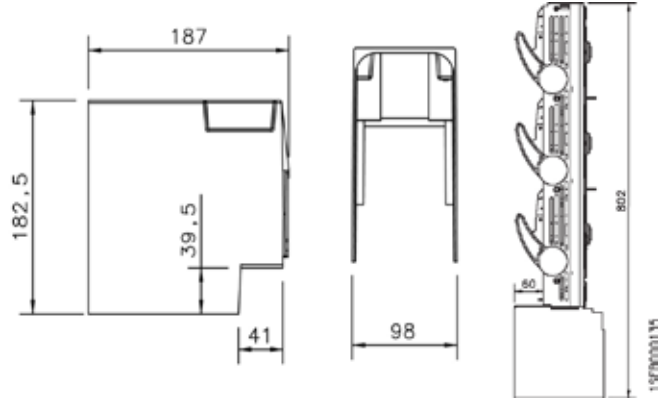
## 11. Dimensional drawings

Accessorie size 1/2/3

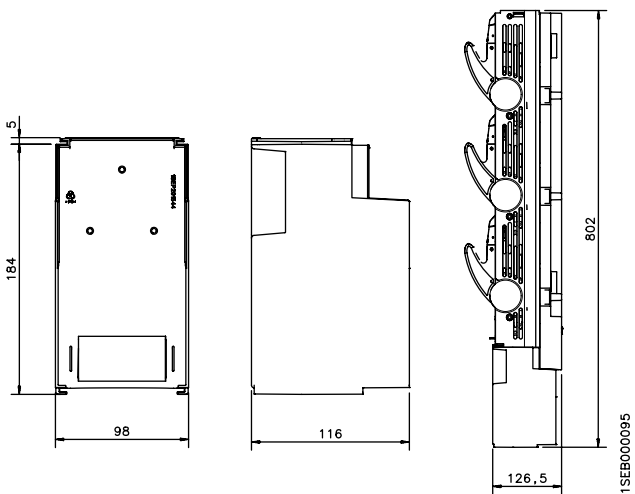
Cable shroud XUBM123



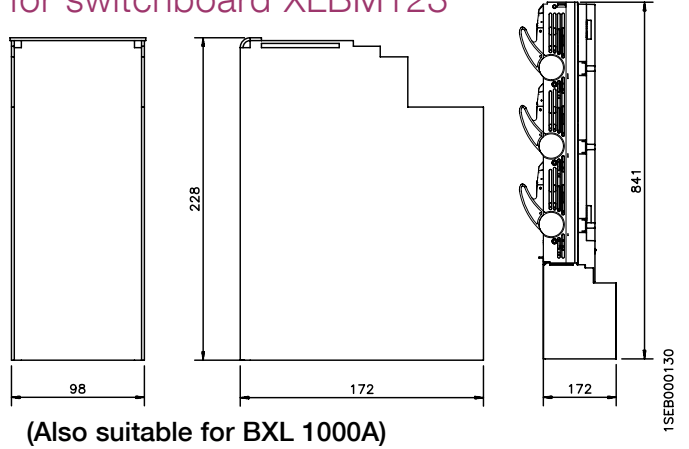
Cable shroud, double V-clamp for panel XLBM123



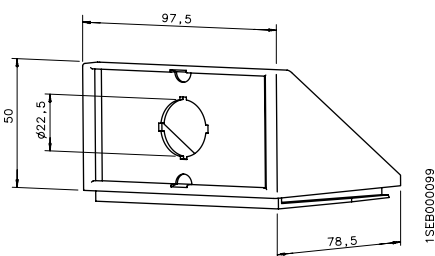
Cable shroud XLBM123



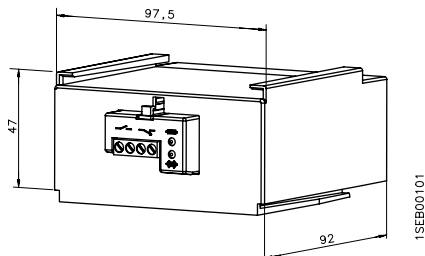
Cable shroud, double V-clamp for switchboard XLBM123



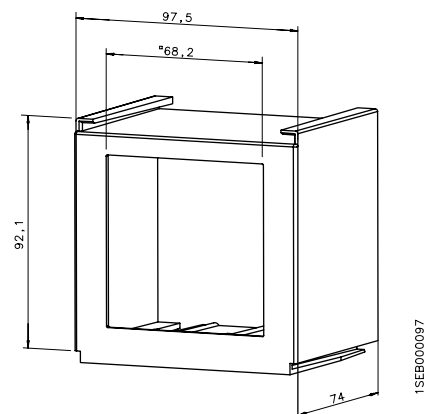
Label holder



EFM



Ammeter house

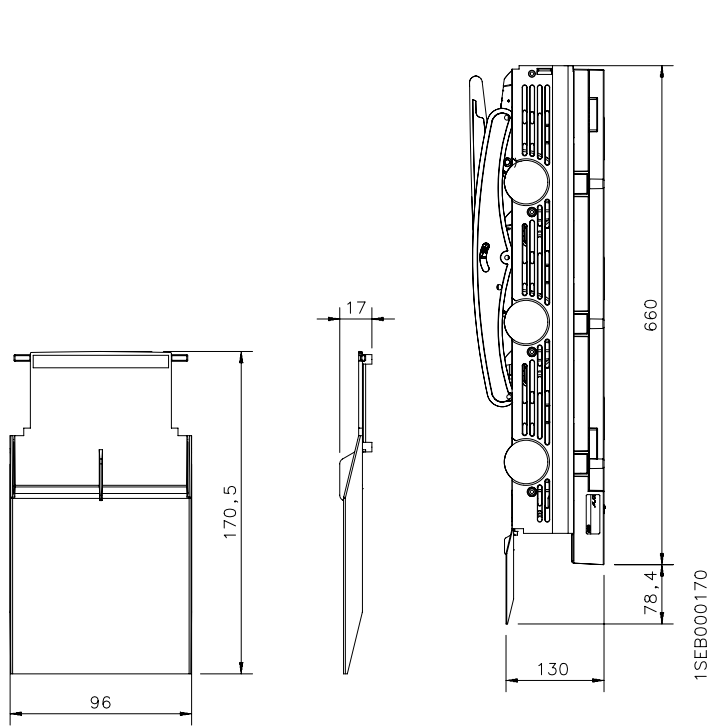


# InLine

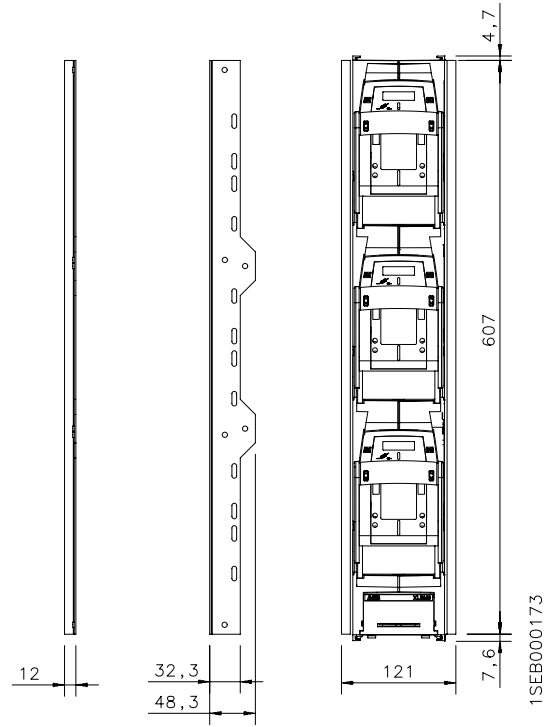
## 11. Dimensional drawings

Accessorie size 1/2/3

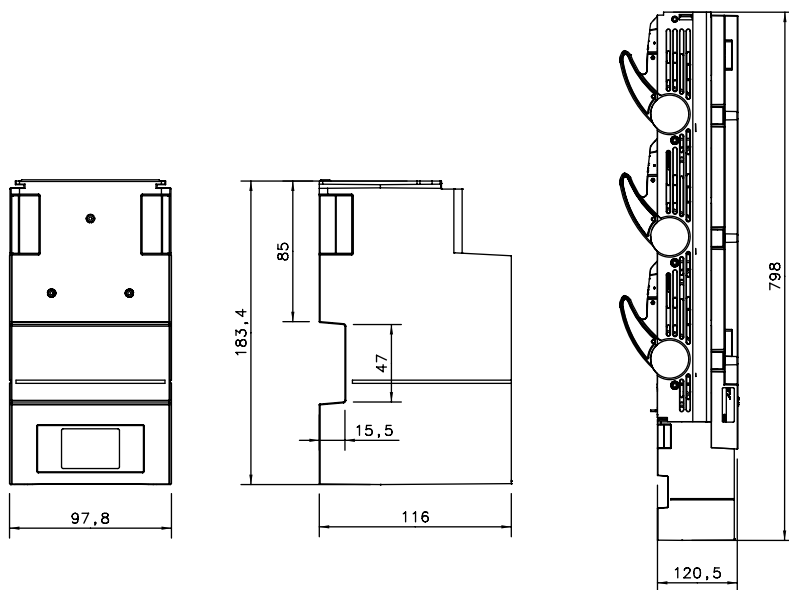
### XLBM23 Front cable shroud



### XLBM Side shrouds to front panels



### XLBM123 cable shroud for S&J

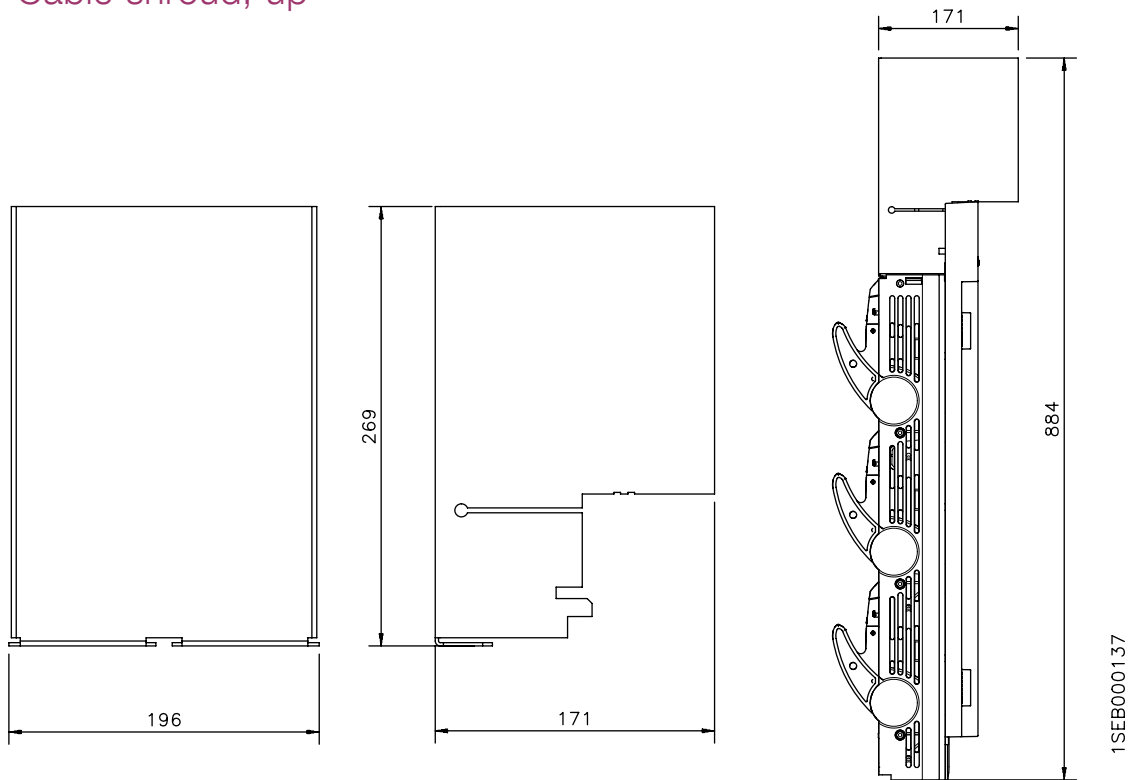


# InLine

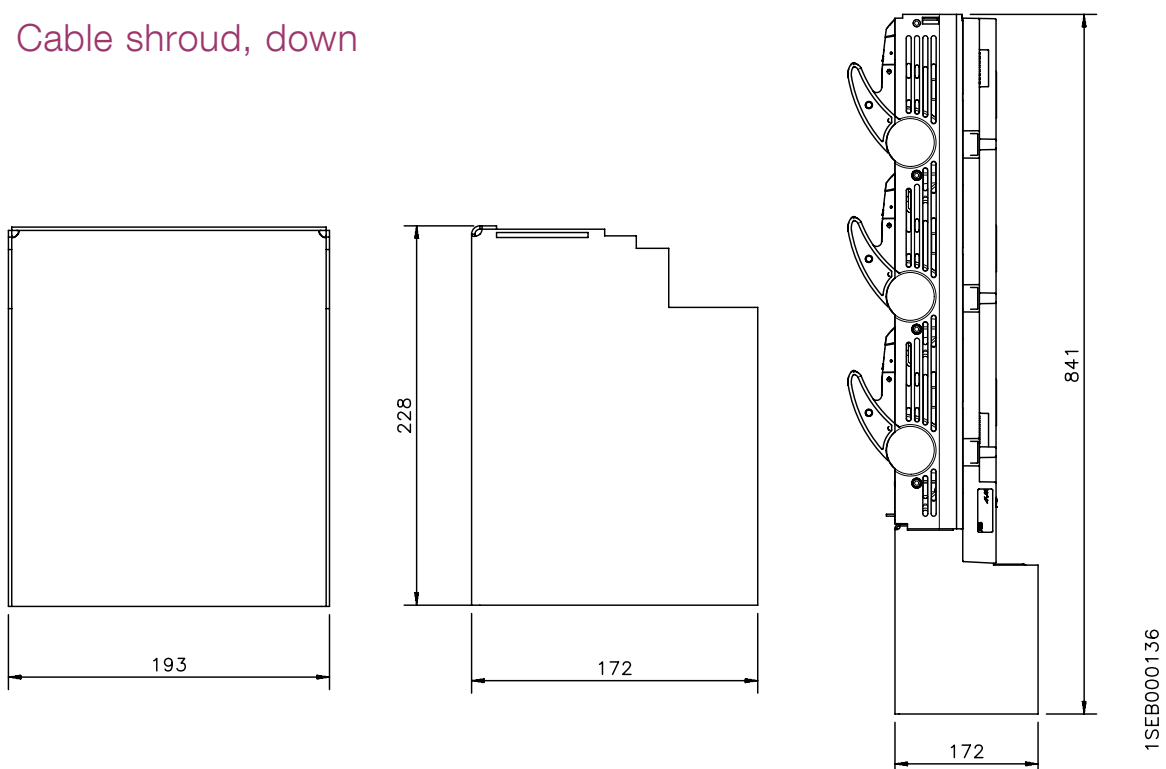
## 11. Dimensional drawings

Accessories XLBM800A/1250A

Cable shroud, up



Cable shroud, down





# Contact us

## ABB AS

### Low Voltage Products

P.O. Box 100, Sentrum

N-3701 Skien, Norway

Phone: +47 35 58 25 00

Fax: +47 35 58 28 00

[www.abb.com/fusegear](http://www.abb.com/fusegear)

A part of its on-going product improvement, ABB reserves the right to modify the characteristics or the products described in this brochure. The information given is not-contractual. For further details please contact the ABB company marketing these products in your country.

