



Instructivo Acceso DT Configurator

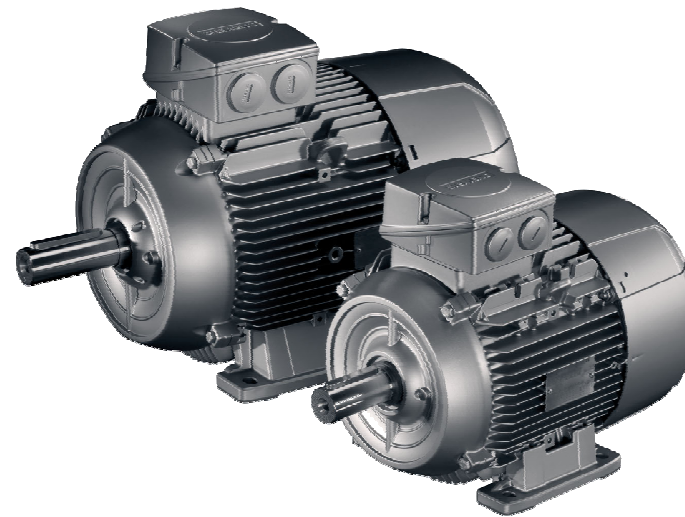
*La herramienta web de Siemens para
Motores y Accionamientos*

**Siemens Argentina
Industry Sector**

0. Introducción

El DT Configurator es una fabulosa y gratuita herramienta de SIEMENS para dimensionar motores, accionamientos, cadenas cinemáticas, y para descargar información técnica variada sobre los diferentes productos asociados.

El presente instructivo focalizará de manera resumida en cómo descargar del DT Configurator la información de motores SIEMENS de las familias 1LA7, 1LG4, 1LE1.



1. Acceso a DT Configurator y carga de código motor

Colocar en el buscador de internet la dirección: www.siemens.com/dt-configurator

Our guided selection, quick selection of product lines and a direct order number (MLFB) input will help you find the right product.

Order Number Input (MLFB)
 Examples:
 1LE1001-1AA42-2AA4-Z B02+S00 (complete MLFB with order code)
 1LA8.....0 (you can use . as a wildcard)

1LE1002-1CB23-4AA4

Quick selection

- Gears & Couplings
 - > X.CAT NG (gears and couplings)
 - > X.CAT NG (SIMOGEAR)
 - > Motox geared motors
 - > Gear selection
- Motors
 - > Guided motor selection
 - > Motor selection
- Inverters
 - > Guided inverter selection
 - > Inverter selection
 - > Optoelectronic rotary encoder
 - Connection system
 - > Connection System
- Control & Licenses
 - > Controllers & licenses

System configuration of pumps, fans and compressor applications

System Solutions and Products for Branches

Service and everything else you need

Consistent use of environmentally compatible materials

Production technologies that are kind to the environment

Highly qualified engineering consultants close at hand thanks to a global distribution network

Version Info 2012.12

Product Selection

Your Products

- > Load a product list
 - Save the product list
 - Export as txt file

SIZER for Siemens Drive

- > Load file (*.xml)
- Save file (*.xml)

Other functions

- > 1LA-1LE1 Conversion

Contact

- > Product
- > eBusiness

Cancel

2. Chequeo del código del DT Configurator

El DT Configurator chequea el código. Si es correcto (todos los de la lista de precios lo son), aparece un semáforo indicador en verde.

The screenshot shows the Siemens DT Configurator interface. At the top, it says "The configuration is complete. You can order this product." with a green checkmark icon. Below this, there is an information message about IE1-motors delivery restrictions. The main configuration area is divided into several sections:

- basic parameters:** Type of cooling (self ventilated (Standard) - IC411), Enclosure (IE1), Frequency (50 Hz), Voltage selection ((34) 400VD/690VY 50Hz, 460VD 60Hz), Power demand (0.28 ≤ 7.50 ≤ 25.30 kW), Synchronous speed 50Hz (1500 rpm), Synchronous speed 60Hz (1800 rpm), Frame size (132 M).
- Motor protection:** (A) without (Standard), Type of construction (IM B3), Type of flange (without), Position of Terminal Box ((4) terminal box - on top).
- environmental conditions / power:** Temperature class (155(F) to 130(B)), Coolant temperature / minimum (-20.0 °C), Coolant temperature / maximum (40 °C), Site altitude in m (1000 m).
- Info table:**

Rated output in kW - 50Hz	7,5 kW
Rated output in kW - 60Hz	8,6 kW
Rated output 60Hz (hp)	10 hp
Pole number	4-pole

At the bottom of the configuration area, there are buttons for "Documents", "Reset configuration", "Continue to product list", and "Cancel". A blue callout box with the text "Click en 'Continue to product list'" and an arrow points to the "Continue to product list" button. On the right side, there is a sidebar with "Your Products" and "Configuration" sections.

3. Disponibilidad de Documentos

El DT Configurator verifica la documentación que posee del motor seleccionado.

Click en "documents"

Nr.	Conf.	Article number (MLFB)	Price*	Documents	Quantity
1		1LE1002-1CB23-4AA4 IEC NS-Motor, new Gen. (1LE1)	NaN	documents	1

* list price

4. Selección de documentación deseada

A continuación se listan todos los documentos disponibles para el motor seleccionado. Simplemente Se debe tildar las opciones deseadas. En este ejemplo, la hoja técnica de datos (pdf) y el dimensional (pdf).

The screenshot shows the Siemens Drives Technology Configurator interface. A dialog box titled "Documentation and reporting" is open, allowing the user to select document types for download. The dialog includes a language selection dropdown set to "english", a "Project data for the datasheet" dropdown, and a "START" button. The list of document types includes:

- IEC NS-Motor, new Gen. (1LE1) (1LE1002-1CB23-4AA4)
- data sheet (PDF)
- data sheet (RTF)
- dimensioned drawing (1 minute)
- 3D model (takes up to 1 minute)
- CAD viewer and download
- Link starting program
- terminal box drawing
- wiring diagram
- Link manual (compact)
- Link manual
- EG - declaration of conformity
- International Efficiency
- Link International Efficiency Map
- dimensioned drawing (.dxf)

A blue callout box with white text points to the "START" button, stating: "Luego de seleccionar los documentos deseados, click en 'START'."

5. Descarga de documentación

Drives Technology Configurator [i]

Gears & Couplings

- > X.CAT NG (gears and couplings)
- > X.CAT NG (SIMOGEAR)
- > Motox geared motors
- > Gear selection

Motor selection

- > Guided selection
- > Motor selection

System

- > System configuration of pumps, fans and compressors

List of products

Project data for the datasheet

Nr.	Conf.	Article number
1		1LE1002-1CB23-4AA4 IEC NS-Motor, new Gen. (1LE1002-1CB23-4AA4)

* list price

- ☑ Safety Systems - Safety integrated
- ☑ System Solutions and Products for Branches
- ☑ Service
- ☑ and everything else you need

Consistent use of environmentally compatible materials

Production technologies that are kind to the environment

Documentation and reporting

Choose languages for the data sheet 1 english / english 2

Project data for the datasheet

Documentation and reporting 2 / 2

Creation progress:

- * Create documentation for product 1LE10021CB234AA4 ...
- * Create document data sheet (PDF) ...
- * Create document dimensioned drawing (1 minute) ...

Click here for download.

Cancel

Press F11 to toggle full-screen mode on/off

Load

Save

SIZER for Siemens Drive

- > Load file (*.xml)
- > Save file (*.xml)

Other functions

Cancel

Low-voltage motors (standard induction)

Info

and ordering system online

Product list

g cart

Luego de la creación de los documentos, click en “Click here for download”.

5. Descarga de documentación

The screenshot shows the Siemens documentation download interface. A 'Documentation and reporting' dialog box is open, allowing users to select languages and document types for download. A 'Descarga de archivos' (File Download) dialog box is also open, asking whether to open or save the file 'Documents.zip'. The dialog box includes a warning about internet files and buttons for 'Abrir' (Open), 'Guardar' (Save), and 'Cancelar' (Cancel). A blue callout box with an arrow pointing to the 'Guardar' button contains the text: "Guardar" si lo queremos descargar, "Abrir" si sólo lo queremos ver.

Documentation and reporting

Choose languages for the data sheet: english / english

Project data for the datasheet: Select the document types for the download as ZIP ... [START]

- IEC NS-Motor, new Gen. (1LE1) (1LE1002-1CB23-4AA4)
 - data sheet (PDF)
 - data sheet (RTF)
 - dimensioned drawing (1 minute)
 - 3D model (takes up to 1 minute)
 - CAD viewer and download
 - Link starting program
 - terminal box drawing
 - wiring diagram
 - Link manual (compact)
 - Link manual
 - EG - declaration of conformity
 - International Efficiency
 - Link International Efficiency Map
 - dimensioned drawing (.dxf)

Descarga de archivos

¿Desea abrir o guardar este archivo?

Nombre: Documents.zip
 Tipo: Carpeta comprimida (en zip)
 De: eb.automation.siemens.com

Abrir Guardar Cancelar

Aunque los archivos procedentes de Internet pueden ser útiles, algunos archivos pueden llegar a dañar el equipo. Si no confía en el origen, no abra ni guarde este archivo. [¿Cuál es el riesgo?](#)

“Guardar” si lo queremos descargar, “Abrir” si sólo lo queremos ver.

6. Opciones: Curvas

En algunos modelos de motores, la opción para curvas (“Curves”) aparece dentro del menú de opciones. Para seleccionar que se muestra aquí debajo. En caso contrario, una forma de acceder a generar y visualizar. Por ejemplo, para el motor 1LA7090-4AA10, las curvas del motor seleccionado es la siguiente:

Documentation and reporting

Choose languages for the data sheet: english / english

Project data for the datasheet: Select the document types for the download as ZIP ... [START]

- IEC LV-Motor (1LA) (1LA7090-4AA10)
 - data sheet (PDF)
 - data sheet (RTF)
 - dimensioned drawing (1 minute)
 - 3D model (takes up to 1 minute)
 - CAD viewer and download
 - Link starting program
 - terminal box drawing
 - wiring diagram
 - inspection certificate 2.2
 - Link manual
 - EG - declaration of conformity
 - International Efficiency
 - Link International Efficiency Map
 - dimensioned drawing (.dxf)
 - manual (compact)

Click en “Link starting program”.

Nr.	Conf.	Article number
1		1LA7090-4AA10 IEC LV-Motor (1LA)
2		1LG4183-4AA60 IEC LV-Motor, Cast Iron (1LG)
3		1LE1002-1AB42-2AA4 IEC NS-Motor, new Gen. (1LE)
4		1LE1002-1CB03-4AA4 IEC NS-Motor, new Gen. (1LE)

6. Opciones: Curvas



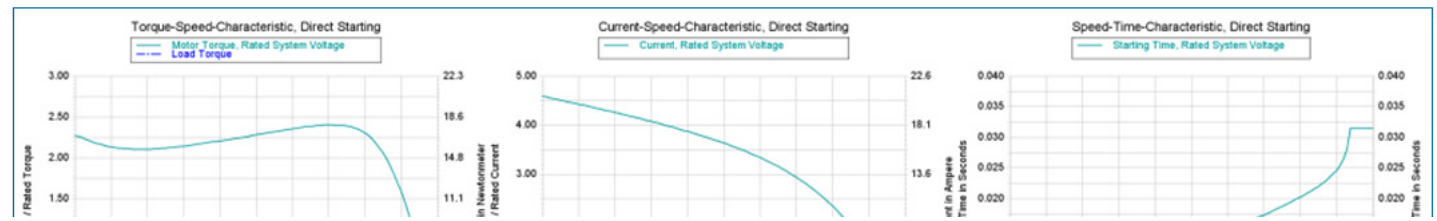
Information

1. There is no calculation of the number of starts for Y/D starting
2. The inertia of the load has to be in reference to the motor shaft. At belt drive the inertia has to be calculated to the load of the motor shaft
3. For 1MA motors the calculation is only for temperature class T3
4. For EFF1/EPACT motors the calculation is only for EFF1
5. The starting time mustn't be greater than 10 seconds. For 1MA motors not bigger than 1.7 times the warming time

Click en "Create PDF".

<p>MOTOR DATA</p> <p>System Voltage: 230 V</p> <p>Variant System Voltage: 100 (Range 70 % - 110 %)</p> <p>Operating Mode: Delta</p> <p>Y-D Starting: <input type="radio"/> Yes <input checked="" type="radio"/> No</p> <p>Frequency: 50 Hz</p> <p>MLFB: 1LA7090-4AA10</p>	<p>LOAD DATA</p> <p>Torque Characteristic: quadratic</p> <p>Rated Speed: 1,415 min.-1</p> <p>Rated Torque: 7.4 Nm</p> <p>Rated Power: 1.10 kW</p> <p>Moment Of Inertia: </p>	<p>STARTING TIME</p> <p>Rated System Voltage: 0.03 sec.</p> <p>Variant System Voltage: 0.03 sec.</p> <p>Y-D Starting: 0.00 sec.</p> <p>Toggle Moment: 0.00 sec.</p> <p>STARTINGS PER HOUR</p> <p>at warm condition: 317/317</p> <p>at cold condition: 729/729</p>
--	---	---

Any Load Torque | [Create PDF](#)



6. Opciones: Lenguaje Hoja de Datos (Data Sheet)

Documentation and reporting

Choose languages for the data sheet english / english

Project data for the datasheet

Select the document types for the download as ZIP ...

- IEC NS-Motor, new Gen. (1LE1) (1LE1002-1CB23-4AA4)
- data sheet (PDF)
- data sheet (RTF)
- dimensioned drawing (1 minute)
- 3D model (takes up to 1 minute)
- CAD viewer and download
- Link starting program
- terminal box drawing
- wiring diagram
- Link manual (compact)
- Link manual
- EG - declaration of conformity
- International Efficiency
- Link International Efficiency Map
- dimensioned drawing (.dxf)

Se puede elegir el idioma de la Hoja de Datos Técnicos. Por ejemplo "english / spanish".

Nr.	Conf.	Article number
1		1LE1002-1CB23-4AA4 IEC NS-Motor, new Gen. (1LE1)

Nota

Si usted desea información que no está disponible en el DT Configurator, por favor tenga a bien contactar a nuestra Hotline Técnica:

hotline.ar@siemens.com

**Muchas Gracias
por su atención!**

*Siemens Industry Sector
Argentina*

Large Drives Products

Herramientas:

www.siemens.com/motors

www.siemens.com/dt-configurator

www.siemens.com/sinasave

Soporte y consultas técnicas:

hotline.ar@siemens.com

www.support.automation.siemens.com

**Soporte postventa general
Customer Support:**

customer.support.ar@siemens.com

**Soporte postventa reparaciones
Talleres Autorizados:**




**Talleres Motoristas Autorizados
Argentina**

<p>BUENOS AIRES</p> <p>Susycar SCA Responsable: Rubén D'Ambrosio Tel: (011) 4642-4723 / 2233 Dirección: Patrón 6974 – 1408, Cap. Fed. E-Mail: susycar@ciudad.com.ar</p> <p>Motec Responsable: Remo Marcovecchio Tel: (011) 4730 2121 / 2122 Dirección: A. Alsina 3326 – B1602AMD, Florida E-Mail: info@motec.com.ar Web: www.motec.com.ar/</p> <p>Vignolo Responsable: Aldo Vignolo Tel: (011) 4307-1652 Dirección: Ministro Brin 969 - C1158AAK, Cap. Fed. E-Mail: vignolo@vignolo.com.ar</p> <p>ElectroAmsa Responsable: Santiago Amodeo Tel: (0291) 457 3122 Dirección: Mascarellero 3560 – 8000, Bahía Blanca E-Mail: electroamsa@electroamsa.com</p> <p>CORDOBA</p> <p>Tauroelectromecánica Responsable: Javier Contreras Tel: (0351) 465-4007 Dirección: Luis Agote 2941 – X5010GNA, Córdoba E-Mail: tauroelectromecanica@arnet.com.ar</p> <p>Electro Mar Responsable: Mario Martín Tel: (0351) 455-9210 Dirección: Agustín Garzón 2644 – X5010GNA, Córdoba E-Mail: consultas@electromar.com.ar Web: www.electromar.com.ar</p> <p>SIEMENS Customer Support E-Mail: customer.support.ar@siemens.com</p>	<p>MENDOZA</p> <p>Bamore S.R.L. Responsable: Pablo Agustín Tel: (0251) 452 57 37 / 6527 Dirección: 9 de Julio 533 – 5501, Godoy Cruz E-Mail: info@bamoresrl.com.ar Web: www.bamore.com.ar/</p> <p>Inelco S.R.L. Responsable: Sergio Vuanello Tel: (02527) 426 323 Dirección: Sarmiento 830 – 5600, San Rafael E-Mail: inelcosrl@inelcosrl.com.ar Web: www.inelcosrl.com.ar/</p> <p>NEUQUÉN</p> <p>Taller Dima S.R.L. Responsable: Eduardo Rossumano Tel: (0299) 447 3176 Dirección: San Martín 1923 – 8300, Neuquén E-Mail: dimaservicios@speedy.com.ar</p> <p>SALTA</p> <p>AF Ingeniería Responsable: Felipe Flores Tel: (0387) 431 57 33 / 422 0634 Dirección: Alvarado 2019 – A4404ABQ, Salta E-Mail: yamas@af-ingenieria.com.ar administracion@af-ingenieria.com.ar</p> <p>SANTA FE</p> <p>Q.H. Ingeniería y servicios S.R.L. Responsable: Marcelo Mauro Tel: (341) 4515605 Dirección: Av. Arjón 3290 – 2010, Rosario E-Mail: qhingenieria@arnet.com.ar</p> <p>TUCUMAN</p> <p>Merksa Servicios Electromecánicos Responsable: Eduardo Merksa Tel: (0381) 423 7474 Dirección: 12 de Octubre 845/ 851 – San Miguel de Tucumán E-Mail: reparacion@merkusa.com.ar Web: www.merkusa.com.ar</p>
---	---

Listado TAMM Certificados - Junio 2011