



Brochure

DC switching contactors, type GAF A compact contactor up to 1000 V DC

The GAF contactor range

A compact and efficient way of DC switching



The new GAF range contactors are the latest addition to ABB's well established A/AF range. This further extends our offering of contactors for DC switching at voltages up to 1000 V DC. The GAF contactors utilize all the well known features of the existing A/AF range such as modern and compact design. In addition all the benefits from the AF coil technology and reliability of a proven contactor design. These contactors are rated for DC-1 or DC general purpose applications according to IEC 1000 V DC or cULus 600 V DC. The new GAF contactors share the external dimensions of its corresponding standard AF contactor.

The new GAF range, the world's first block contactors with ratings up to 2000 A for 1000 V DC

Features and benefits

Powerful

- 1000 V DC switching ratings (IEC).
- UL (508) rated up to 600 V DC.

Flexible

- Wide control voltage range (e.g. 100-250 V AC/DC) means less versions covering the entire range.
- PLC interface with 24 V DC / 100 mA for GAF/AF400...2050.

Efficient

- The AF electronic coil interface reduces power consumption 5-10 times at holding compared to conventional contactors.

Reliable

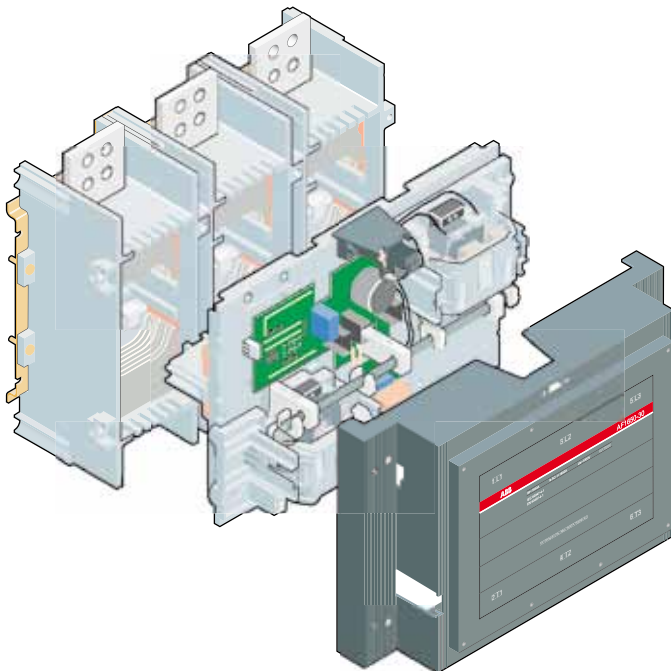
- The GAF contactor is based on the well proven AF contactor.
- Less sensitive to voltage drops due to a drop-out voltage of 55% of the lower nominal value along with 20 ms sag and dip immunity. These features avoid the problems with contactor chattering and welding.
- Elimination of contact bounce and chattering provides for increased reliability and service life.

Silent

- DC powered coil makes the contactor virtually noise free.

Easy

- The external dimensions of the GAF contactors are the same as corresponding AF contactors making it easy to order and install.
- Existing add on accessories for A/AF range of three pole contactors will fit the GAF contactors.



The GAF contactor's ability to break DC up to 2000 A at a voltage up to 1000 V derives from the use of permanent magnets in the arc packages. The magnets enable the contactor to extinguish the powerful electrical arcs that arise between the contact surfaces when breaking DC. Normal AF contactors can break DC up to some extent but since they lack the permanent magnets they will not be able to break DC as a corresponding GAF contactor.

Applications – solar

What is PV power?

Photovoltaic (PV) power is a renewable energy source converting sunlight directly into electrical energy using PV cells. Large PV systems often consist of following main components:

- PV cells (combined to strings, generating the power).
- Inverter (one or several, converting the generated DC voltage into AC 50Hz or 60Hz, also including devices for switching, protection and control).
- Combiners (junction boxes, including switching devices, with several cables on input and one cable on output).
- Trackers (mechanical structure to move the angle of PV cells to follow the sun, increasing system efficiency, also including motors, PLC, communication, protection).
- Switching devices and protection devices (to change PV string configuration, protect from over currents, surge voltages and earth faults etc.).
- Distribution transformer (transforming low voltage to high voltage, as grid connection often is done on high voltage level).



What is the future of PV power?

Solar energy is today the fastest growing segment in renewable energy and is believed to be one of the major energy sources in the future.

Factors that vouch for a bright future of solar energy:

- Growing climate awareness brings more focus on renewable energy.
- Continuously higher legislative demands on increasing the share of green energy.
- Intense research and development of the PV technology in order to make it more efficient and easier to produce.
Decreased production costs due to higher volumes and improved production technique make it possible to produce low cost PV cells which in turn will expand the market.

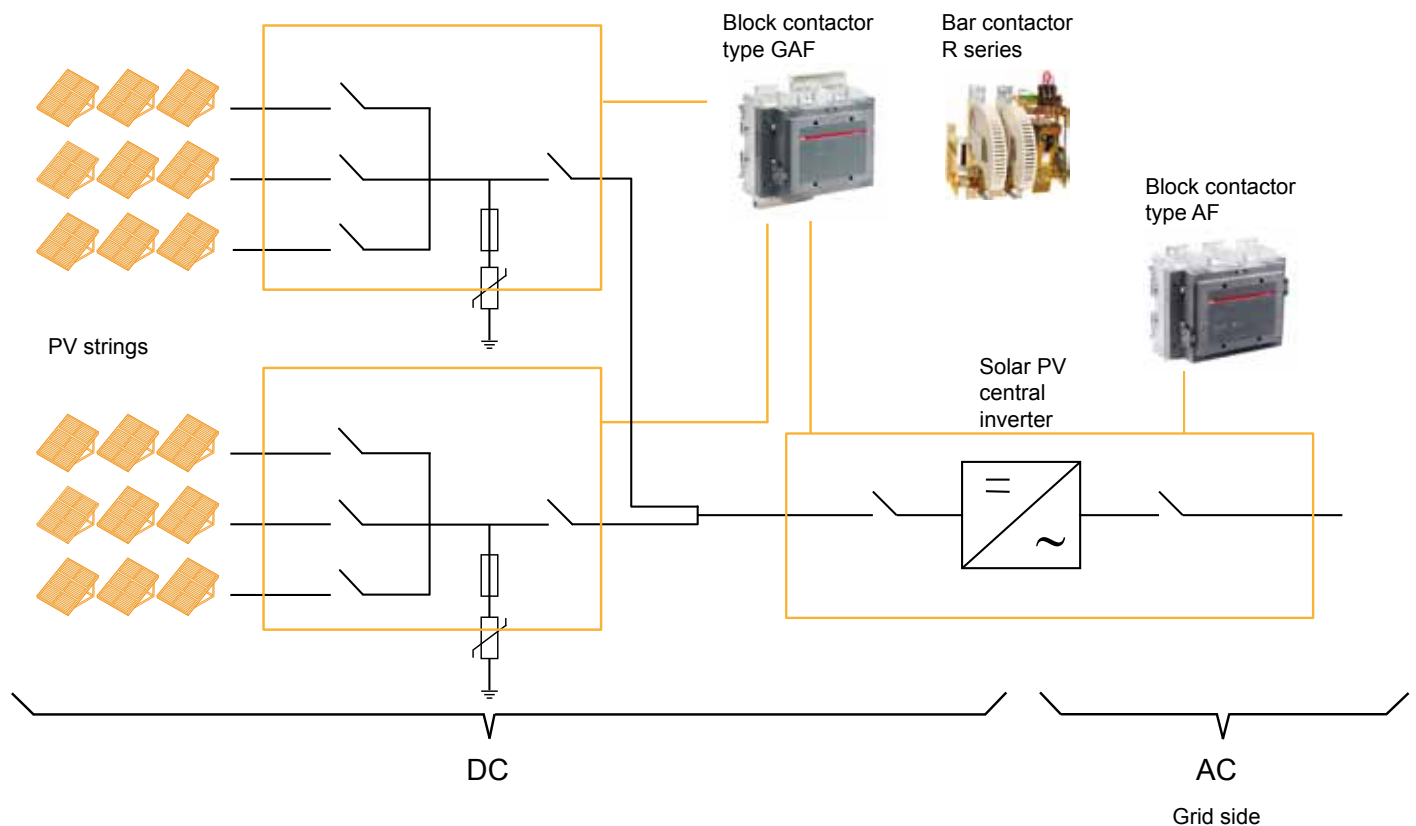
Why is DC contactors needed?

PV plants contain some major application for DC switching, since the electricity produced by the PV panels is DC. Depending on application requirements, different products can be used for switching. Contactors are typically selected for applications with the need for remote control and switching at least once per day.

Applications

Main applications where contactors are used for DC switching are:

- Disconnection of the inverter from the PV strings when the output is too low.
- Changing the string configuration, e.g. to increase plant efficiency by diverting one or several PV strings to an optimal number of converters at low output. This makes it possible to constantly optimize the efficiency of the system.



Applications – other

There are several other DC-applications in which ABB's GAF & AF contactors can be efficiently used.

Traction

Traction vehicles

- Urban traction vehicles such as trams, subways, commuter trains etc.
- Diesel locomotives
- Heating applications

Traction wayside

- Signaling
- Switchgear
- Power distribution

Batteries

The accelerating need for mobile energy and protection against power disturbances in distribution networks is driving the market

of batteries forward. The number of applications where batteries can be used is steadily increasing and with that the need of DC switching. Examples of such applications are charging of vehicle batteries, UPS installations, backup and control solutions, etc.

Telecom

The telecom industry is today facing a rapid increase of data transmission which demands larger and more efficient transmission stations. Larger stations may require higher currents and an increase of voltage in order to reduce energy losses. In this kind of setup compact, efficient and reliable DC switching is needed.

Special industry:

- DC Drives in e.g. metal refining plants.



Ordering details

DC switching ratings, 3 contacts in series



1SFC101098F0001



1SFC101099F0001



1SFC101100F0001



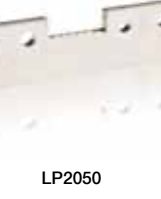
1SFC101102F0001



1SFC101104F0001



1SFC101114F0001



1SFC101117F0001

IEC rated operational current at 1000 V

L/R 1 ms, air temperature close to contactor

| | | | | | Type | Order code | Pkg qty | Weight (1 pce) kg |
|-------|-------|-------|-------|-------|---------------|-----------------|---------|-------------------|
| 40 °C | 55 °C | 60 °C | 65 °C | 70 °C | | | | |
| A | | | | | | | | |
| 275 | 250 | 230 | 205 | 180 | GAF185-10-11 | 1SFL497025R□□11 | | 3.60 |
| 500 | 400 | 375 | 350 | 325 | GAF300-10-11 | 1SFL557025R□□11 | | 6.20 |
| 700 | 600 | 560 | 520 | 480 | GAF460-10-11 | 1SFL597025R□□11 | | 12.00 |
| 1050 | 875 | 800 | 760 | 720 | GAF750-10-11 | 1SFL637025R□□11 | | 15.00 |
| 1250 | 1040 | 970 | 920 | 875 | GAF1250-10-11 | 1SFL647025R□□11 | | 16.00 |
| 1650 | 1450 | 1380 | 1325 | 1270 | GAF1650-10-11 | 1SFL677025R□□11 | | 35.00 |
| 2050 | 1750 | 1650 | 1575 | 1500 | GAF2050-10-11 | 1SFL707025R□□11 | | 35.00 |

cULus general purpose ratings at 600 V and IEC rated operational current at max. 850 V

| 40 °C | UL | 40 °C | IEC | | | | |
|-------|----|-------|---|--------------|-----------------|--|-------|
| A | | A | | | | | |
| 250 | | | | GAF185-10-11 | 1SFL497025R□□11 | | 3.60 |
| 400 | | | | GAF300-10-11 | 1SFL557025R□□11 | | 6.20 |
| | | | See next page for IEC data at different voltages. | AF145-10-11 | 1SFL477001R□□11 | | 3.60 |
| | | | | AF185-10-11 | 1SFL497001R□□11 | | 3.60 |
| | | | | AF210-10-11 | 1SFL517001R□□11 | | 6.20 |
| | | | | AF260-10-11 | 1SFL537001R□□11 | | 6.20 |
| | | | | AF300-10-11 | 1SFL597001R□□11 | | 6.20 |
| | | | | AF400-10-11 | 1SFL637001R□□11 | | 12.00 |
| 550 | | | | AF460-10-11 | 1SFL597001R□□11 | | 12.00 |
| 650 | | | | AF580-10-11 | 1SFL617001R□□11 | | 15.00 |
| 750 | | | | AF750-10-11 | 1SFL637001R□□11 | | 15.00 |
| 900 | | | | AF1250-10-11 | 1SFL647001R□□11 | | 16.00 |
| 1210 | | | | AF1350-10-11 | 1SFL657001R□□11 | | 34.00 |
| 1350 | | | | AF1650-10-11 | 1SFL677001R□□11 | | 35.00 |
| 1900 | | | | AF2050-10-11 | 1SFL707001R□□11 | | 35.00 |

Connection bar for contactor

| | | | | |
|--|--------|-----------------|---|------|
| GAF185, AF145, AF185 | LP185 | 1SFN074712R1000 | 2 | 0.30 |
| GAF300, AF210 ... AF300 | LP300 | 1SFN075112R1000 | 2 | 0.40 |
| GAF460, AF400, AF460 | LP460 | 1SFN075712R1000 | 4 | 0.55 |
| GAF750, AF580, AF750 | LP750 | 1SFN076112R1000 | 4 | 0.95 |
| GAF1250, AF1250 | LP1250 | 1SFN076412R1000 | 2 | 1.90 |
| GAF1650, GAF2050, AF1350, AF1650, AF2050 | LP2050 | 1SFN076512R1000 | 4 | 2.90 |

Auxiliary contact blocks, low energy microswitch 0.1 A, N.O or N.C.

| | | | | |
|------------------|------|----------|-----------------|------|
| AF145...AF2050 | N.C. | CEL18-01 | 1SFN010716R1001 | 0.05 |
| GAF185...GAF2050 | N.O. | CEL18-10 | 1SFN010716R1010 | 0.05 |

AC / DC coils with electronic coil interface

Contactors GAF185 ... GAF300, AF145 ... AF300

| Voltage | Voltage | Code | | |
|-----------------|-------------|------|--|--|
| □ □ V - 50/60Hz | V - DC | □ □ | | |
| — | 20 ... 60 | 7 2 | | |
| 48 ... 130 | 48 ... 130 | 6 9 | | |
| 100...250 | 100 ... 250 | 7 0 | | |

Contactors GAF1650, GAF2050, AF1350, AF1650, AF2050

| | | | | |
|-------------|-------------|-----|--|--|
| 100 ... 250 | 100 ... 250 | 7 0 | | |
|-------------|-------------|-----|--|--|

Contactors GAF460 ... GAF1250, AF400 ... AF1250

| Voltage | Voltage | Code | | |
|-----------------|-------------|------|--|--|
| □ □ V - 50/60Hz | V - DC | □ □ | | |
| — | 24 ... 60 | 6 8 | | |
| 48 ... 130 | 48 ... 130 | 6 9 | | |
| 100 ... 250 | 100 ... 250 | 7 0 | | |
| 250 ... 500 | 250 ... 500 | 7 1 | | |

Technical data

DC switching ratings AF Contactors

IEC

| | | AF145 | AF185 | AF210 | AF260 | AF300 | AF400 | AF460 | AF580 | AF750 | AF1250 | AF1350 | AF1650 | AF2050 |
|----------------------------------|-----------------|-------|-------|-------|-------|-------------------|-------|-------|------------------------|--------------------|-------------------------|-------------------------|-------------------------|--------|
| Utilization category DC-1 | | A | A | A | A | A | A | A | A | A | A | A | A | A |
| Contacts in series | L/R 1 ms | | | | | | | | | | | | | |
| 1 contact | 110 V | | | | | | 600 | 700 | 800 | 1050 | | | | |
| 2 contacts | 110 V | 250 | 275 | 350 | 400 | 450 | 600 | 700 | 800 | 1050 | | | | |
| 3 contacts | 220 V | 250 | 275 | 350 | 400 | 450 | 600 | 700 | 800 | 1050 | 1250 | 1350 | 1650 | 2050 |
| 3 contacts | 600 V | | | | | | 600 | 700 | 800 | 1050 | 1250 | 1350 | 1650 | 2050 |
| 3 contacts | 850 V | | | | | | | | 800 | 1050 | 1250 | 1350 | 1650 | 2050 |
| Conductor cross-sectional area | mm ² | 120 | 150 | 185 | 240 | 300 ¹⁾ | 2x185 | 2x240 | 2 x 50x8 ²⁾ | 1000 ³⁾ | 2 x 100x5 ²⁾ | 3 x 100x5 ²⁾ | 4 x 100x5 ²⁾ | |

Utilization category DC-3

| | | | | | | | | | | | | | | |
|--------------------------------|-------------------|-----|-----|-----|-----|-------------------|-------|-------|------------------------|--------------------|-------------------------|-------------------------|-------------------------|--|
| Contacts in series | L/R 2.5 ms | | | | | | | | | | | | | |
| 1 contact | 110 V | | | | | | 600 | 700 | 800 | 1050 | | | | |
| 2 contacts | 110 V | 250 | 275 | 350 | 400 | 450 | 600 | 700 | 800 | 1050 | | | | |
| 3 contacts | 220 V | 250 | 275 | 350 | 400 | 450 | 600 | 700 | 800 | 1050 | | | | |
| 3 contacts | 600 V | | | | | | 600 | 700 | 800 | 1050 | | | | |
| Conductor cross-sectional area | mm ² | 120 | 150 | 185 | 240 | 300 ¹⁾ | 2x185 | 2x240 | 2 x 50x8 ²⁾ | 1000 ³⁾ | 2 x 100x5 ²⁾ | 3 x 100x5 ²⁾ | 4 x 100x5 ²⁾ | |

Utilization category DC-5

| | | | | | | | | | | | | | | |
|--------------------------------|------------------|-----|-----|-----|-----|-------------------|-------|-------|------------------------|--------------------|-------------------------|-------------------------|-------------------------|--|
| Contacts in series | L/R 15 ms | | | | | | | | | | | | | |
| 1 contact | 110 V | | | | | | 600 | 700 | 800 | 1050 | | | | |
| 2 contacts | 110 V | 250 | 275 | 350 | 400 | 450 | 600 | 700 | 800 | 1050 | | | | |
| 3 contacts | 220 V | 250 | 275 | 350 | 400 | 450 | 600 | 700 | 800 | 1050 | | | | |
| 3 contacts | 600 V | | | | | | 600 | 700 | 800 | 1050 | | | | |
| Conductor cross-sectional area | mm ² | 120 | 150 | 185 | 240 | 300 ¹⁾ | 2x185 | 2x240 | 2 x 50x8 ²⁾ | 1000 ³⁾ | 2 x 100x5 ²⁾ | 3 x 100x5 ²⁾ | 4 x 100x5 ²⁾ | |

¹⁾ For currents above 450 A use 300 mm² and terminal extension / enlargement pieces (LW300: see www.abb.com/lowvoltage or local ABB catalog)

²⁾ Dimension of the bars (mm)

³⁾ Max connection bar width 50 mm

cULus

| | | AF145 | AF185 | AF210 | AF260 | AF300 | AF400 | AF460 | AF580 | AF750 | AF1250 | AF1350 | AF1650 | AF2050 |
|--|-------|-------|-------|-------|-------|-------|-------|-------|-------|-------|--------|--------|--------|--------|
| Intended device application general purpose | | | | | | | | | | | | | | |
| Contacts in series | | | | | | | | | | | | | | |
| 3 contacts | 240 V | | 250 | | | | 550 | 650 | 750 | 900 | 1210 | | 1350 | 1900 |
| 3 contacts | 600 V | | | | | | 550 | 650 | 750 | 900 | 1210 | | 1350 | 1900 |

General

- When selecting a contactor for DC switching it is essential to determine the current, the voltage and the L/R time constant of the controlled load.
- The loads are defined by the time constant L/R: non inductive loads such as resistance furnaces (L/R ≈ 1 ms), inductive loads such as shunt motors (L/R ≈ 2 ms) or series motors (L/R ≈ 7.5 ms).
- In addition to the block contactors shown in this document:
 - 1) ABB also offers bar mounted contactors (R-series). Bar contactors can typically be used for higher amps and voltages or other configurations or number of main poles (contacts).
 - 2) For other DC switching contactors e.g. GA/GAE75 see catalog 1SBC100122C0202.

Technical data

DC contactors GAF and AF

Main Technical data

| IEC60947-4-1 | | GAF185 | | GAF300 | | GAF460 | | GAF750 | | GAF1250 | | GAF1650 | | GAF2050 | |
|--|-----------------|--------|--|-------------------|--|--------|--|------------------------|--|--------------------|--|-------------------------|--|-------------------------|--|
| Contactor type GAF | | | | | | | | | | | | | | | |
| Rated operational voltage U_e max | V DC | | | | | 1000 | | | | | | | | | |
| IEC 60947-4-1, DC-1, $\theta \leq 40$ °C | A | 275 | | 500 | | 700 | | 1050 | | 1250 | | 1650 | | 2050 | |
| Conductor cross-sectional area | mm ² | 150 | | 300 ¹⁾ | | 2x240 | | 2 x 50x8 ²⁾ | | 1000 ³⁾ | | 3 x 100x5 ²⁾ | | 4 x 100x5 ²⁾ | |

¹⁾ For currents above 450 A use 300 mm² and terminal extension / enlargement pieces (LW300: see www.abb.com/lowvoltage or local ABB catalog)

²⁾ Dimension of the bars (mm)

³⁾ Max connection bar width 50 mm

cULus

| Contactor type GAF | | GAF185 | | GAF300 | |
|-------------------------------------|------|--------|--|--------|--|
| Rated operational voltage U_e max | V DC | | | 600 | |
| Amp-ratings general purpose | A | 250 | | 400 | |

General Technical data

| | | GAF185 | | GAF300 | | GAF460 | | GAF750 | | GAF1250 | | GAF1650 | | GAF2050 | |
|---|----|---|-------|--------|-------|--------|-------|--------|-------|---------|--------|---------|--------|---------|--|
| Contactor type | | AF145 | AF185 | AF210 | AF260 | AF300 | AF400 | AF460 | AF580 | AF750 | AF1250 | AF1350 | AF1650 | AF2050 | |
| Rated making capacity DC-1 | | 1.5 x I_e acc. to IEC60947-4-1 | | | | | | | | | | | | | |
| Rated breaking capacity DC-1 | | 1.5 x I_e acc. to IEC60947-4-1 | | | | | | | | | | | | | |
| Rated frequency limits | Hz | 25 ... 400 | | | | | | | | | | | | | |
| Short-circuit protection for contactors without thermal O/L relay - Motor protection excluded | | On request or see www.abb.com/lowvoltage or local ABB catalog | | | | | | | | | | | | | |
| Rated short-time withstand current, I_{sw} | | On request or see www.abb.com/lowvoltage or local ABB catalog | | | | | | | | | | | | | |
| Heat dissipation per pole I_e /DC-1 | W | 13 | 16 | 18 | 25 | 32 | 30 | 42 | 32 | 50 | 80 | 80 | 80 | 125 | |
| Rated impulse withstand voltage, U_{imp} | kV | 8 | | | | | | | | | | | | | |
| Ambient temperature close to contactor - during operation / storage | °C | see "Conditions for use", for control voltage limits and authorized mounting -40 to +70 | | | | | | | | | | | | | |
| Operating altitude | m | ≤3000 without derating | | | | | | | | | | | | | |

Magnet system characteristics

| Rated control circuit voltage U_c | | 48 ... 250 | | 48 ... 500 | | 100 ... 250 | | | | | | | |
|--|------|--|--|------------|--|-------------|--|--------|--|------|--|-------|--|
| - at 50 Hz and 60 Hz | V | | | | | | | | | | | | |
| - d.c. | V | 20 ... 250 | | 24 ... 500 | | 100 ... 250 | | | | | | | |
| Coil operating limits acc. IEC60947-4-1 | | 0.85 x U_c min. ... 1.1 x U_c max. (at $\theta \leq 70$ °C) Please also refer to "Mounting characteristics" | | | | | | | | | | | |
| Drop-out voltage in % of U_c min. | % | 55 | | | | | | | | | | | |
| Coil consumption | | | | | | | | | | | | | |
| Average pull-in value 50 Hz and 60 Hz | VA | 430 | | 470 | | 890 | | 850 | | 850 | | 1900 | |
| d.c. | W | 500 | | 520 | | 990 | | 950 | | 950 | | 1700 | |
| Average holding value 50 Hz and 60 Hz | VA/W | 12/3.5 | | 10/2.5 | | 12/4 | | 12/4.5 | | 12/4 | | 48/17 | |
| d.c. | W | 2 | | 2 | | 4 | | 4.5 | | 4 | | 16 | |
| Operating time coil supply between A1-A2 | | On request or see www.abb.com/lowvoltage or local ABB catalog | | | | | | | | | | | |

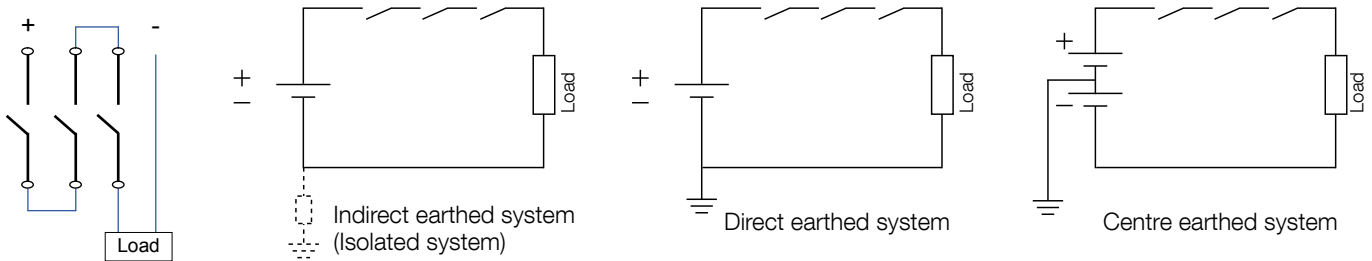
Mounting characteristics

| | | | | | | | |
|--------------------------------------|--|--|--|--------|--|--------|--|
| Mounting positions | | - mounting on a vertical plane: any position with a tilt up to $\pm 30^\circ$ - mounting on a horizontal plane: any position with a tilt up to $\pm 30^\circ$, except up-side down | | | | | |
| Fixing - by screws (not supplied) | | 4 x M5 | | 4 x M6 | | 4 x M8 | |

Connections

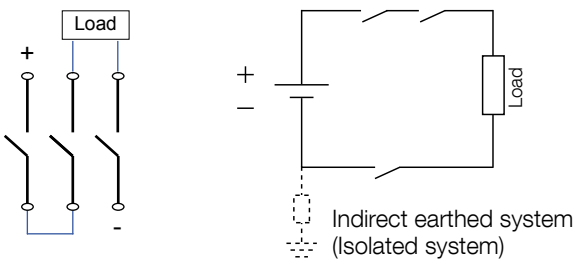
Recommended connection

All three contacts connected in series without the load in between. This connection is recommended in systems according to the configurations below.



Alternative connection

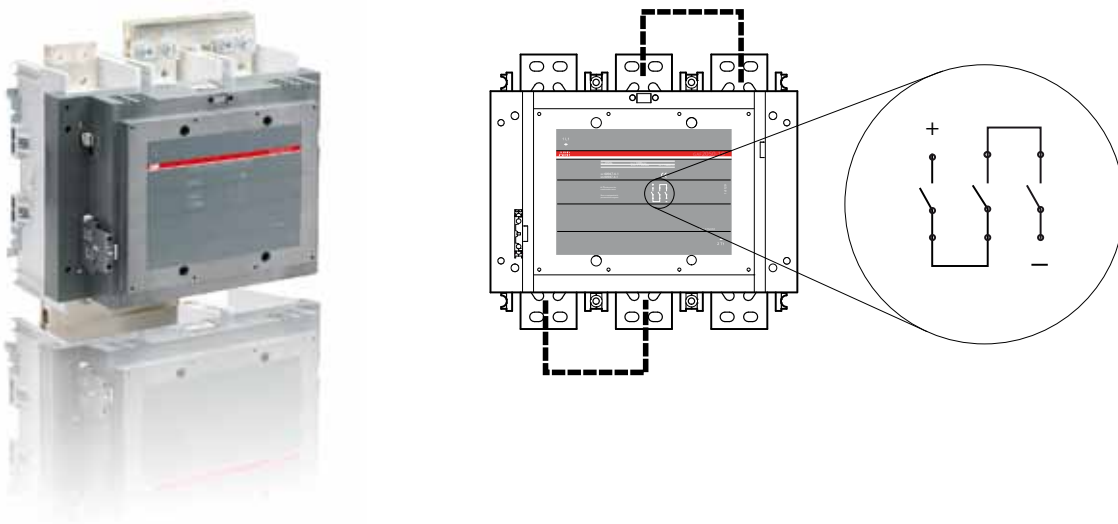
The load is placed in between the three contacts in an indirect earthed system or in a fully isolated system. If not connected according to the configuration below, a fault to earth could result in one or two contacts breaking the full load which the contactor is not approved for.



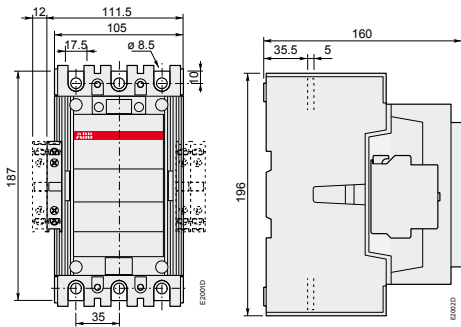
Points to consider

- The above relates to power circuit switching. The SCPD (Short Circuit Protection Device) must comply with applicable protection rules.
- The direction of the current must be as shown on the contactor front label.
- Connection bars for connecting three contacts in series are not delivered with the contactor as standard, but are available as accessories.

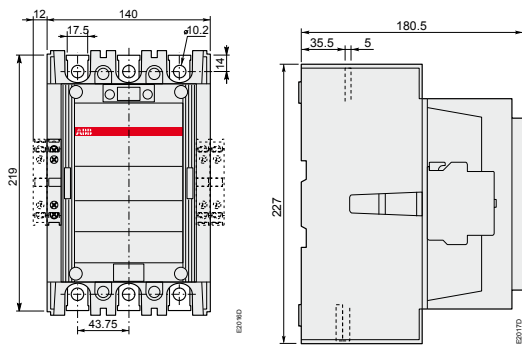
For further information regarding connections see Technical paper.



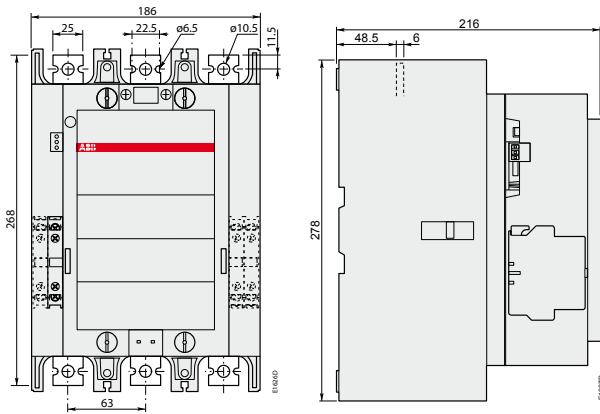
Dimensions



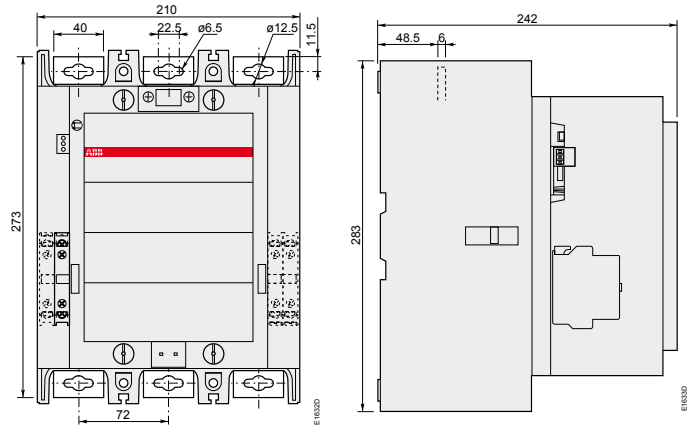
GAF185
AF145, AF185



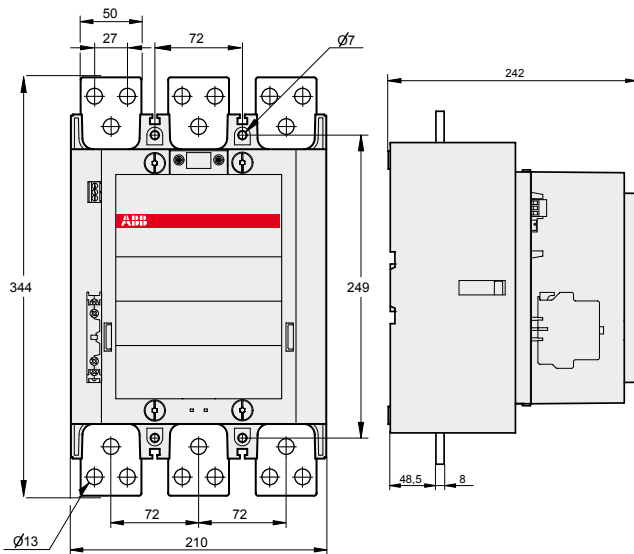
GAF300
AF210 ... AF300



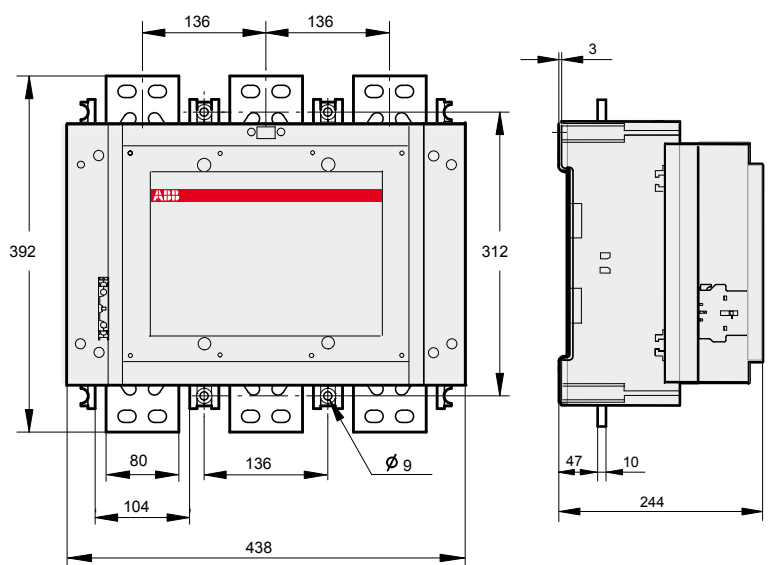
GAF460
AF400, AF460



GAF750
AF580, AF750



GAF1250,
AF1250



GAF1650, GAF2050
AF1350, AF1650, AF2050

Dimensions in mm
Inch converter: 1 mm = 0.0394 in

Contact us

ABB AB

Cewe-Control

SE-721 61 VÄSTERÅS, Sweden

Telephone +46 21 32 07 00

Telefax +46 21 12 60 01

www.abb.com/lowvoltage

©Copyright 2010, All rights reserved.
Specification subject to change without notice.

Brochure 1SFC101004B0201; rev.B; April 2011; Prod. ABB AB; Cewe-Control/XM